

ASSEMBLY INSTRUCTIONS



Fine Furniture for every stage of life

SOFA

REVISION 0: 03/11/2022
REVISION 1: 07/18/2022

PAGE 1 OF 4

ASSEMBLY INSTRUCTIONS

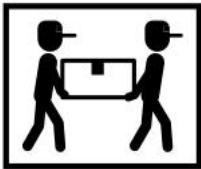
ASSEMBLY TIPS:

- 1.Remove hardware from box and sort by size.
- 2.Please check to see that all hardware and parts are present prior to start of assembly.
- 3.Please follow attached instruction in the same sequence as numbered to assure fast & easy assembly.



WARNING!

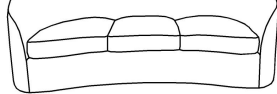

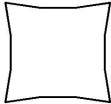
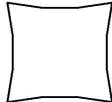
- 1.Don't attempt to repair or modify parts that are broken or defective. Please contact the store immediately.
- 2.This product is for home use only and not intended for commercial establishment.



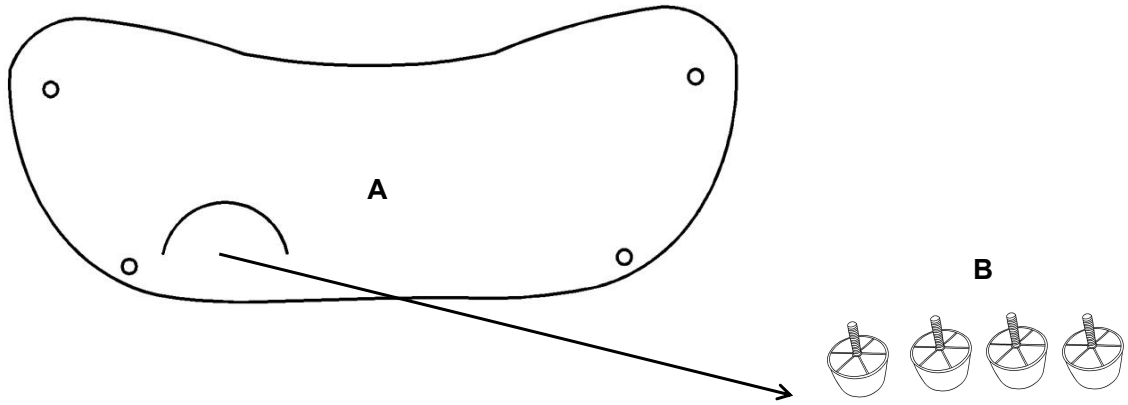
ASSEMBLY TIME

10 MINUTES

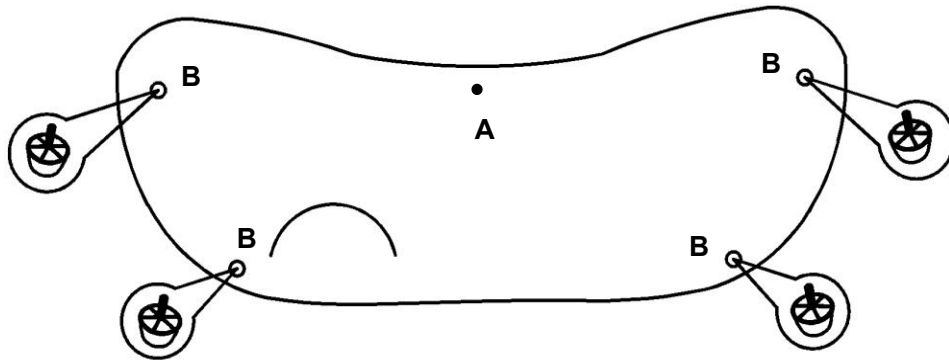
PARTS IDENTIFICATION

| | | | |
|---|------------------|---|------|
| A | SOFA |  | 1PC |
| B | LEG |  | 4PCS |
| C | PLAIN PILLOW |  | 2PCS |
| D | PATTERNED PILLOW |  | 2PCS |

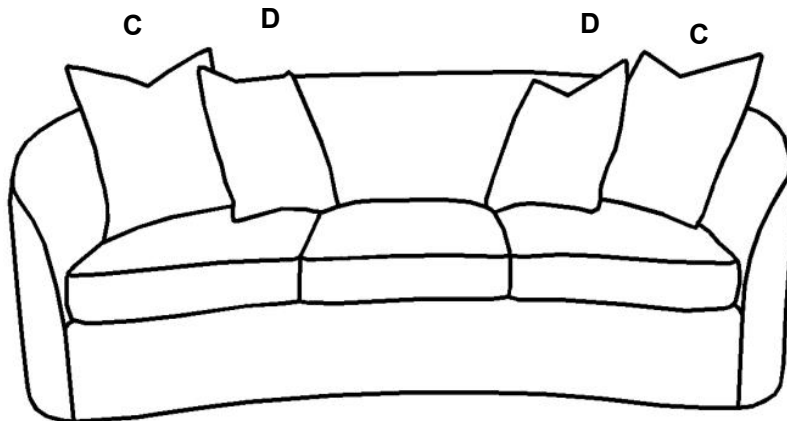
ASSEMBLY INSTRUCTIONS
STEP 1

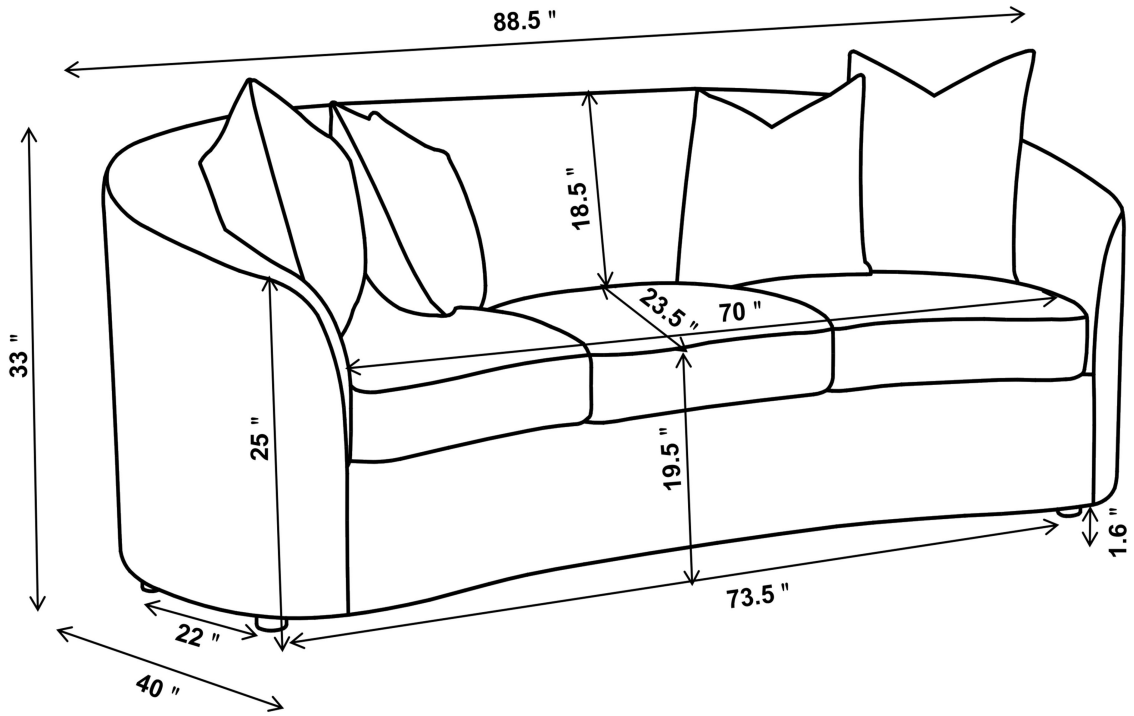


STEP 2

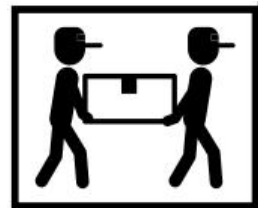


STEP 3





NOTE: Dimension tolerance $\pm 5\%$



ASSEMBLY INSTRUCTIONS



Fine Furniture for every stage of life

LOVESEAT

REVISION 0: 03/11/2022
REVISION 1: 07/18/2022

PAGE 1 OF 4

ASSEMBLY INSTRUCTIONS

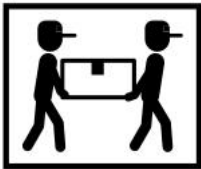
ASSEMBLY TIPS:

- 1.Remove hardware from box and sort by size.
- 2.Please check to see that all hardware and parts are present prior to start of assembly.
- 3.Please follow attached instruction in the same sequence as numbered to assure fast & easy assembly.



WARNING!

- 1.Don't attempt to repair or modify parts that are broken or defective. Please contact the store immediately.
- 2.This product is for home use only and not intended for commercial establishment.



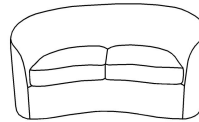
ASSEMBLY TIME

10 MINUTES

PARTS IDENTIFICATION

A

LOVESEAT



1PC

B

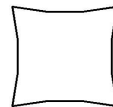
LEG



4PCS

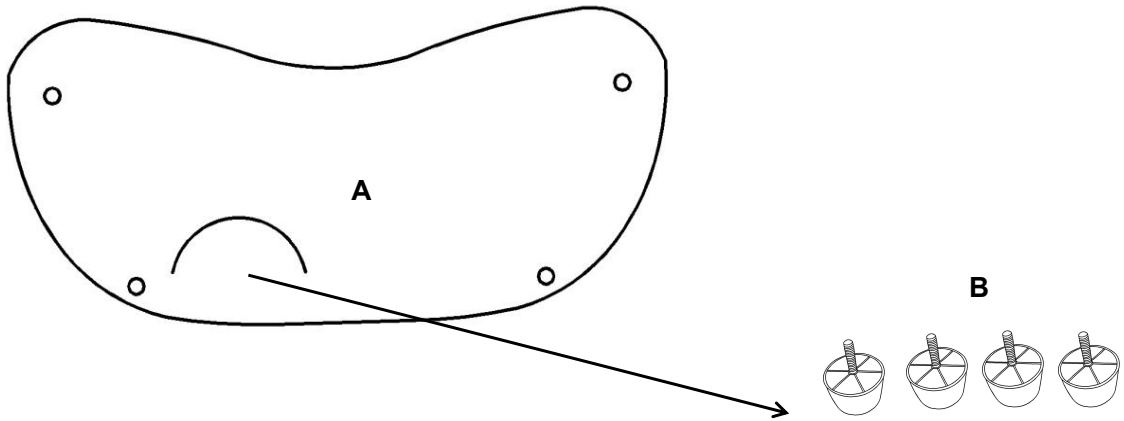
C

PATTERNED PILLOW

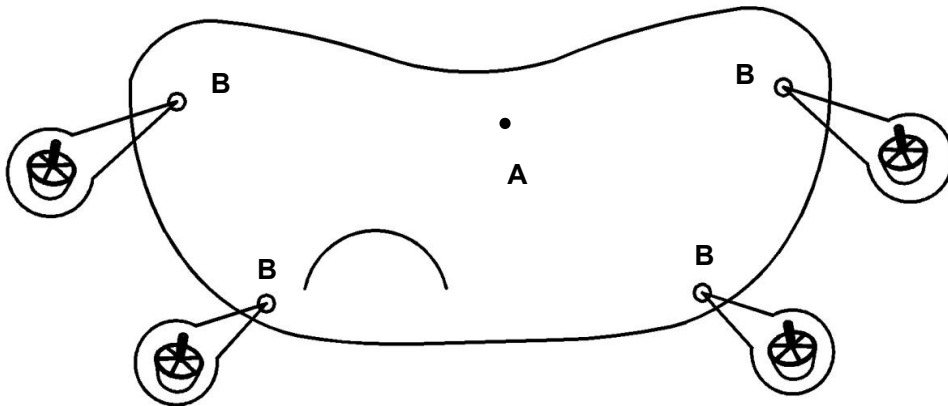


2PCS

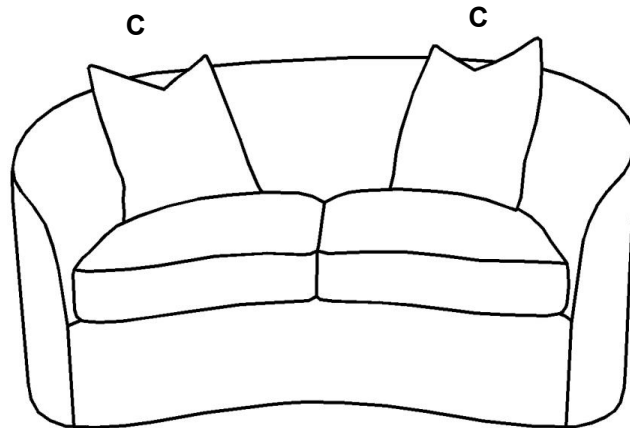
ASSEMBLY INSTRUCTIONS
STEP 1

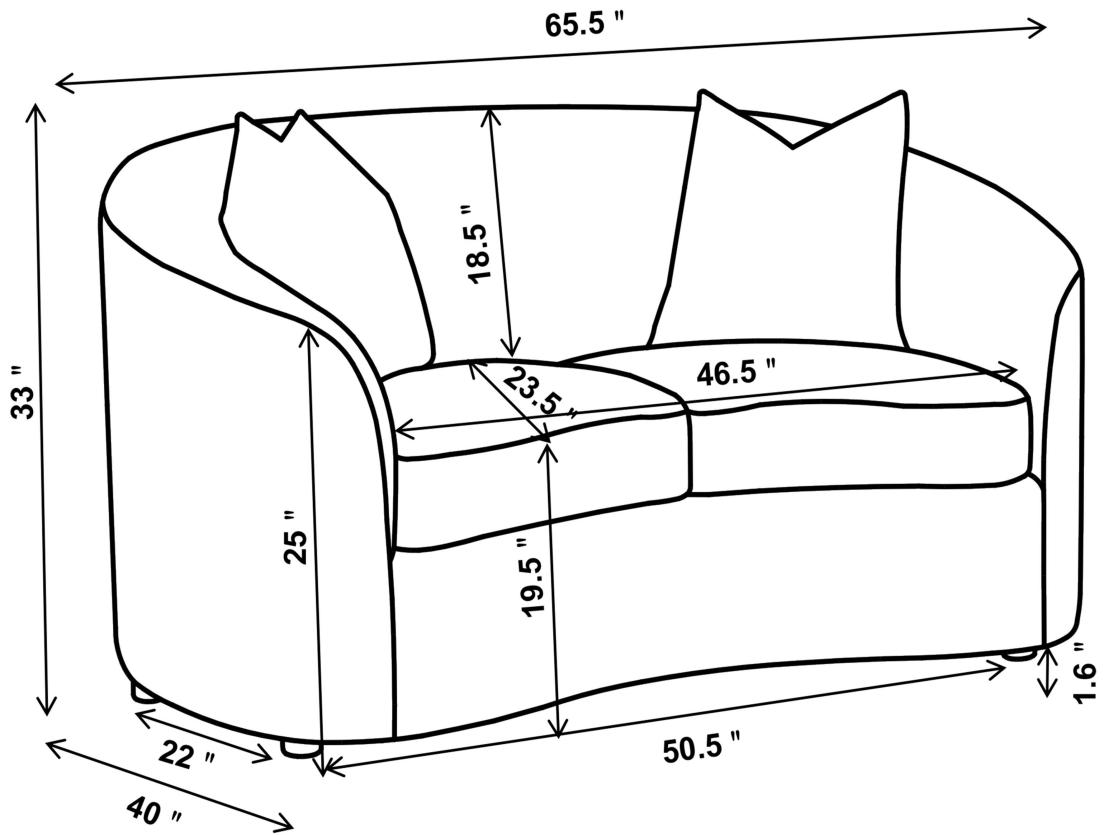


STEP 2

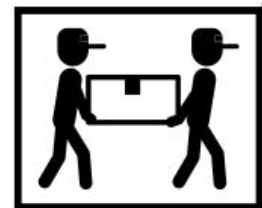


STEP 3





NOTE: Dimension tolerance $\pm 5\%$



ASSEMBLY INSTRUCTIONS



Fine Furniture for every stage of life

CHAIR

REVISION 0: 03/11/2022
REVISION 1: 07/18/2022

PAGE 1 OF 4

ASSEMBLY INSTRUCTIONS

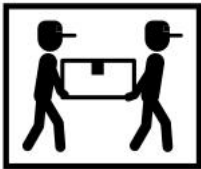
ASSEMBLY TIPS:

- 1.Remove hardware from box and sort by size.
- 2.Please check to see that all hardware and parts are present prior to start of assembly.
- 3.Please follow attached instruction in the same sequence as numbered to assure fast & easy assembly.



WARNING!



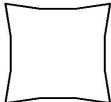
- 1.Don't attempt to repair or modify parts that are broken or defective. Please contact the store immediately.
- 2.This product is for home use only and not intended for commercial establishment.



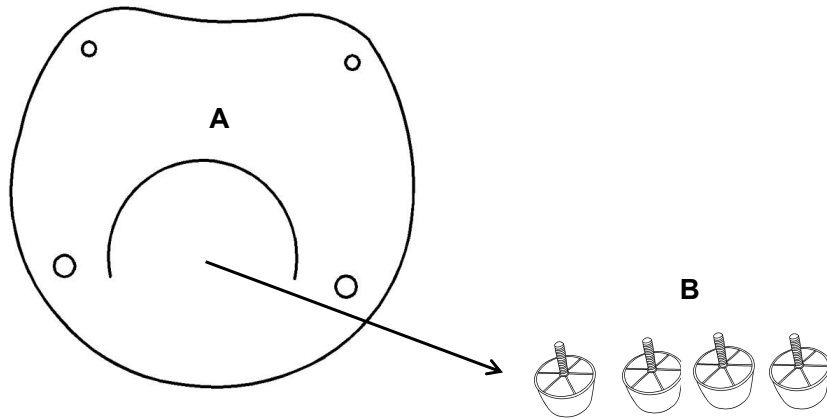
ASSEMBLY TIME

10 MINUTES

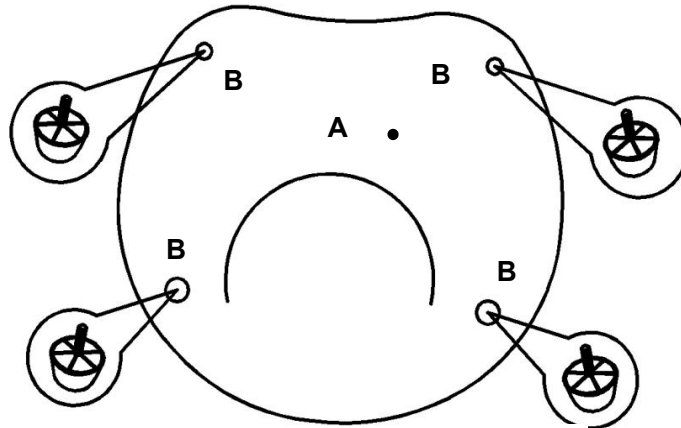
PARTS IDENTIFICATION

| | | | |
|---|------------------|---|------|
| A | CHAIR |  | 1PC |
| B | LEG |  | 4PCS |
| C | PATTERNED PILLOW |  | 1PC |

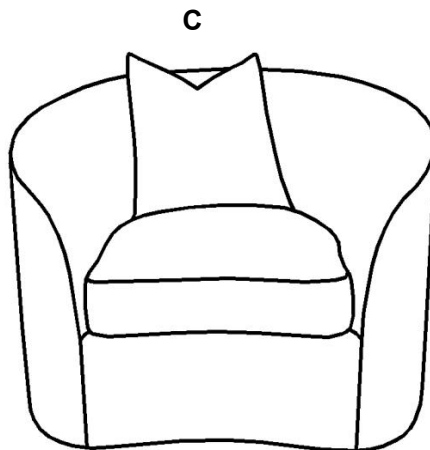
ASSEMBLY INSTRUCTIONS
STEP 1

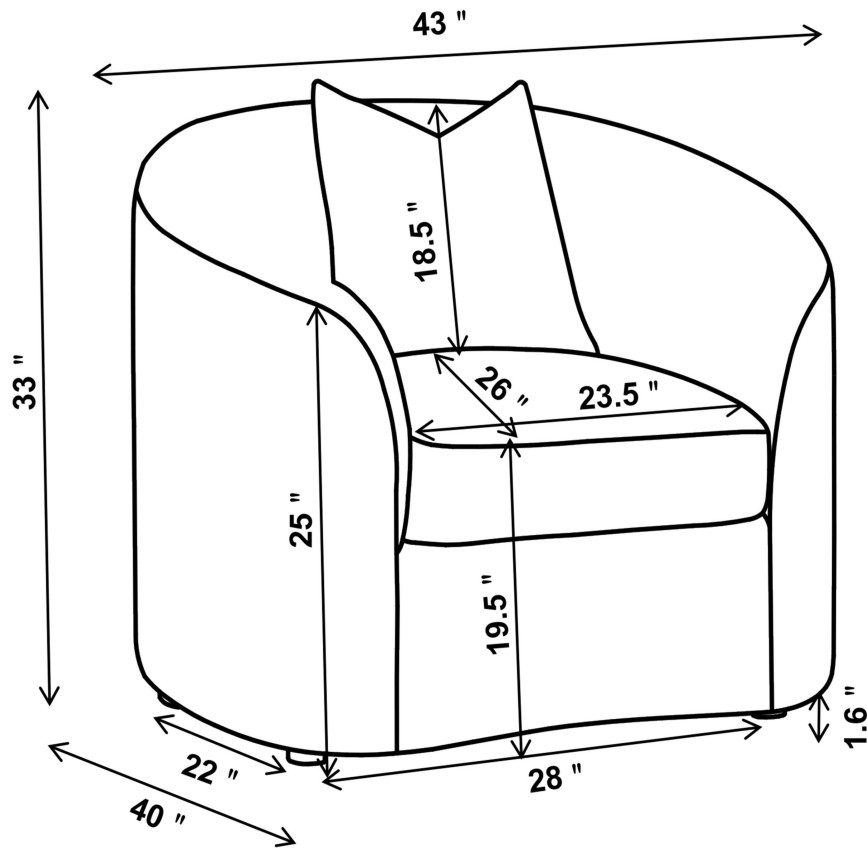


STEP 2



STEP 3





NOTE: Dimension tolerance $\pm 5\%$

