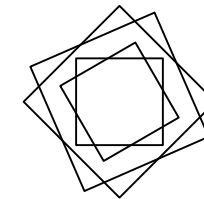
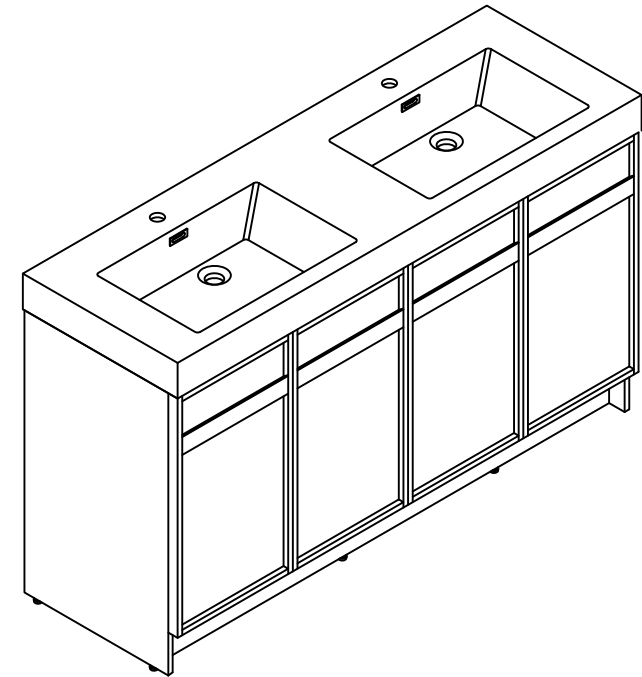


Installation Manual

THANKS FOR WATCHING


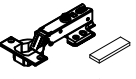

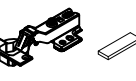

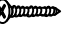




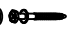




Your feedback is invaluable to us and we would love to hear about your experience. Please take the time to leave us a review.



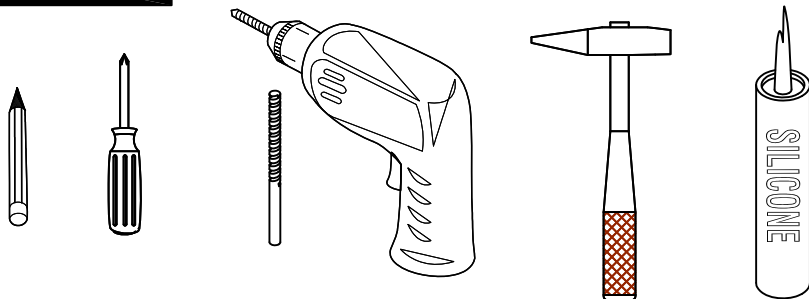
Thank you for shopping with us!

We encourage you to take a few minutes to go through this booklet. It contains important information on installation and care tips to keep your furniture looking as good as new.

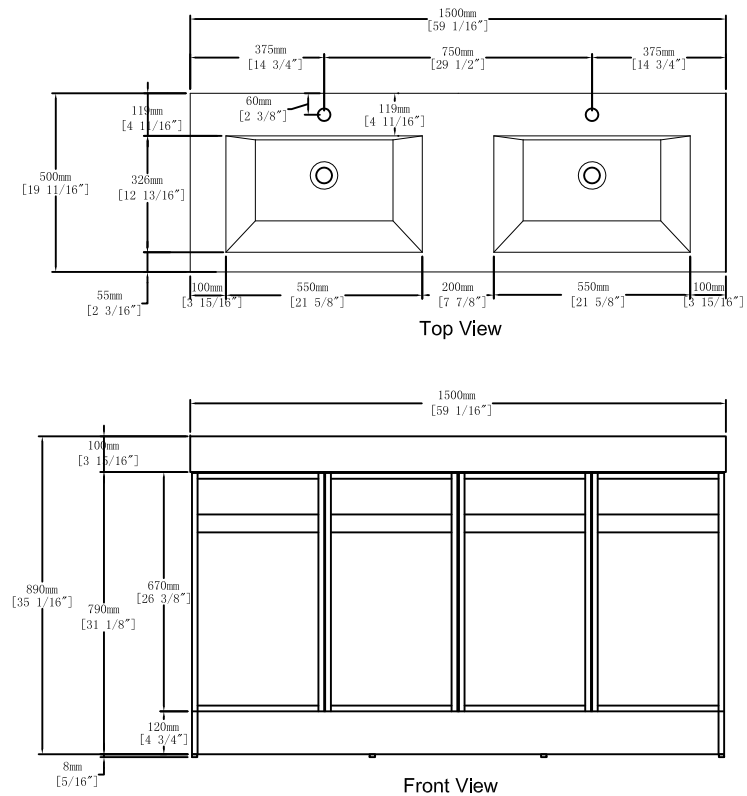
Hardware

NO.	Draw	QTY	NO.	Draw	QTY
A	 Screws Ø4x14mm	68	I	 Hinges (Full cover) - 40 cups	4
B	 Two-in-one connector	33	J	 Hinges (Half cover) - 40 cups	4
C	 Two-in-one connector	33	K	 Screws Ø4x25mm	1
D	 Wood plug	5	L	 Movable laminate support	8
E	 Plastic anchor(Ø10mm)	2	M	 Adjustable feet	6
F	 Screws for fix on the wall	2	N	 Anti-collision gasket	8
G	 Bracket (53x70x44mm)	2	O	 Screwdriver	1
H	 Bracket (19x19x35mm)	2			

Recommended tools



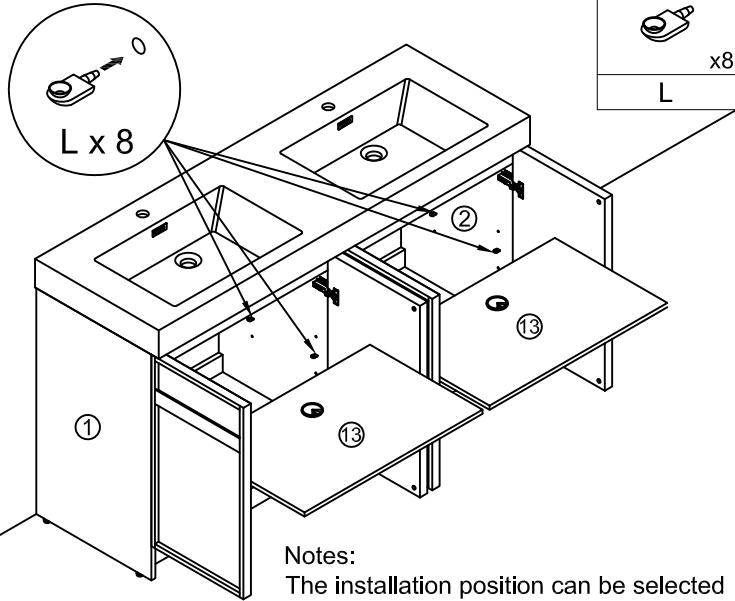
Dimensions



CARE CLEANING AND MAINTENANCE

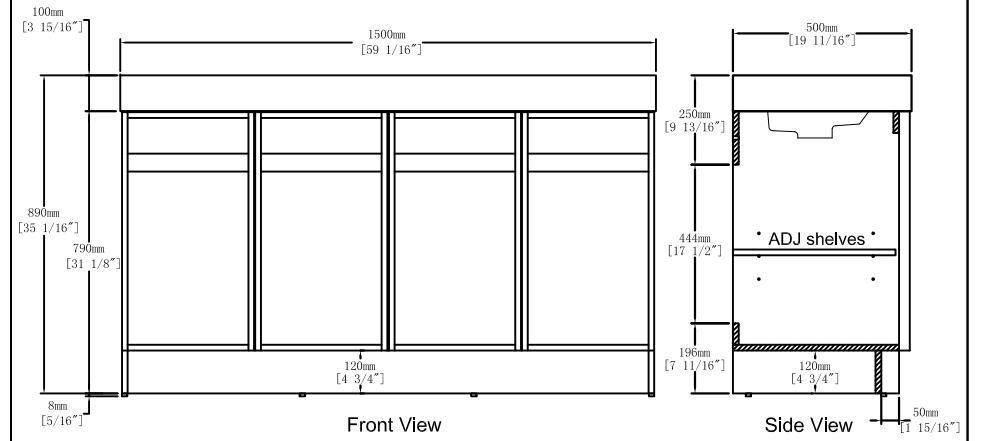
1. Dust regularly with a soft , dry cloth.
2. Avoid the use of all chemicals household cleaners, abrasives, or cleaners that contain lemon, vinegar, or other acids that may damage the finish.
3. Excessive exposure to sunlight and extreme changes in temperature and moisture can damage wood furniture.
4. The sink is fragile, please pay attention to maintaining its appearance.
5. Do not place hot appliances, such as curling irons and hot hair dryers directly on the countertop. Wipe spills immediately.

Step 14

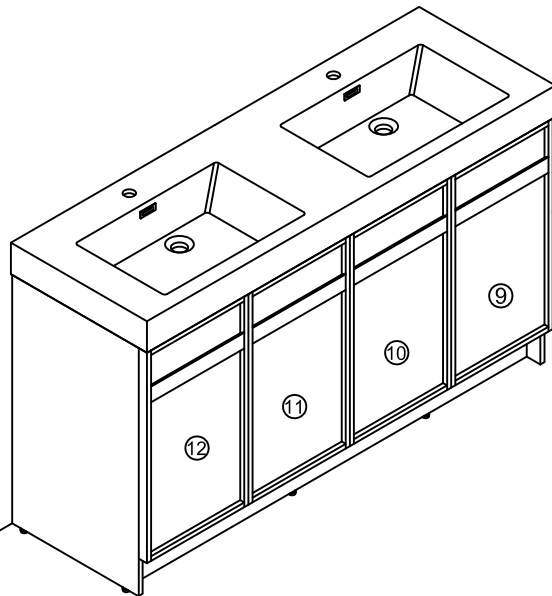


Notes:
The installation position can be selected according to the required height.

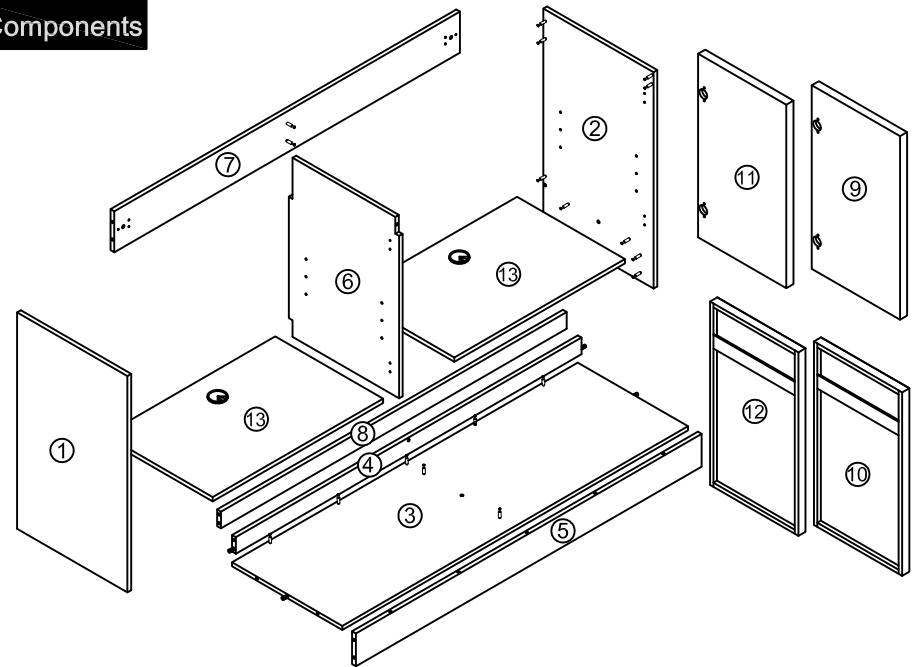
Dimensions

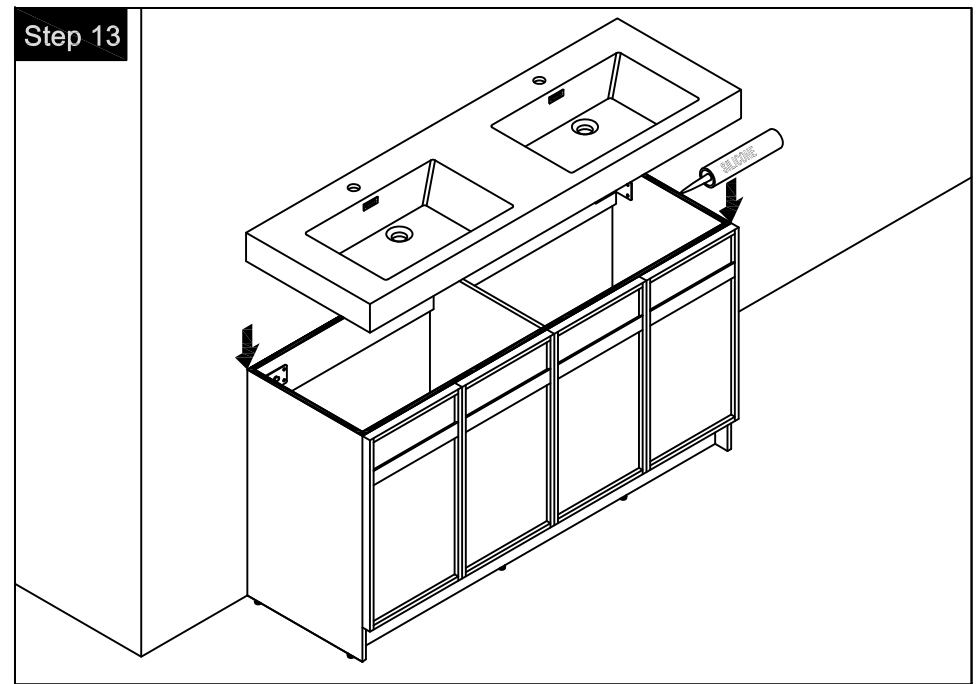
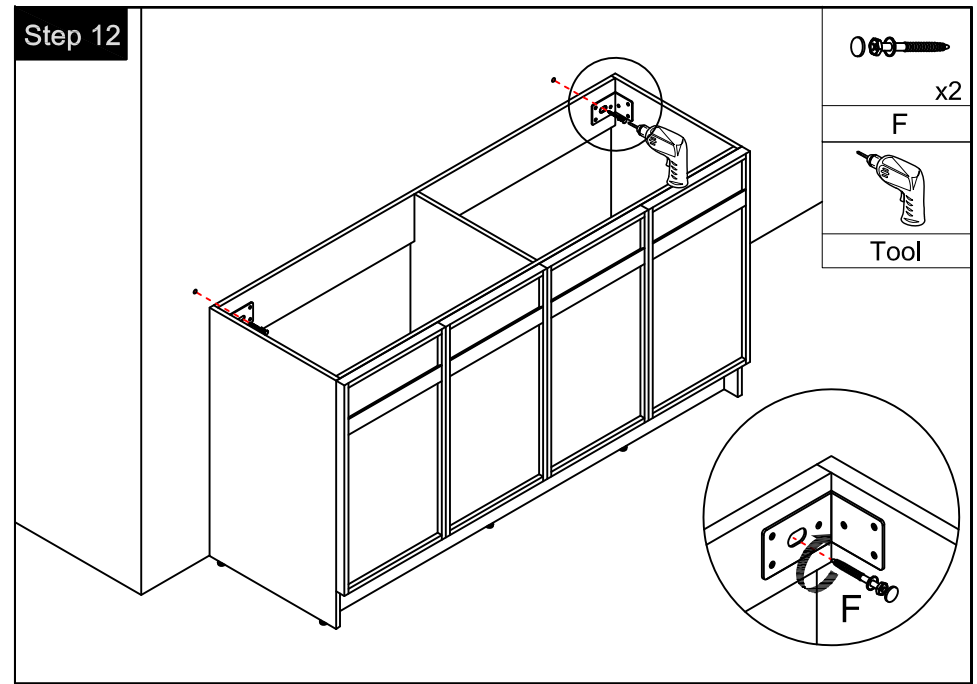
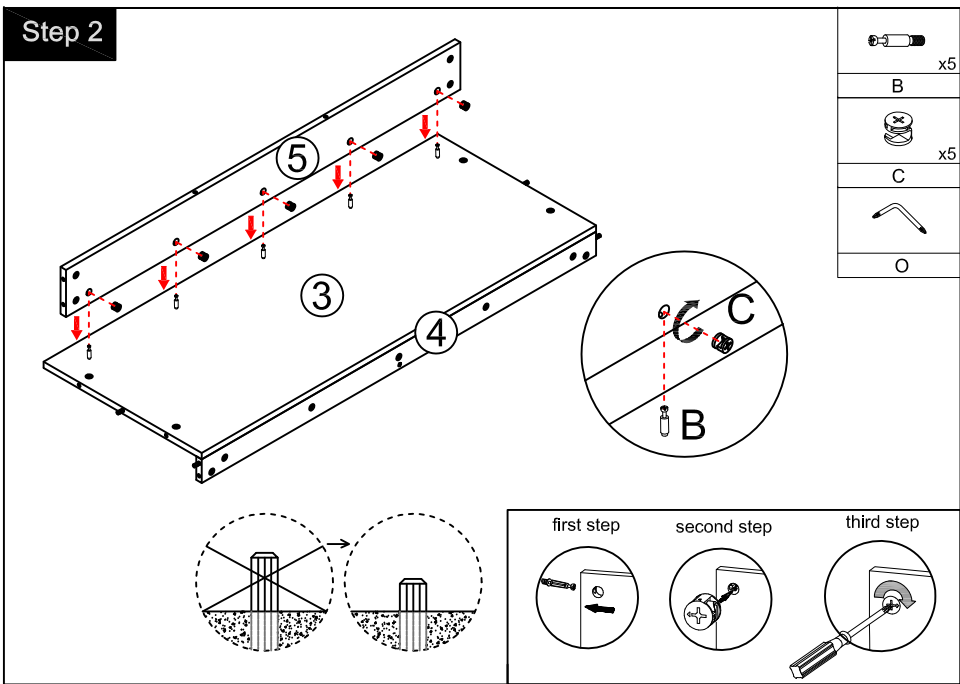
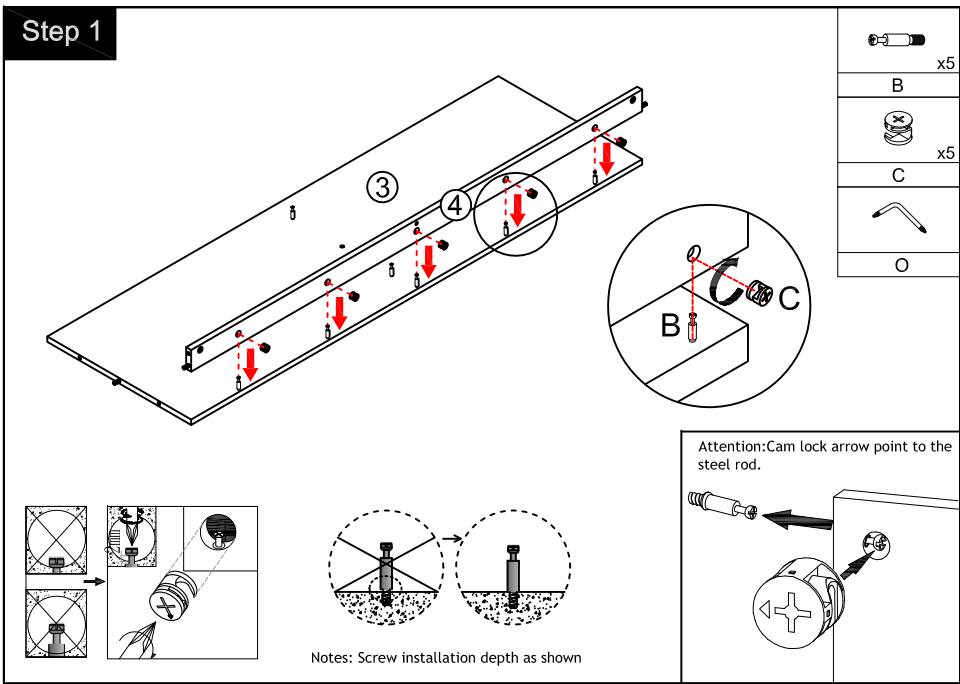


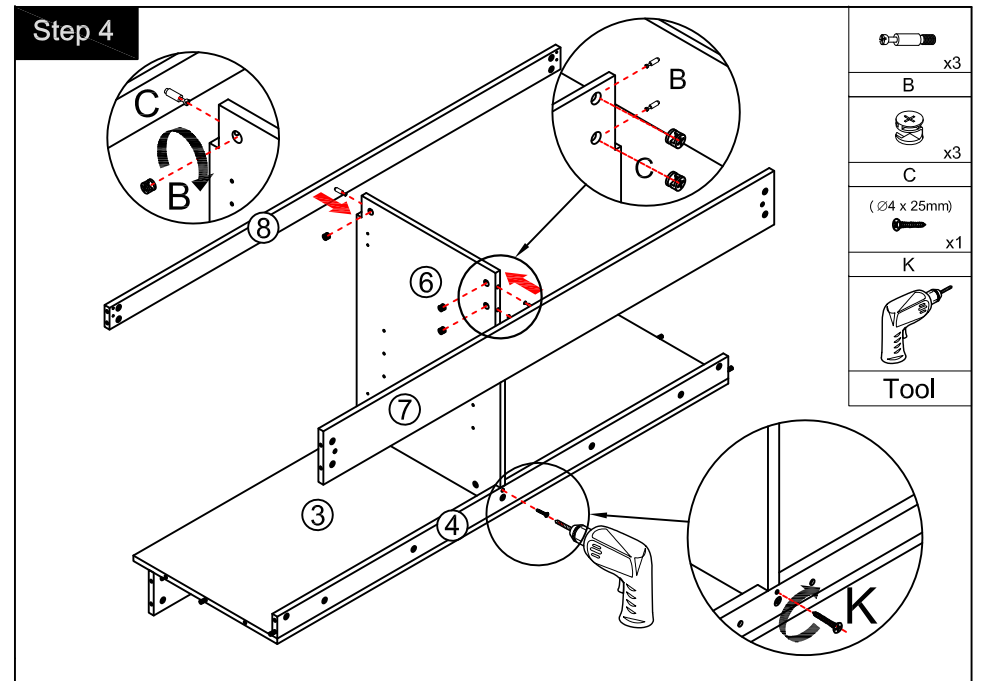
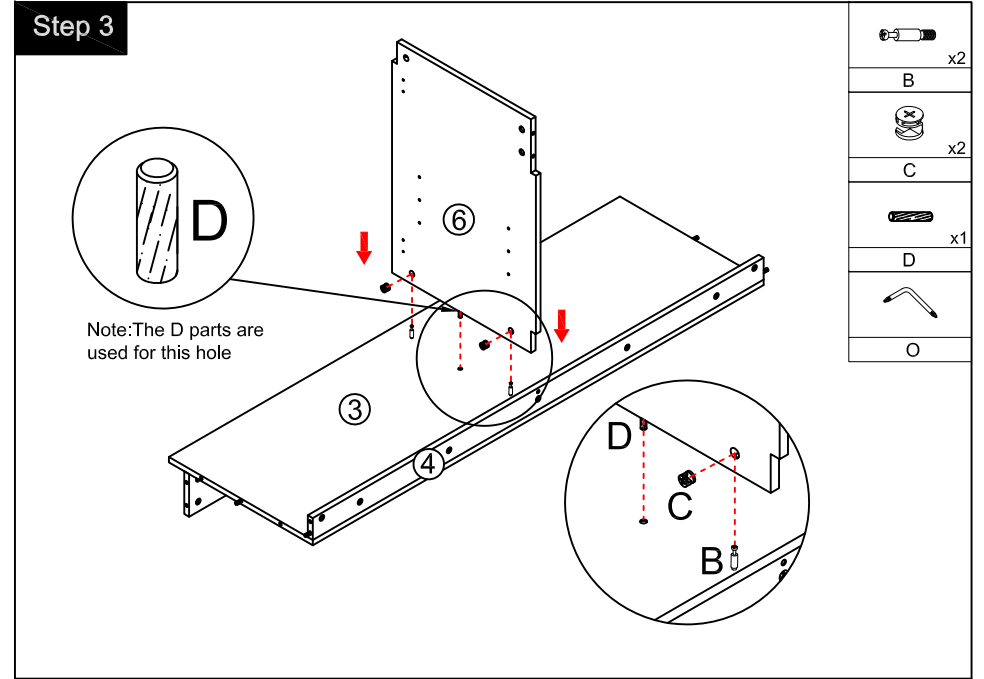
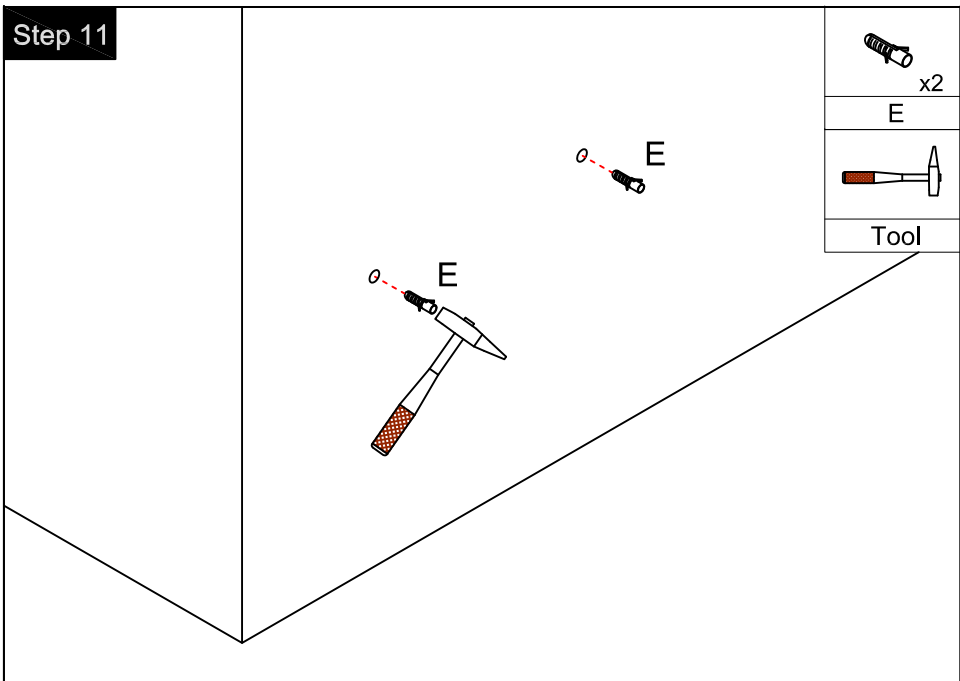
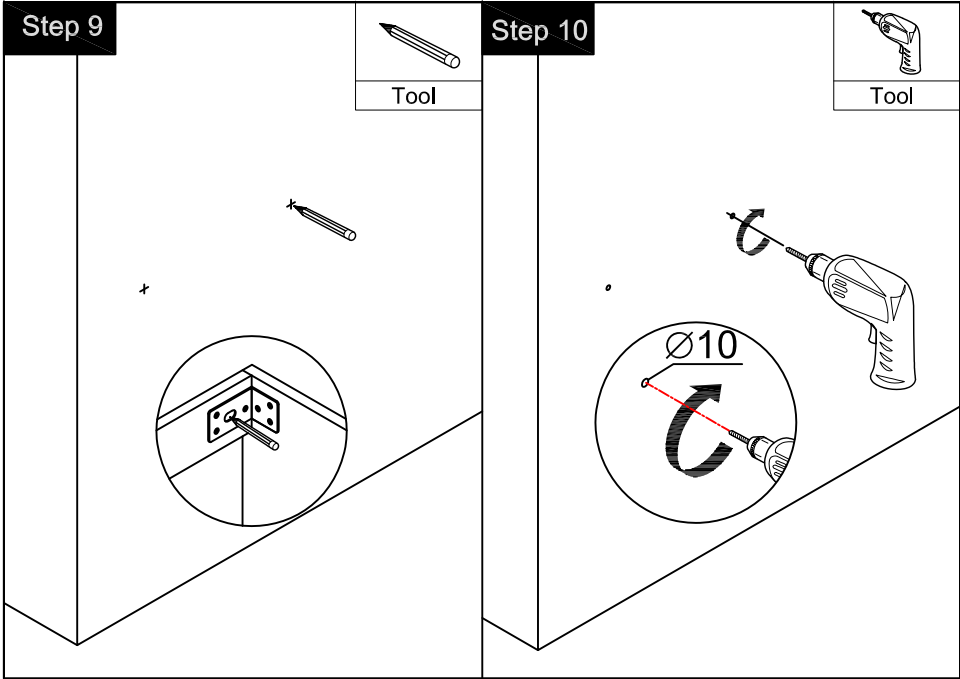
Finished



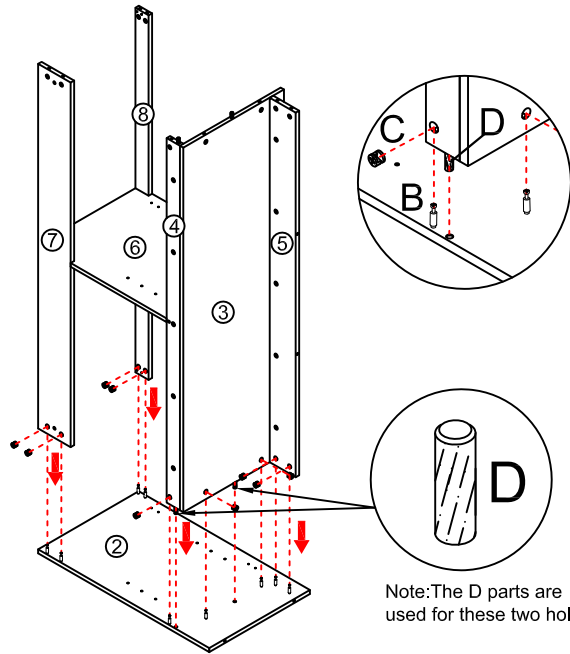
Components







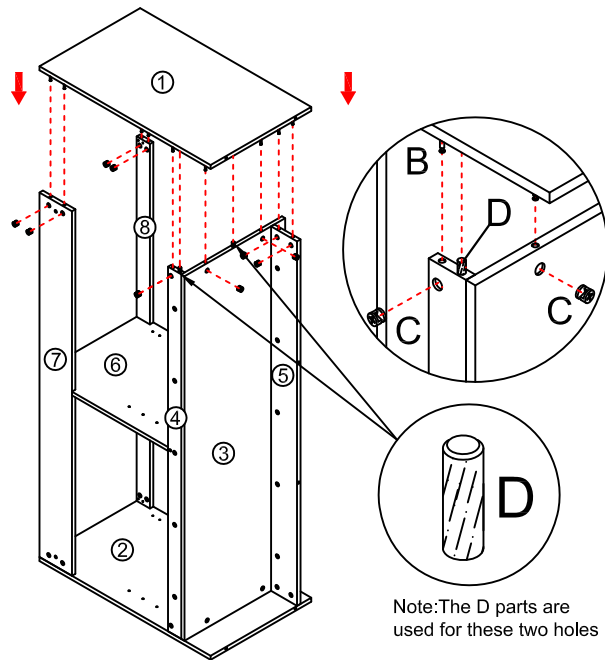
Step 5



	x9
B	
	x9
C	
	x2
D	
O	

Note: The D parts are used for these two holes

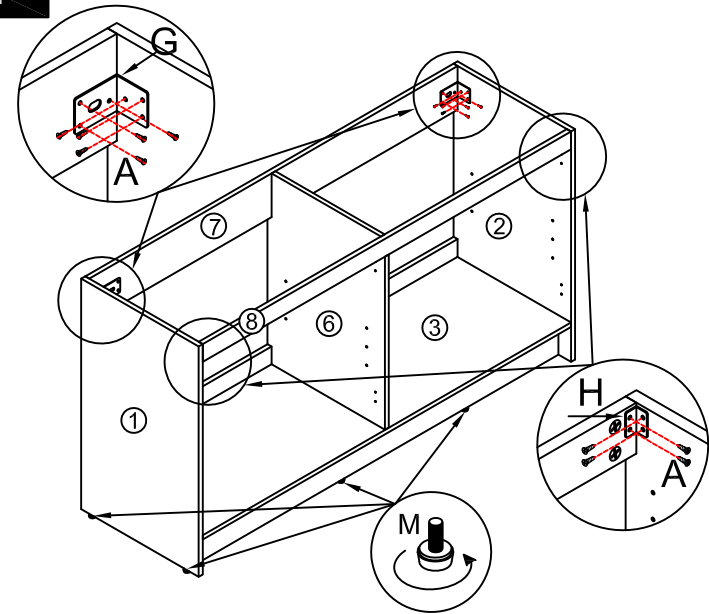
Step 6



	x9
B	
	x9
C	
	x2
D	
O	

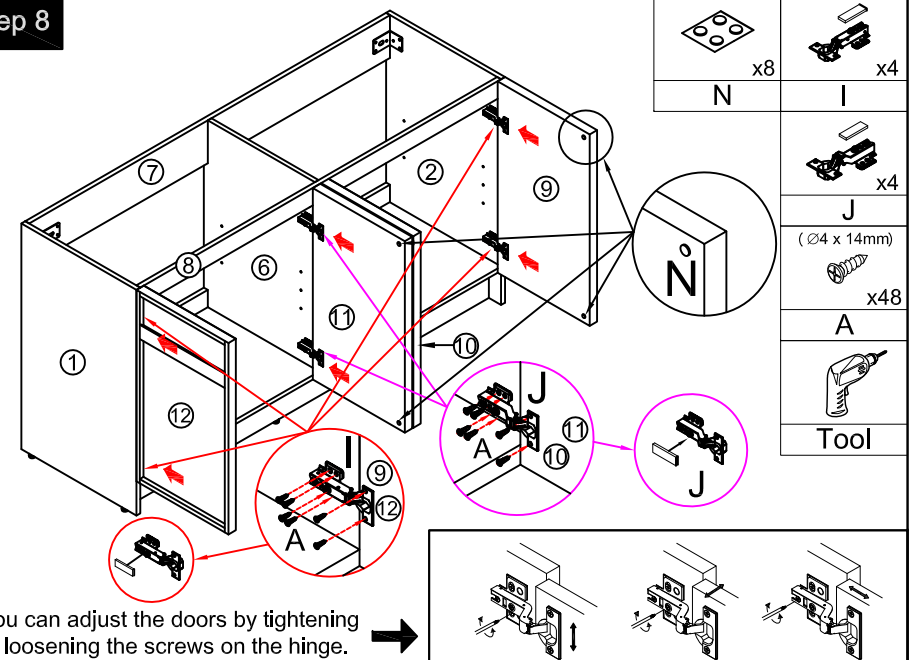
Note: The D parts are used for these two holes

Step 7



	x2
G	
	x2
H	
	($\varnothing 4 \times 14\text{mm}$) x20
A	
	x6
M	
O	
Tool	

Step 8



	x8
N	
	x4
I	
	x4
J	
	($\varnothing 4 \times 14\text{mm}$) x48
A	
O	
Tool	

You can adjust the doors by tightening or loosening the screws on the hinge.