

Rotating Bookshelf Installation Instructions

A*1	B*4
C*4	D*4
E*4	F*4
G*4	H*2
I*2	J*2
a*4	b*8
c*1	K*2

M6*30mm

M4*22mm

1

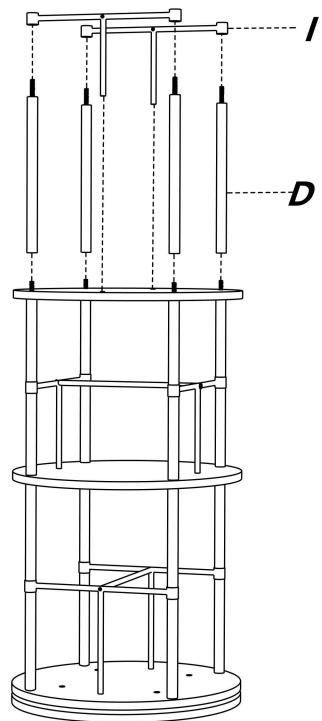
2

3

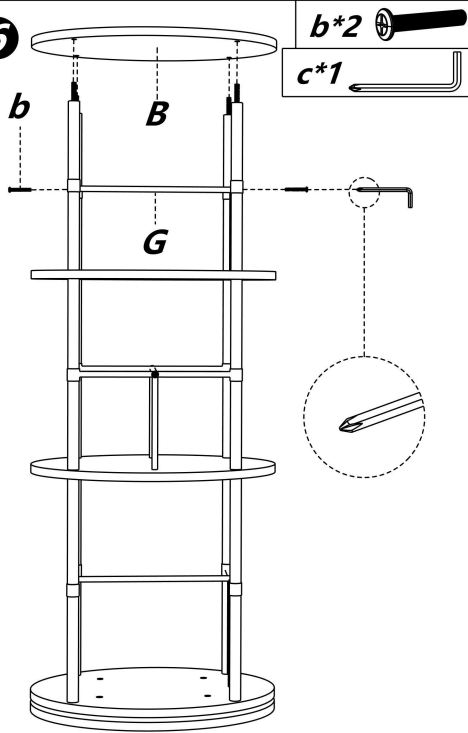
4

1/4 **2/4**

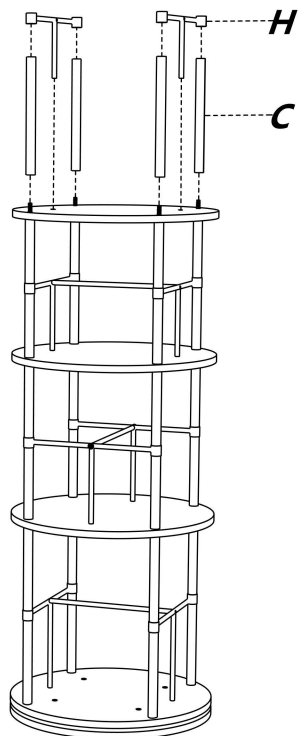
5



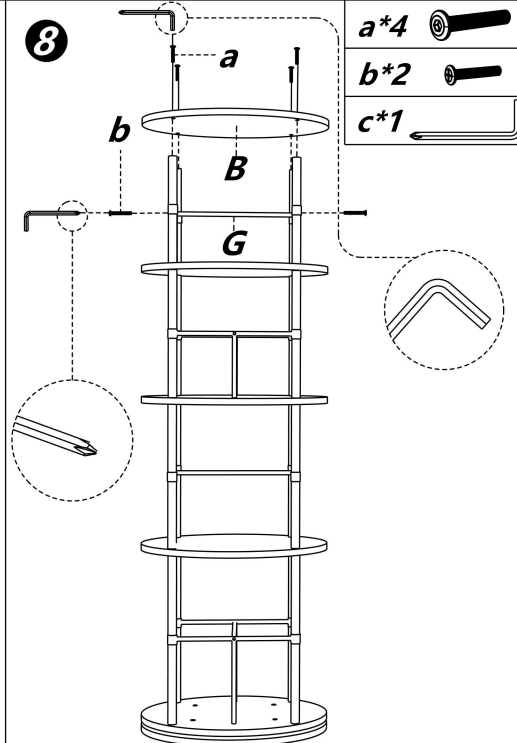
6



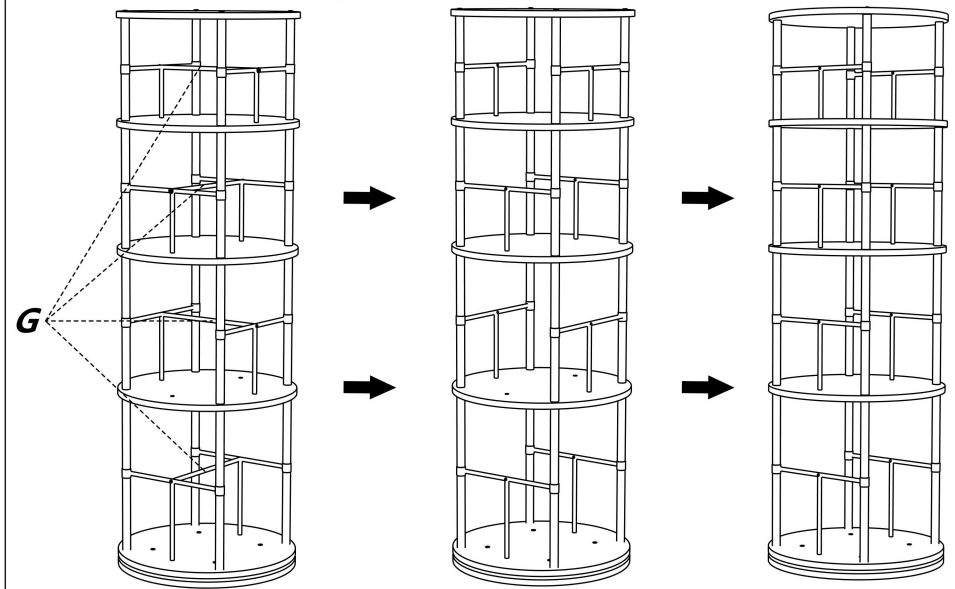
7



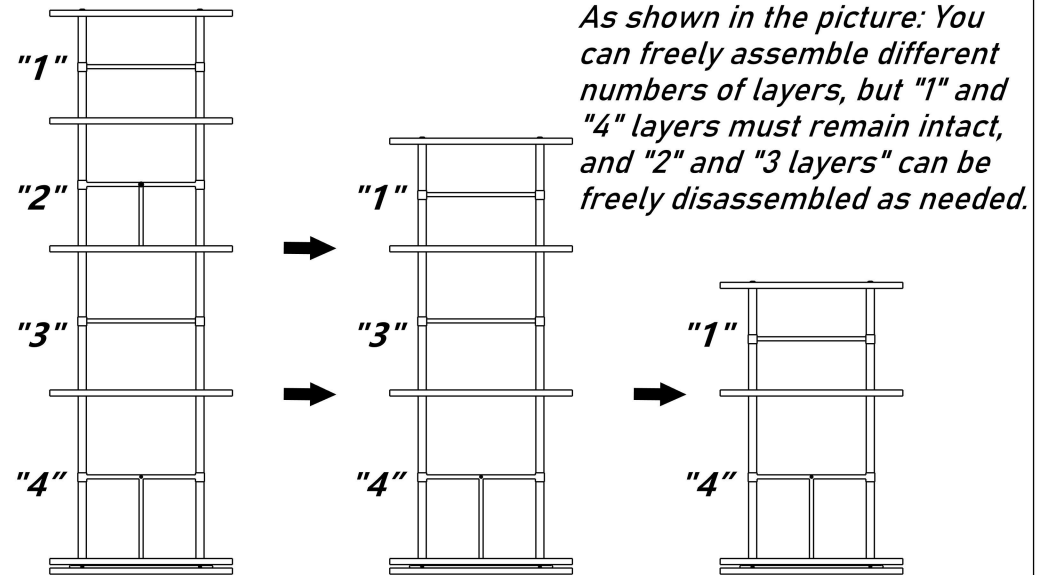
8



More ways to use it



Pictured: remove the "G" and you get a large platform to store your items. The side fittings and plate orientation can also be adjusted to your liking to make it look just the way you like it.



As shown in the picture: You can freely assemble different numbers of layers, but "1" and "4" layers must remain intact, and "2" and "3" layers can be freely disassembled as needed.