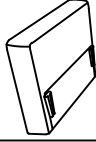
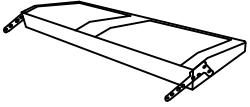
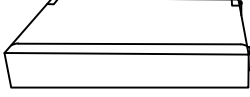
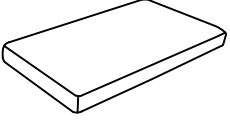
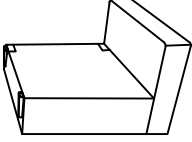
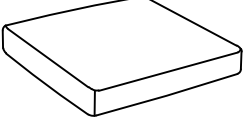
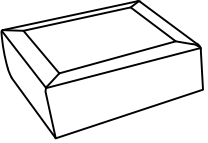
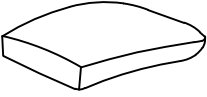
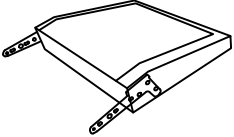
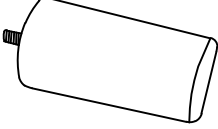


Assembly instructions

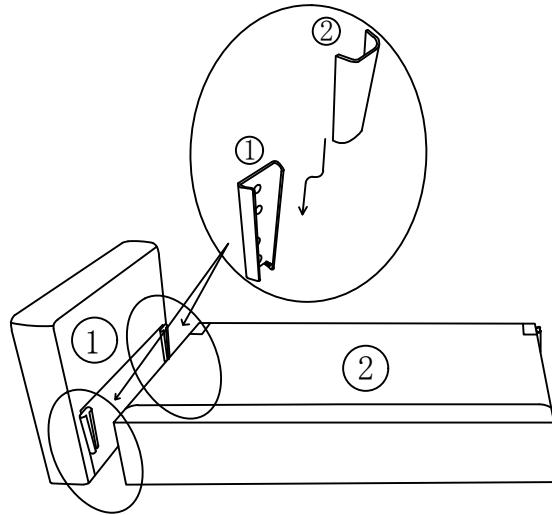
Parts

NO.	DESCRIPTION	PICTURE	QTY	NO.	DESCRIPTION	PICTURE	QTY
1	Left arm		1	6	Left Back		1
2	Mid Seat		1	7	Mid Seat		1
3	Right Seat		1	8	Seat		2
4	Ottom Seat		1	9	Back		3
5	Right Back		1	10	Leg		10

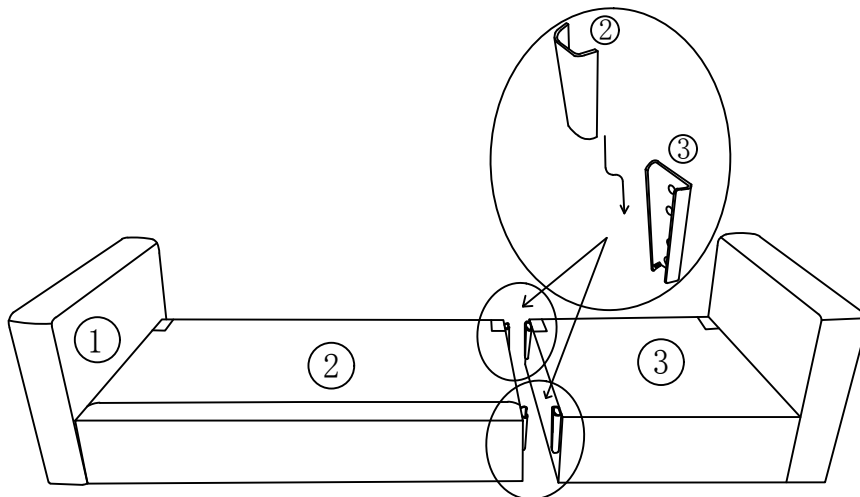
Assembly step

1, Take the seats and Backs from the Seat bottom.

2, Insert the middle seat into the armrest

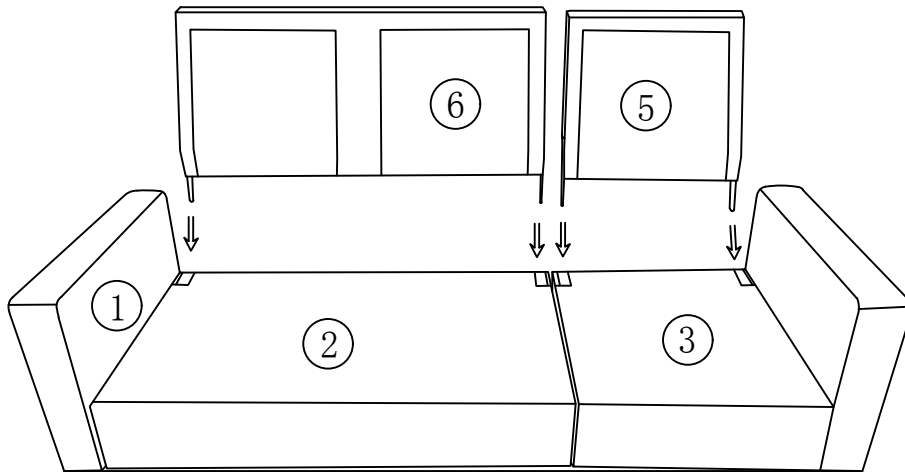


3, Insert the middle seat into the right seat

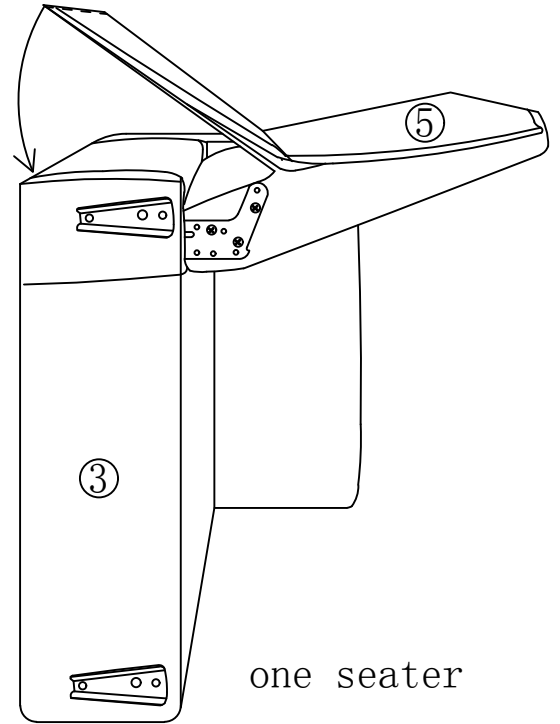
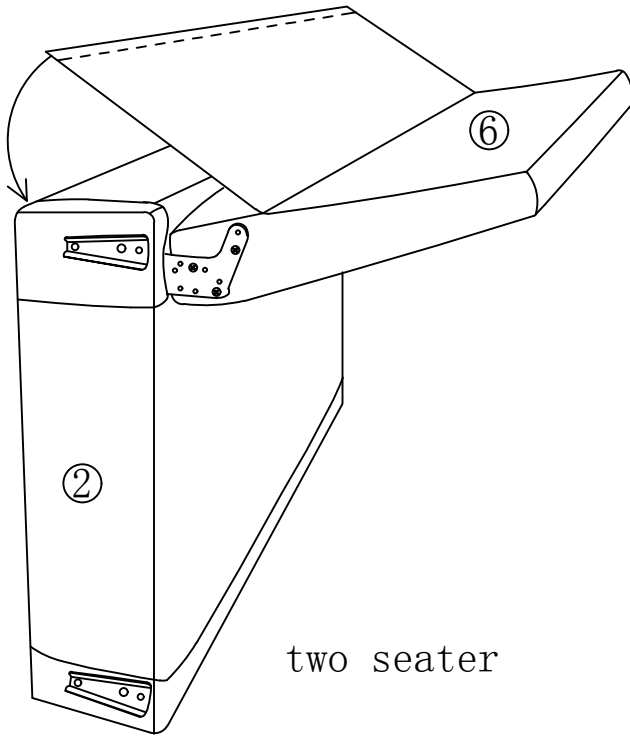


Assembly instructions

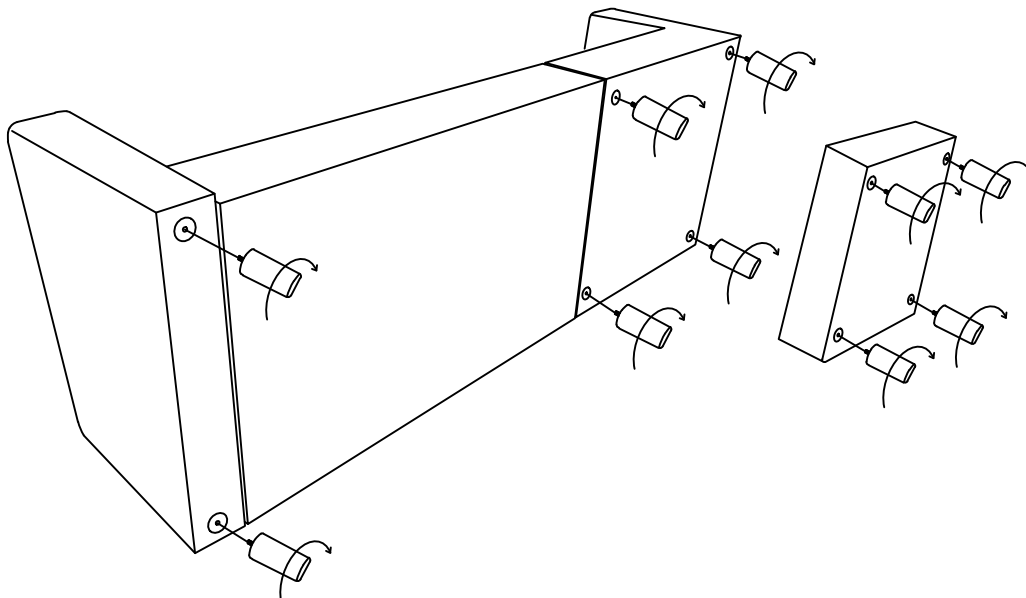
4, Plug the Back in the Seat.



5, Paste the velcro at the end of the fabric connected behind backrest into the corresponding velcro at the bottom of the seat frame. One seater and two seater do the same thing.

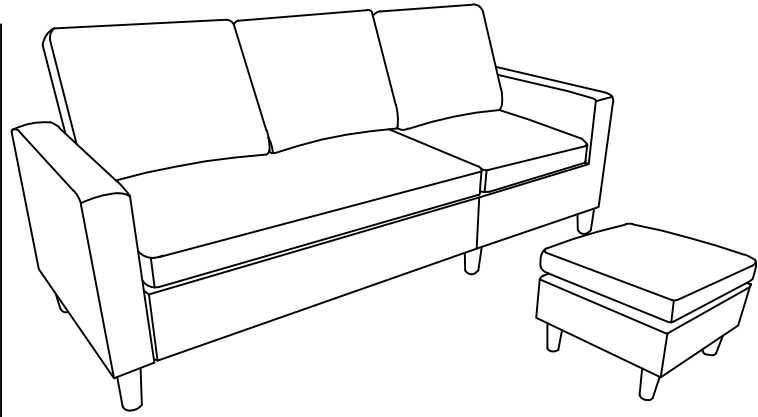
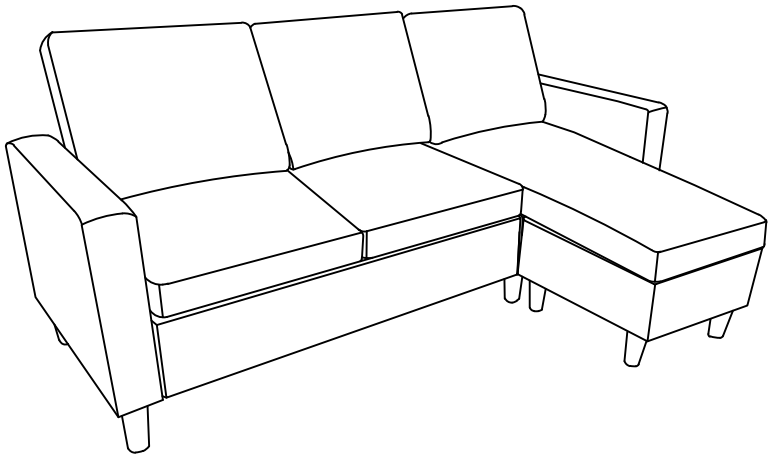


6, Make the sofa turn back, Screw the Leg by hand.

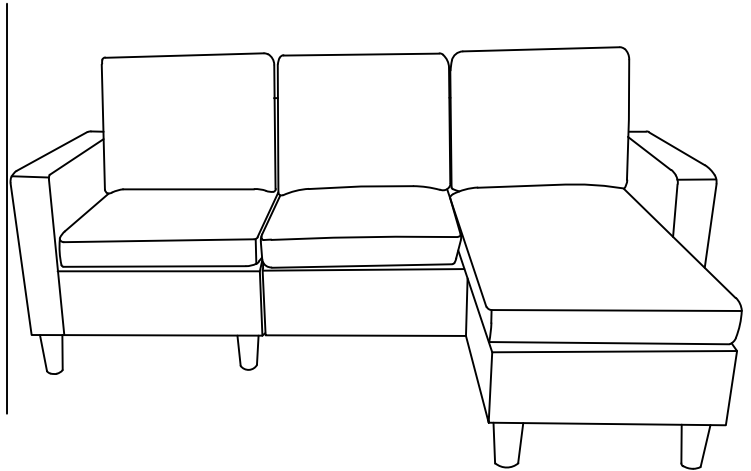
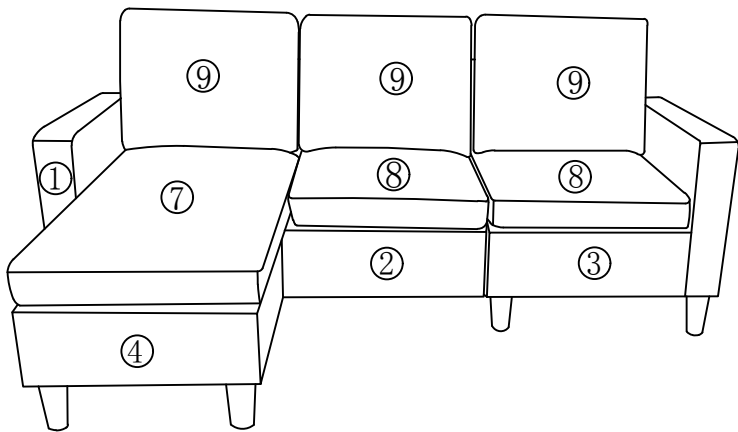


Assembly instructions

7, Take the Backs and Seats to the sofa,
The assembly is complete.

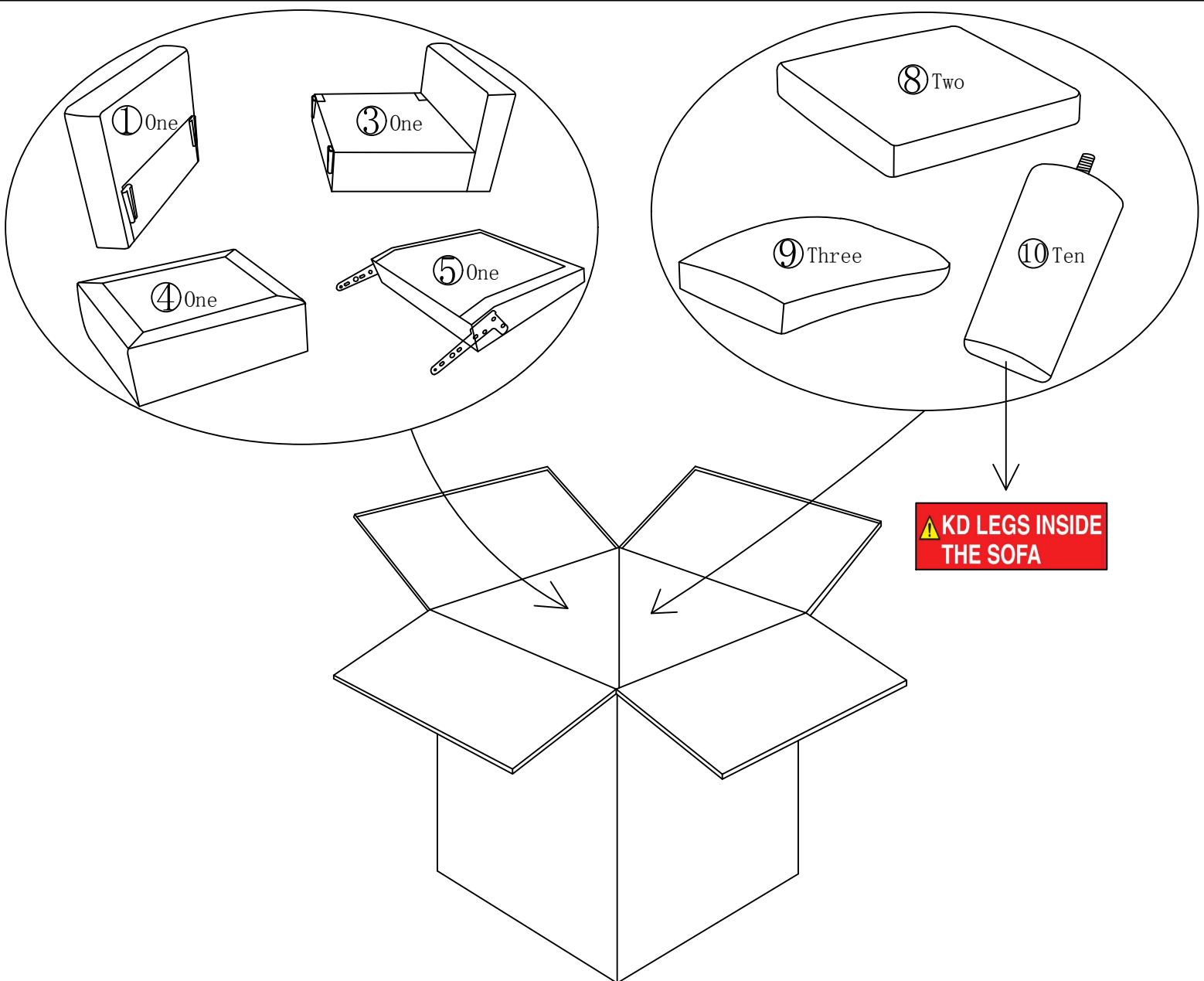


8, The seats can be put it in a different way.

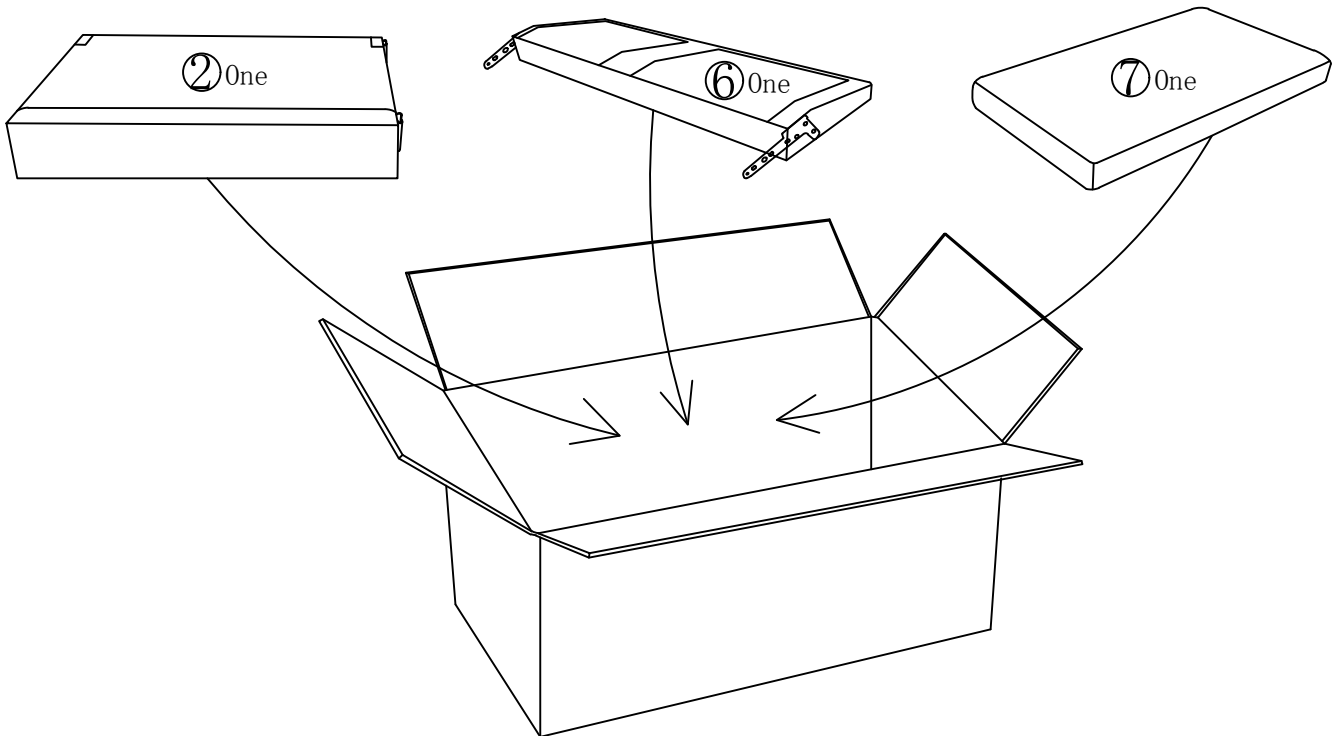


Note: Compressed back cushion and seat cushion
should be recovered 72 hours after opening.

Packing instruction



CORNER SOFA WITH STOOL-1 SEATER WITH STOOL (1/2)



CORNER SOFA WITH STOOL- 2 SEATER (2/2)