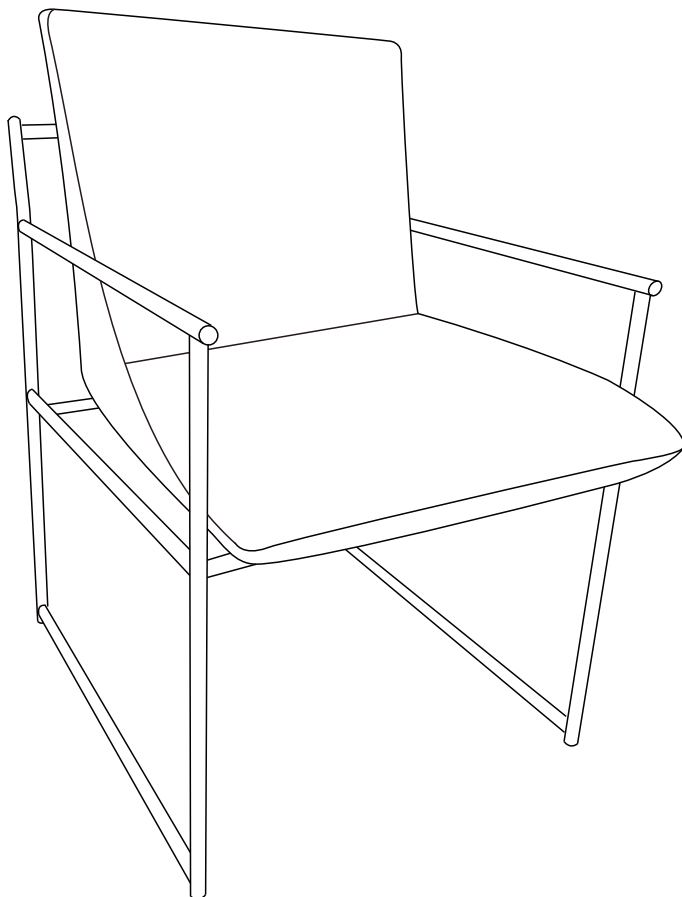

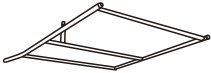
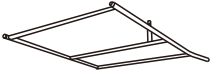


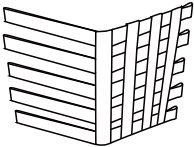


ASSEMBLY INSTRUCTION


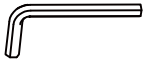
Diningchair
WS-6261

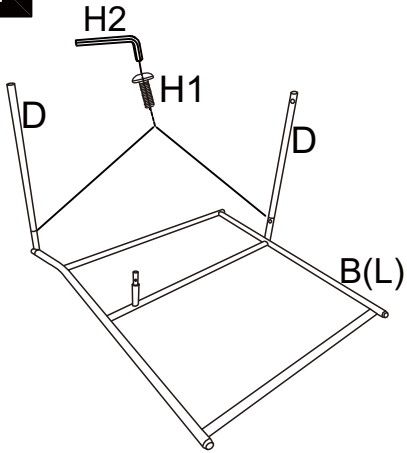


Component List

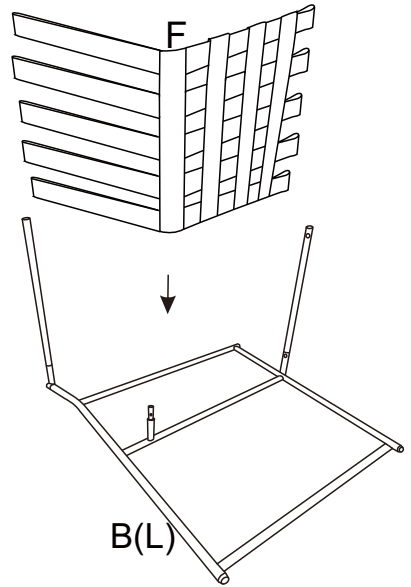
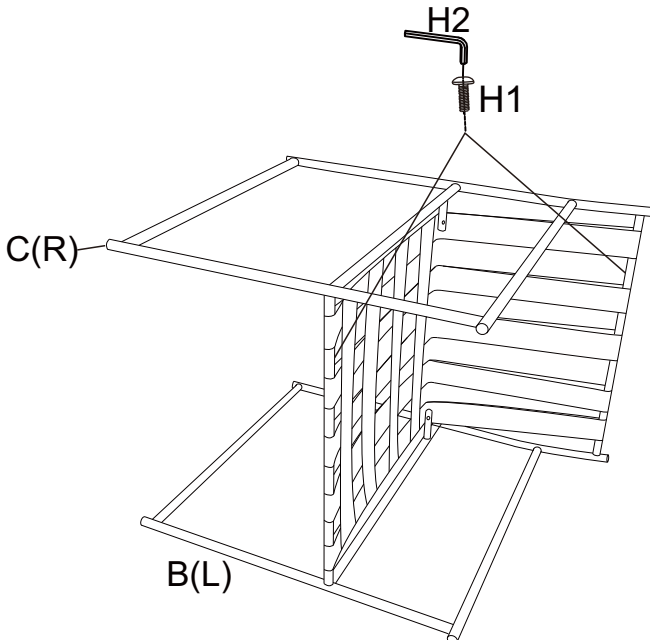
LABEL		DESCRIPTION	QTY
A		Seat	1
B		Handrail (L)	1
C		Handrail (R)	1
D		Crosspiece	2
E		Middle seat	1
F		Bandage	1

Hardware List

LABEL		DESCRIPTION	QTY
H1		Blots M6×14mm	6
H2		Allen key M6	1

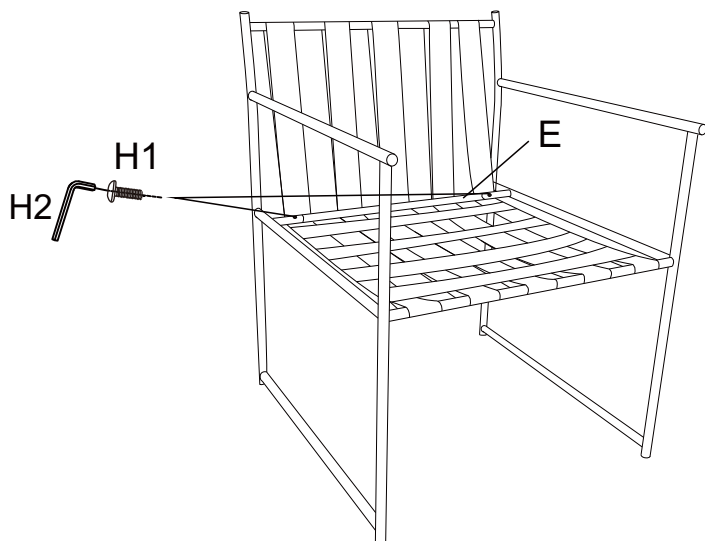
1

Tighten the bolts & screws to 80% tightness.

2**3**

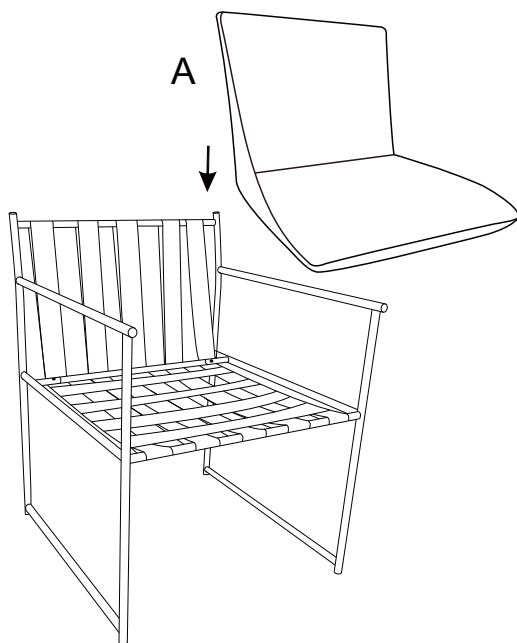
Tighten the bolts & screws to 80% tightness.

4



Tighten the bolts & screws to 80% tightness.

5



Adjust the chair so that it is leveled, then fully tighten all the bolts & screws.