



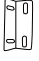




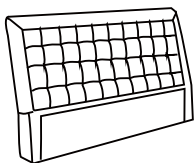


WARNING

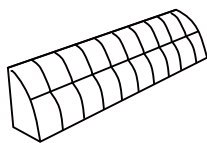
- Inspect the bed before each use, make sure all components and parts are correctly and securely positioned.
- Do not use it if any worn, defective, or missing parts.
- Do not sudden sitting or bouncing on the bed.
- Do not jump onto or off the bed.
- Do not use the bed unless placed at a stable position
- When you clean the bed, Please use a leather cleaner.
- Suggested tools: electronic screwdriver

Components/QTY		Components/QTY		Components/QTY	
Screw(Bed)  (A)	20	Legs(Slat)  (E)	2	Part2(Slat)  (I)	28
Screw(Slat)  (B)	4	SmallConner  (F)	4		
Nut(Slat)  (C)	4	Block  (G)	28		
Central rail  (D)	1	Part1(Slat)  (H)	14		

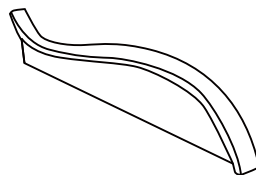
① HEAD BOARD (1PC)



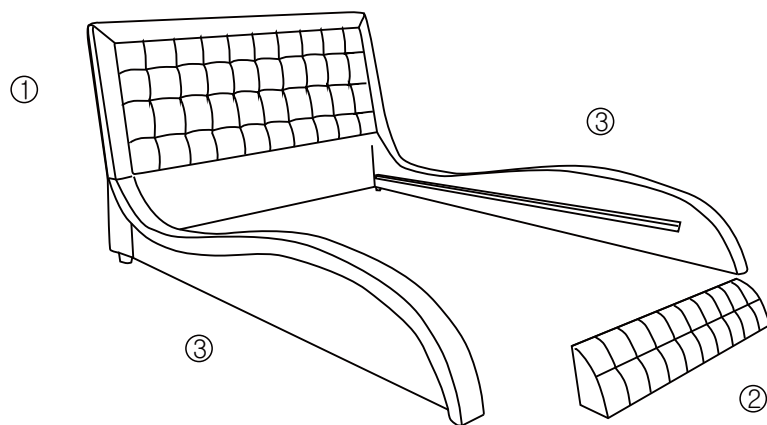
② FOOT BOARD (1PC)



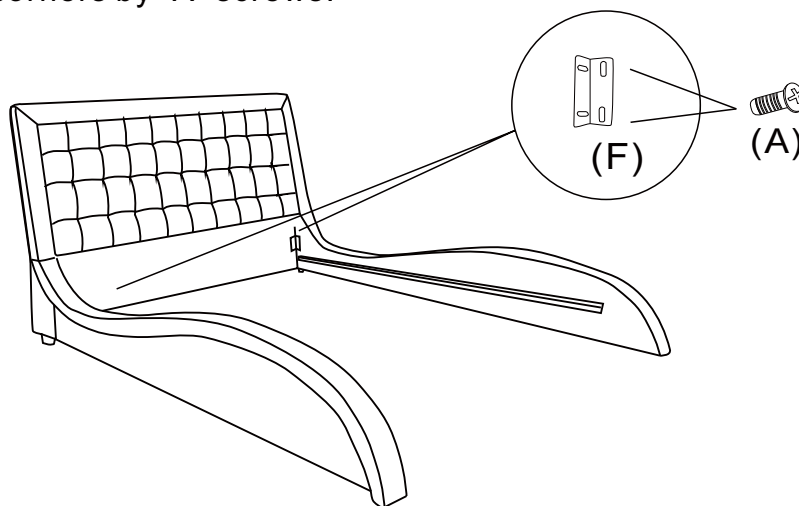
③ SIDE RAIL (2PCS)



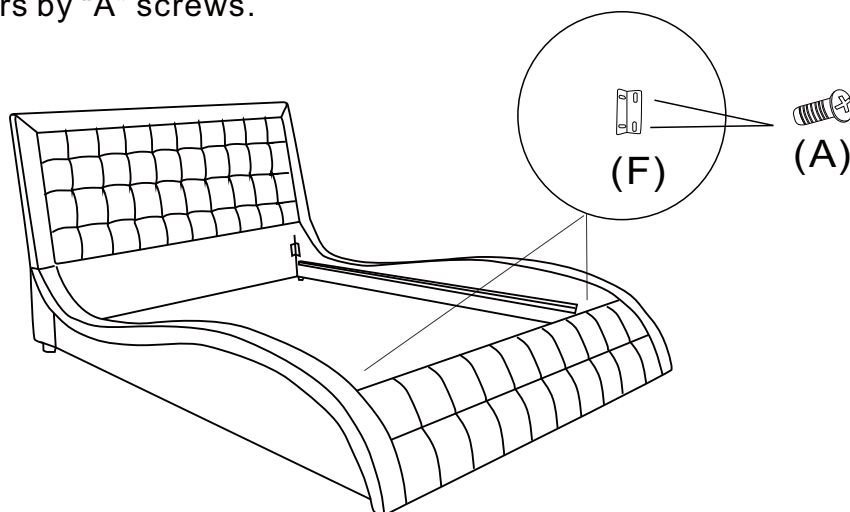
1. Place the accessories.



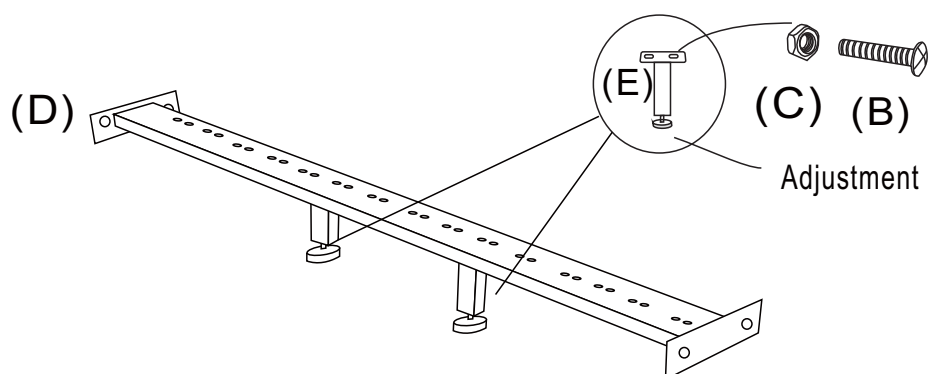
2. Fix "F" metal corners by "A" screws.



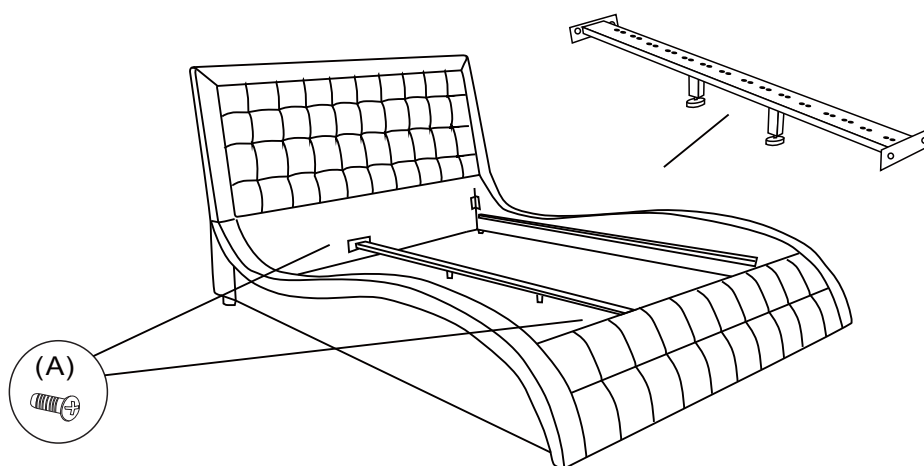
3. Fix "F" metal corners by "A" screws.



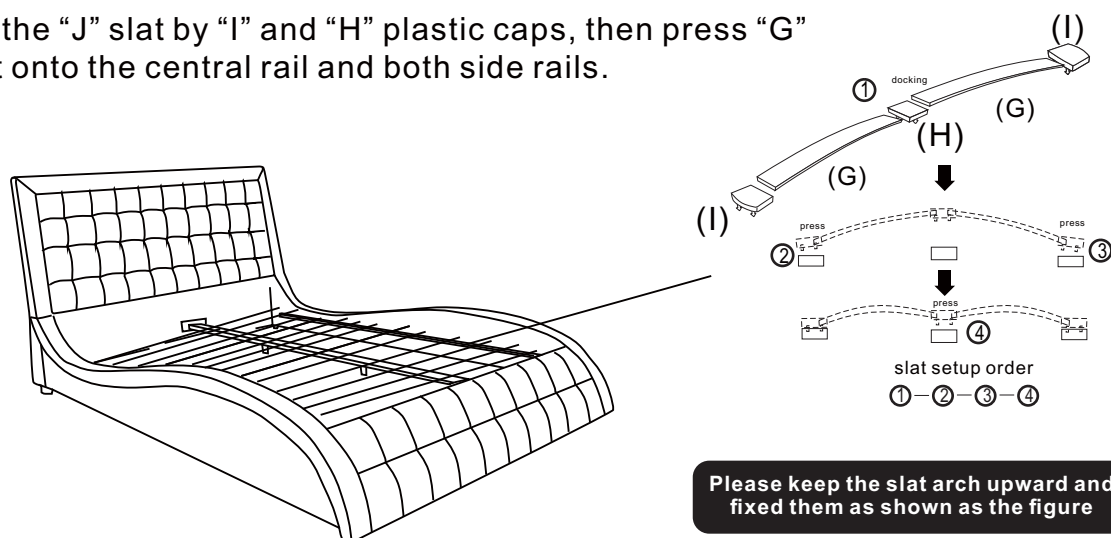
4. Fix the "E" adjustable legs by "C" nuts and "B" screws onto "D" central rail.



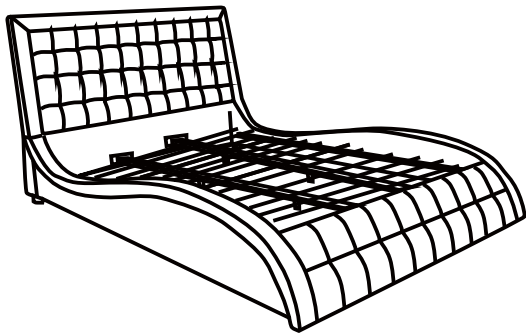
5. Fix the "D" central rail by "A" screws.



6. Fix the "J" slat by "I" and "H" plastic caps, then press "G" slat onto the central rail and both side rails.



Please keep the slat arch upward and fixed them as shown as the figure

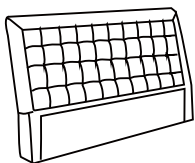


WARNING

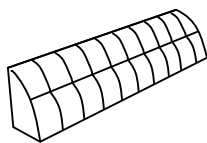
- Inspect the bed before each use, make sure all components and parts are correctly and securely positioned.
- Do not use it if any worn, defective, or missing parts.
- Do not sudden sitting or bouncing on the bed.
- Do not jump onto or off the bed.
- Do not use the bed unless placed at a stable position
- When you clean the bed, Please use a leather cleaner.
- Suggested tools: electronic screwdriver

Components/QTY		Components/QTY		Components/QTY	
Screw(Bed)	(A) 24	Legs(Slat)	(E) 4	Part2(Slat)	(I) 30
Screw(Slat)	(B) 8	SmallConner	(F) 4		
Nut(Slat)	(C) 8	Block	(G) 45		
Central rail	(D) 2	Part1(Slat)	(H) 30		

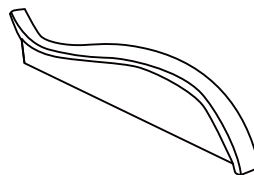
① HEAD BOARD (1PC)



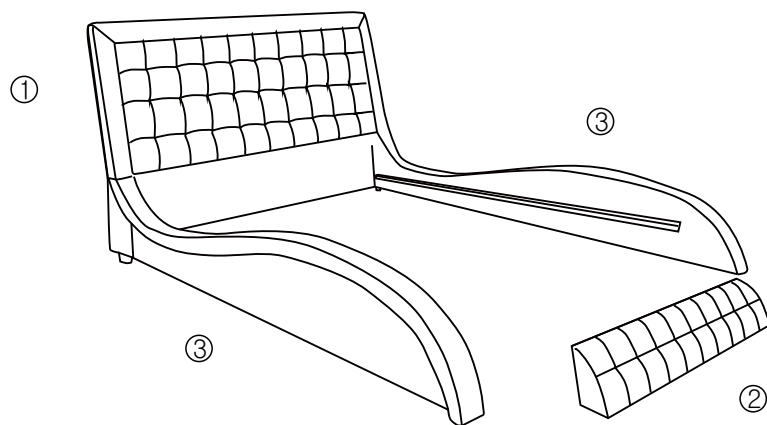
② FOOT BOARD (1PC)



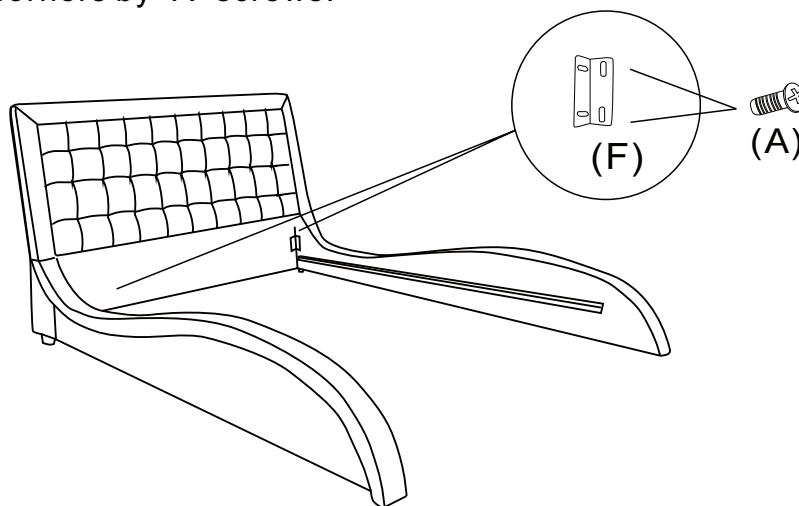
③ SIDE RAIL (2PCS)



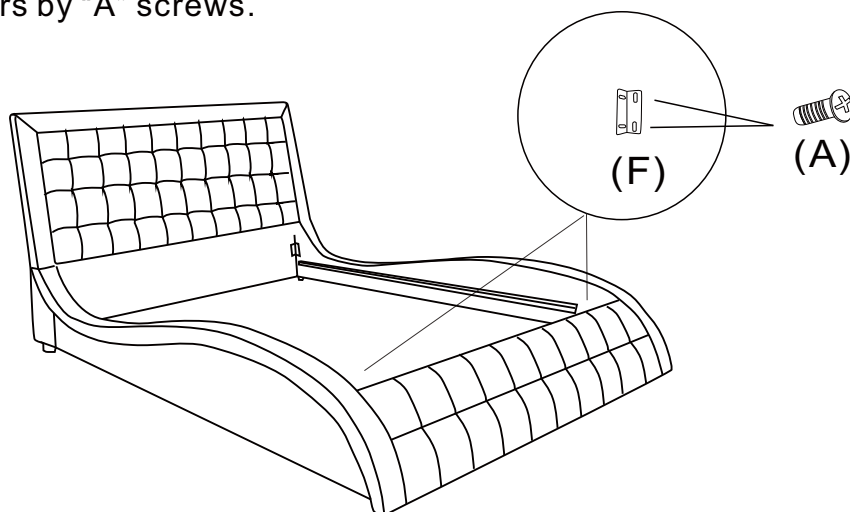
1. Place the accessories.



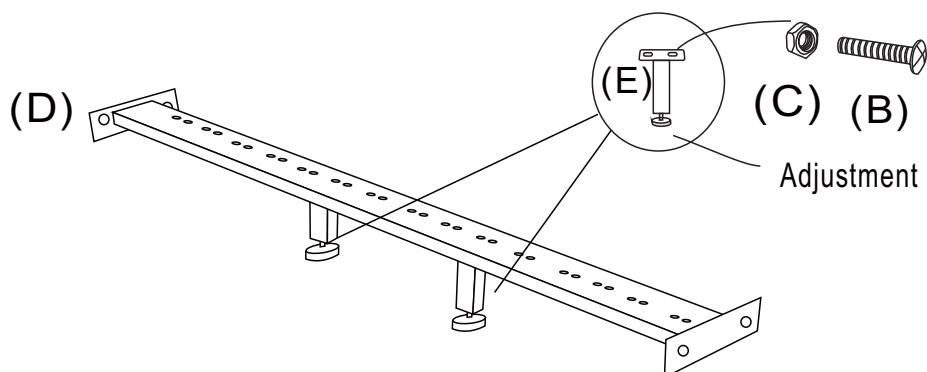
2. Fix "F" metal corners by "A" screws.



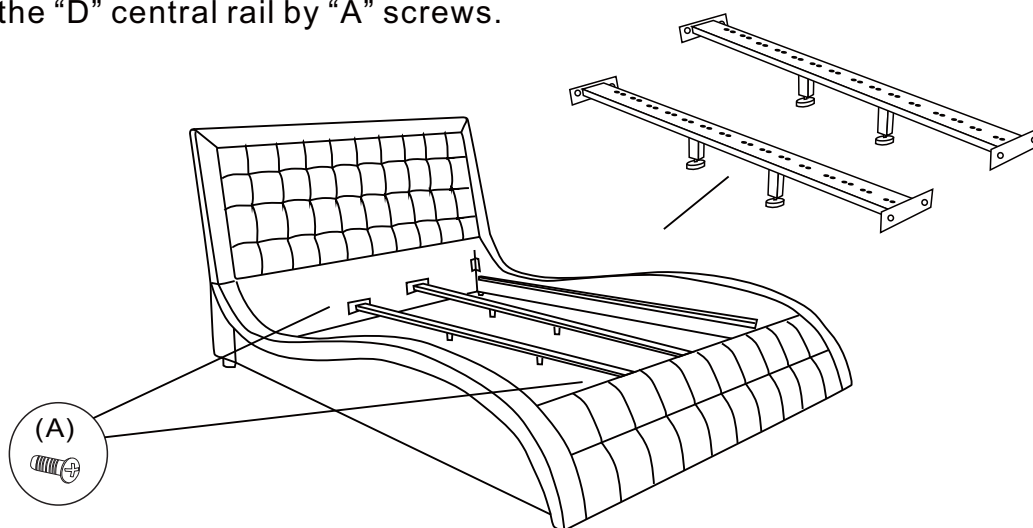
3. Fix "F" metal corners by "A" screws.



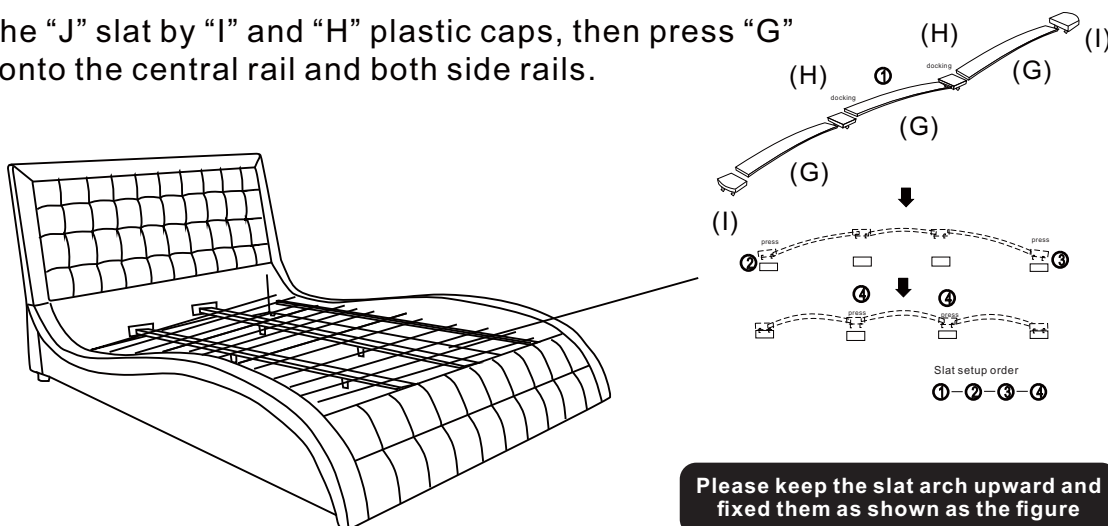
4. Fix the "E" adjustable legs by "C" nuts and "B" screws onto "D" central rail.

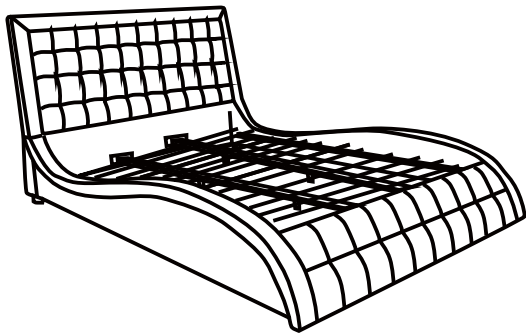


5. Fix the "D" central rail by "A" screws.




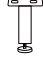


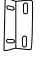




6. Fix the "J" slat by "I" and "H" plastic caps, then press "G" slat onto the central rail and both side rails.



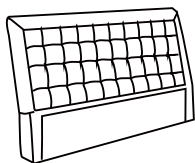


WARNING

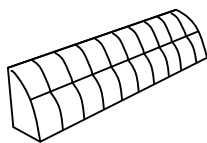
- Inspect the bed before each use, make sure all components and parts are correctly and securely positioned.
- Do not use it if any worn, defective, or missing parts.
- Do not sudden sitting or bouncing on the bed.
- Do not jump onto or off the bed.
- Do not use the bed unless placed at a stable position
- When you clean the bed, Please use a leather cleaner.
- Suggested tools: electronic screwdriver

Components/QTY		Components/QTY		Components/QTY	
Screw(Bed)  (A)	24	Legs(Slat)  (E)	4	Part2(Slat)  (I)	28
Screw(Slat)  (B)	8	SmallConner  (F)	4		
Nut(Slat)  (C)	8	Block  (G)	42		
Central rail  (D)	2	Part1(Slat)  (H)	28		

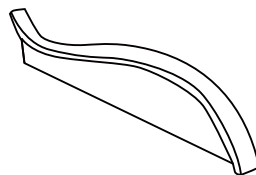
① HEAD BOARD (1PC)



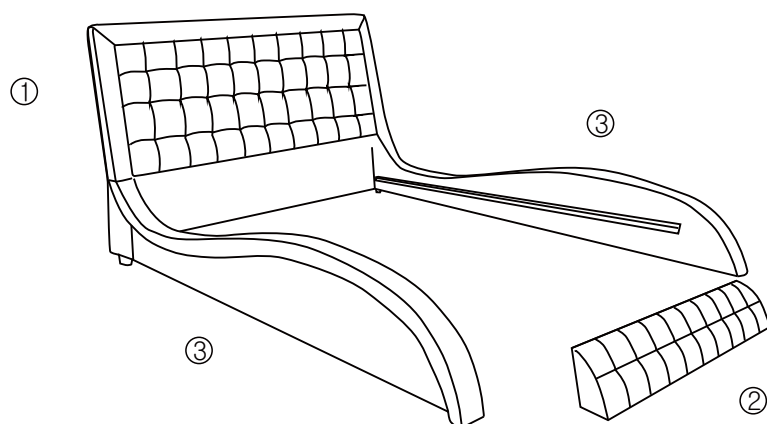
② FOOT BOARD (1PC)



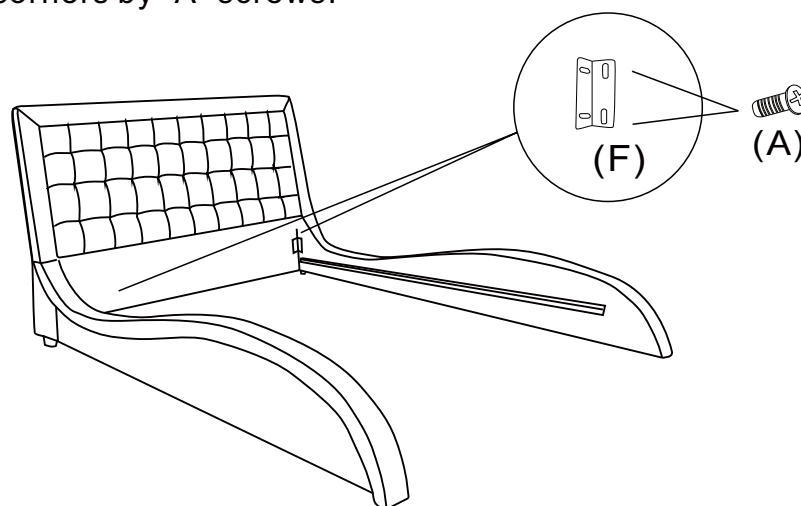
③ SIDE RAIL (2PCS)



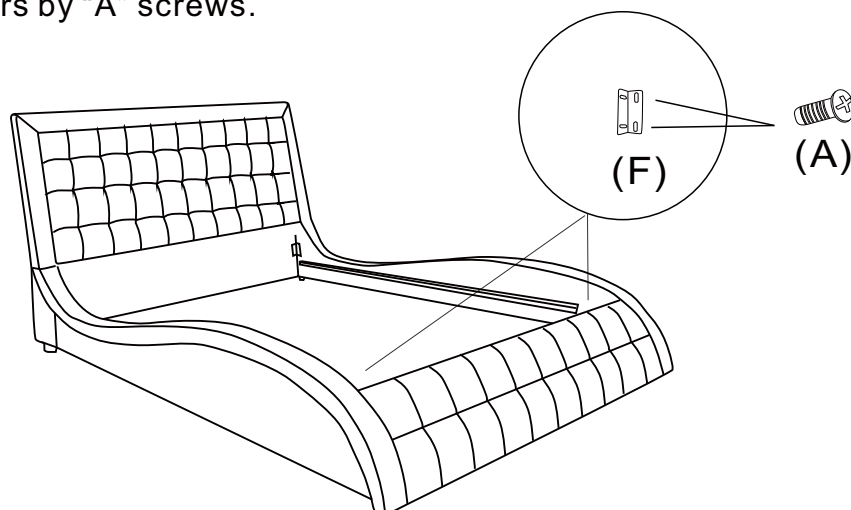
1. Place the accessories.



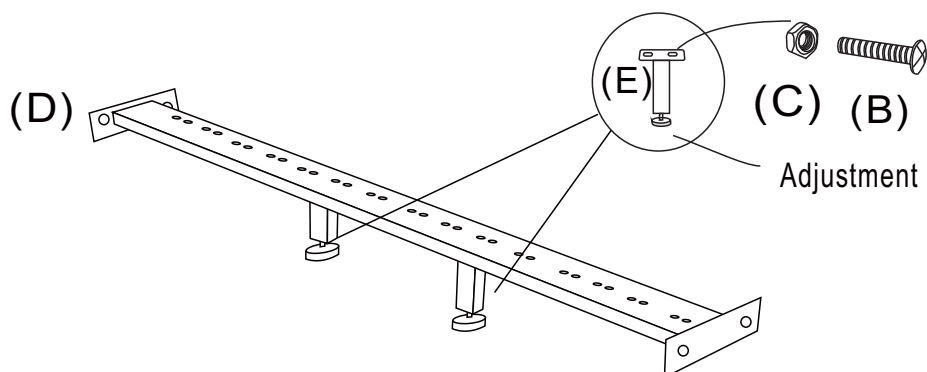
2. Fix "F" metal corners by "A" screws.



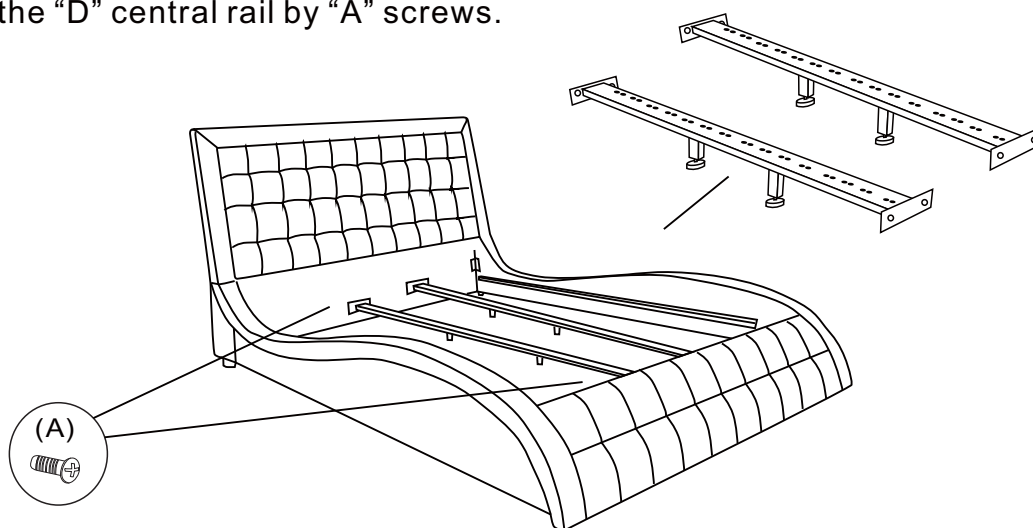
3. Fix "F" metal corners by "A" screws.



4. Fix the "E" adjustable legs by "C" nuts and "B" screws onto "D" central rail.



5. Fix the "D" central rail by "A" screws.



6. Fix the "J" slat by "I" and "H" plastic caps, then press "G" slat onto the central rail and both side rails.

