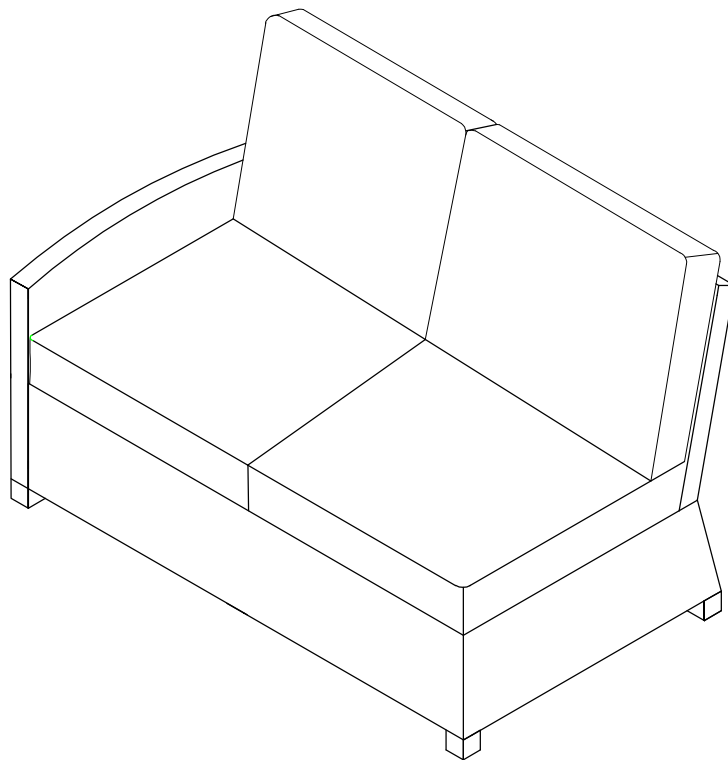


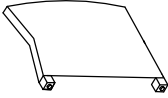

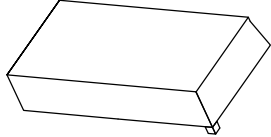
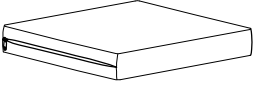

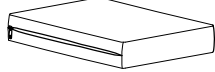

Outdoor Wicker Sectional Loveseat Left Corner



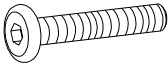
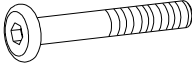
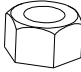


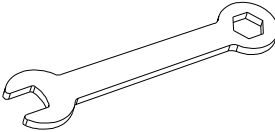
Congratulations! You have purchased a stylish piece. We strive to provide fine furniture products, built with quality materials and hand finished details. Please carefully follow the assembly instructions to ensure your furniture is assembled correctly to provide long lasting enjoyment.

Care: Use a soft, clean cloth that will not scratch the surface when cleaning. The use of solvents is not necessary. Should you choose to use solvents, test in an inconspicuous area first to avoid damaging the finish. To clean, simply use a soft, clean cloth lightly dampened with water.

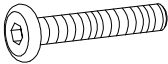
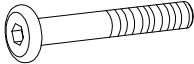

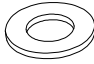
PART LIST

 Arm Panel		 Back Panel		 Seat Panel	
A	1PC	B	1PC	C	1PC
 Cover Of Seat Cushion		 Inner Of Seat Cushion		 Cover Of Back Cushion	
D	2PCS	E	2PCS	F	2PCS
 Inner Of Back Cushion					
G	2PCS				

HARDWARE LIST

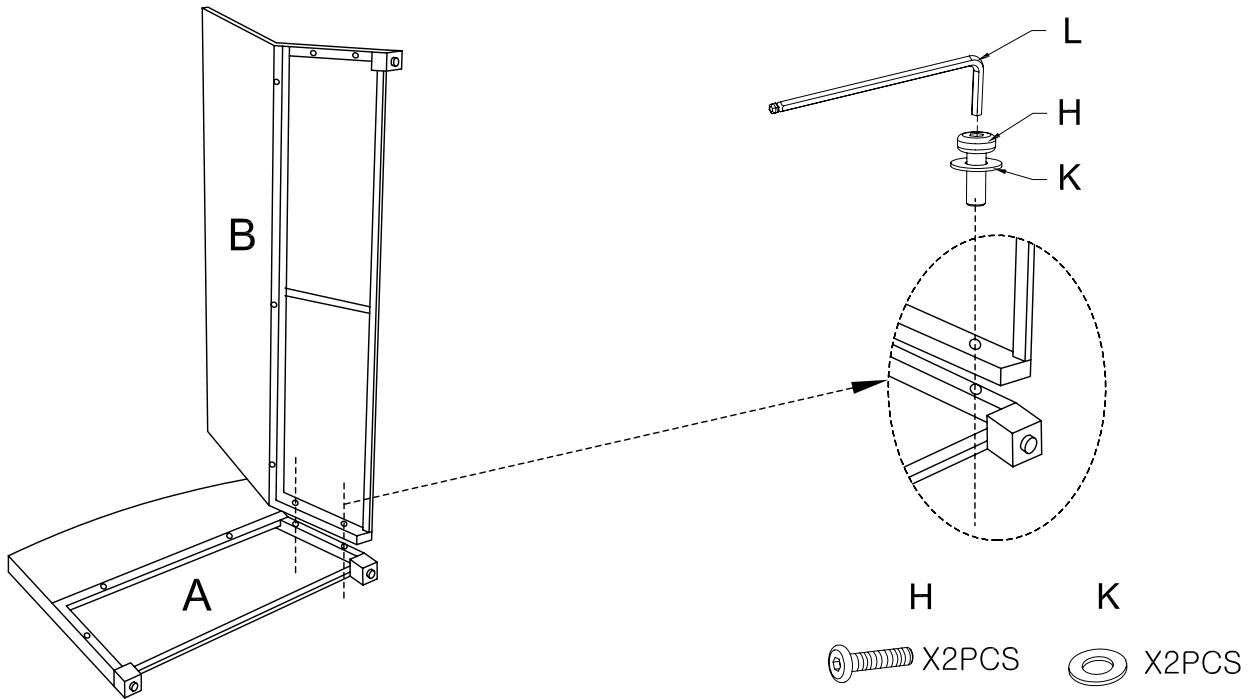
 Short Bolt (M6*55mm)		 Long Bolt (M6*65mm)		 Nut (M6mm)	
H	5PCS	I	5PCS	J	5PCS
 Washer (M6mm)		 Allen Key (M6mm)		 Wrench (M6mm)	
K	15PCS	L	1PC	M	1PC

EXTRA HARDWARE LIST

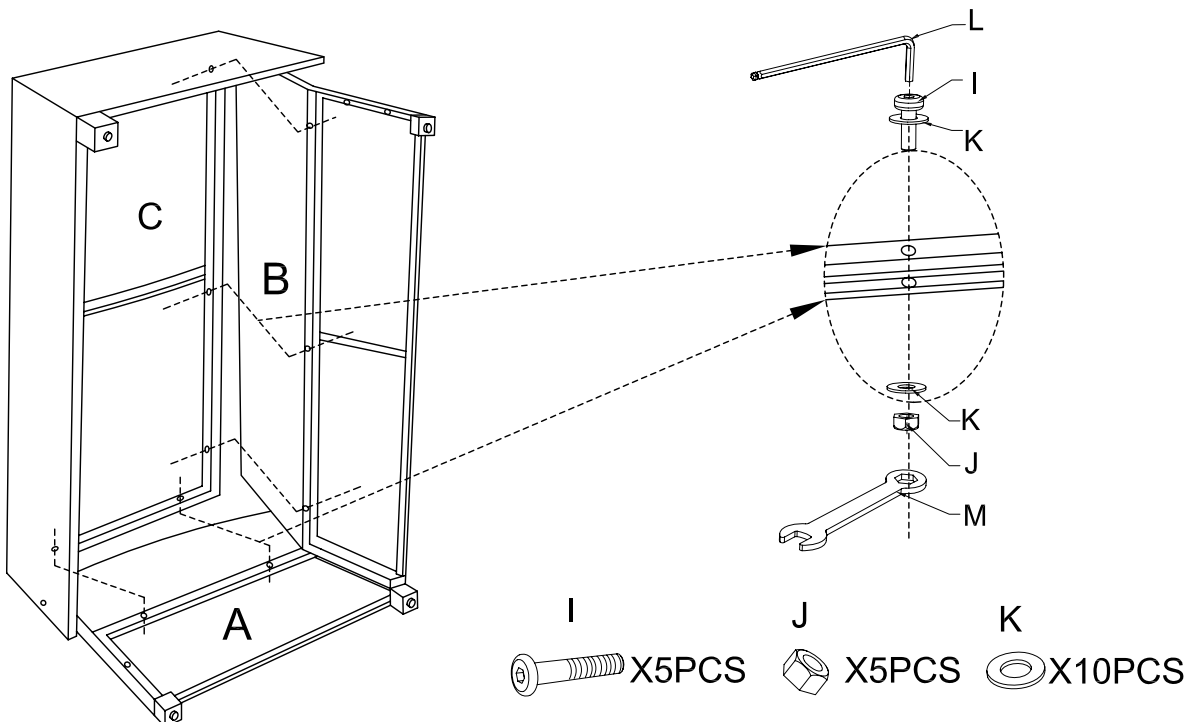
 H X1PC	 I X1PC	 J X1PC	 K X3PCS
---	---	---	--

Step 1. Lay Arm Panel (A) down on a flat surface. Attach Back Panel(B) to Arm Panel(A) using the Short Bolts(H), Washers(K), & Allen Key (L).

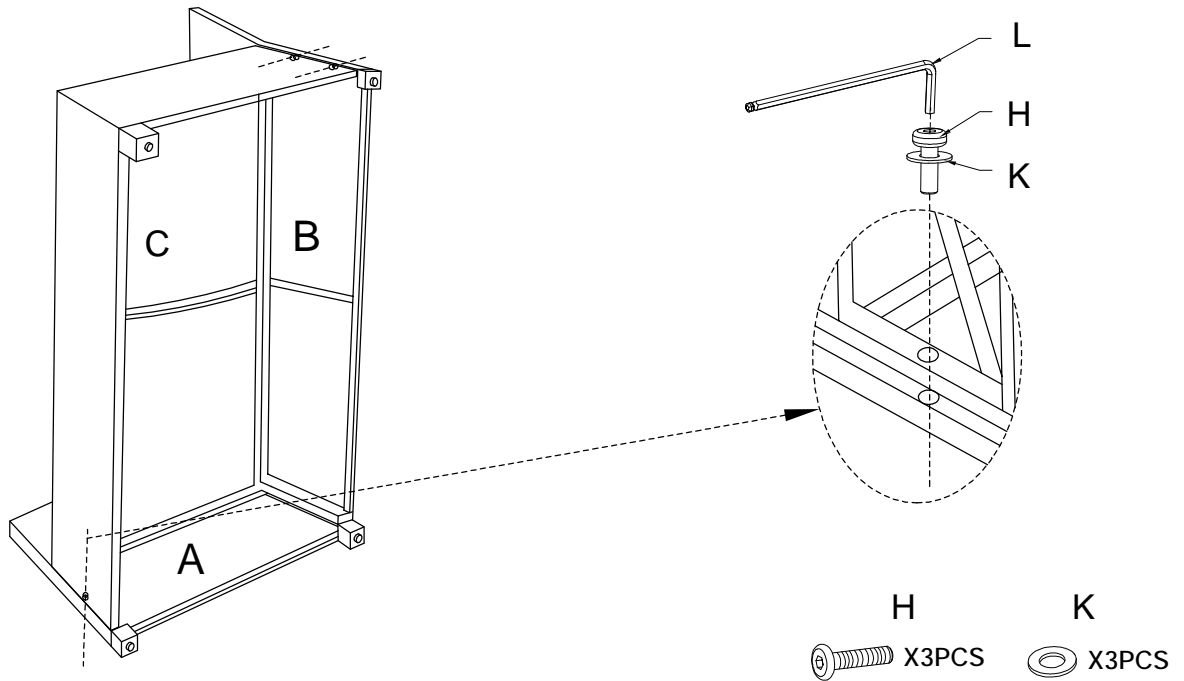
NOTE: Please do not fully tighten bolts until unit is fully assembled.



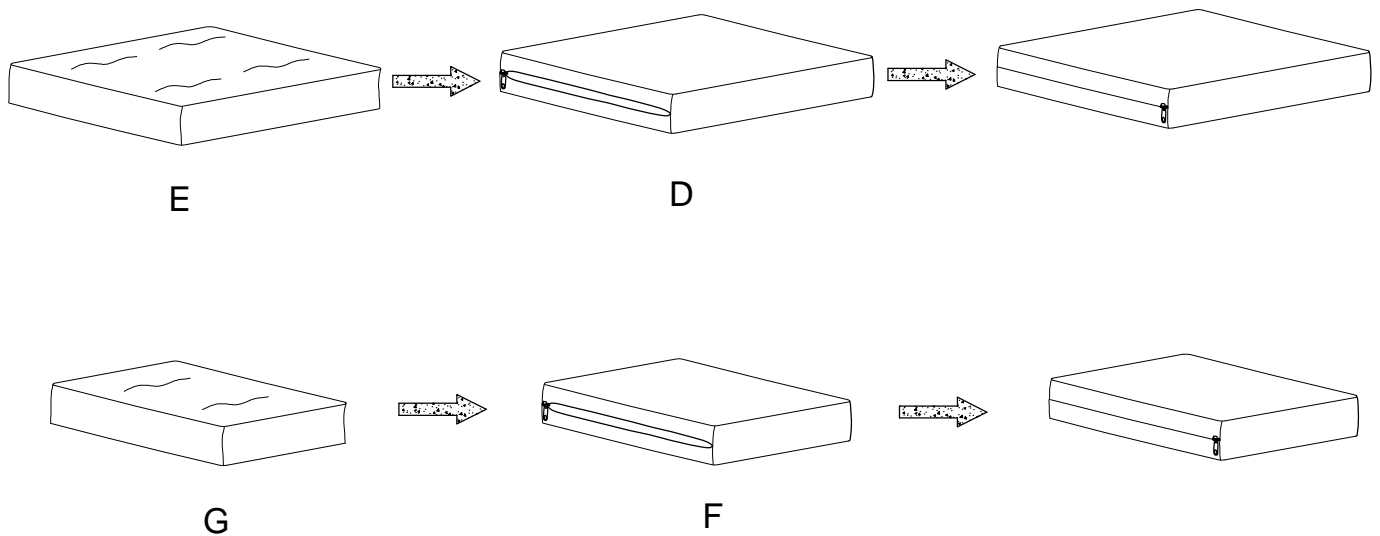
Step 2. Attach Seat Panel(C) to Arm Panel(A) and Back Panel (B) using the Long Bolts(I) Washers(K), Nuts(J), Wrench (M) & Allen Key (L).



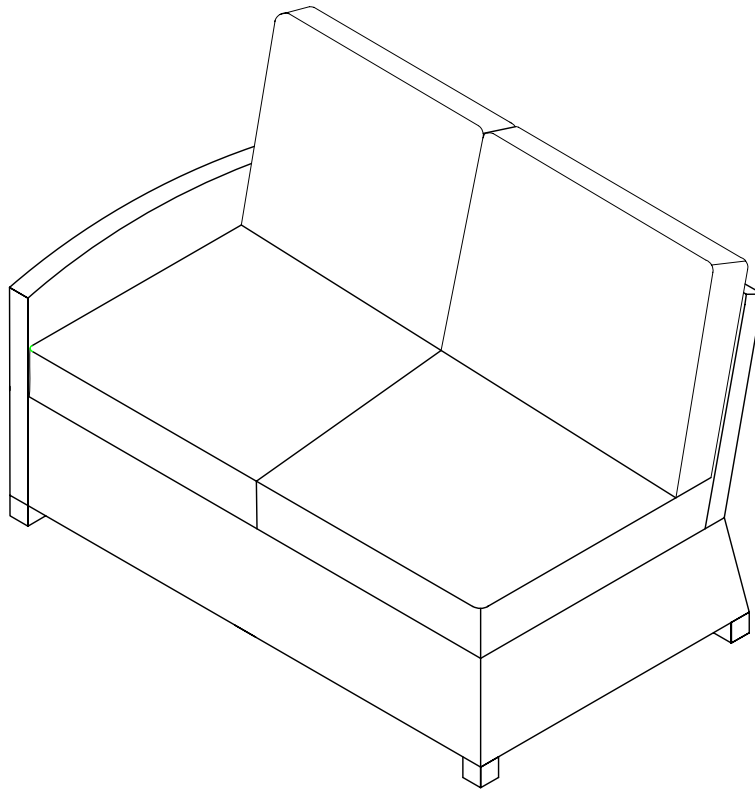
Step 3. Attach Seat Panel (C) to Arm Panel (A) and Back Panel (B) using the Short Bolts(H), Washers (K) & Allen Key (L).



Step 4. Insert Inner Of Seat Cushion (E) into Cover Of Seat Cushion (D).
Insert Inner Of Back Cushion (G) into Cover Of Back Cushion (F).



Step 5. Place Seat Cushion and Back Cushion on the loveseat.



Warranty