

# **VEVOR<sup>®</sup>**

## **TOUGH TOOLS, HALF PRICE**

Technical Support and E-Warranty Certificate [www.vevor.com/support](http://www.vevor.com/support)

# **YURT USER MANUAL**

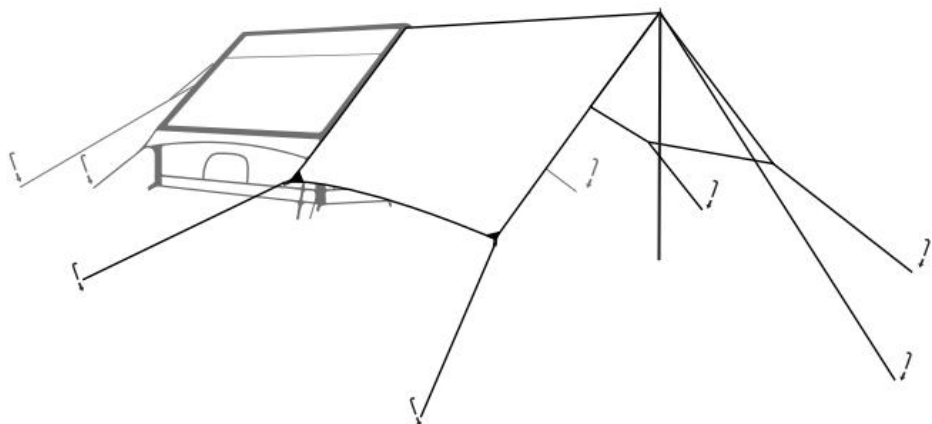
We continue to be committed to provide you tools with competitive price. "Save Half", "Half Price" or any other similar expressions used by us only represents an estimate of savings you might benefit from buying certain tools with us compared to the major top brands and does not necessarily mean to cover all categories of tools offered by us. You are kindly reminded to verify carefully when you are placing an order with us if you are actually Saving Half in comparison with the top major brands.

# VEVOR®

TOUGH TOOLS, HALF PRICE

YURT

MODEL:ZJTM1359



## NEED HELP? CONTACT US!

Have product questions? Need technical support? Please feel free to contact us:

**Technical Support and E-Warranty Certificate**  
[www.vevor.com/support](http://www.vevor.com/support)

This is the original instruction, please read all manual instructions carefully before operating. VEVOR reserves a clear interpretation of our user manual. The appearance of the product shall be subject to the product you received. Please forgive us that we won't inform you again if there are any technology or software updates on our product.

## SAFETY INSTRUCTIONS

### **WARNING:**

**Read this material before using this product. Failure to do so can result in serious injury.**

### **Assembly precautions**

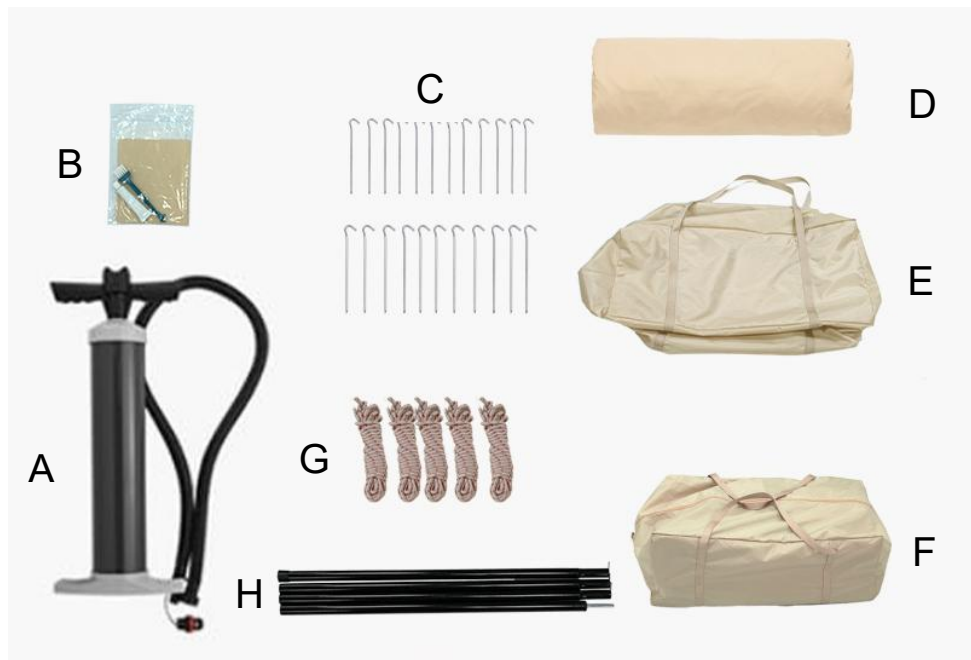
1. Assemble only according to these instructions. Improper assembly can create hazards.
2. Wear ANSI-approved safety goggles and heavy-duty work gloves during assembly.
3. Keep the assembly area clean and well-lit.
4. Keep bystanders out of the area during assembly.
5. Do not assemble if tired or when under the influence of alcohol, drugs or medication.
6. The product capabilities apply to properly and completely assembled products only.
7. Assemble on a flat, level, hard and smooth surface capable of safely supporting the Yurt.
8. For additional information regarding the parts listed in the following pages, please refer to the Assembly Diagram of this manual. Unwrap and separate all parts in a clean work area.

### **Use precautions**

1. DO NOT SIT OR STAND ON THIS ITEM.
2. This product is not a toy. Do not allow children to play with or near this item.
3. Do not exceed specified weight capacities.
4. Use only on a flat, level, hard, and smooth surface that can safely support a fully loaded Yurt.
5. Use as intended only.
6. Inspect before every use; do not use if parts are loose or damaged.

**SAVE THIS MANUAL**

## PARTS LIST



<b>A</b>	Inflator x1
<b>B</b>	Self-complementing toolkit x1
<b>C</b>	Pegs x23
<b>D</b>	canopy x1
<b>E</b>	organizer bag x1
<b>F</b>	Yurt x1
<b>G</b>	Guy Rope x5
<b>H</b>	Pole x1Set of

## PRODUCT PARAMETER

<b>Model</b>	ZJTM1359
<b>Colour</b>	Beige
<b>Product Size</b>	3000*2000*2000mm

## ASSEMBLY STEP

### (Tenting Instructions)

#### STEP- 1

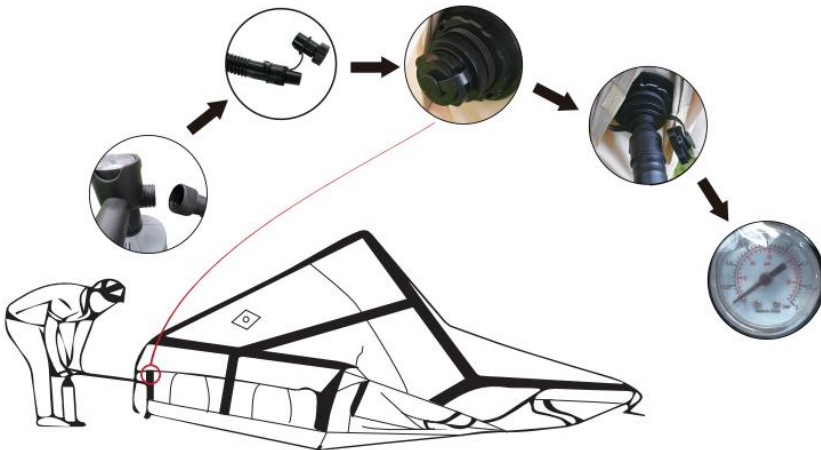
Start by preparing the site. Remove any trash and objects that could potentially damage the tent. Ensure the location is level and devoid of sharp objects. Then, unfold the tent and insert stakes into its corners.



#### STEP- 2

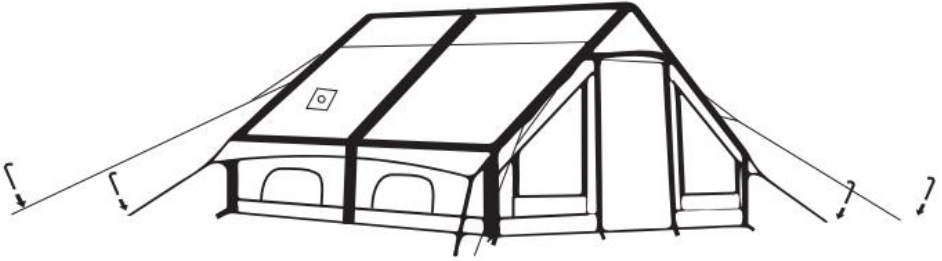
Install the pump head and fix it to the valve.

Keep inflating the tent until the air column can fully stand up, then the inflation is completed. Please do not over-inflate the tent or it will be in danger especially in summer days. The ideal pressure for tent inflation is between 5 and 7 pounds per square inch



### STEP- 3

Tighten the valve cover and secure the tent with guy ropes and and pegs.



### Safety Warning:

Please do not over-inflate the tent or the air column of the tent will damage.

Special attention when using in hot summer days.

When the temperature rises, do not fill the column completely.

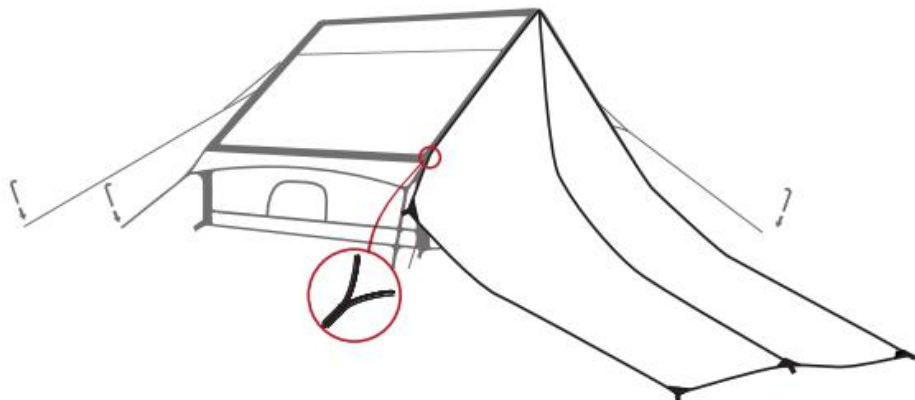
Please reduce the amount of inflating as appropriate as the air column may burst due to the expansion of air by heat.

**\* It is recommended to dry the product before storing it to avoid mildew**

## (Canopy Instructions)

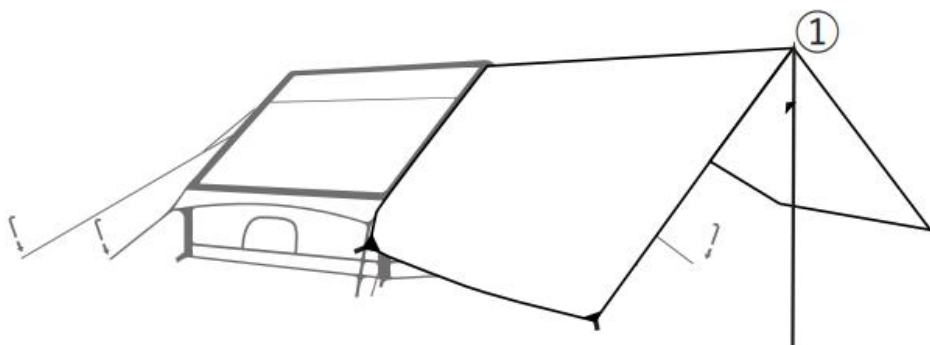
### STEP- 1

Connect the canopy with the tent zipper;



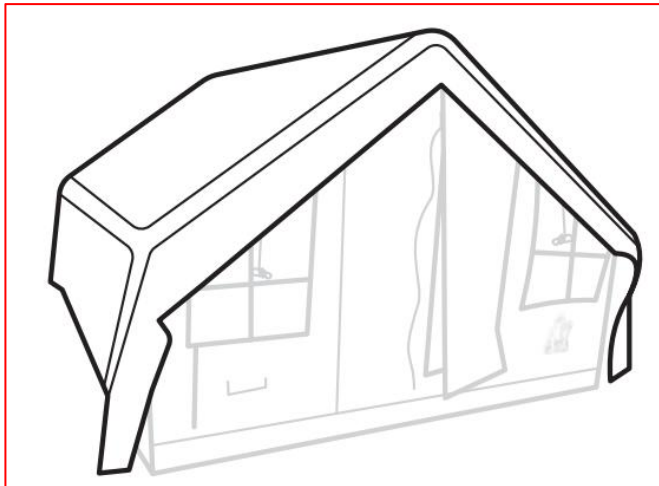
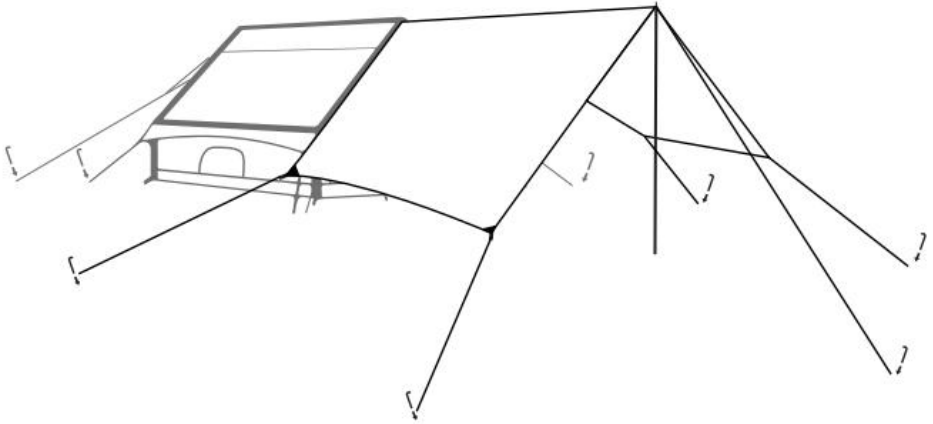
### STEP- 2

Assemble the support pole, thread the support pole through the ring buckle at ①, and lift up the point ①.



### STEP-3

Secure the 5 corners with wind ropes and pegs.

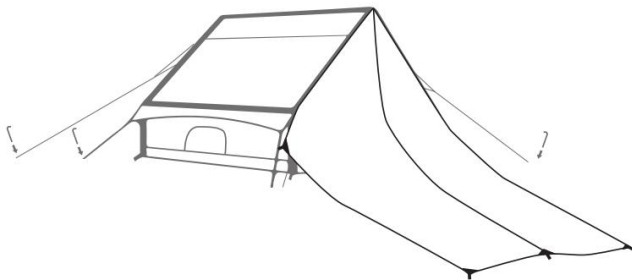


\*On rainy days, covering a yurt with a rain fly can provide better waterproofing

## (Folding Canopy Instructions)

### STEP- 1

First remove the wind rope and pegs at the five corners, and then remove the support pole.



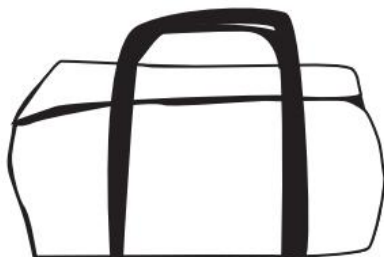
### STEP- 2

Fold up the canopy.



### STEP- 3

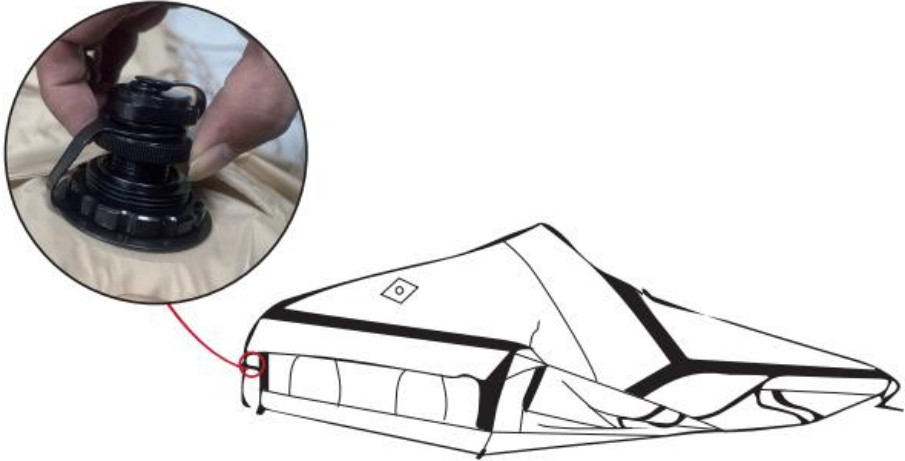
Place in the organizer bag



## (Folding Tent Instructions)

### STEP- 1

Unscrew the valve of the inflatable tent's nozzle to deflate it.



### STEP- 2

Remove the tent ground pegs and stow the wind ropes away. Spread the tent out flat. Fold the sides of the tent toward the center, then fold them in half (Approx. 29.53in/75cm).



### STEP- 3

Folding the tent to fit in the organizer bag (.Note: Do not roll the tent from the side of the air vent!)



Approx.  
29.53in/75cm



### STEP- 4

Place in the organizer bag.



**Manufacturer:** Shanghaimuxinmuyeyouxiangongsi

**Address:** Shuangchenglu 803nong11hao1602A-1609shi, baoshanqu, shanghai 200000 CN.

**Imported to AUS:** SIHAO PTY LTD. 1 ROKEVA STREETEASTWOOD NSW 2122 Australia

**Imported to USA:** Sanven Technology Ltd. Suite 250, 9166 Anaheim Place, Rancho Cucamonga, CA 91730

<b>EC</b>	<b>REP</b>
-----------	------------

E-CrossStu GmbH  
Mainzer Landstr.69, 60329 Frankfurt am Main.

<b>UK</b>	<b>REP</b>
-----------	------------

YH CONSULTING LIMITED.  
C/O YH Consulting Limited Office 147, Centurion House, London Road, Staines-upon-Thames, Surrey, TW18 4AX

# VEVOR®

**TOUGH TOOLS, HALF PRICE**

**Technical Support and E-Warranty Certificate**

[www.vevor.com/support](http://www.vevor.com/support)