

# **INSTALLATION**

*Product Manual*



### **IMPORTANT INFORMATION!**

please read the entire manual before starting to assemble and/or using this product. follow the manual thoroughly and keep it for further reference.



### **AVOID SCRATCHES!**

In order to avoid scratching this furniture should be assembled on a soft layer- could be a rug.



### **IMPROVE EFFICIENCY !**

Try to find a partner to install with you, which can speed up the installation efficiency and shorten the time.



### **ANTI-TOPPLE WARNING !**

Overturnd furniture can cause serious or fatal crush injuries. To prevent tipping over, be sure to use the wall attachment, if not included with this product. Please purchase the wall attachment that fit your wall. If unsure, seek professional advice. Please read and follow each step of the instructions carefully.

### **IMPORTANT !**

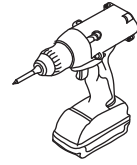
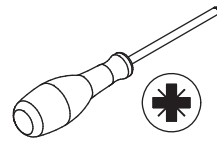
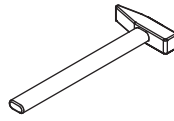
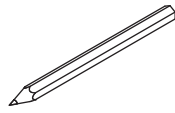
It is important that any product which is assembled using any kind of screw is re-tightened 2 weeks after assembly, and once every 3 months - in order to assure stability through-out the lifespan of the product.

For regular maintenance and cleaning of the product, for the frame, please use a rag dipped in neutral detergent to fully wipe it, and then dry it with a clean rag. For glass materials, wipe with a rag dampened with water glass cleaner, and then dry with a dry rag.

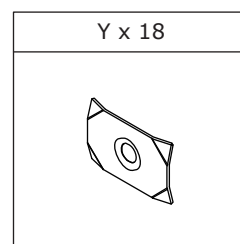
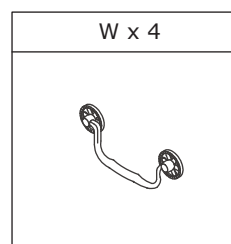
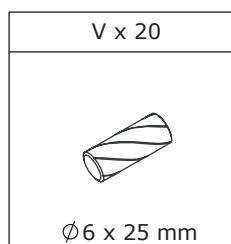
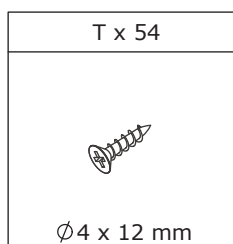
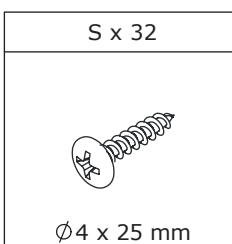
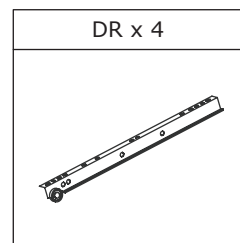
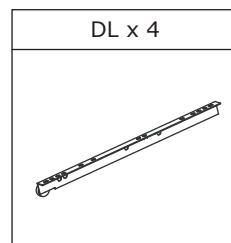
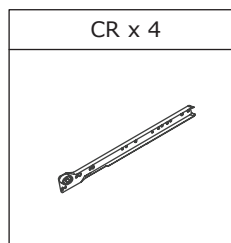
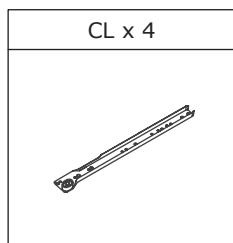
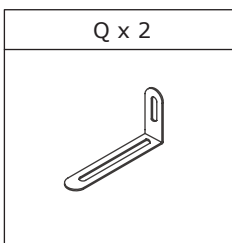
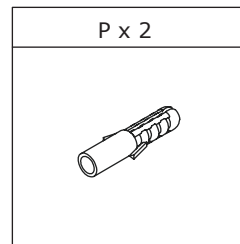
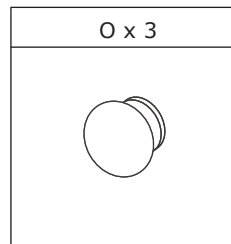
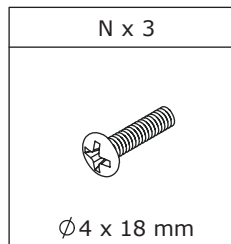
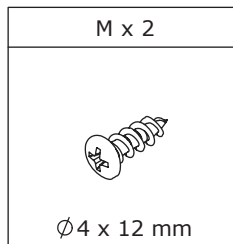
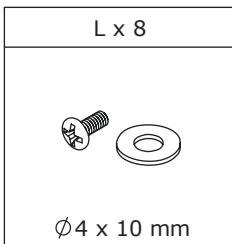
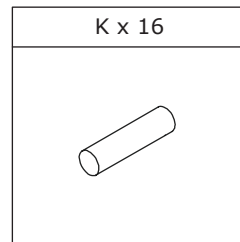
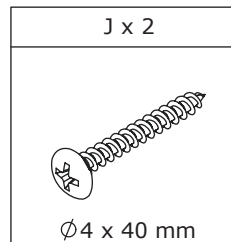
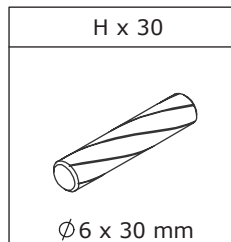
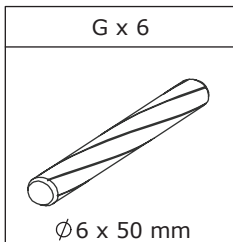
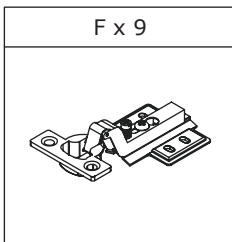
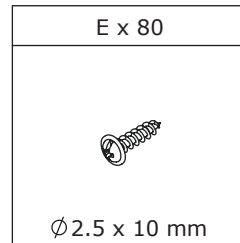
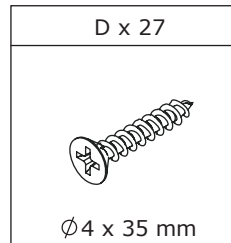
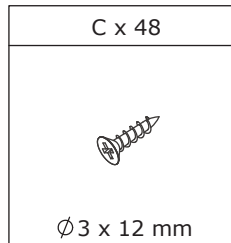
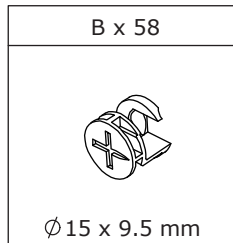
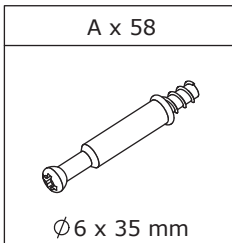
Do not use an electric screwdriver, and do not use too much force when installing, because the board is easy to break.

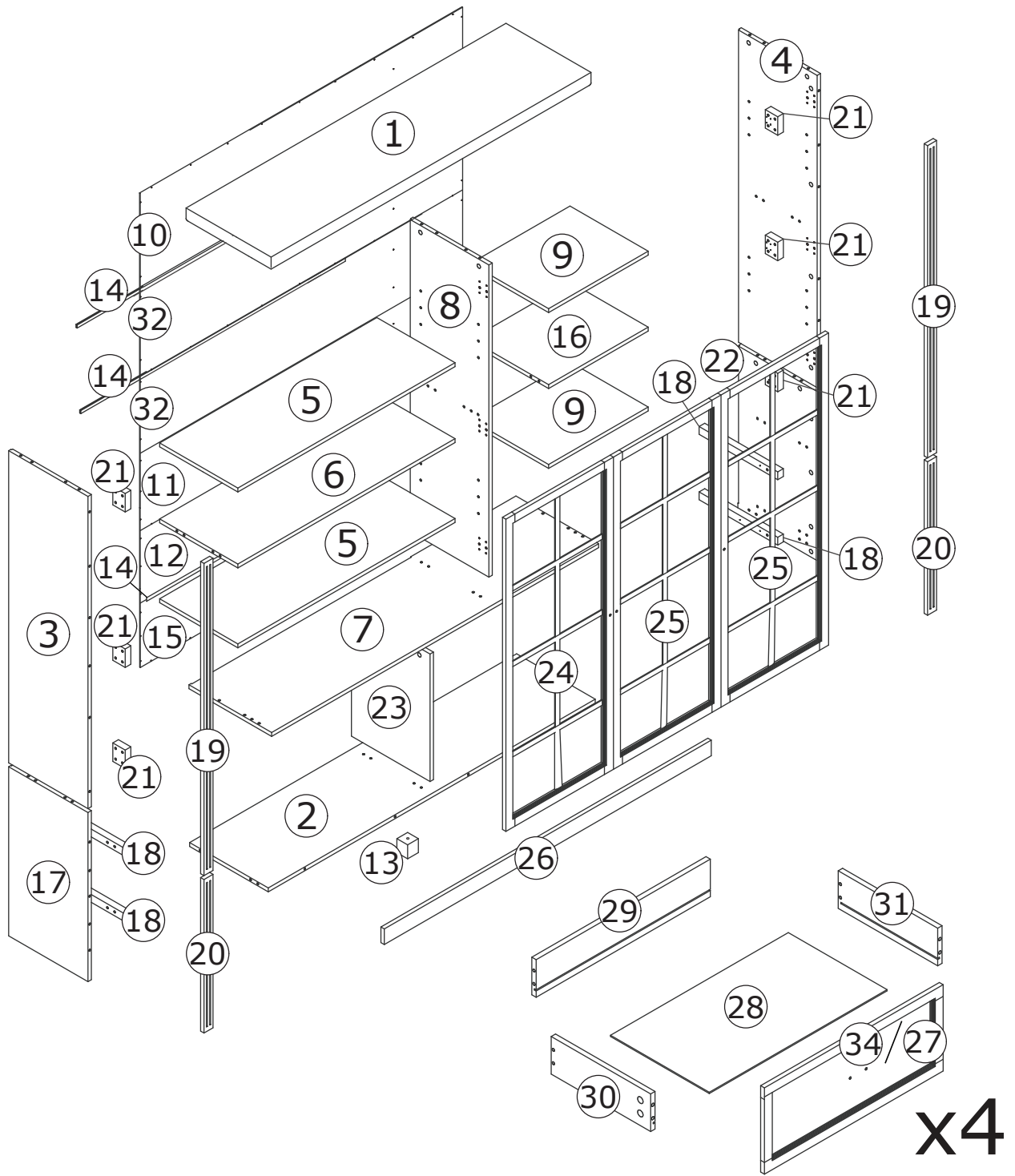


Please prepare the following tools



When installing, please carefully confirm whether each screw corresponds to the manual, accessories with similar shapes can be distinguished by size





## ⚠ WARNING

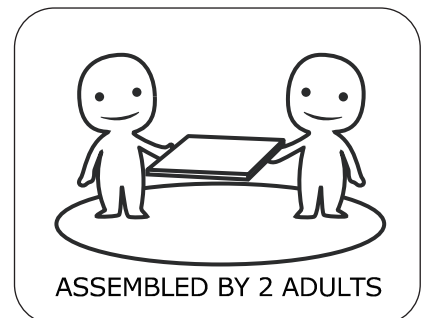


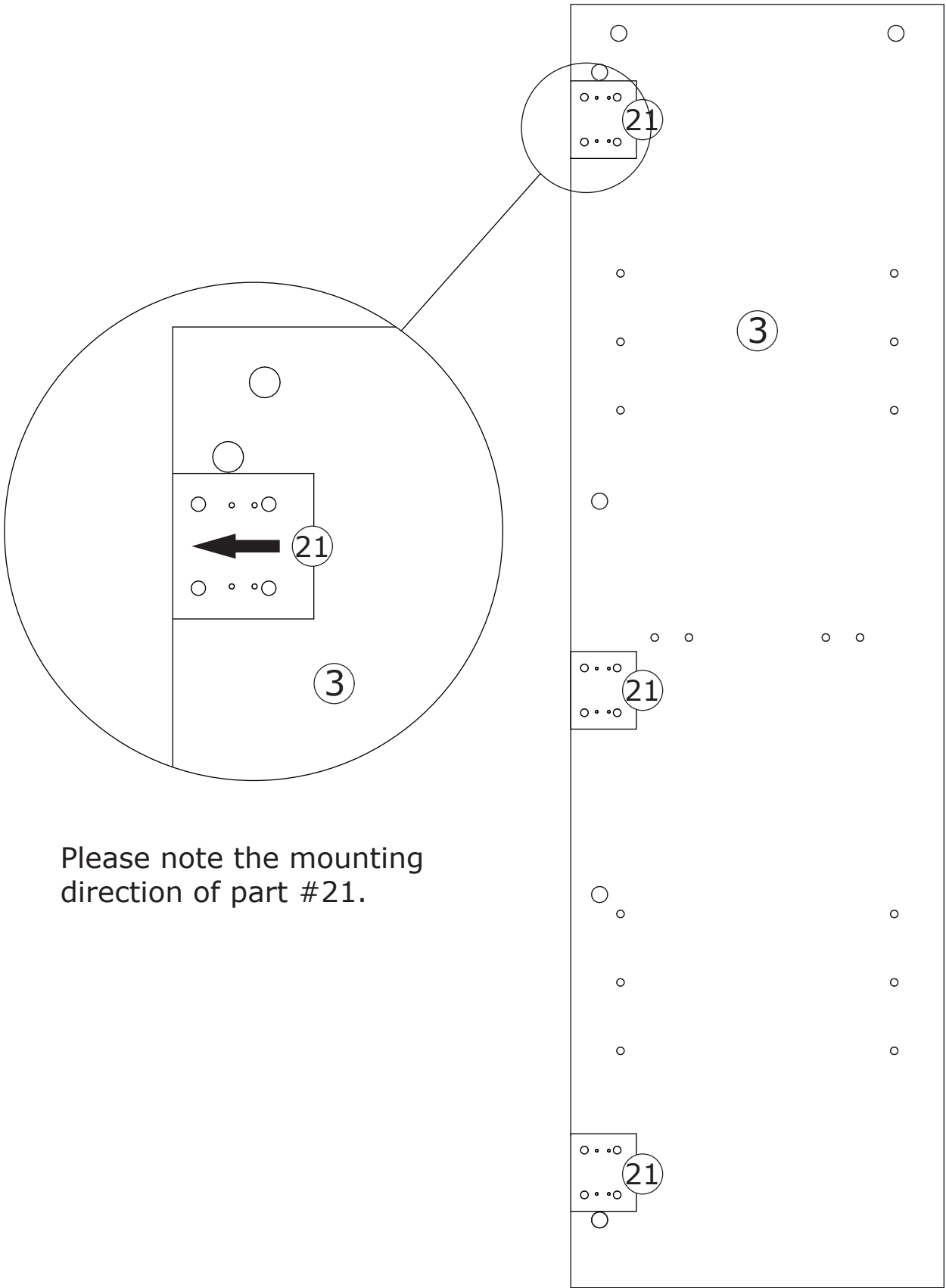
**Children have died from furniture tipover. To reduce the risk of furniture tipover:**

- ALWAYS install Anti-tip device provided.
- NEVER put a TV on this product.
- NEVER allow children to stand, climb or hang on drawers, doors, or shelves.
- NEVER open more than one drawer at a time.
- Place heaviest items in the lowest drawers.



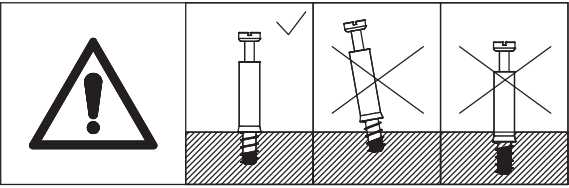
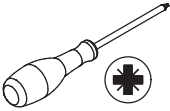
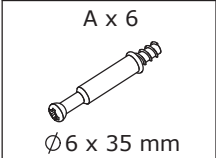
*This is a permanent label.  
Do not remove!*



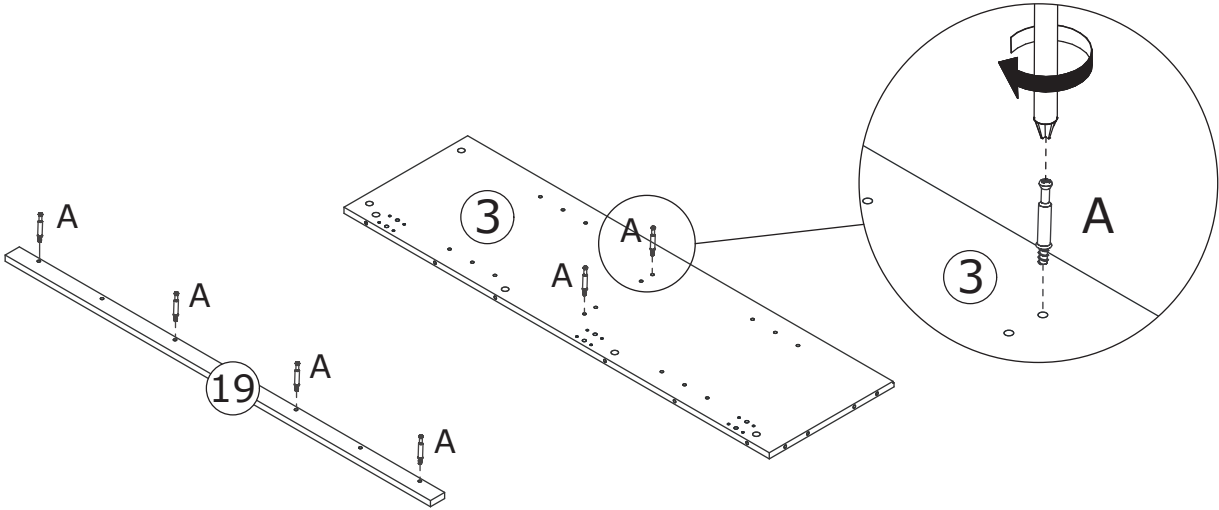


Please note the mounting direction of part #21.

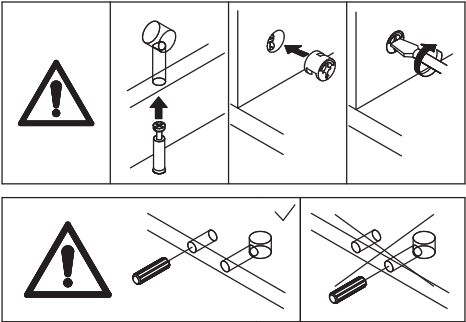
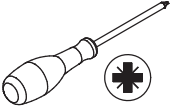
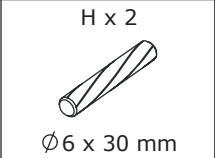
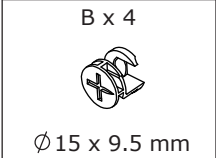
1



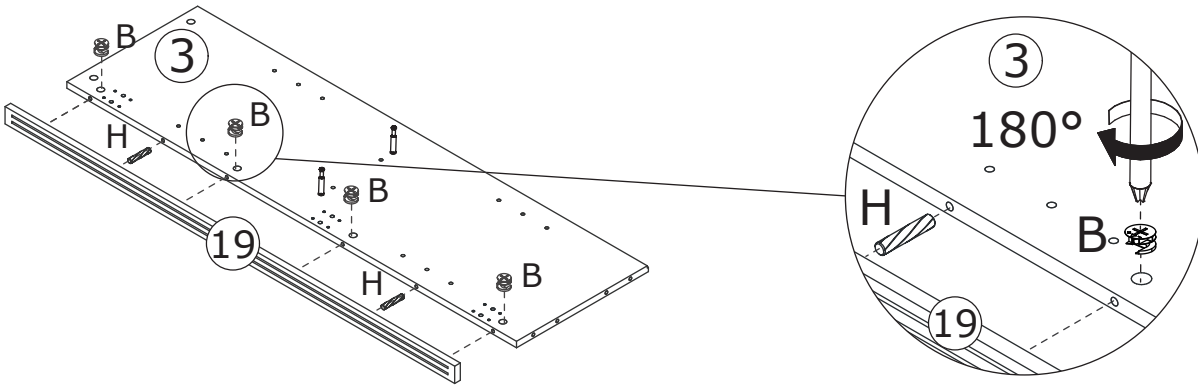
Screw eccentric rod(A) into board 3, and 19 with a screwdriver as shown.



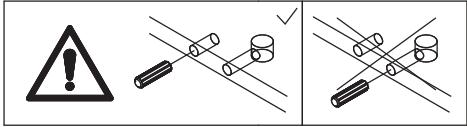
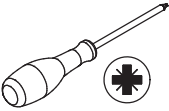
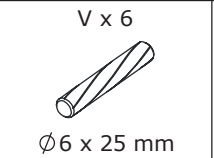
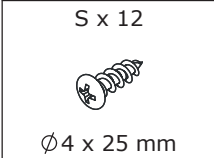
2



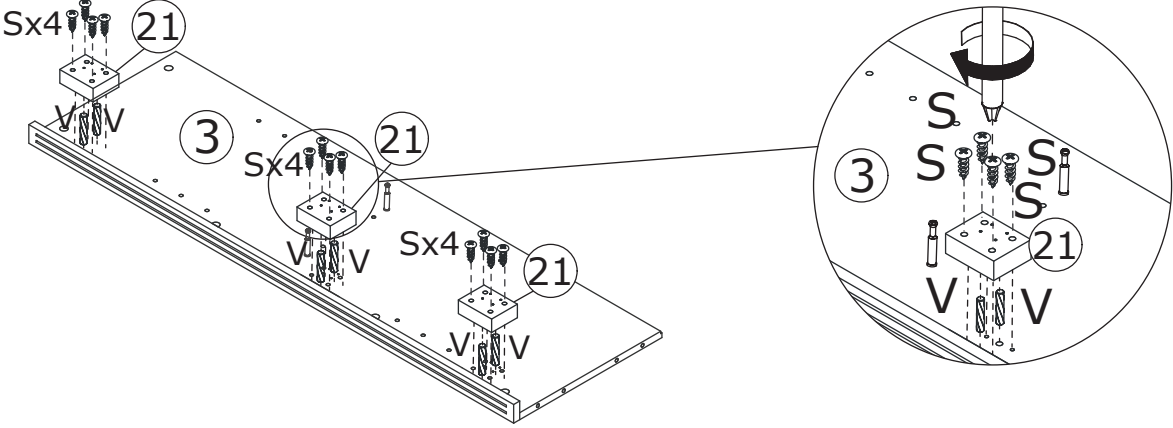
Attach board 19 to board 3 respectively using wooden dowel(H), add cam lock(B) into board 3 and turn clockwise to tighten as shown.



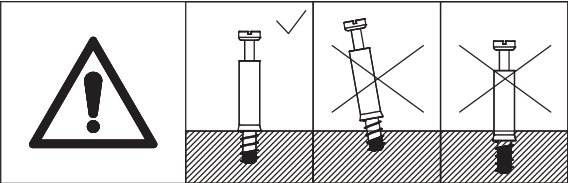
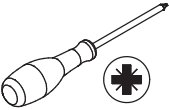
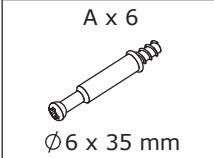
3



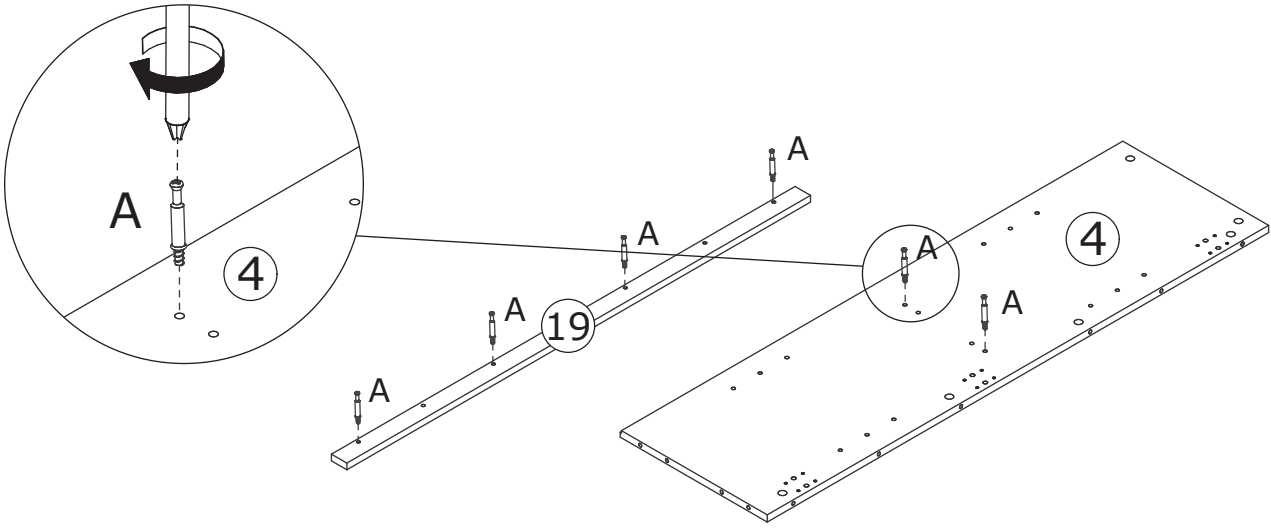
Fix board 21 to board 3 respectively using wooden dowel(V) and screw(S) as shown.



4



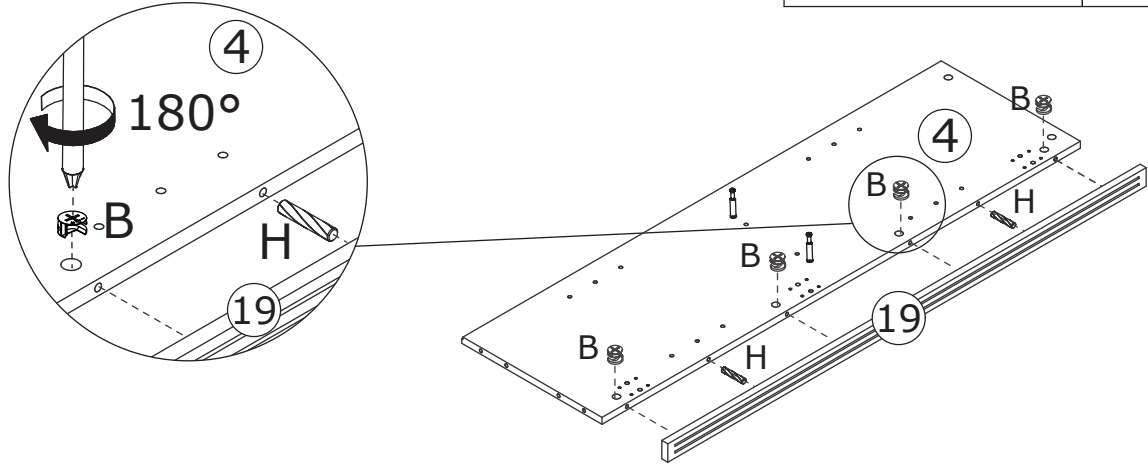
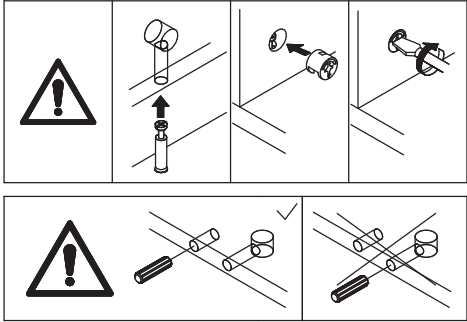
Screw eccentric rod(A) into board 4, and 19 with a screwdriver as shown.



5



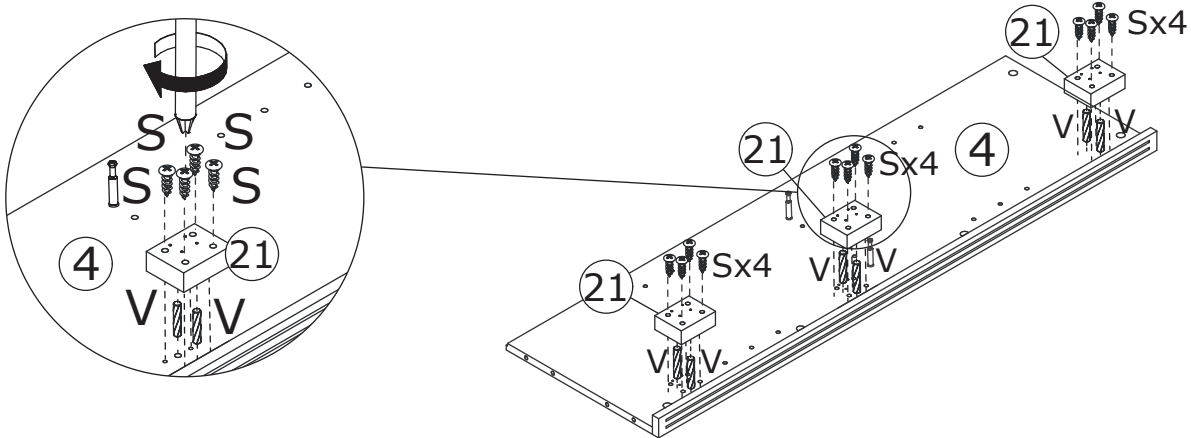
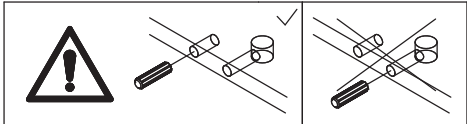
Attach board 19 to board 4 respectively using wooden dowel(H), add cam lock(B) into board 4 and turn clockwise to tighten as shown.



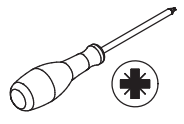
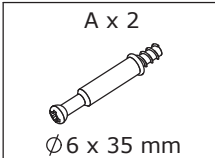
6



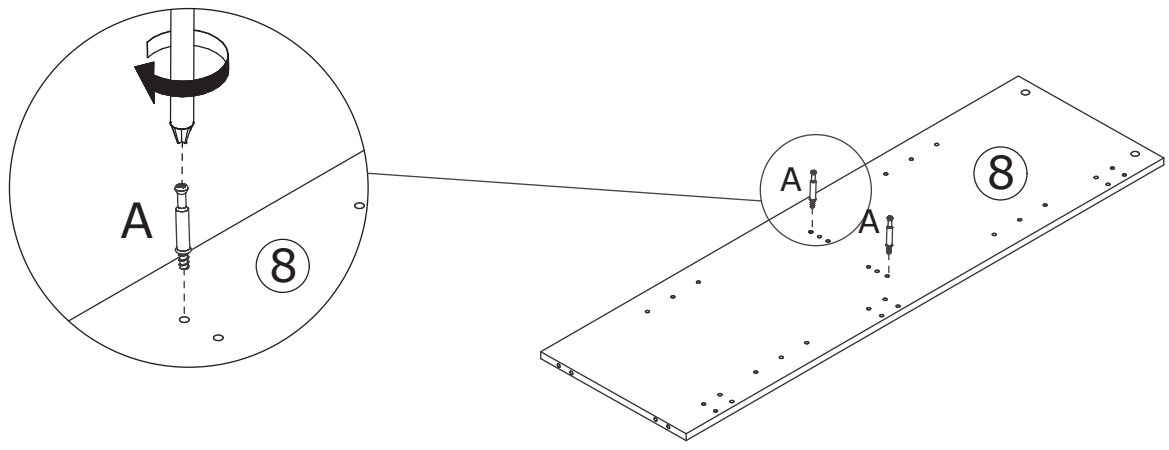
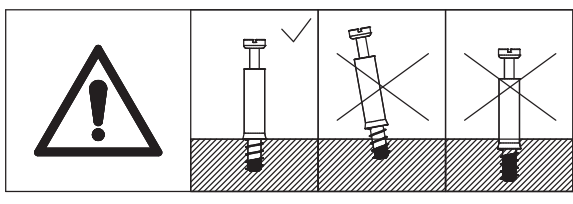
Fix board 21 to board 4 respectively using wooden dowel(V) and screw(S) as shown.



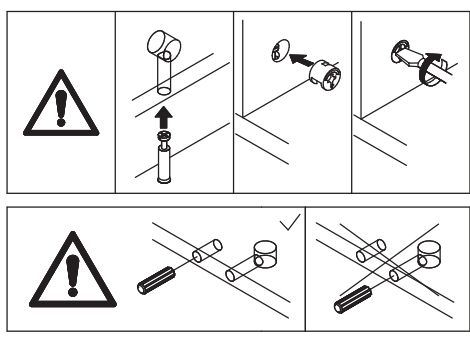
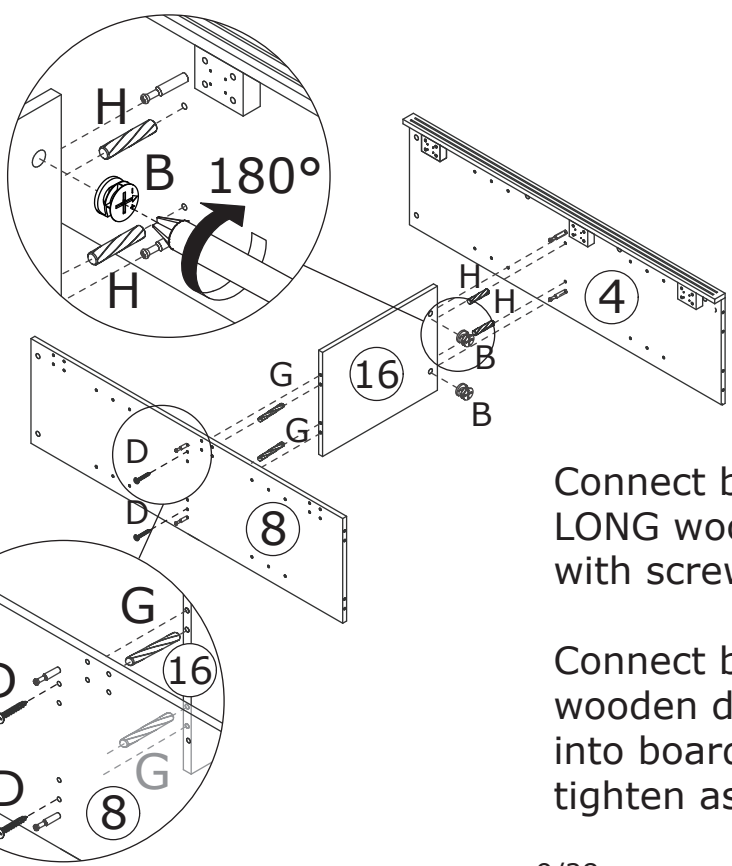
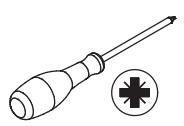
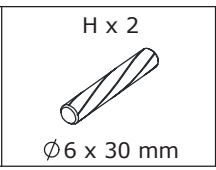
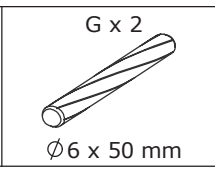
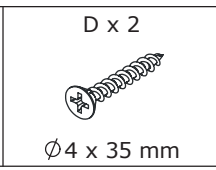
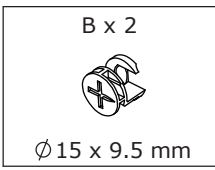
7



Screw eccentric rod(A) into board 8 as shown.



8

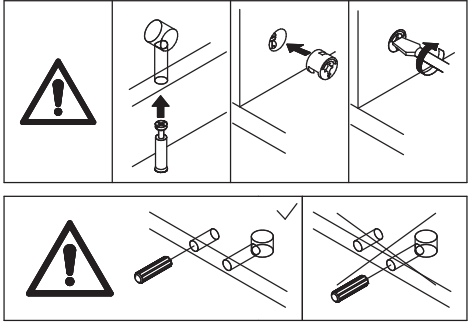


Connect board 8 to board 16 using LONG wooden dowel(G), and fix with screw(D) as shown.

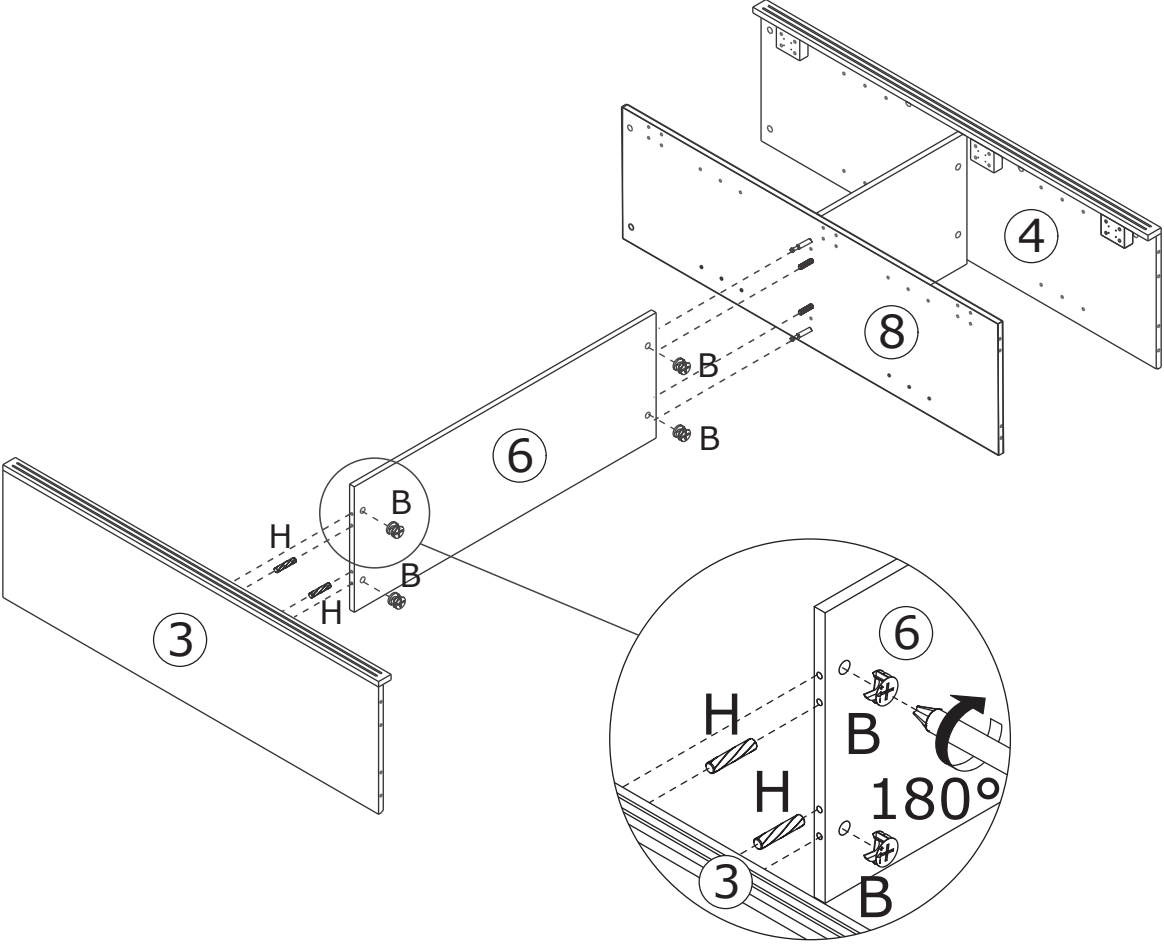
Connect board 4 to board 16 using wooden dowel(H), add cam lock(B) into board 16 and turn clockwise to tighten as shown.

9

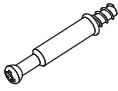


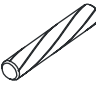
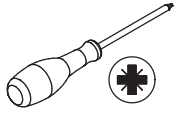
<p>B x 4</p>  <p>Ø15 x 9.5 mm</p>	<p>H x 2</p>  <p>Ø6 x 30 mm</p>	
--	--	---



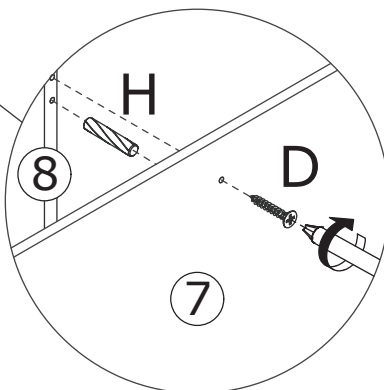
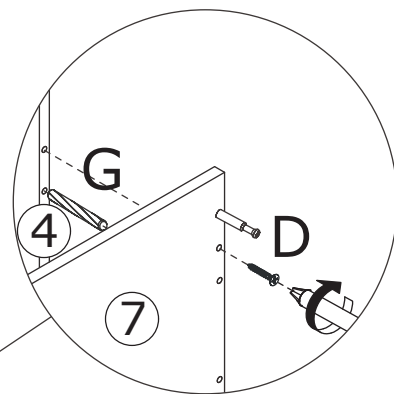
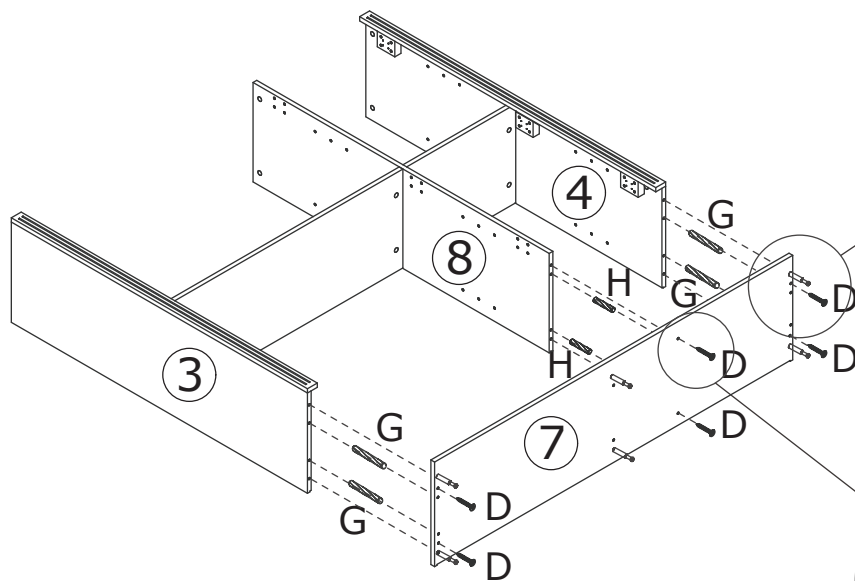
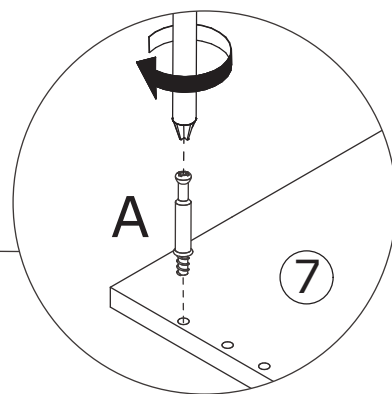
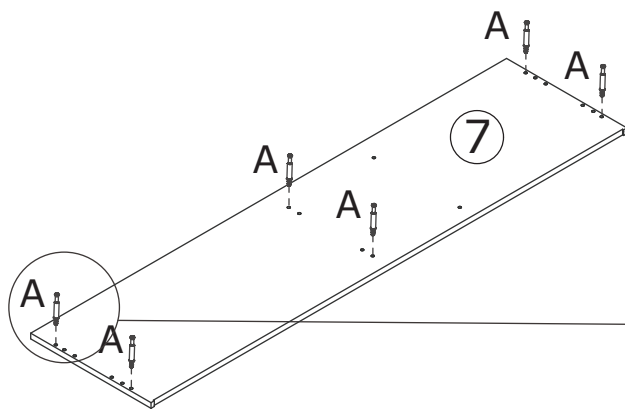
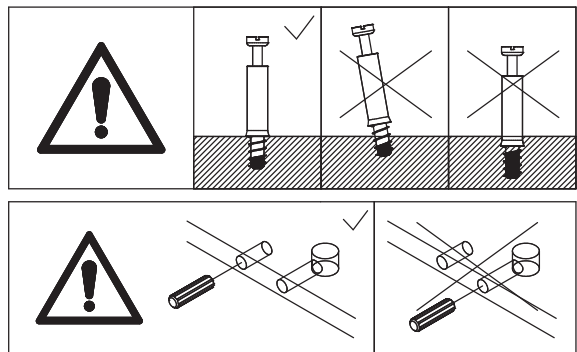
Connect board 6 to board 3 and 8 using wooden dowel(H), add cam lock(B) into board 6 and turn clockwise to tighten as shown.



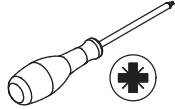
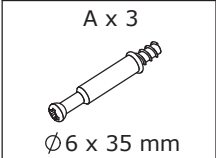
10

 A x 6 Ø6 x 35 mm	 D x 6 Ø4 x 35 mm	 G x 4 Ø6 x 50 mm	 H x 2 Ø6 x 30 mm	
--	--	--	---	---

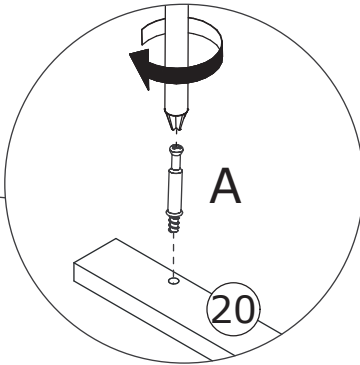
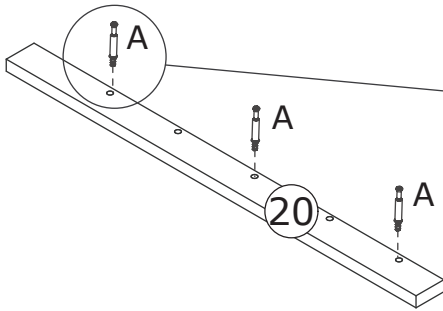
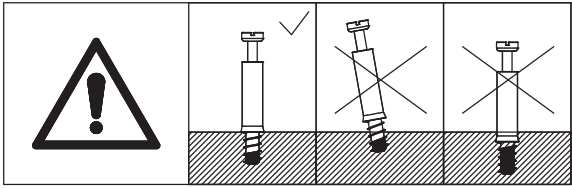
Screw eccentric rod(A) into board 7 as shown. Insert LONG wooden dowel(G) into board 3 and 4, wooden dowel(H) into board 8 at first. Fix board 7 to board 3, 8 and 4 with screw(D) as shown.



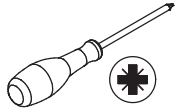
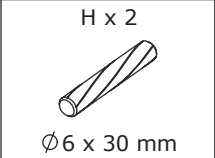
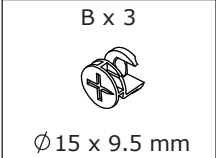
11



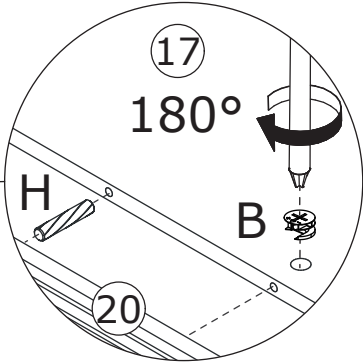
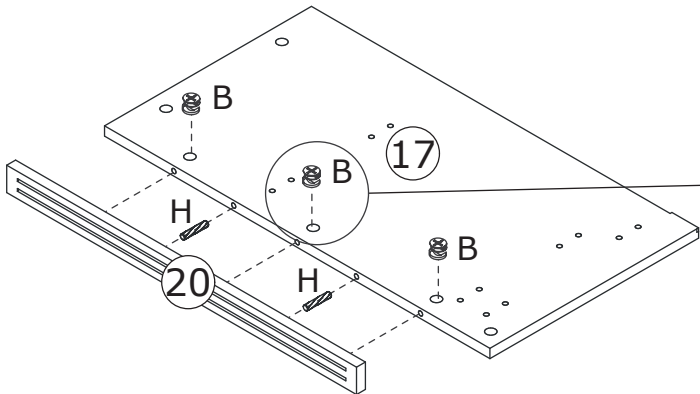
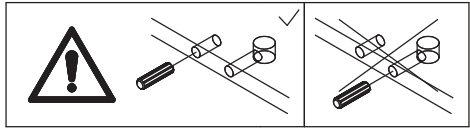
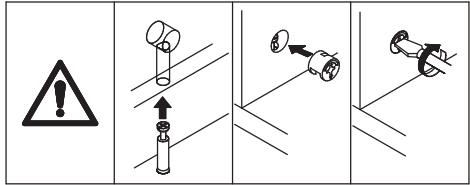
Screw eccentric rod(A)  
into board 20 as shown.



12



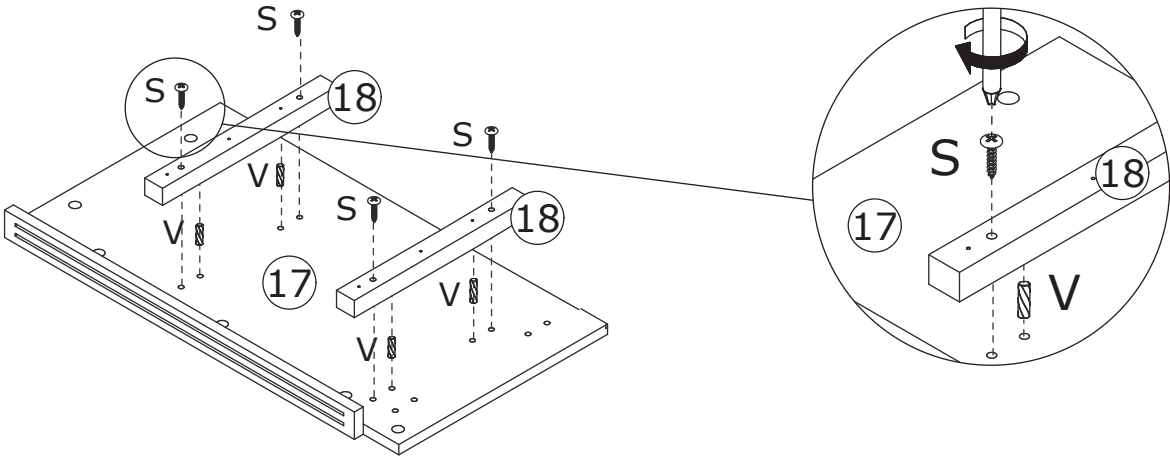
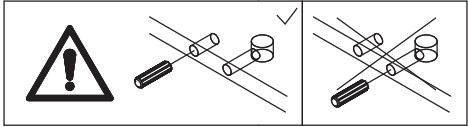
Attach board 20 to board 17 using wooden  
dowel(H), add cam lock(B) into board 17  
and turn clockwise to tighten as shown.



13



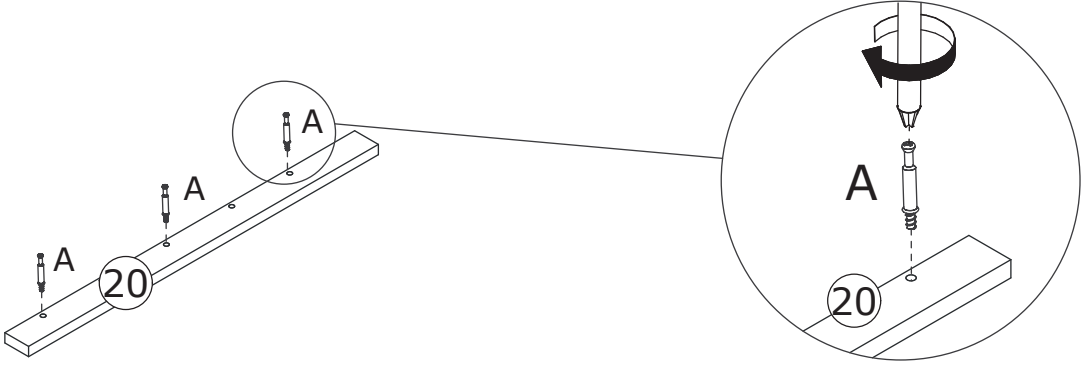
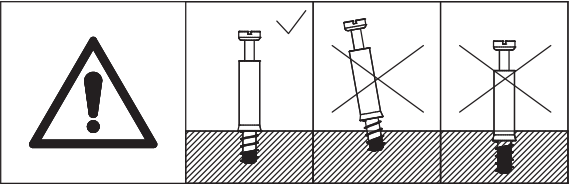
Attach board 18 to board 17 using SHORT wooden dowel(V) at first, and fix with screw(S) as shown.



14



Screw eccentric rod(A) into board 20 as shown.



# 15

B x 3

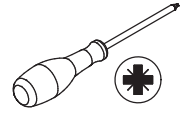


Ø15 x 9.5 mm

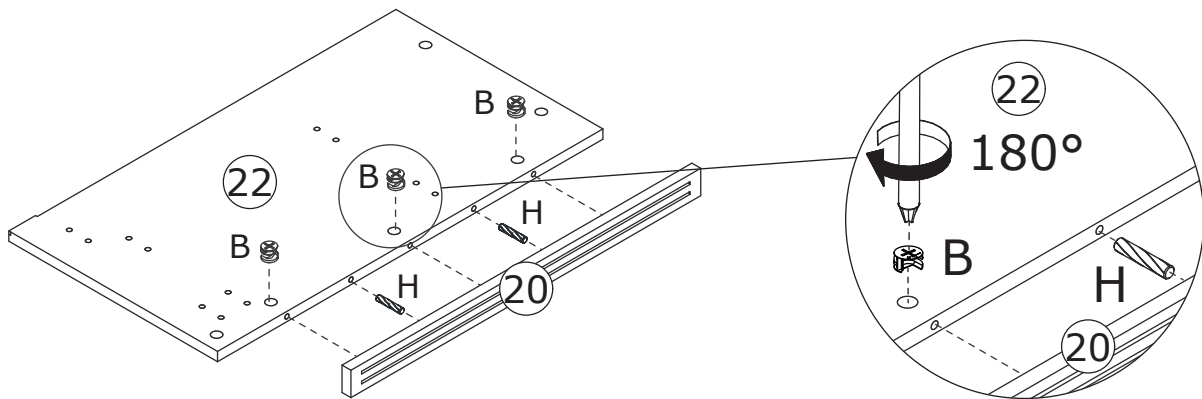
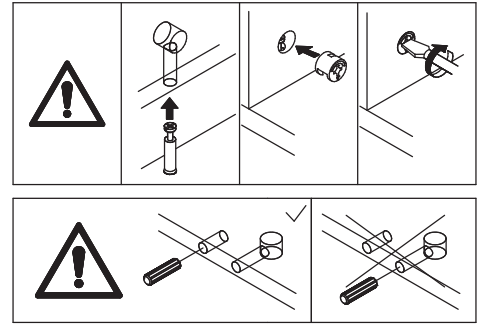
H x 2



Ø6 x 30 mm



Attach board 20 to board 22 using wooden dowel(H), add cam lock(B) into board 22 and turn clockwise to tighten as shown.



# 16

S x 4

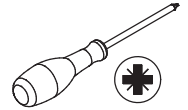


Ø4 x 25 mm

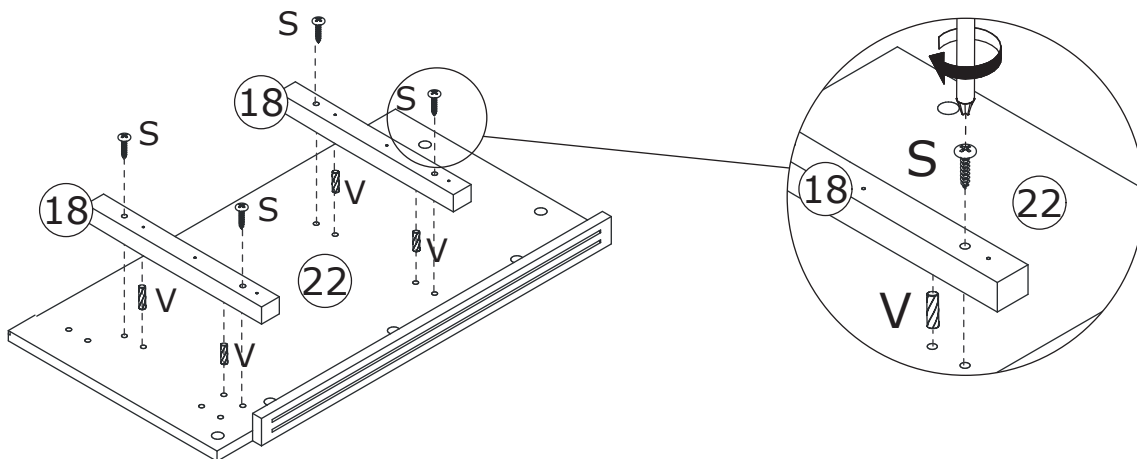
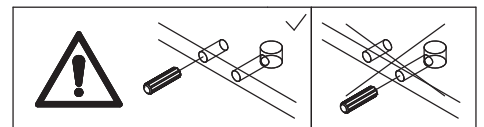
V x 4



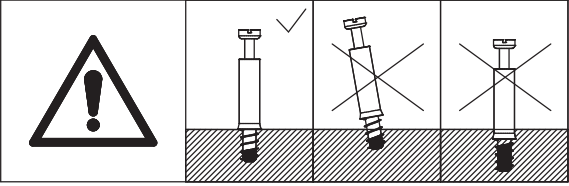
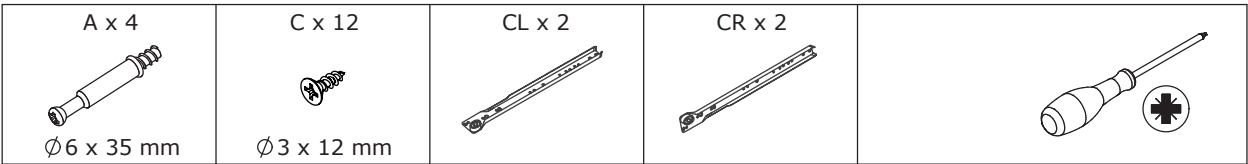
Ø6 x 25 mm



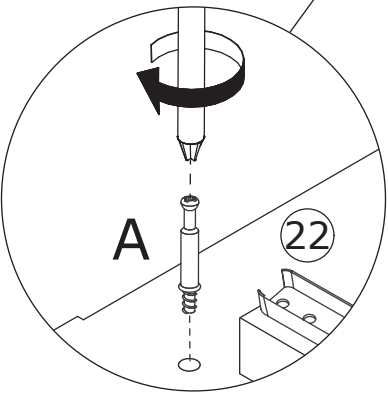
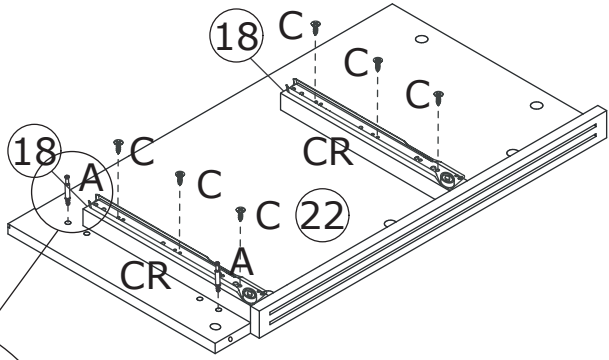
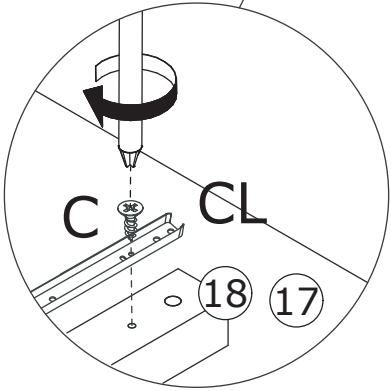
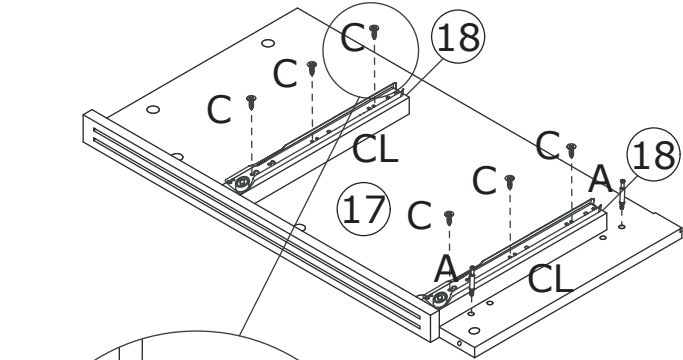
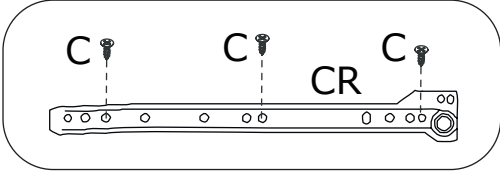
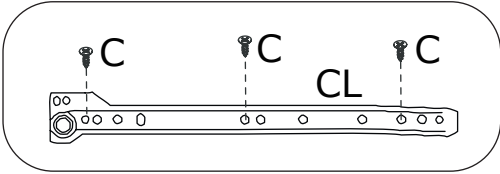
Attach board 18 to board 22 using SHORT wooden dowel(V) at first, and fix with screw(S) as shown.






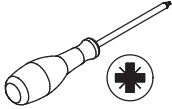
17



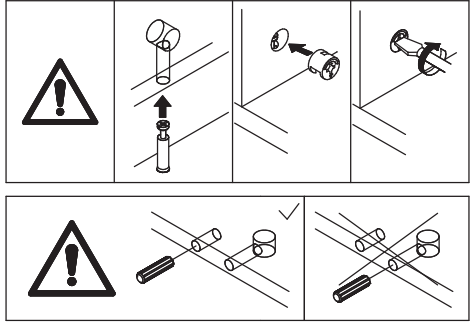
Fix slide rail(CL) to board 18 (assembled to board 17) with screw(C) as shown.  
Fix slide rail(CR) to board 18(assembled to board 22) with screw(C) as shown.  
Screw eccentric rod(A) into board 17 and 22 as shown.



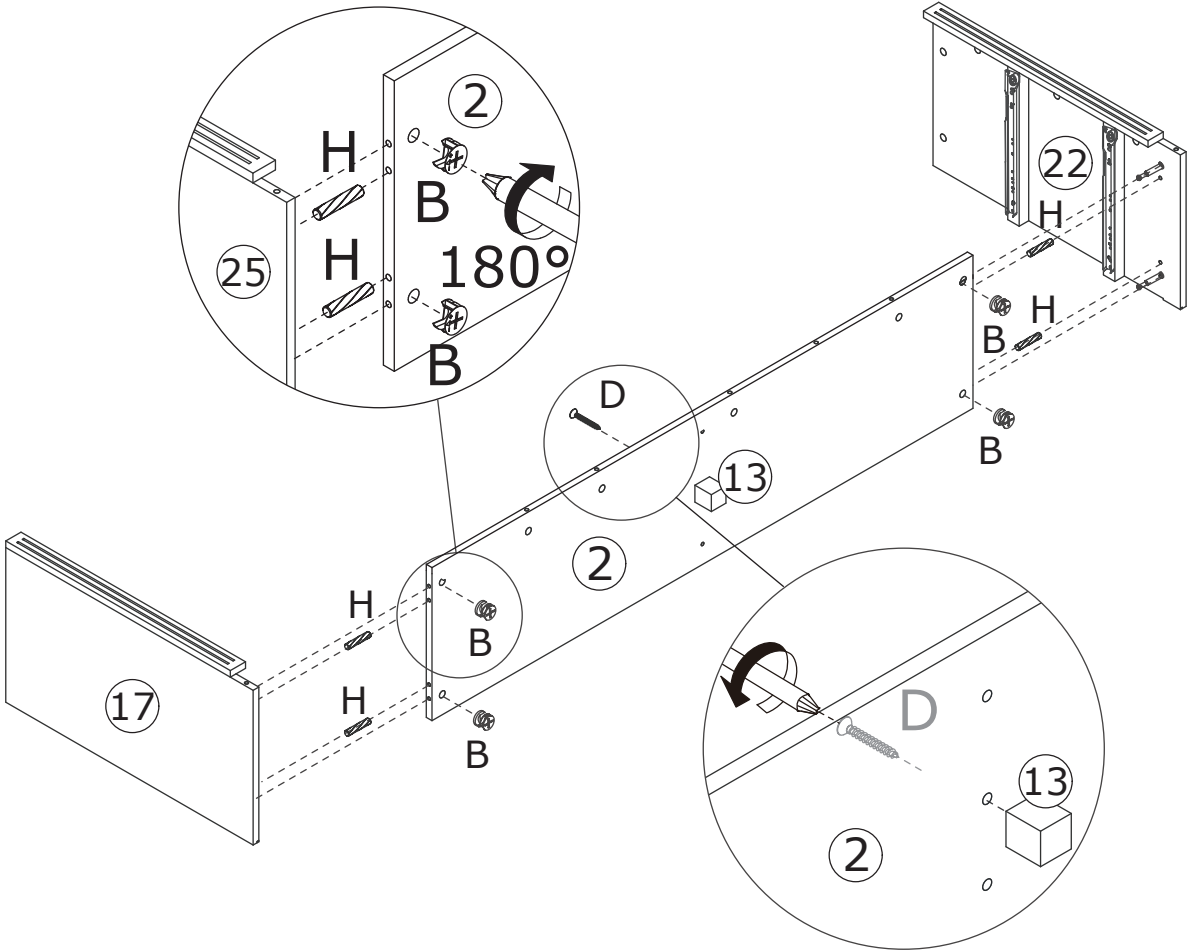
18

<p>B x 4</p>  <p>Ø15 x 9.5 mm</p>	<p>D x 1</p>  <p>Ø4 x 35 mm</p>	<p>H x 4</p>  <p>Ø6 x 30 mm</p>	
--	--	--	---

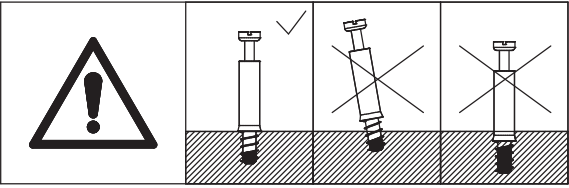
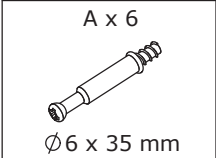
Connect board 2 to board 17 and 22 using wooden dowel(H), add cam lock(B) into board 2 and turn clockwise to tighten as shown.



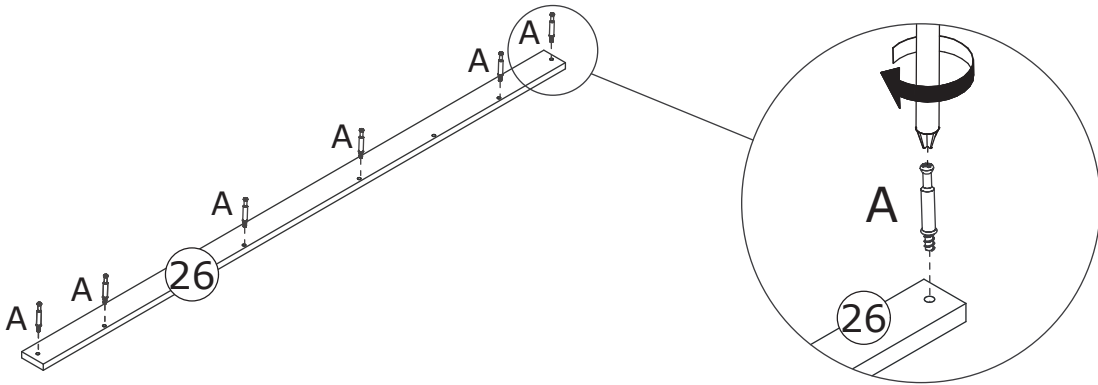
Fix leg support 13 to board 2 using screw(D) as shown.



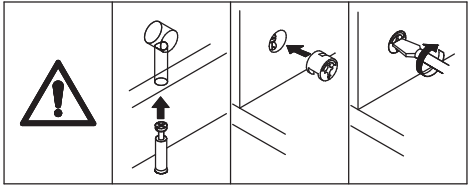
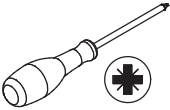
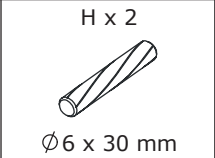
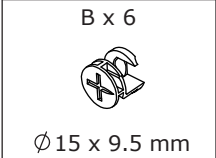
19



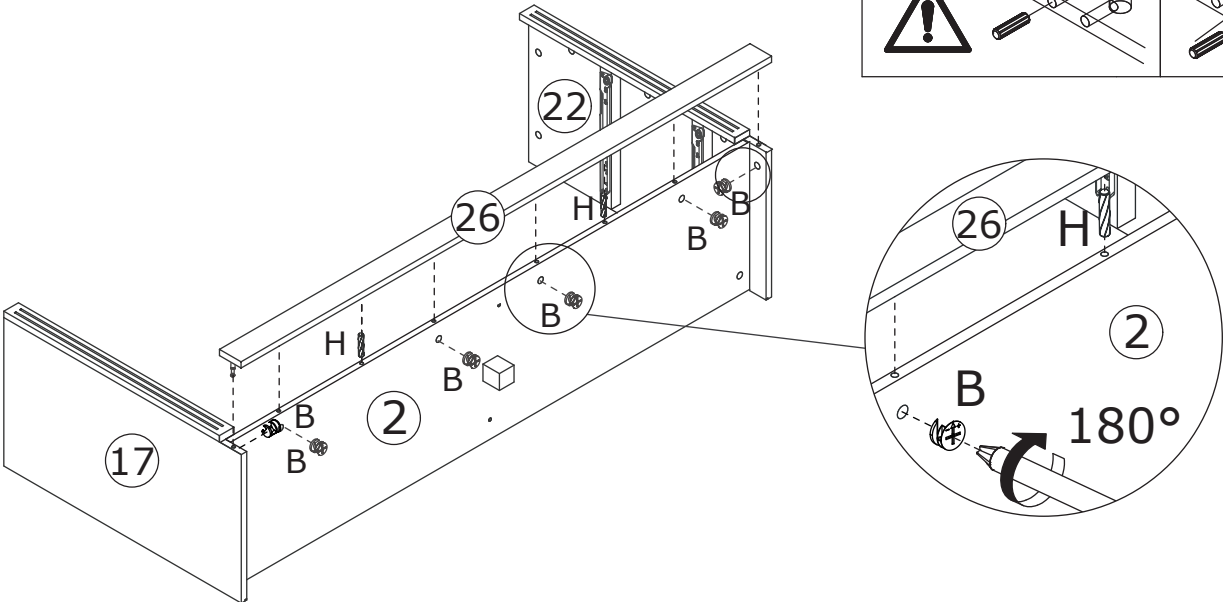
Screw eccentric rod(A)  
into board 26 at first.



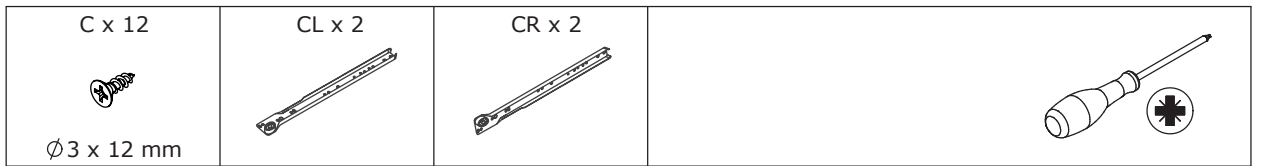
20



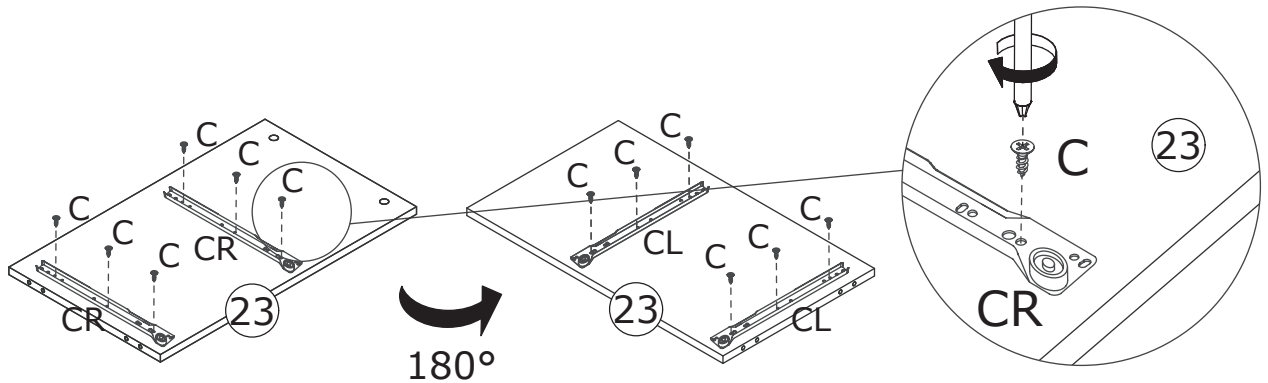
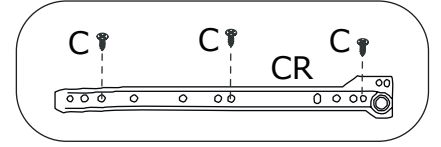
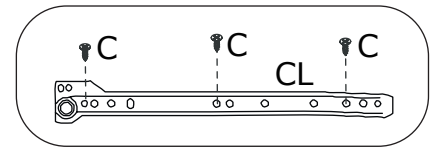
Attach board 26 to board 17, 2 and  
22 using wooden dowel(H), add cam  
lock(B) into board 17, 2, 22 and  
turn clockwise to tighten as shown.



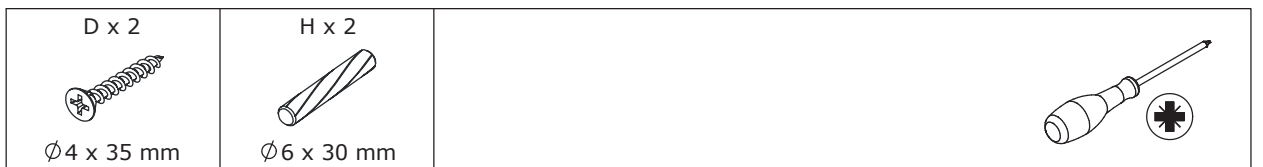
21



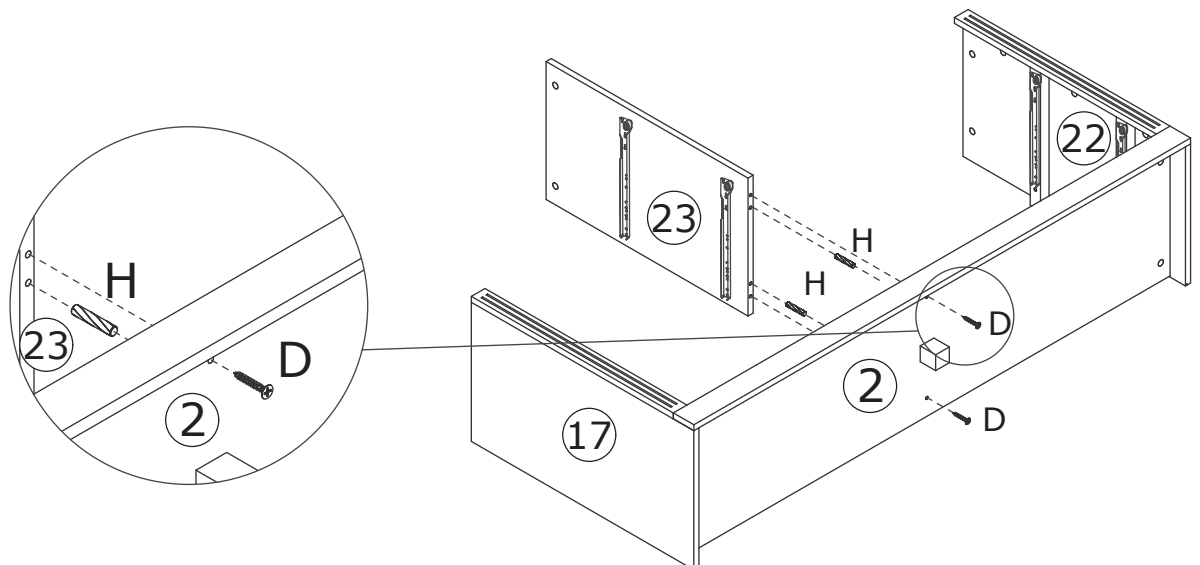
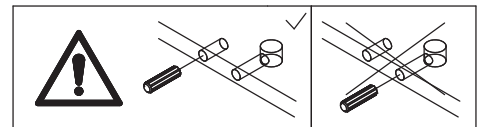
Fix slide rail(CR) to board 23 with screw(C) at first. Flip the board, fix slide rail(CL) with screw(C) as shown.



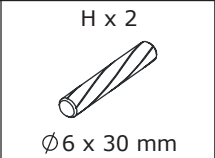
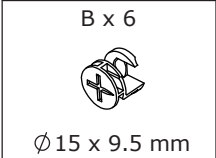
22



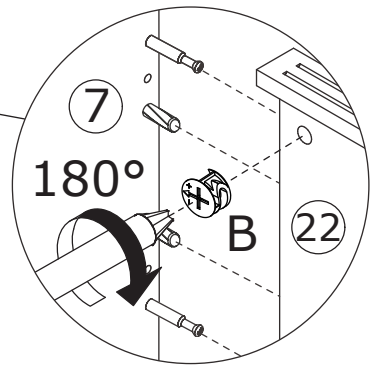
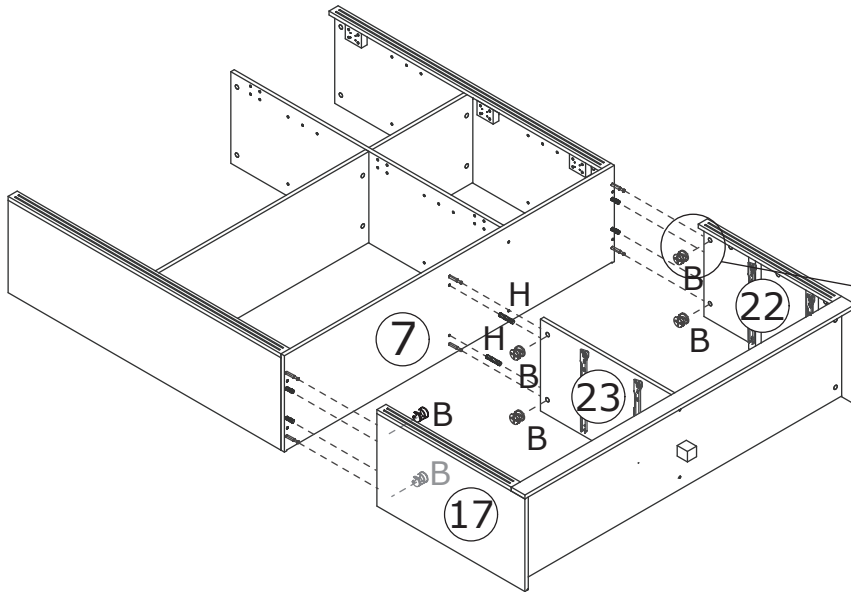
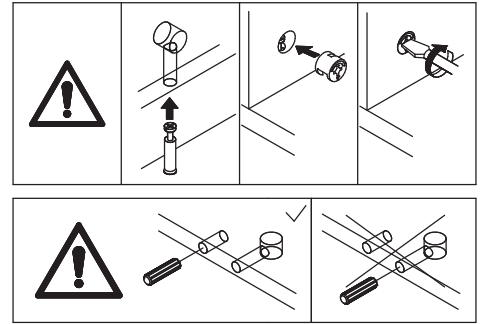
Attach board 23 to board 2 using wooden dowel(H) at first, and fix with screw(D) as shown.



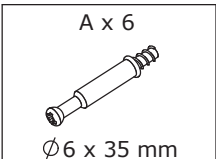
23



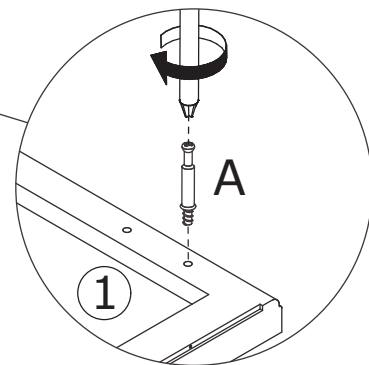
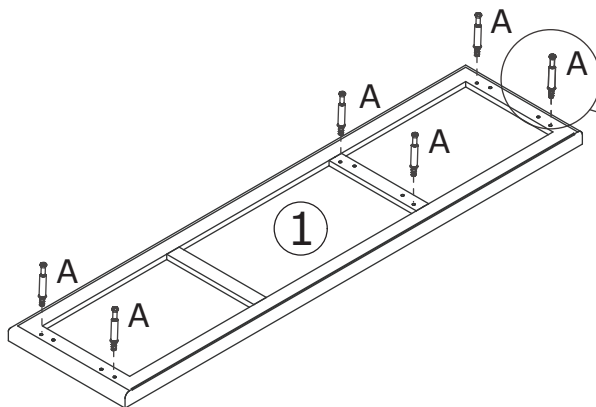
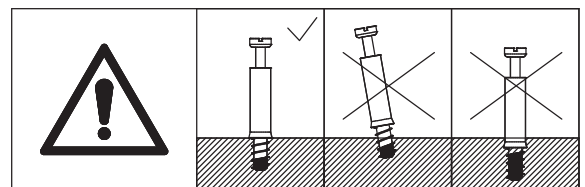
Insert wooden dowel(H) into board 23 at first. Connect the two assembled components, add cam lock(B) into board 17, 23, 22 and turn clockwise to tighten as shown.



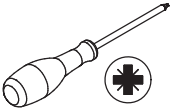
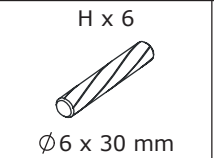
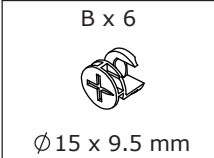
24



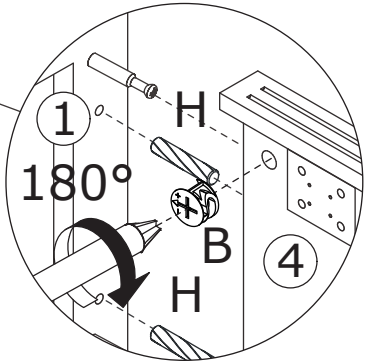
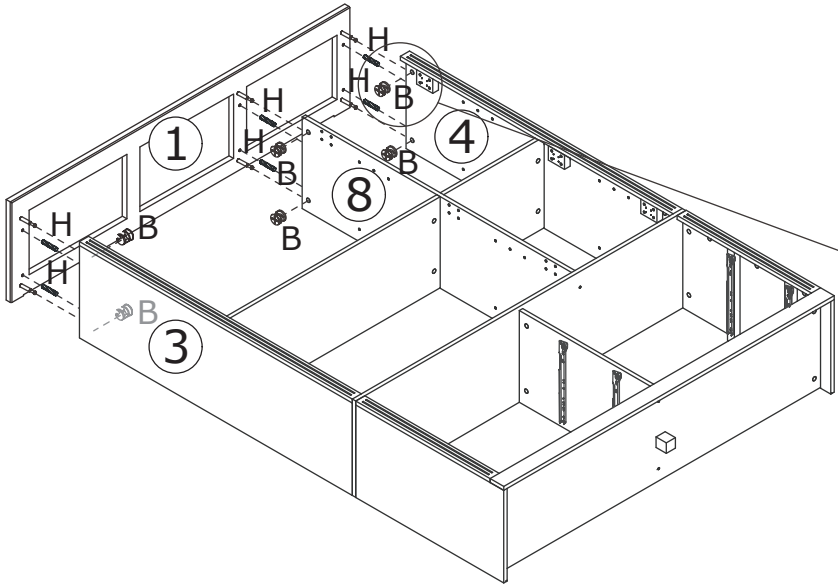
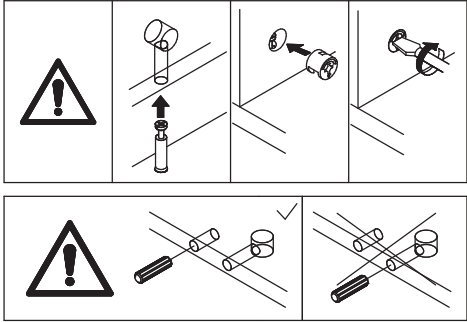
Screw eccentric rod(A) into board 1 at first.



25

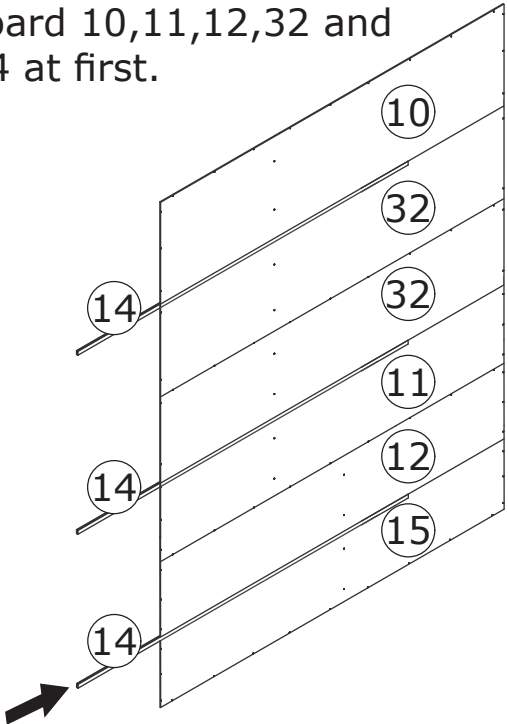


Cover board 1 to the top using wooden dowel(H), add cam lock(B) into and turn clockwise to tighten as shown.



26

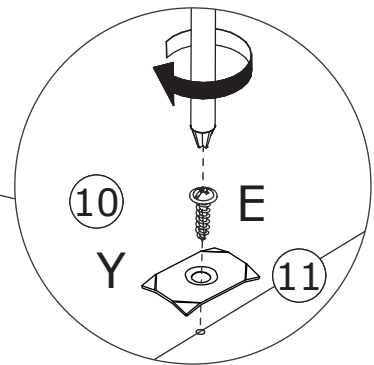
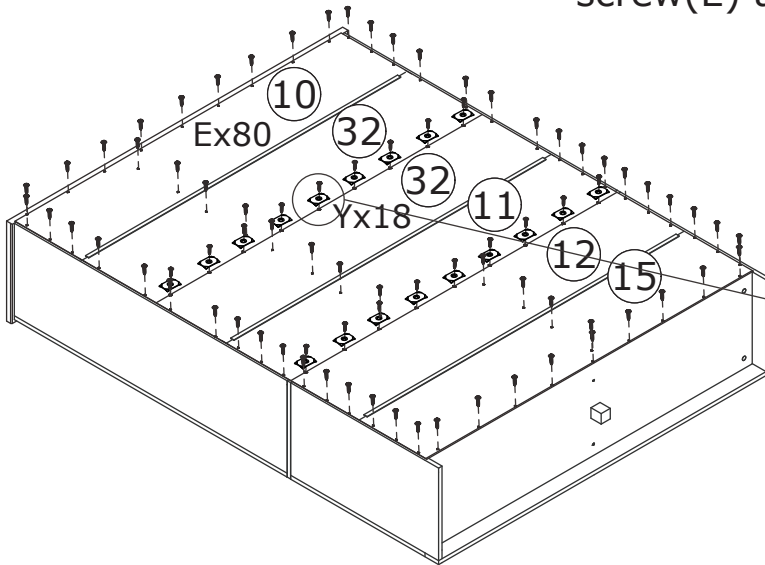
Connect each board 10,11,12,32 and 15 with plank 14 at first.



27



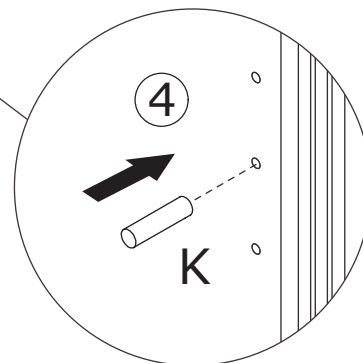
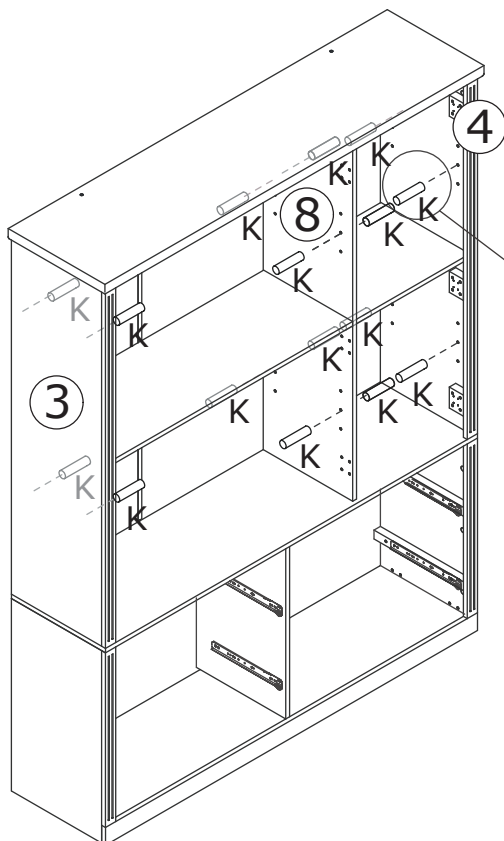
Fix back board 10, 11, 12 and 15 to cabinet with iron sheet(Y) and screw(E) as shown.



28

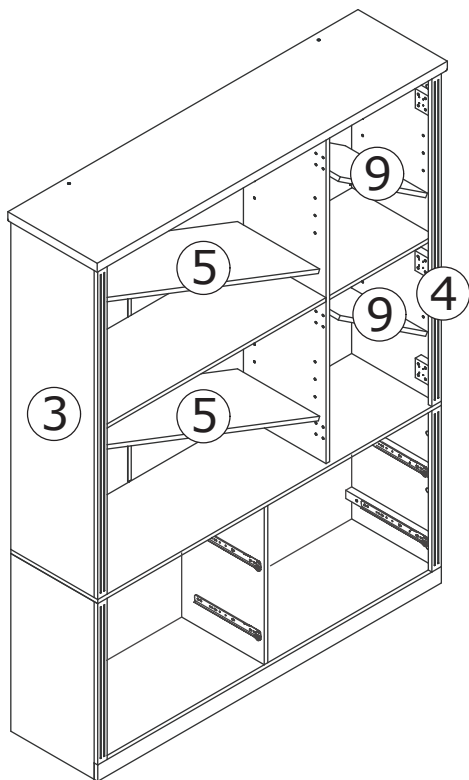


Insert layer pin(K) to board 3, 8 and 4.

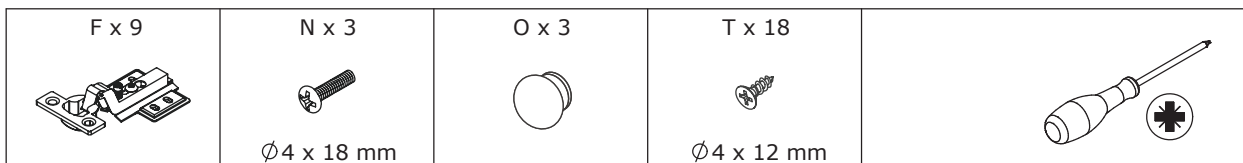


29

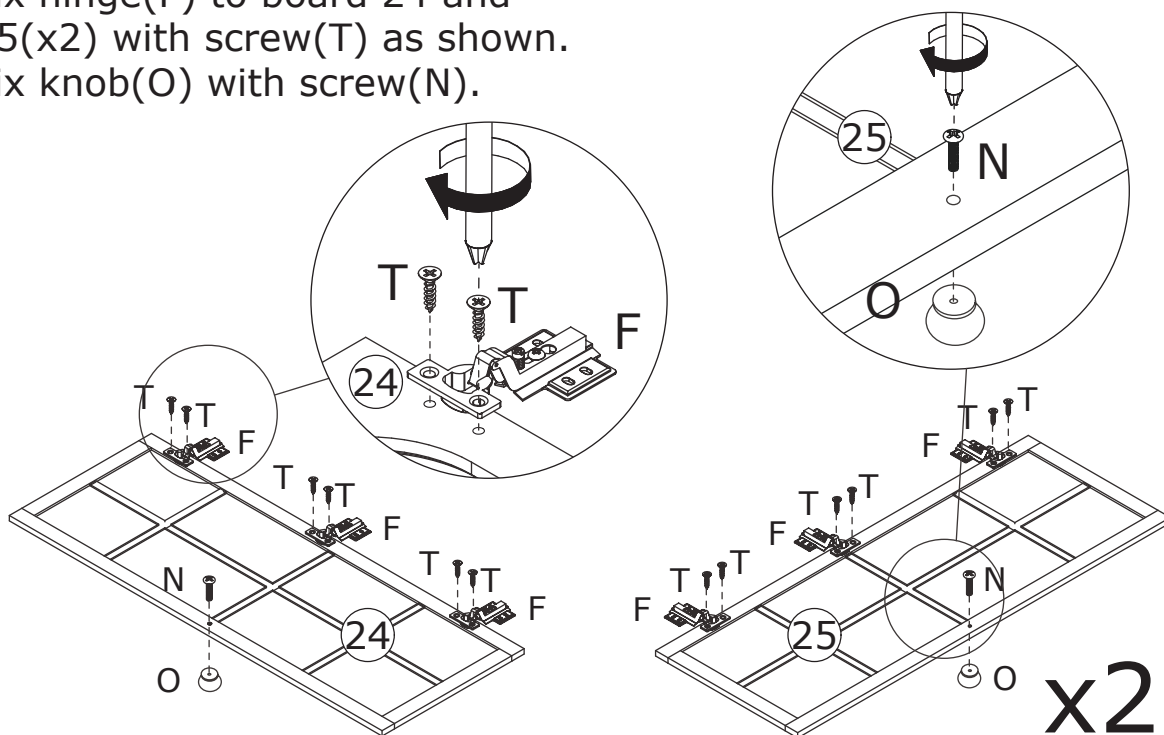
place shelf board  
5 and 9 in as shown.



30

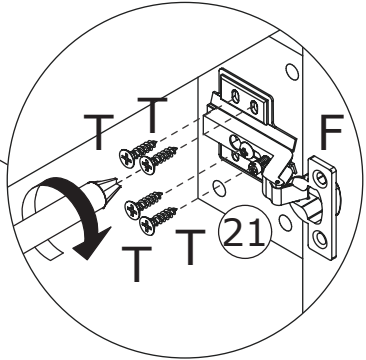
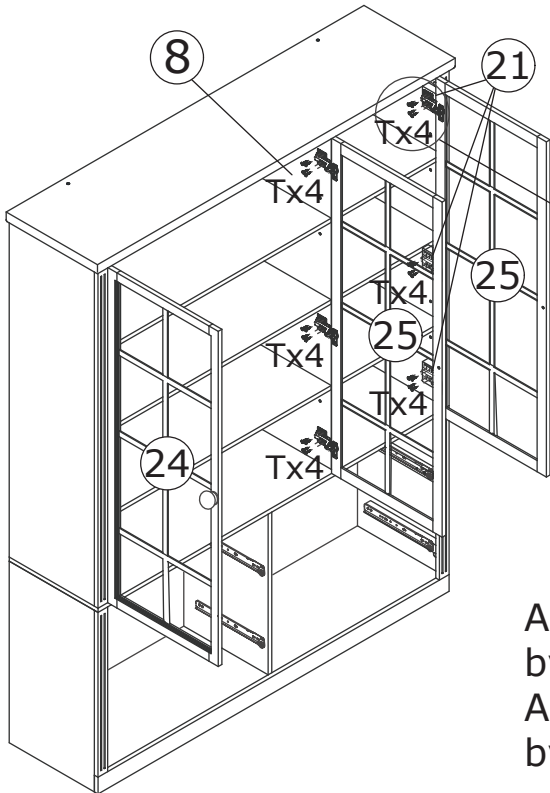


Fix hinge(F) to board 24 and  
25(x2) with screw(T) as shown.  
Fix knob(O) with screw(N).



31

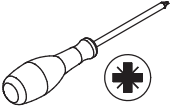
T x 36  
Ø4 x 12 mm



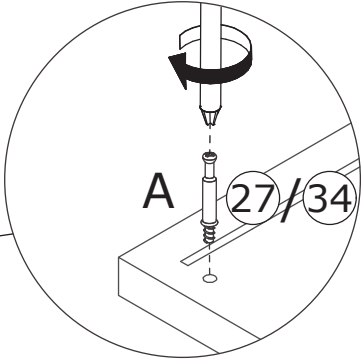
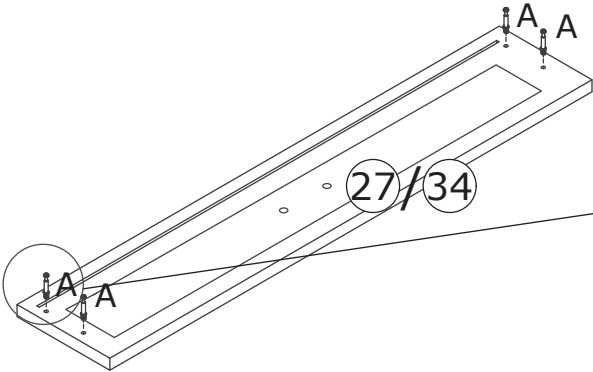
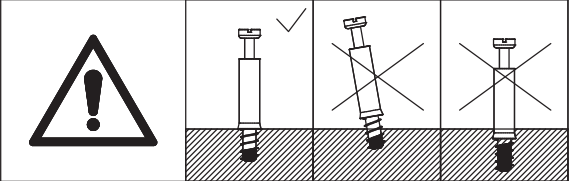
Assemble door 24 and 25 to board 21 by fixing hinge with screw(T) as shown. Assemble another door 25 to board 8 by fixing hinge with screw(T) as shown.

32

A x 16  
Ø6 x 35 mm



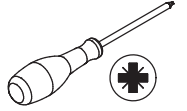
Screw eccentric rod(A) into board 27 and 34 at first.



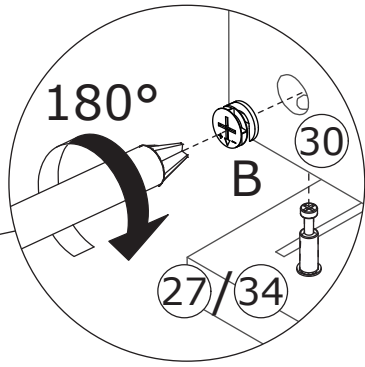
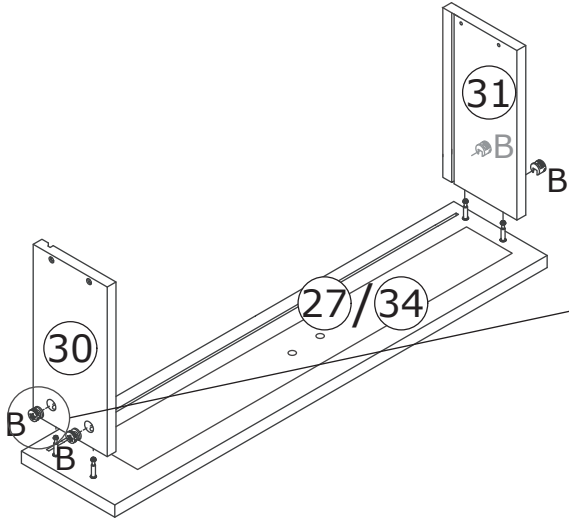
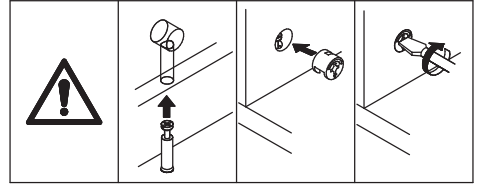
x4

33

B x 16  
Ø 15 x 9.5 mm



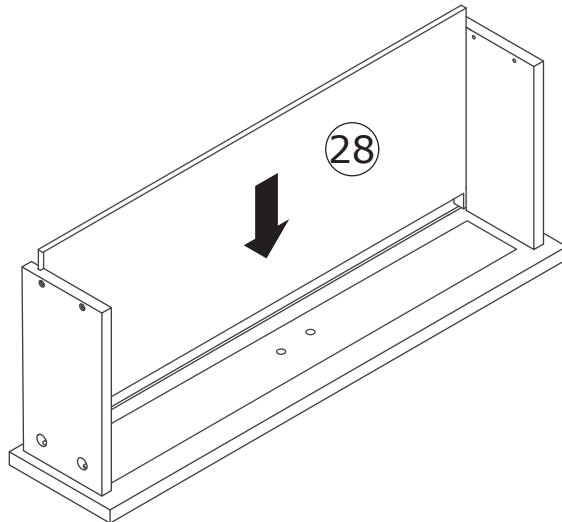
Attach board 27 to board 34 to board 30 and 31, add cam lock(B) into and turn clockwise to tighten as shown.



x4

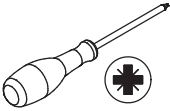
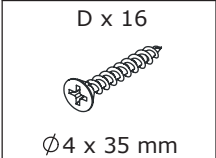
34

Insert bottom board 28 along available grooves as shown.

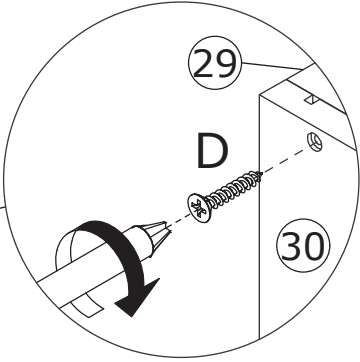
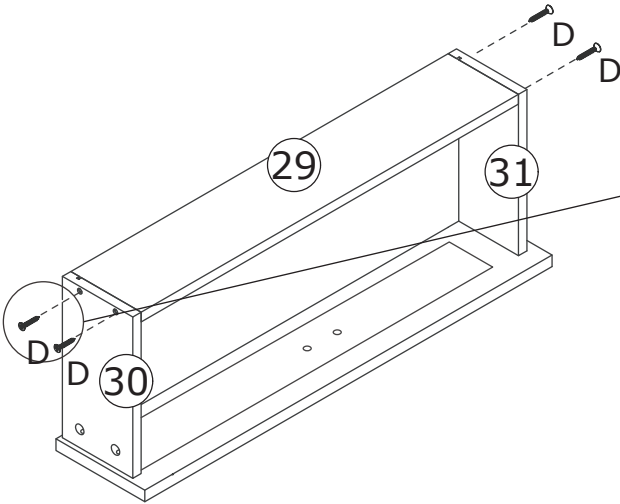


x4

35

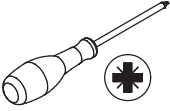
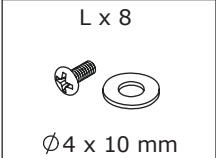


Fix board 29 to board 30 and 31 with screw(D) at first.

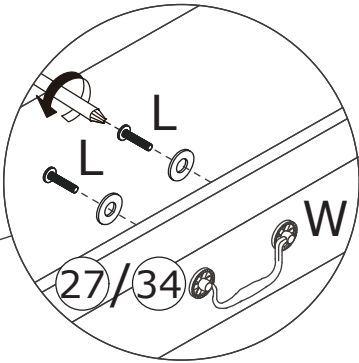
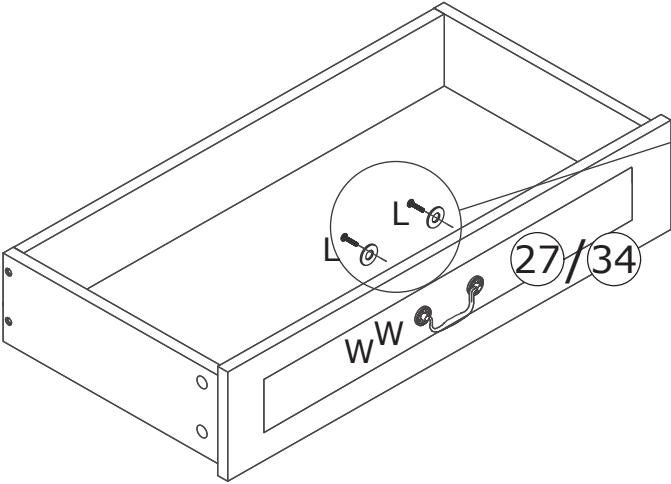


x4

36

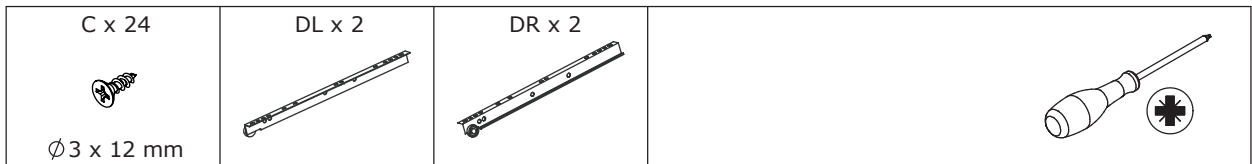


Fix handle(W) to board 27 and 34 with screw(L) as shown.

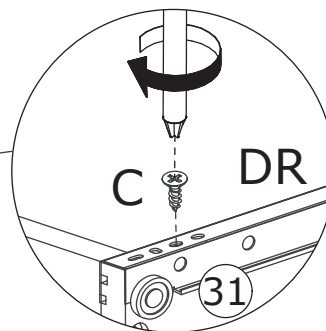
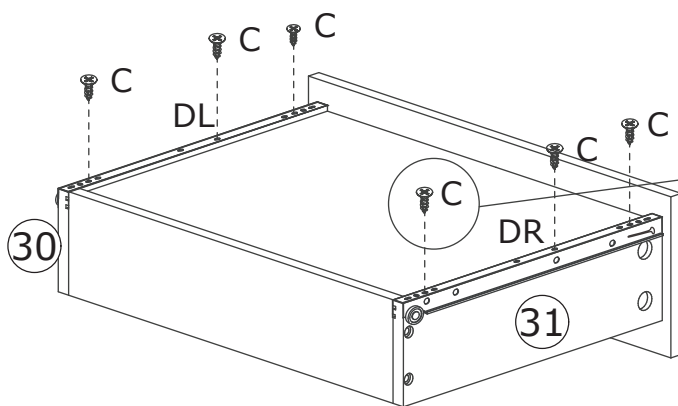
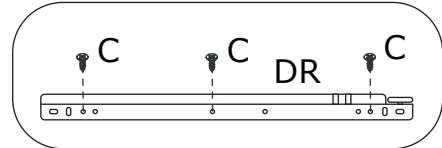
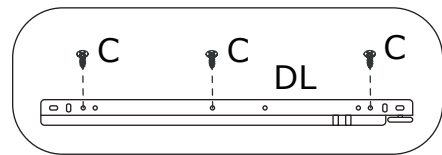


x4

37

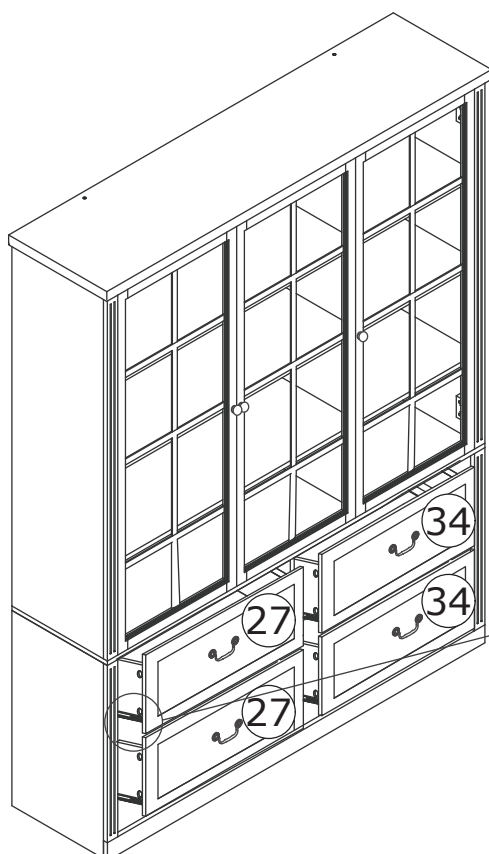


Fix runner(DL) and (DR) to board 30 and 31 respectively with screw(C) as shown.

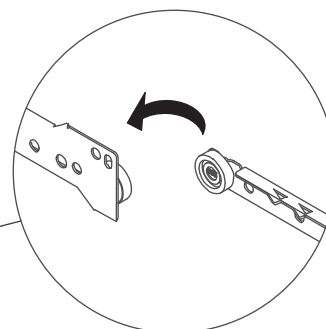


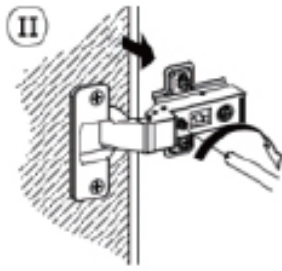
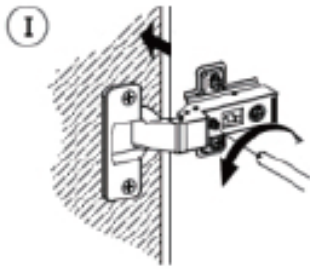
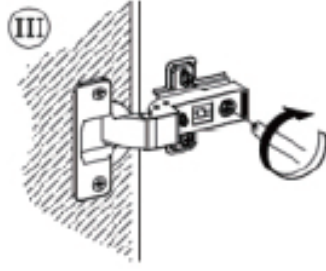
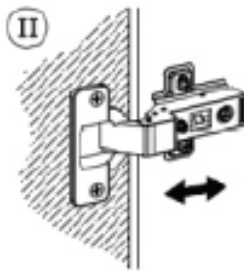
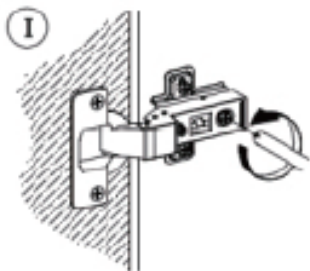
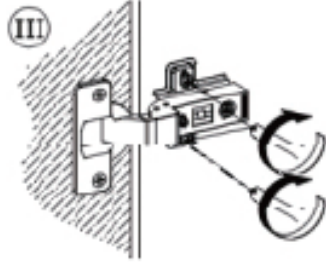
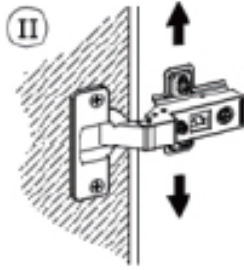
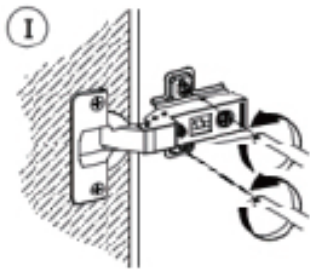
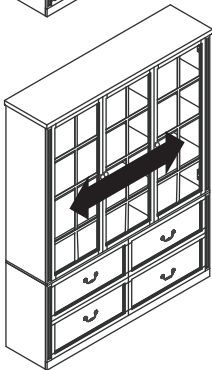
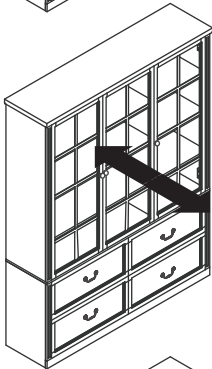
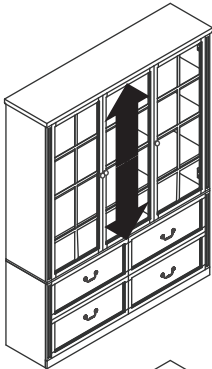
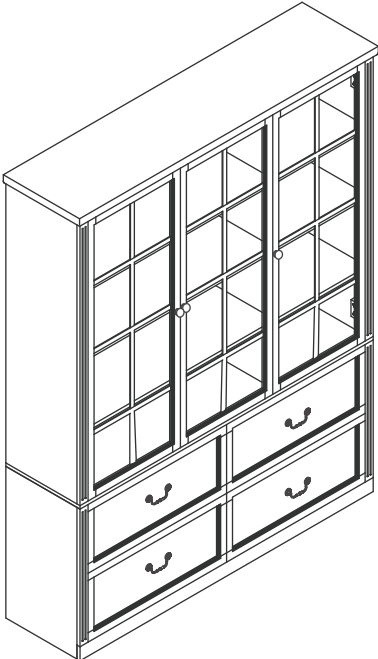
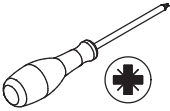
x4

38

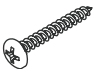






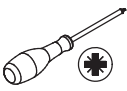


Insert drawers in.  
Number 27 is on the left.  
Number 34 is on the right.

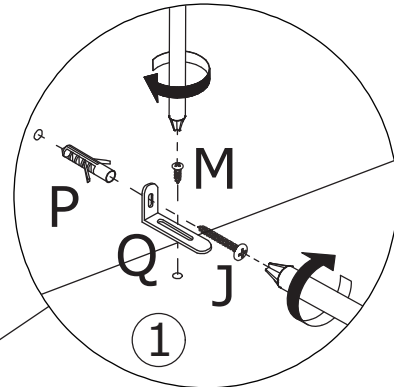




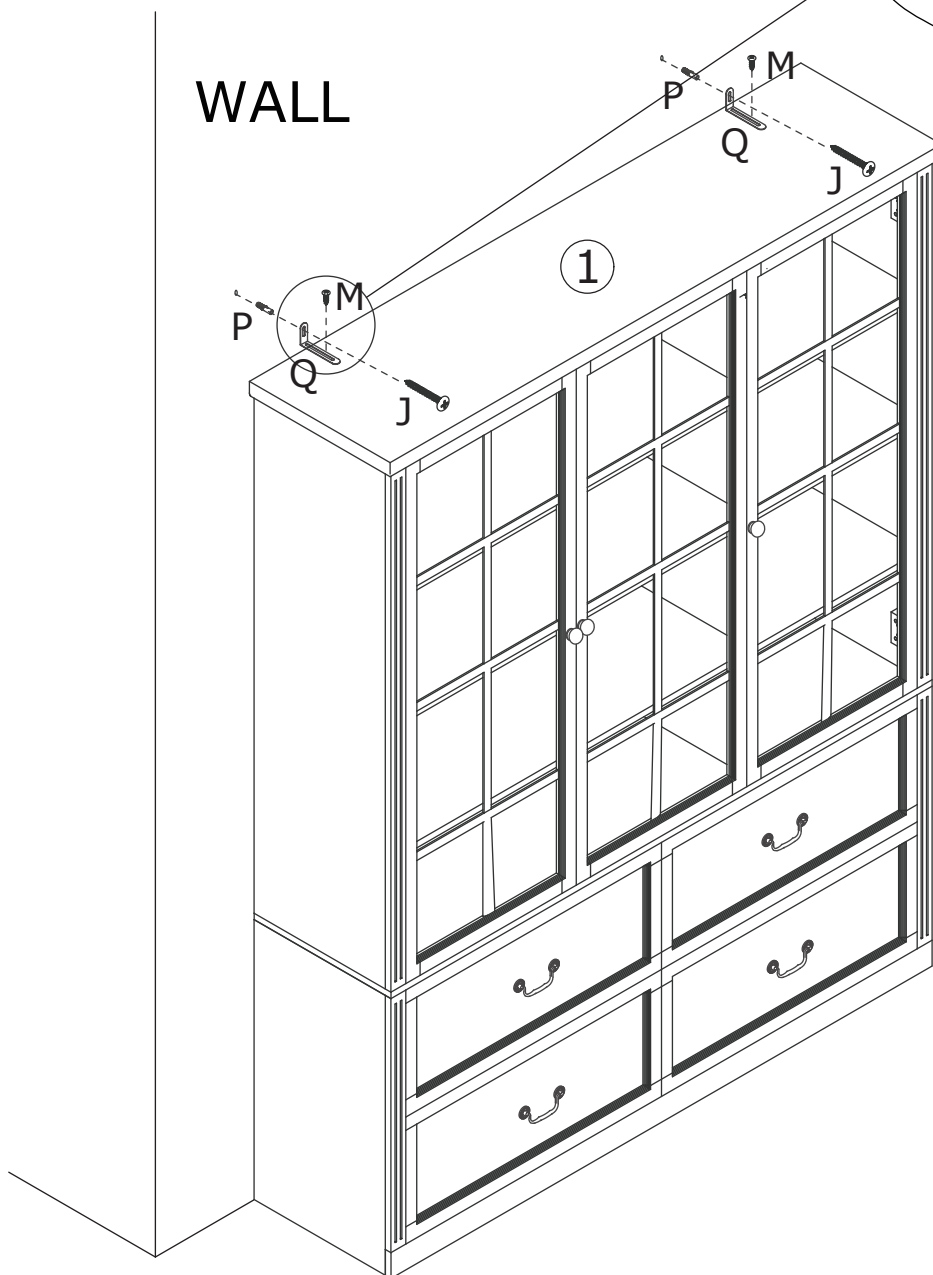
40

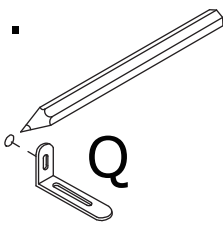
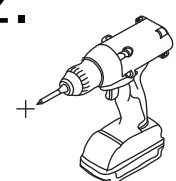
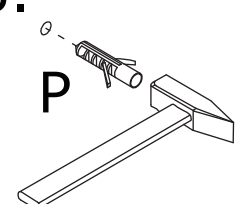
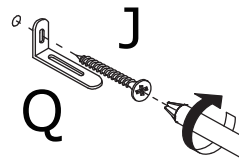
J x 2  Ø4 x 40 mm	M x 2  Ø4 x 12 mm	P x 2 	Q x 2 	   
--	--	--	--	---

Drill holes on your wall, and install anti-tipping device as shown.



WALL



1. 
2. 
3. 
4. 

# WARRANTY

## WARRANTY CLAIMS

- There is a 30-day warranty for broken furniture or any other problems that do not work properly. The warranty will start from the date of purchase which must be verified by proof of purchase.
- Before making a claim, we may be able to answer your query, simply call us. Please leave your purchase order number, along with some details of the problem, if you want a replacement part. We will arrange within 48 hours. If there is out of stock, we will reply with a shipping date.
- The product must be used in accordance with the instructions provided. For health reasons.
- For other reasons, if the furniture needs to be returned, it must be cleaned and dried and operated within 30 days of receipt.

## Type of Warranty Claim

- Failure to follow the furniture instructions will invalidate the warranty. Attention please.
- Does not include damage during installation, but includes damage during transportation.

## Scope of responsibility

- Shall not bear any responsibility for misuse or user damage and / or loss of parts during the installation of furniture.
- After using, the damage and scratches of the furniture are not covered by the warranty.

## The Warranty Relates to All Bought in The Us and Covers The Following Areas

- Sheet parts: 1 month from the date of purchase.
- Electrical parts: 1 month from the date of purchase.