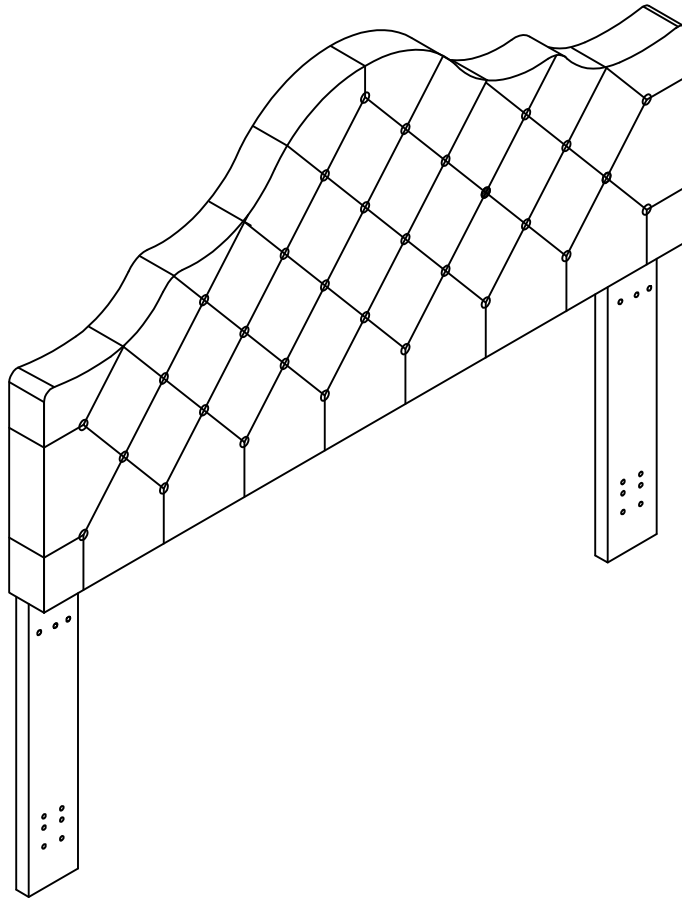


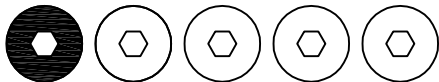
Assembly Instructions



ASSEMBLY RATING

The Assembly Rating is a 5-point system that shows the degree of effort needed in assembling a specific product (with 1 being easy and 5 being difficult). For some products, two persons are recommended.

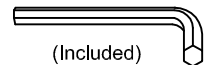
EASY



DIFFICULT

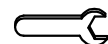
Tools Required For Assembly:

Allen Wrench

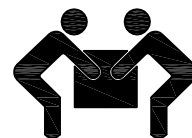


(Included)

Wrench



(Included)

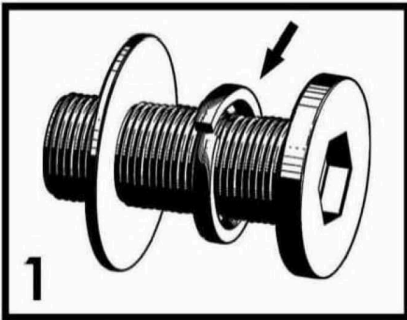


2 PERSONS RECOMMENDED

ASSEMBLY & CARE ADVICE

FOR YOUR FURNITURE TO LAST, CORRECT ASSEMBLY AND PROPER MAINTENANCE ARE NECESSARY. PLEASE FOLLOW THE INFORMATION PROVIDED BELOW TO FULLY ENJOY YOUR FURNITURE.

BASIC ASSEMBLY TECHNIQUES



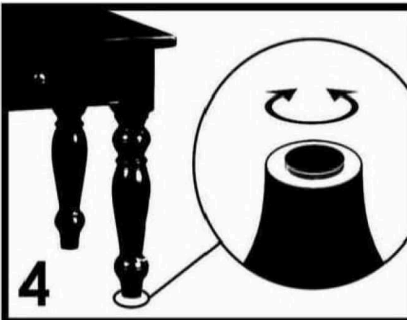
When lock or spring washer is used in an assembly, please make sure the lock or spring washer is placed between the larger flat washer and the head of the screw or bolt.



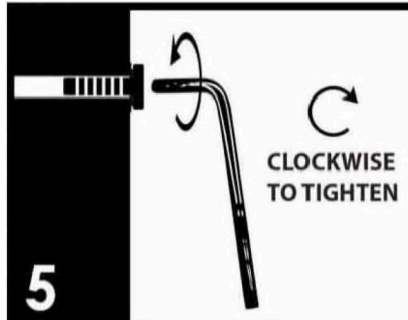
Position each part correctly and insert screws or bolts into their respective holes by hand tighten or using the proper hand tool. Only tighten when step is completed or when instructed to do so.



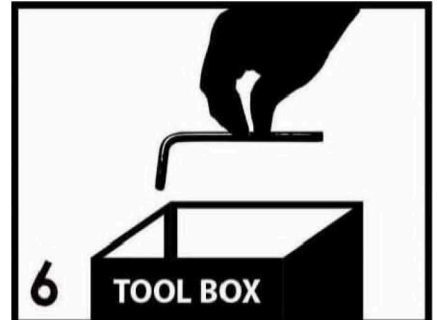
Use cardboard or carpet area when assembling furniture to prevent scratches. Make sure the furniture rests on a flat and level surface with each leg evenly touching the floor.



Some furniture comes with height adjustment knobs underneath each leg. To lower or to raise each leg, you need to turn clockwise or counterclockwise, respectively.

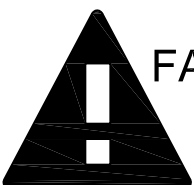


Make sure all parts are properly aligned, then use the appropriate hand tool to completely tighten the bolts or screws. Do not use power tools and do not overtighten.

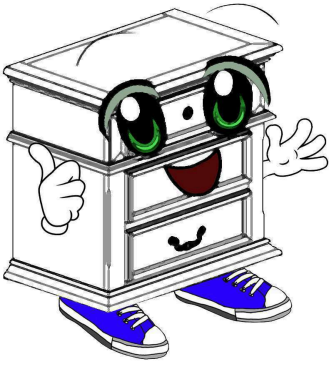


Save the instructions and store the Allen wrench or any supplied tool for later maintenance. After two weeks, check and tighten any loose hardware and repeat again every six months thereafter.

IT IS THE USER'S RESPONSIBILITY TO MAINTAIN THE FURNITURE. THE HARDWARE MAY LOOSEN OVER TIME AND MAY CAUSE THE FURNITURE TO BE WOBBLY AND UNABLE TO SUPPORT ITS INTENDED WEIGHT CAPACITY. THIS MAY LEAD TO COLLAPSE AND MAY CAUSE SERIOUS INJURY.



FAILURE TO FOLLOW THE GUIDELINES ABOVE MAY RESULT IN INJURY AND/OR PROPERTY DAMAGE.

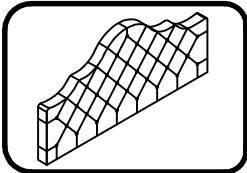


Before you begin, please read Page 2 of "Assembly and Care Advice".

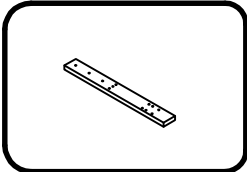
And remember, do not tighten until each step is completed or instructed.

Parts List

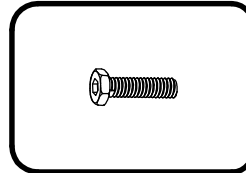
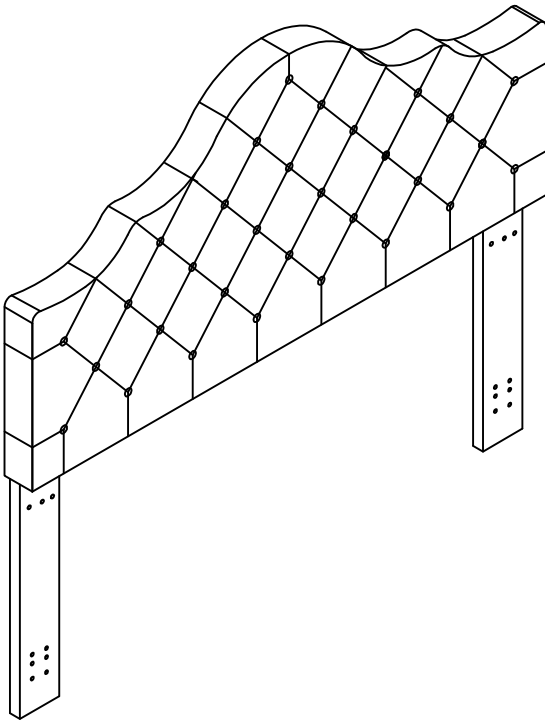
Hardware List



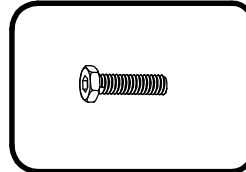
#1 x 1pc
Headboard



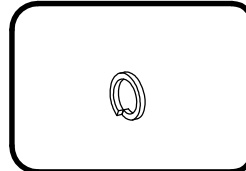
#2 x 2pcs
Leg



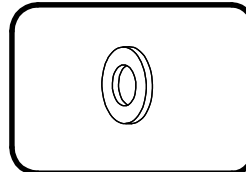
#A x 6pcs
Bolt Ø5/16"X1-1/4"



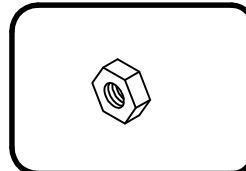
#B x 4pcs
Bolt Ø5/16"X 2-1/2"



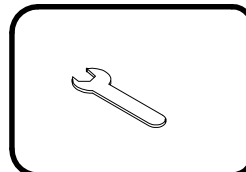
#C x 14pcs
Lock Washer Ø5/16"



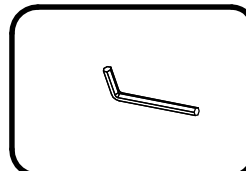
#D x 14pcs
Flat Washer Ø5/16"



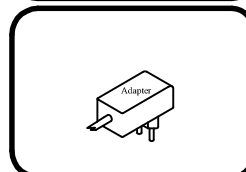
#E x 4pcs
Hex Nut



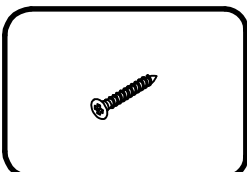
#F x 1pc
Wrench



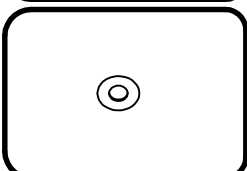
#G x 1pc
Allen Wrench



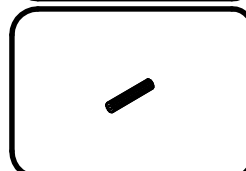
#H x 1pc
Adapter 5v



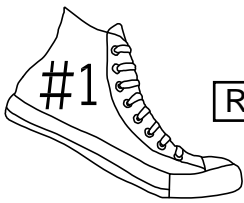
#J x 2pcs
Wall Screw 2-1/2"



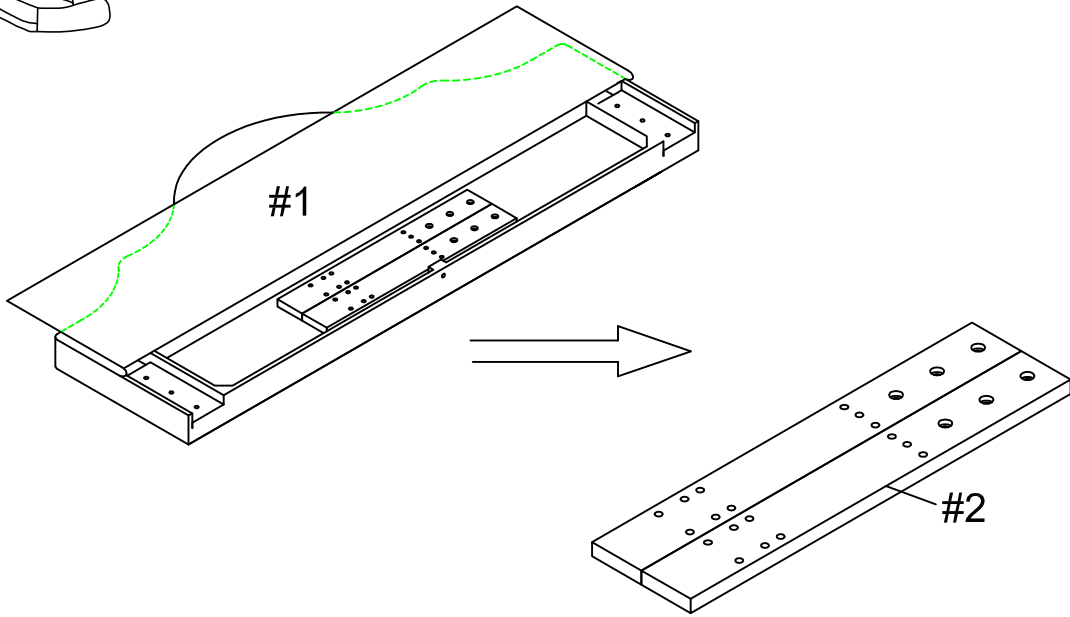
#K x 2pcs
Flat Washer Ø1/4"



#I x 2pcs
Plastic plugs

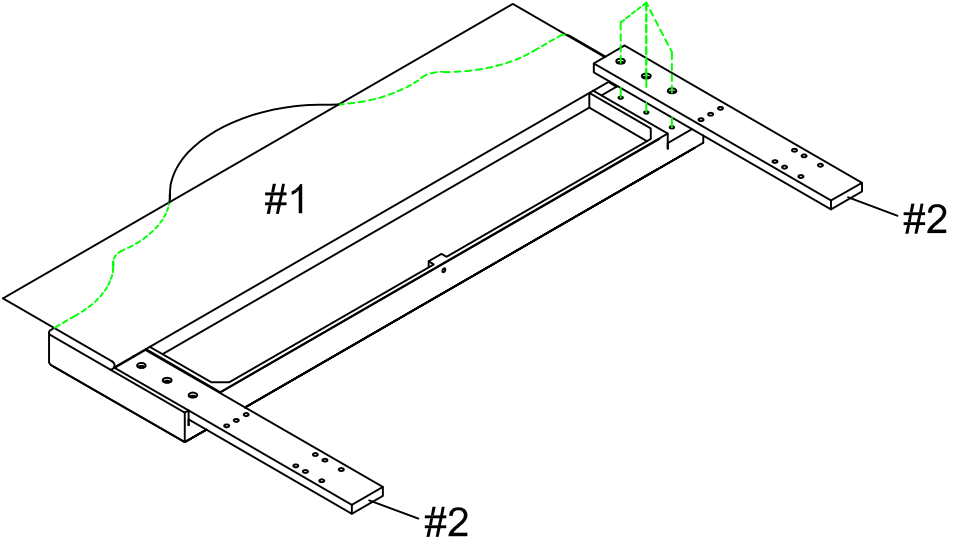
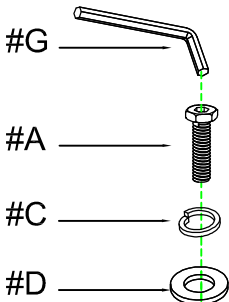


Remove the headboard legs (#2) from the back compartment of the headboard (#1).



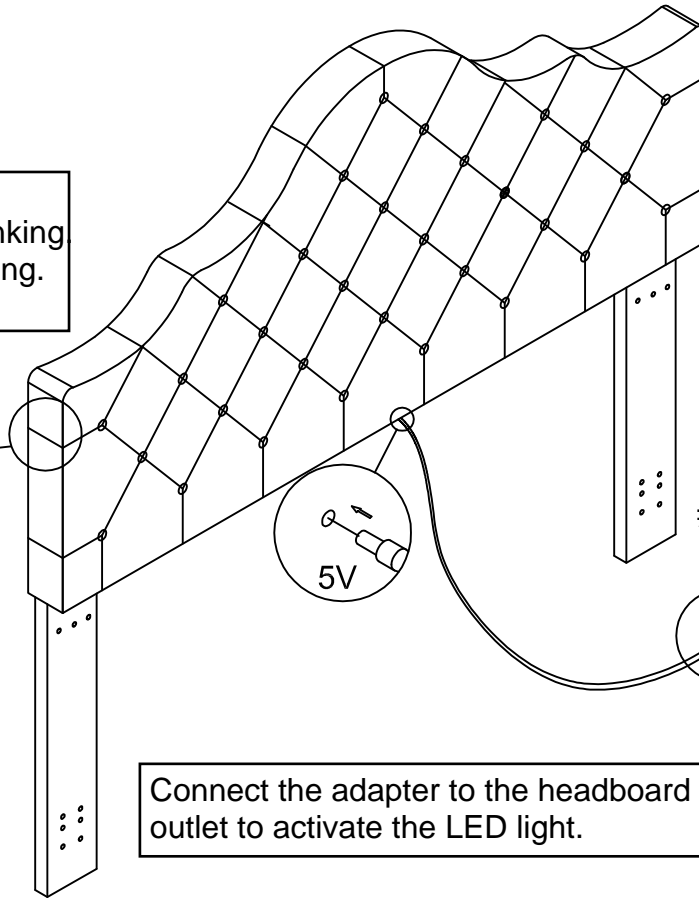
Prepare 6 bolts assembly by inserting lock washer (#C), then flat washer (#D) onto bolts (#A).

- #A x 6pcs
- #C x 6pcs
- #D x 6pcs

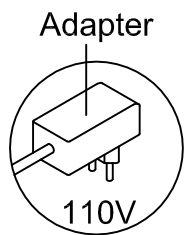




Touch once to turn on.
 Touch second time for fast blinking
 Touch third time for slow blinking.
 Touch fourth time to turn off.

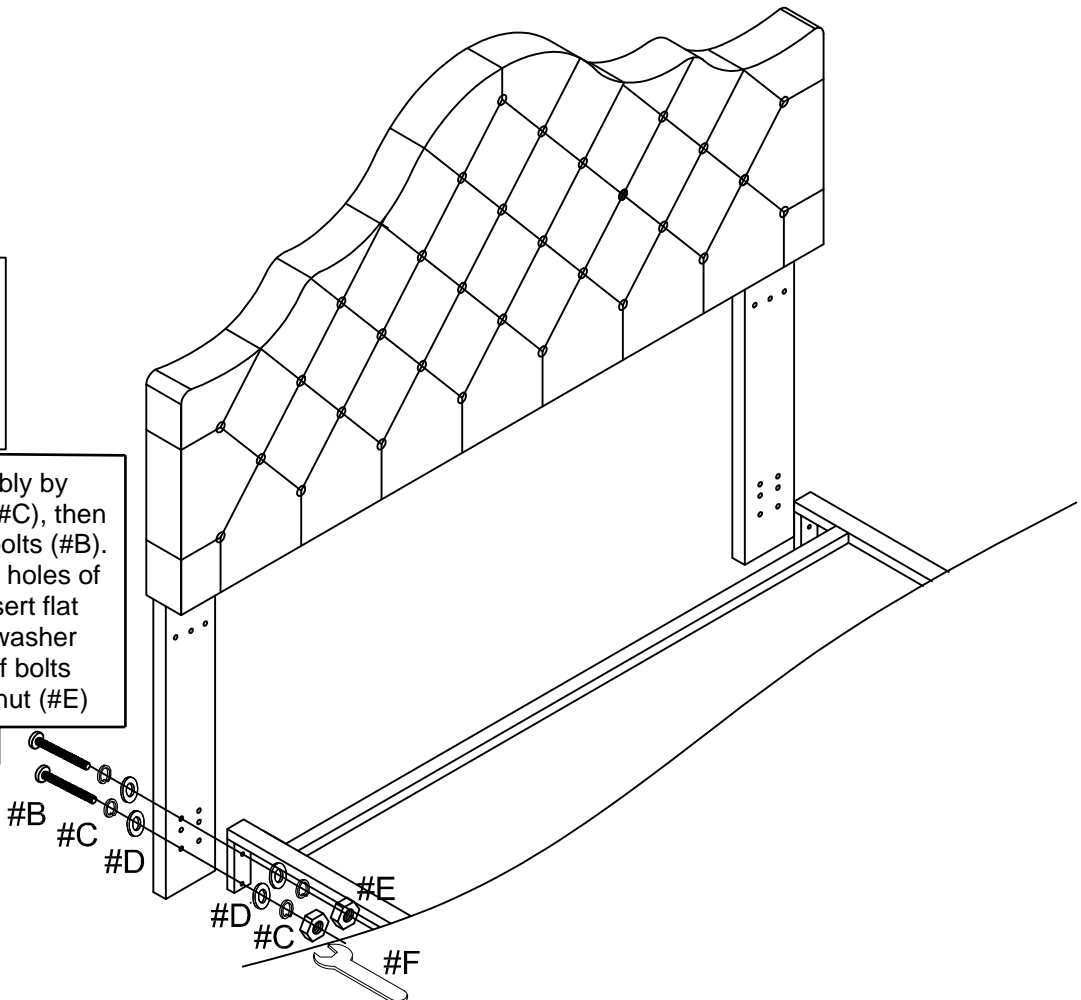


Connect the adapter to the headboard and outlet to activate the LED light.



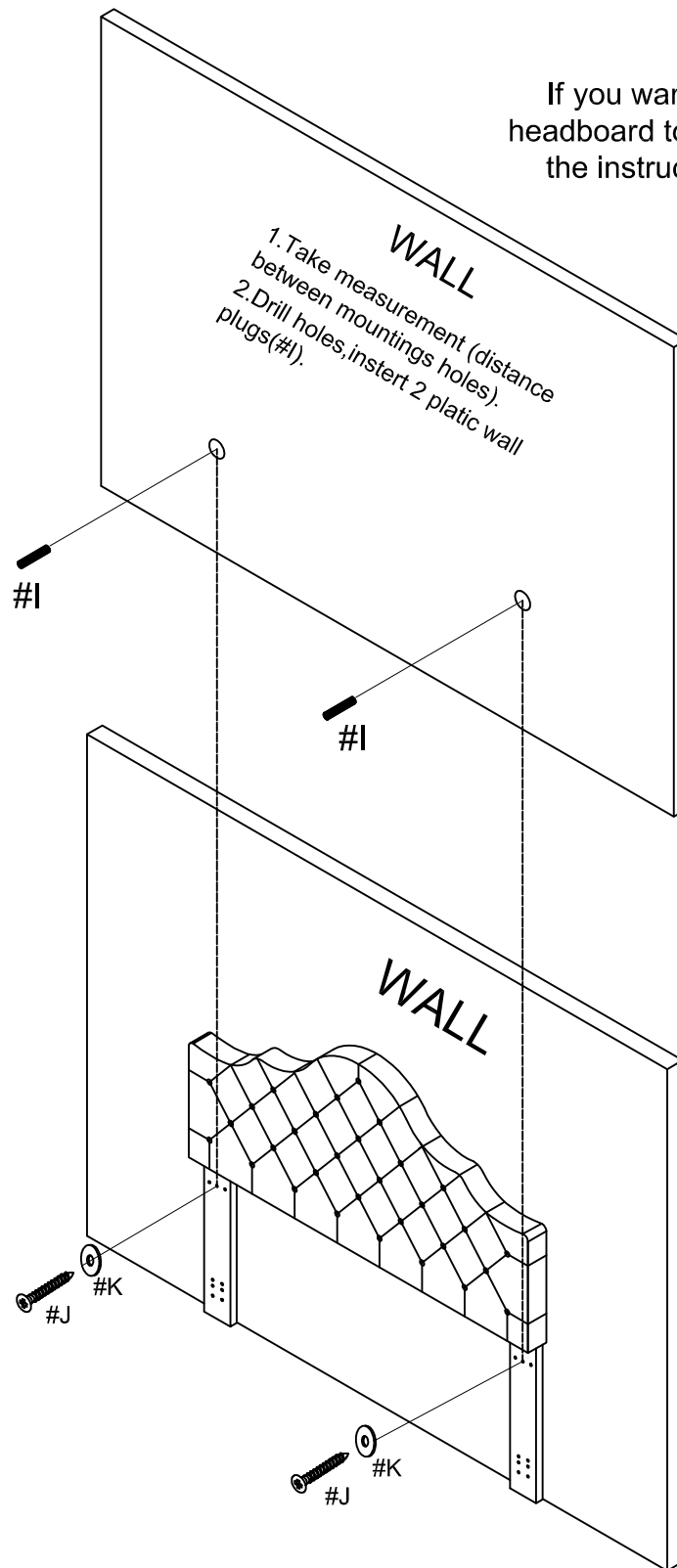
- #B x 4pcs
- #C x 8pcs
- #D x 8pcs
- #E x 4pcs

Prepare 4 bolts assembly by inserting lock washer (#C), then flat washer (#D) onto bolts (#B). Align headboard to the holes of the bed frame, then insert flat washer (#D) and lock washer (#C) to the other end of bolts (#B). Secure with hex nut (#E) onto bolts (#B).





If you want to mount your headboard to the wall, follow the instruction in this box.



For best result, find the wood stud behind wall and secure your headboard on them using provided washers (#K) & screws (#J)