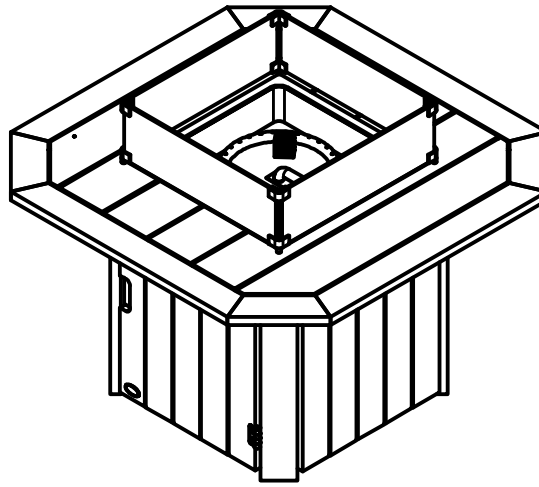


Firepit Table

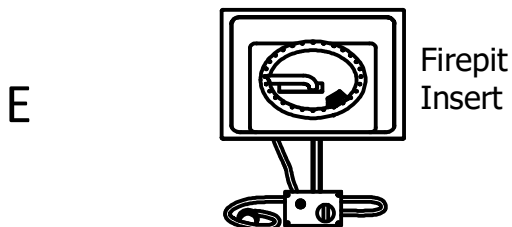
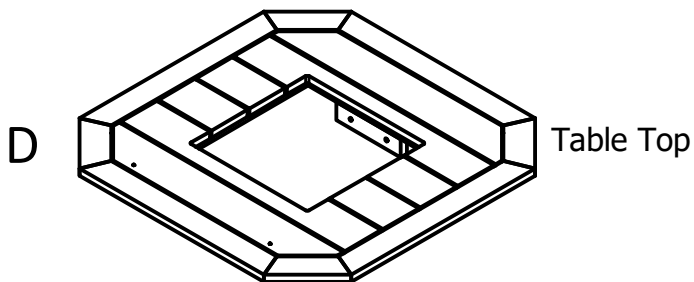
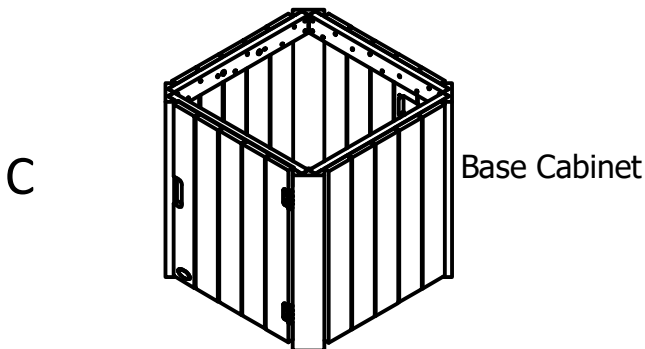
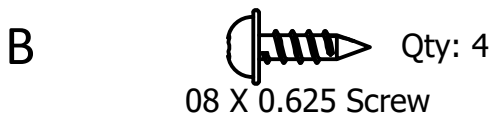
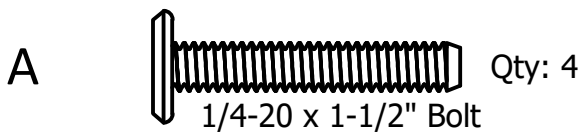
Assembly Guide



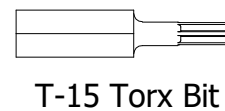
*Actual style may vary from the one pictured in this guide

FIREPIT01

PARTS INCLUDED

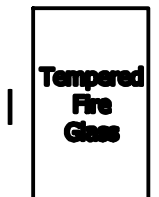
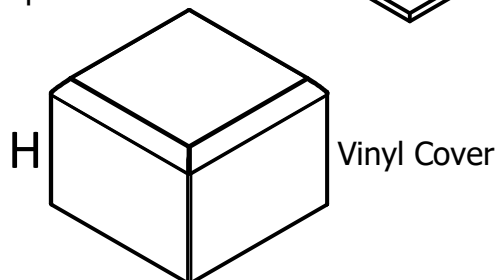
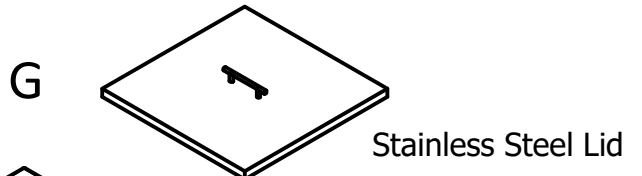
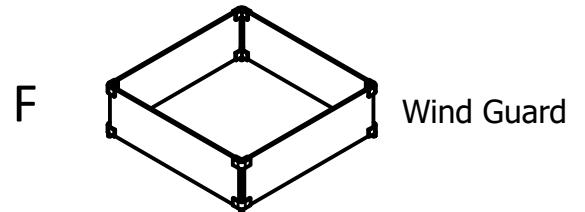


TOOLS INCLUDED



IMPORTANT!

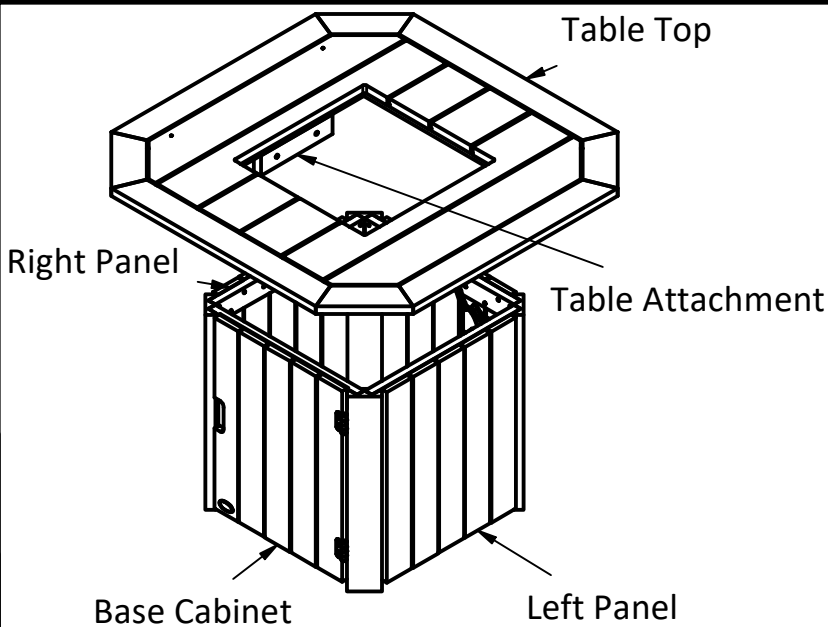
DO NOT fully tighten bolts until all bolts are started.



For information on Care and Cleaning or to Register your product, please visit
www.highwood-usa.com.

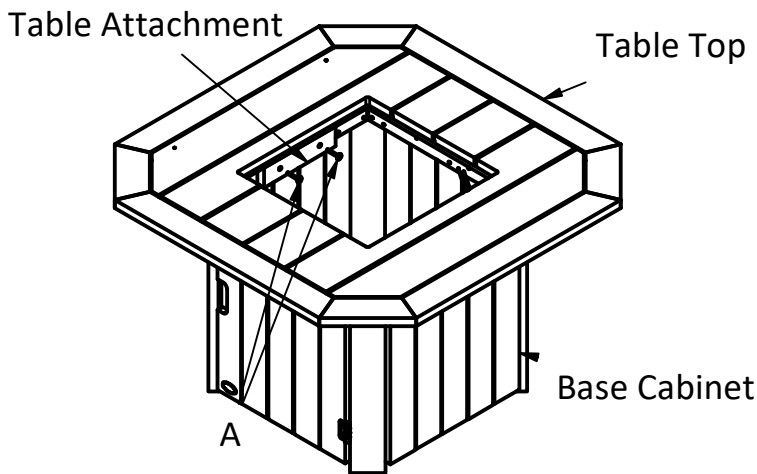
HDK-0014

04.08.2024



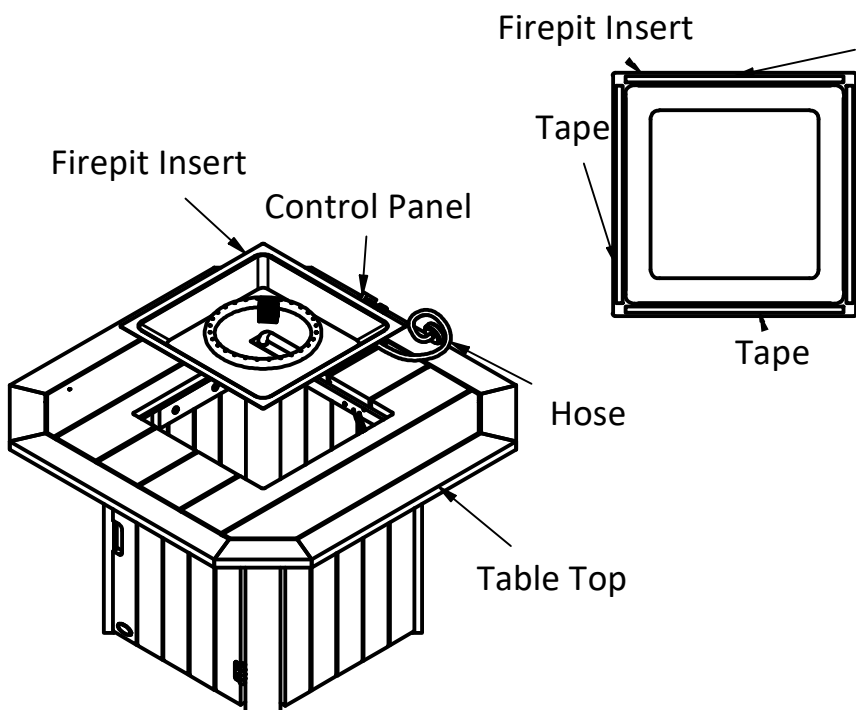
1. Align the Table Top so that it sets into the Base Cabinet. The Top will have (2) Table Attachment pieces with (2) holes in them. This is what attaches the Table Top to the Base Cabinet.

Note: The Table Attachment pieces on the top need to be along the Left and Right Panel.



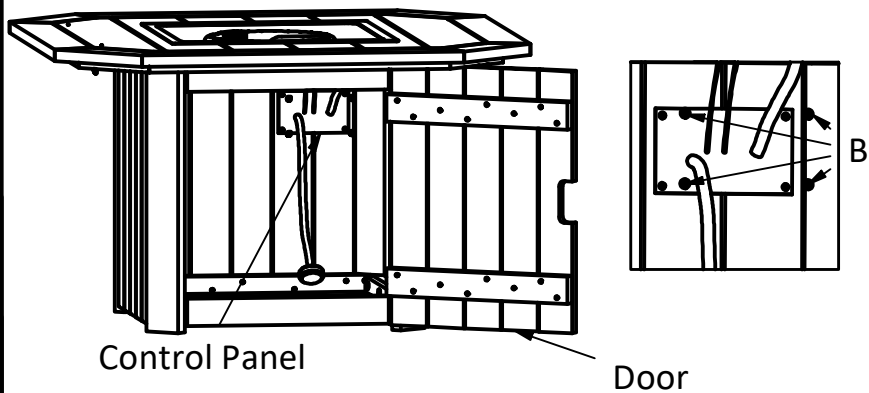
2. Attach the Table Top to the Base Cabinet with (2) A Bolts. These bolts will go through the Table Attachment Piece into the Base Cabinet.

3. Repeat this on the opposite side.



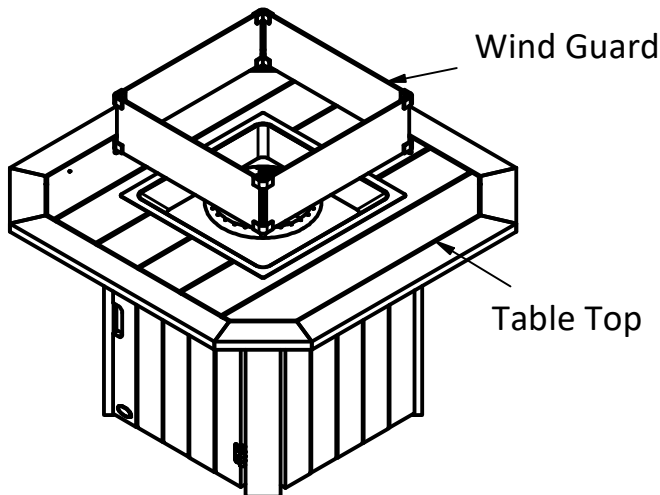
4. Unbox the Firepit Insert and follow the assembly guide. Flip the Insert over so you can apply the tape to the underside of the Firepit Insert. Peel the backing off the Tape and stick to the Insert. This will protect the Table Top.

5. Once the Tape is on, align and place the Firepit Insert into the opening of the Table Top. Make sure all the Hoses and Control Panel make it into the opening and do not get pinched.



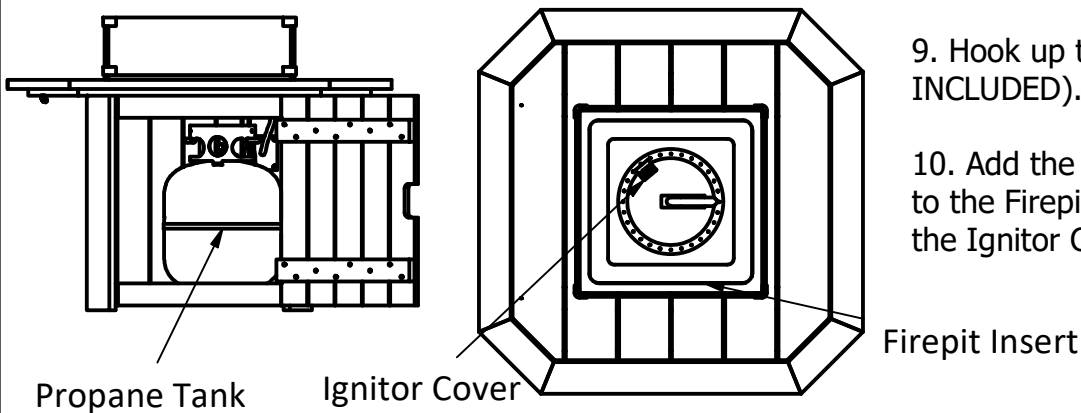
6. Open the Door to gain access to the inside of the Base Cabinet. Across from the Door there will be (4) Pilot holes. These holes are used to locate the Control Panel.

7. Attach the Control Panel with (4) B screws. Line up the holes in the Control Panel with the Pilot Holes and tighten.



8. See Wind Guard Assembly Instructions and assemble. Place on Firepit Table Top.

**IMPORTANT!
WIND GUARD REQUIRED
FOR OPERATION.**



9. Hook up the Propane Tank (NOT INCLUDED).

10. Add the included Tempered Fire Glass to the Firepit Insert. Make sure not to cover the Ignitor Cover.

WARNINGS AND REMINDERS

- The Control Panel requires (1) AA battery for the Ignitor (Not Included).
- Protect the Firepit with the included Vinyl Cover and Stainless Steel Lid when the product is not in use.
- Allow time to cool before placing Vinyl Cover and Lid on.
- Wait for the unit to cool before turning off the propane tank.
- Do not place HOT objects (roasting sticks, tongs, etc.) on Table Top as this will damage the Top.
- Constantly monitor flame height on windy days.
- Outdoor Use ONLY!