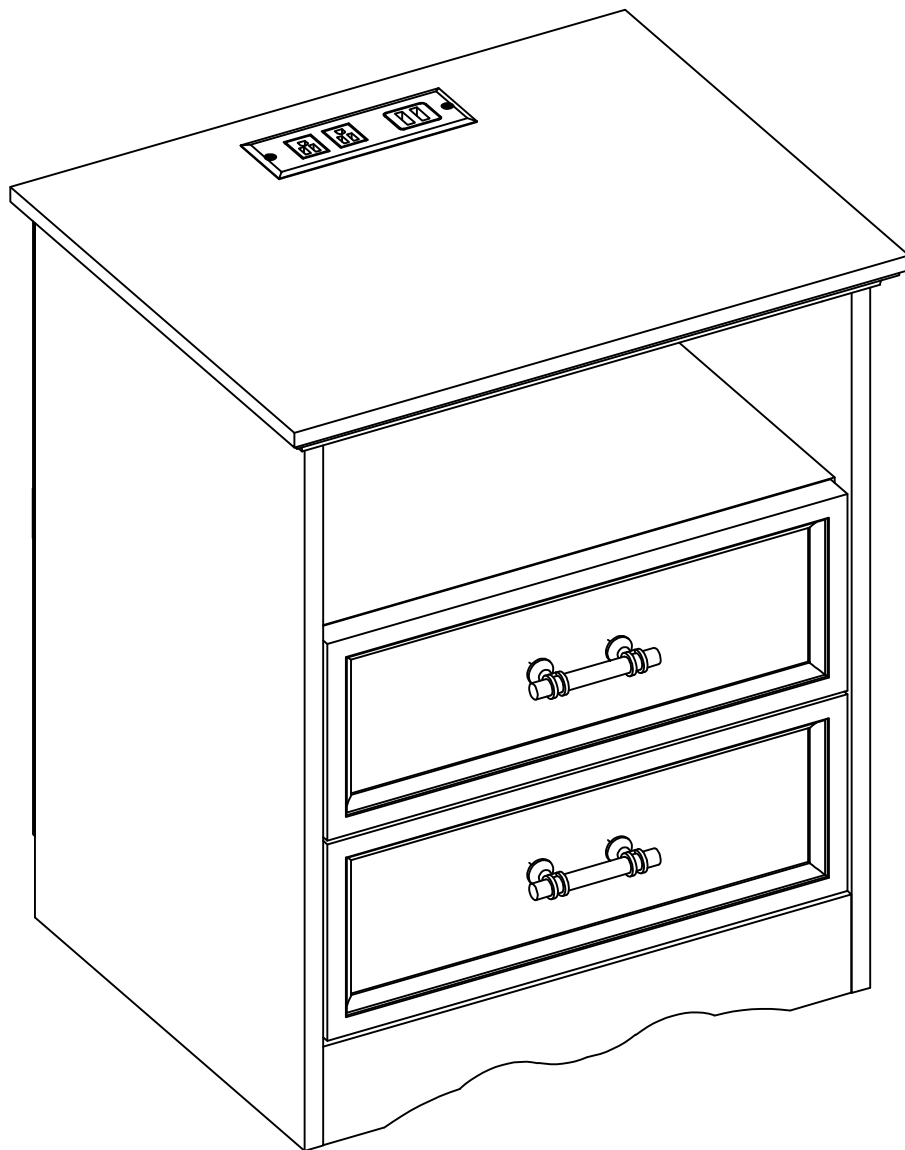
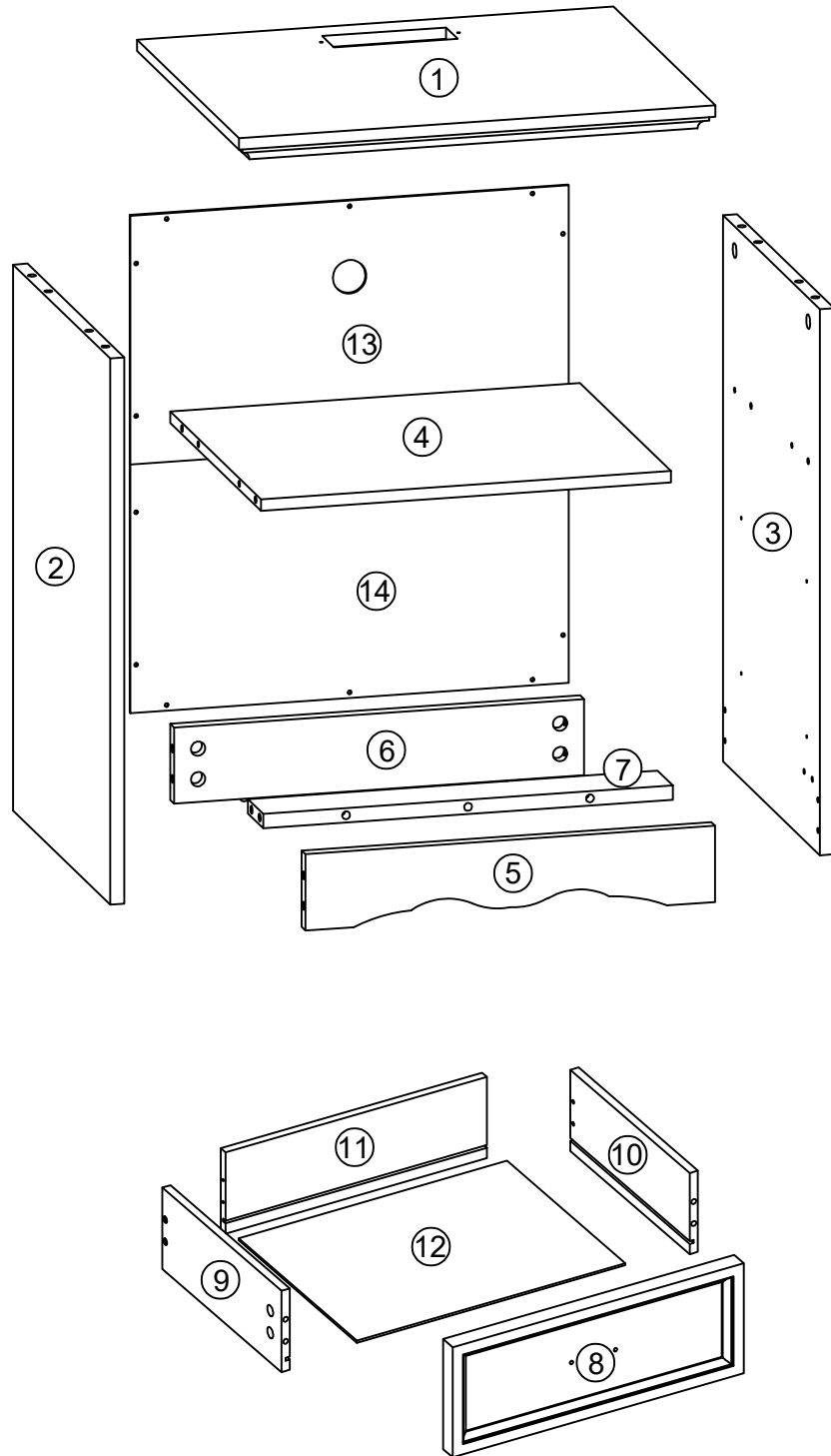


# Multifunctional storage

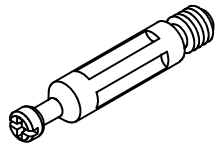
## Assembly Instructions



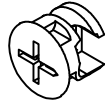
# Parts List



# Hardware

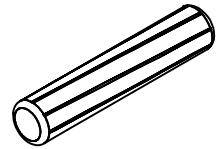


A x 32sets



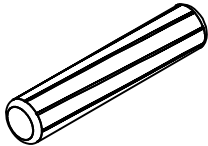
15X9.5MM

B x 34sets



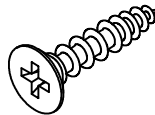
6 x 30MM

C x 5pcs



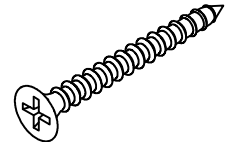
8 x 30MM

D x 6pcs



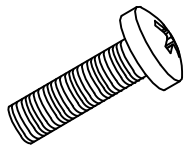
3.5 x 12MM

E x 24pcs



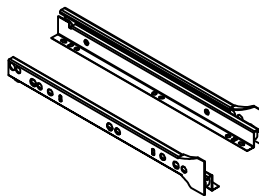
3.5 x 35MM

F x 9pcs



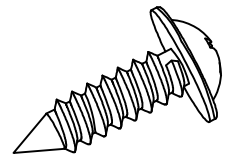
M4 x 18MM

G x 5pcs



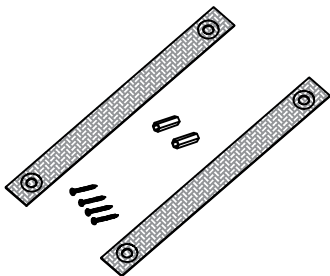
300MM

H x 2sets

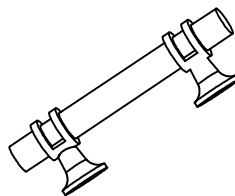


3.5 x 12MM

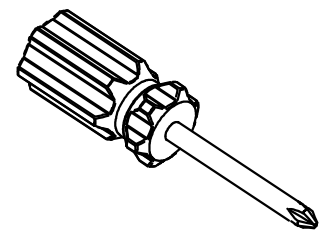
I x 16pcs



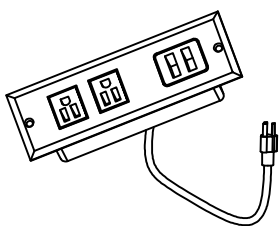
J x 1sets



K x 2sets

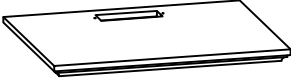

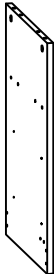



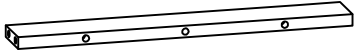
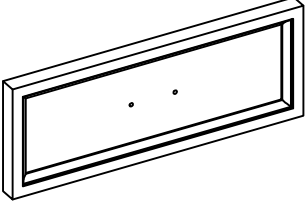
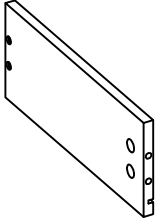
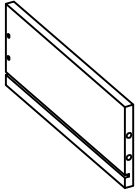


L x 1sets

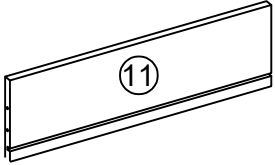
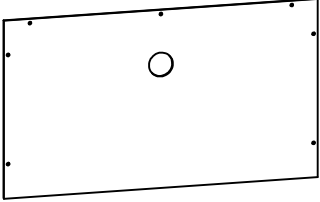


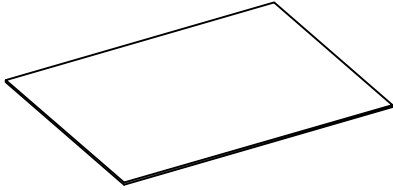
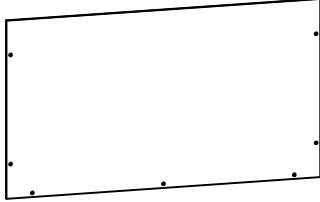
M x 1sets

# ASSEMBLY MATERIAL

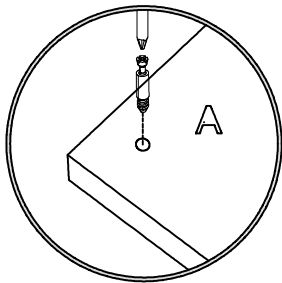
Item no.	Reference Image	Oty.	Item no.	Reference Image	Oty.
<b>1</b>		X1	<b>2</b>		X1
<b>3</b>		X1	<b>4</b>		X1
<b>5</b>		X1	<b>6</b>		X1
<b>7</b>		X1	<b>8</b>		X2
<b>9</b>		X2	<b>10</b>		X2

# ASSEMBLY MATERIAL

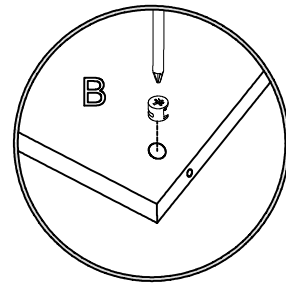
Item no.	Reference Image	Oty.
11		X2
13		X1

Item no.	Reference Image	Oty.
12		X2
14		X1

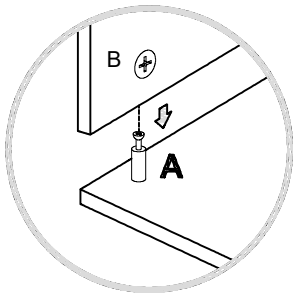
# How to use the cam lock system



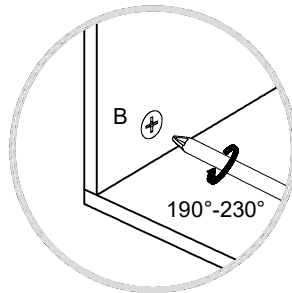
1. Screw cam bolt into panel



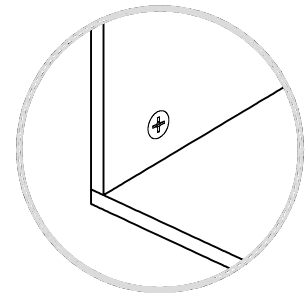
2. Push cam into panel - arrow feature on cam top points to panel edge



3. Align cam bolt(s) with cam(s) and insert all the way into cross-bored hole(s)

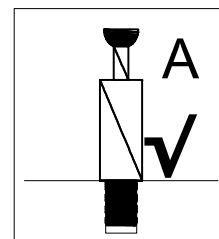
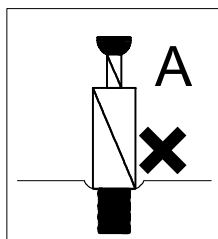
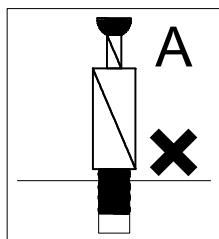
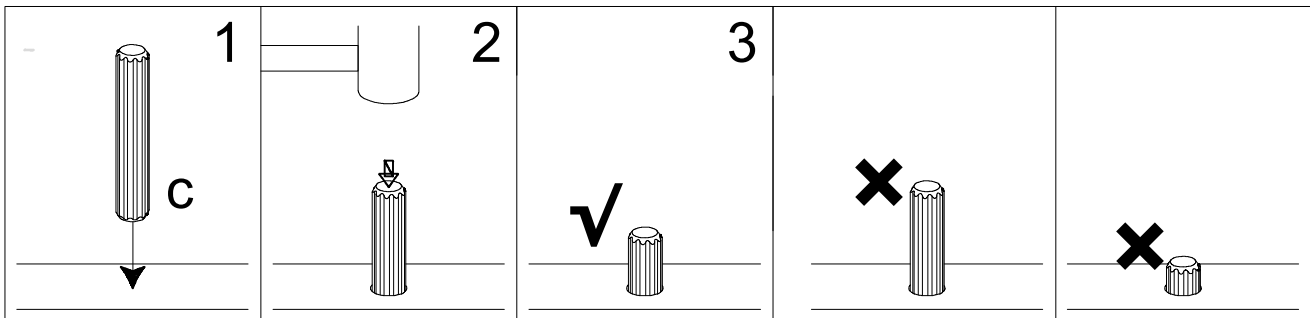


3. Rotate cam(s) clockwise 190°-230° to lock panels together



5. Panels should be tight against each other and connection should be rigid

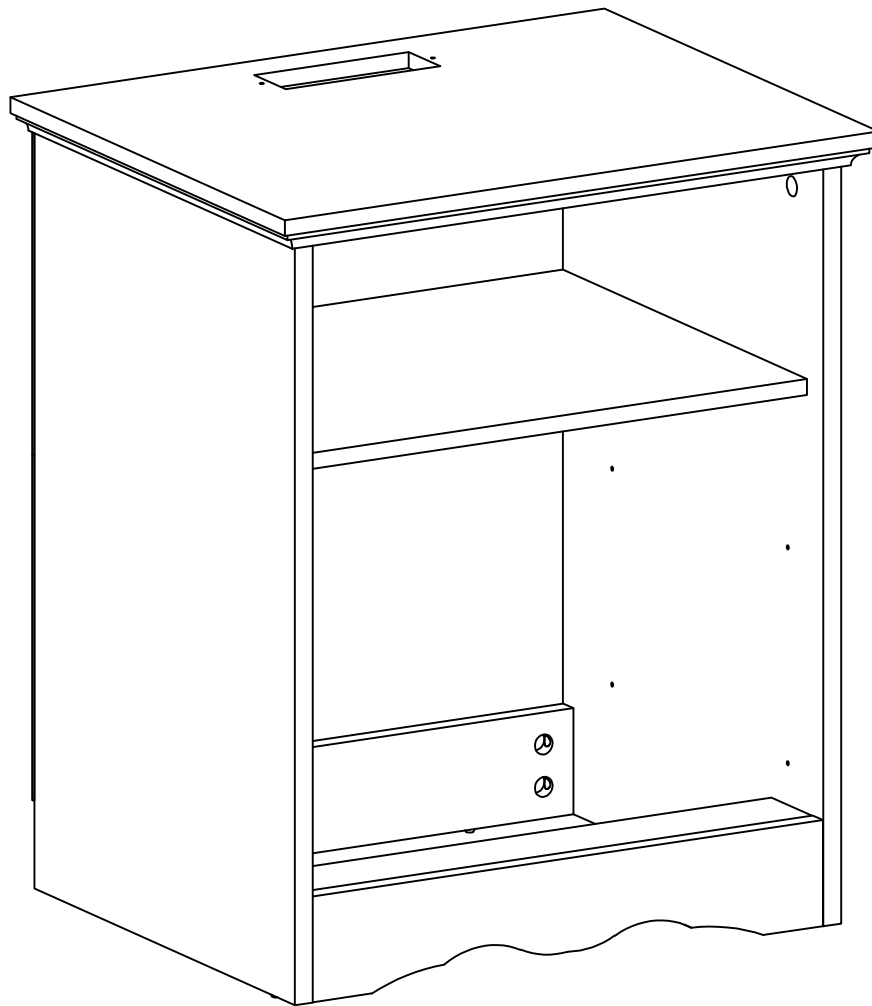
**Insert the wood dowel [C] at least half way by tapping lightly with a rubber mallet ,IF NECESSARY.**



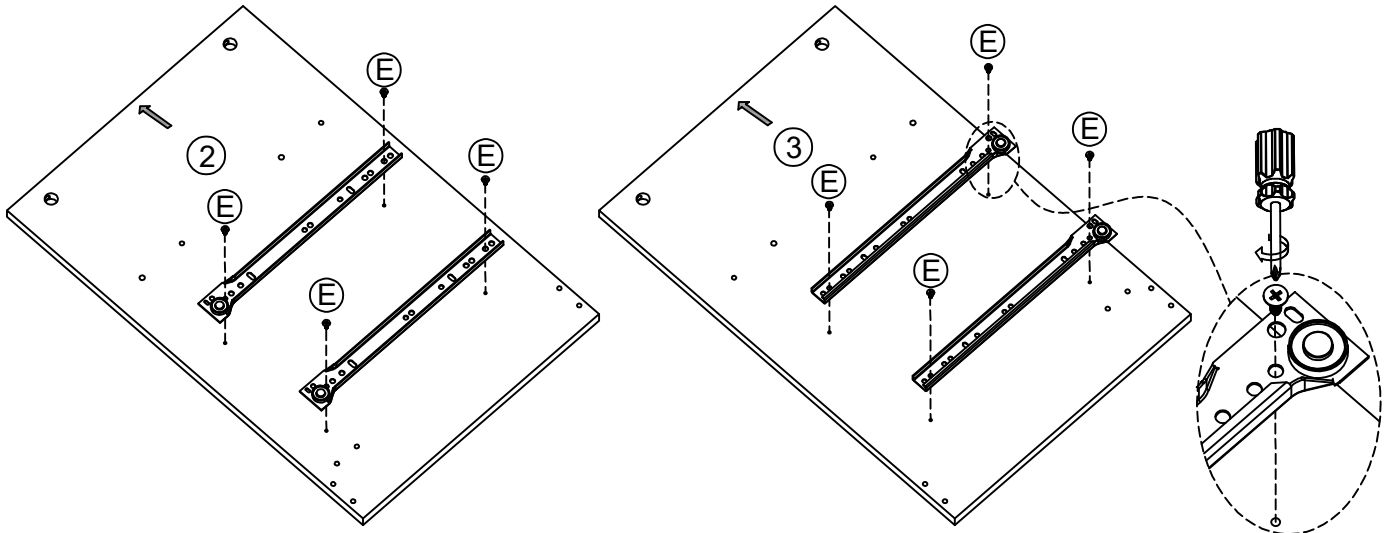
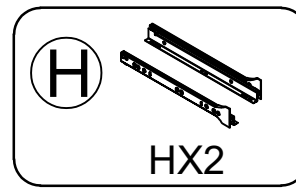
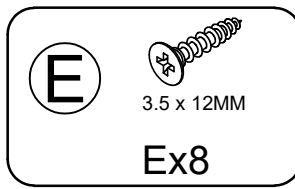
- Unit must be placed on a level surface or leveled with included hardware (when applicable).
- Do not sit or stand on or allow children to climb, sit or stand on the assembled product.
- For safety reasons, it is imperative that this unit be mounted to the wall.
- Do not use without installing the tip restraint.
- Unit can tip over causing severe injury or death.
- Do not exceed the recommended weight limits.
- Evenly distribute the weight on each level and always keep the heavier loads on the bottom.
- Before cutting, drilling or hammering into any wall or floor surface, verify the location of electrical, plumbing and gas lines. Cutting may cause serious injury.

# Ready to assemble the Multi-purpose lockers

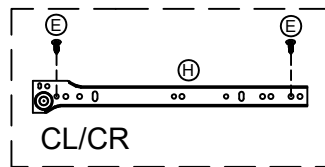
Before installation, observe each structure of the Multi-purpose lockers. The Multi-purpose lockers consists of two main parts. You will assemble the chest first, and then install the Two drawers. Finally, look at the finished look, and contrast list of part, imagine how to install it faster, hope this will help you.



# Step 1

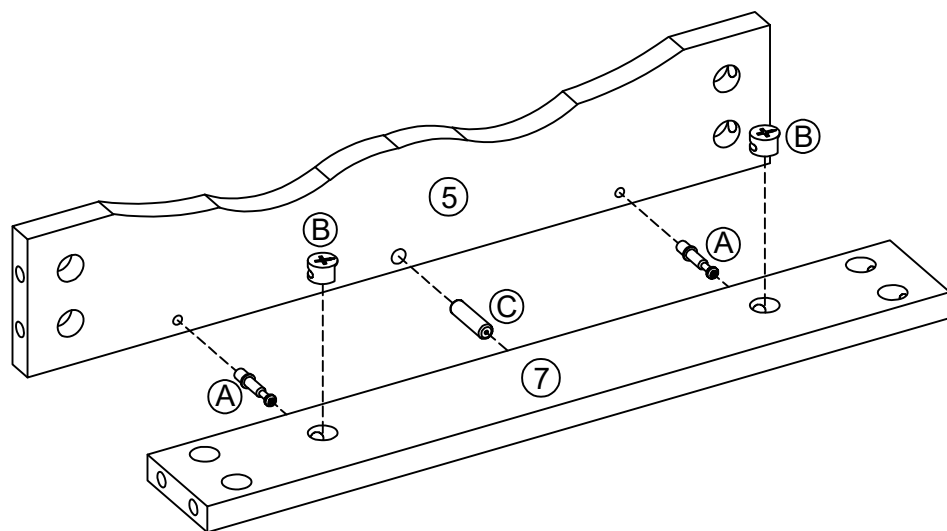
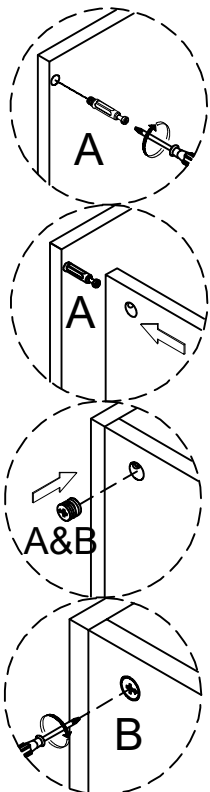
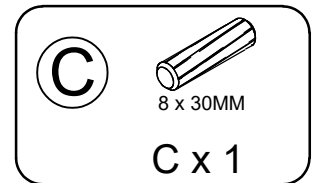
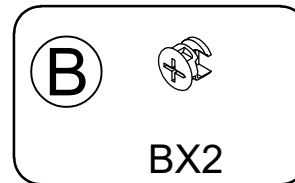
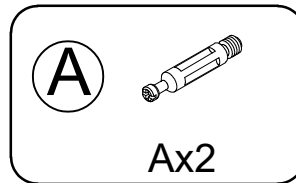


Install First rail on the left side of board.

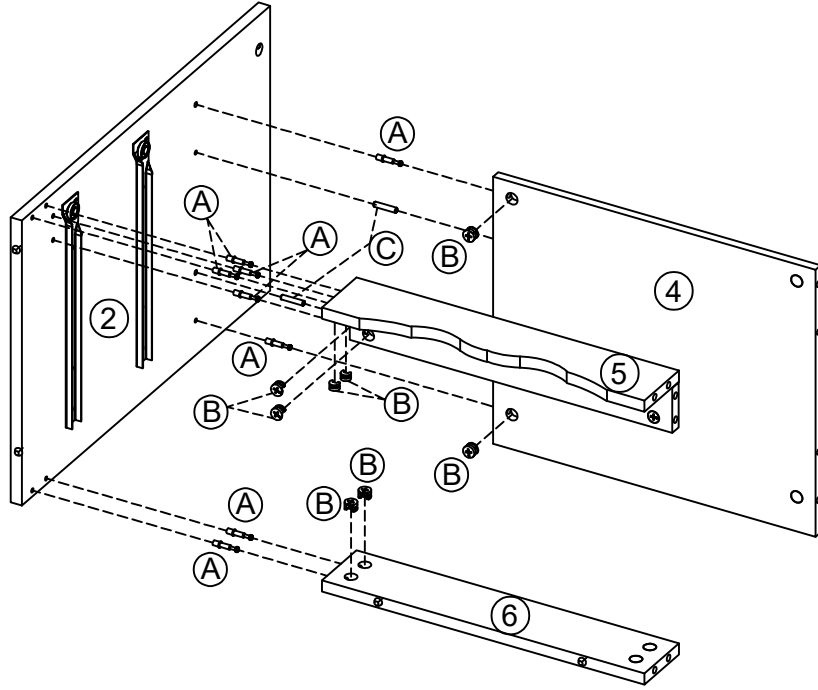
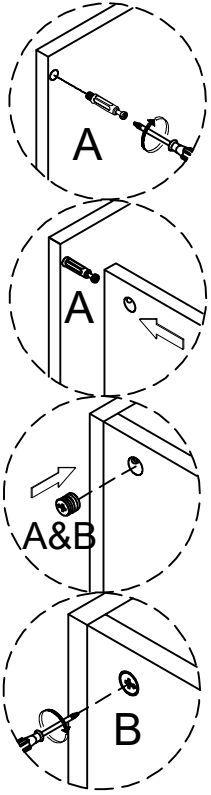
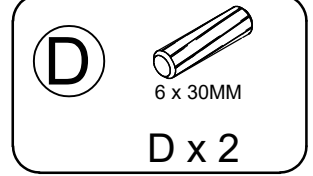
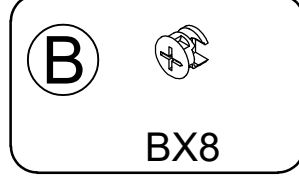
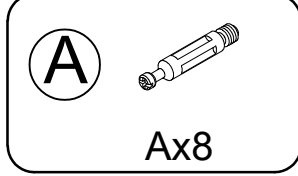


**REMARK:**  
When installing, please make sure the screws are flattened, Not crooked; Otherwise the drawers will not be installed perfectly.

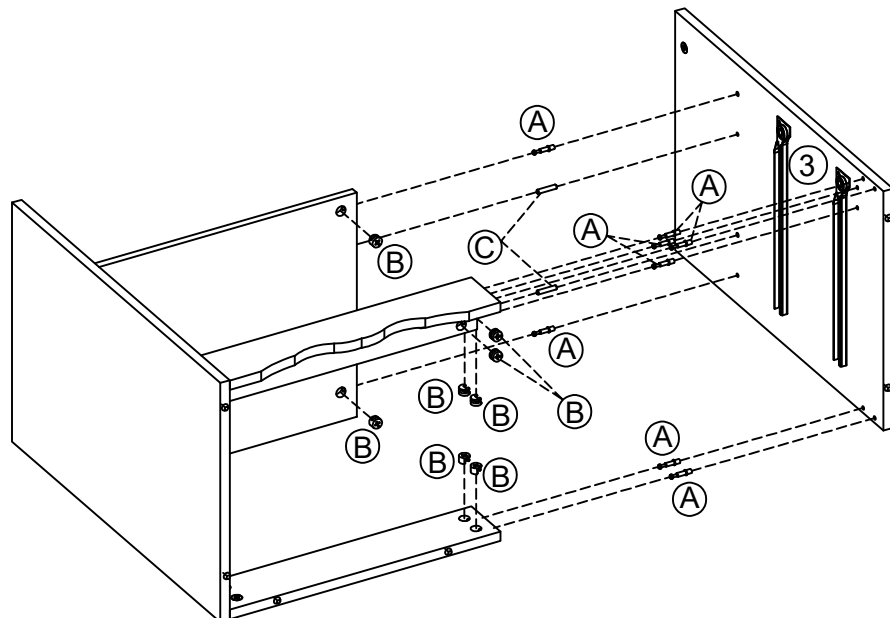
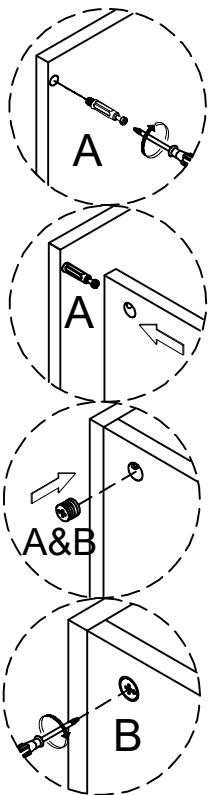
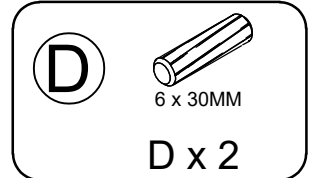
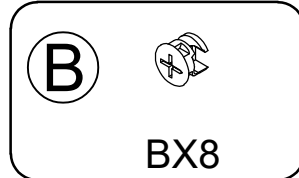
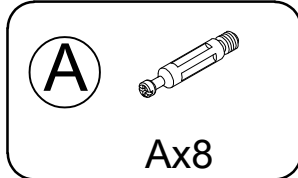
# Step 2



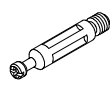
### Step 3





### Step 4

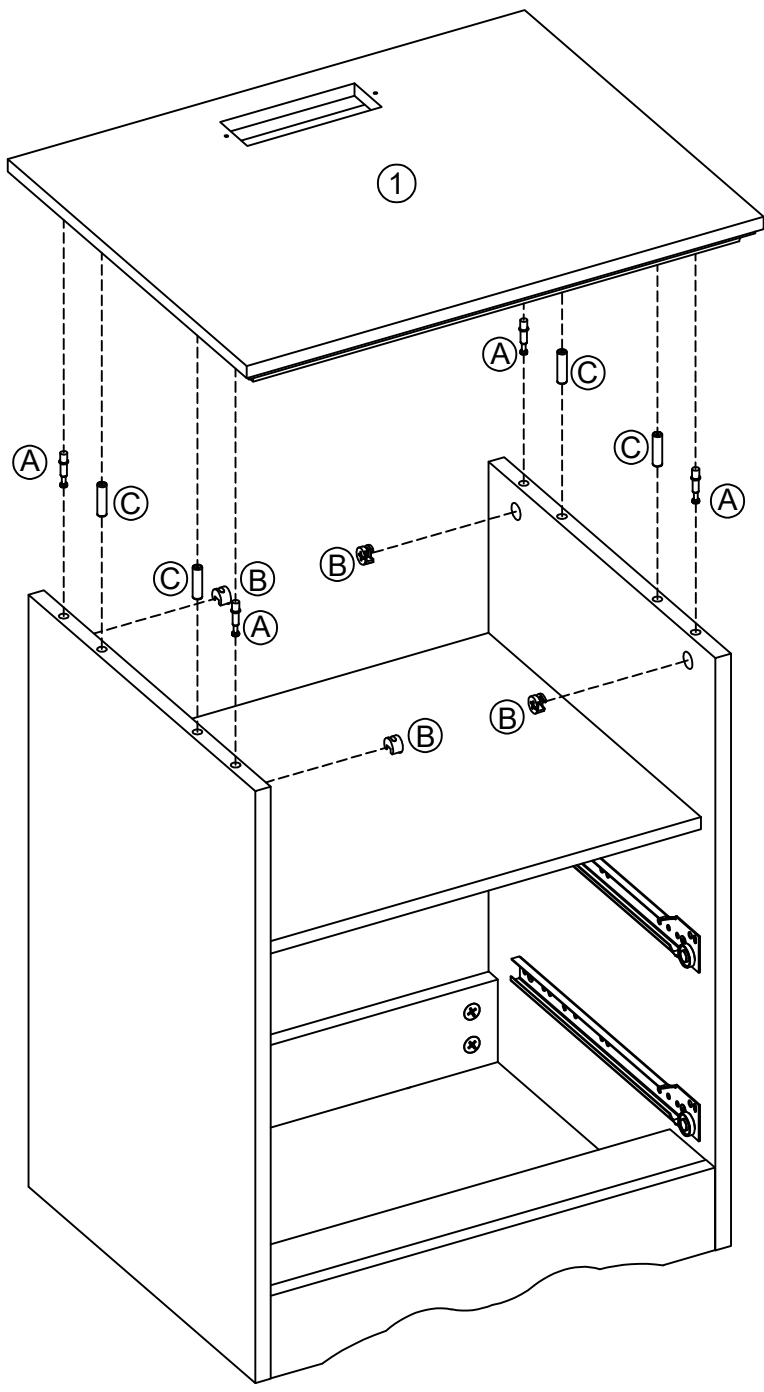
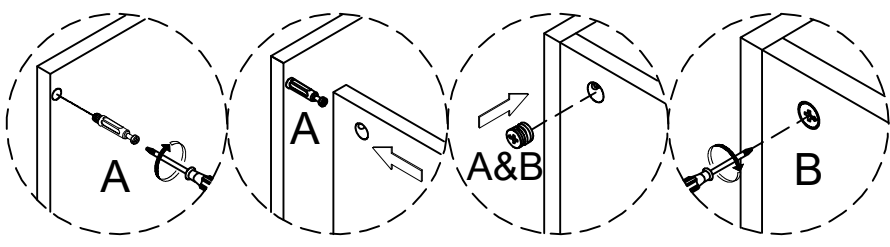


# Step 5

**A**   
Ax4

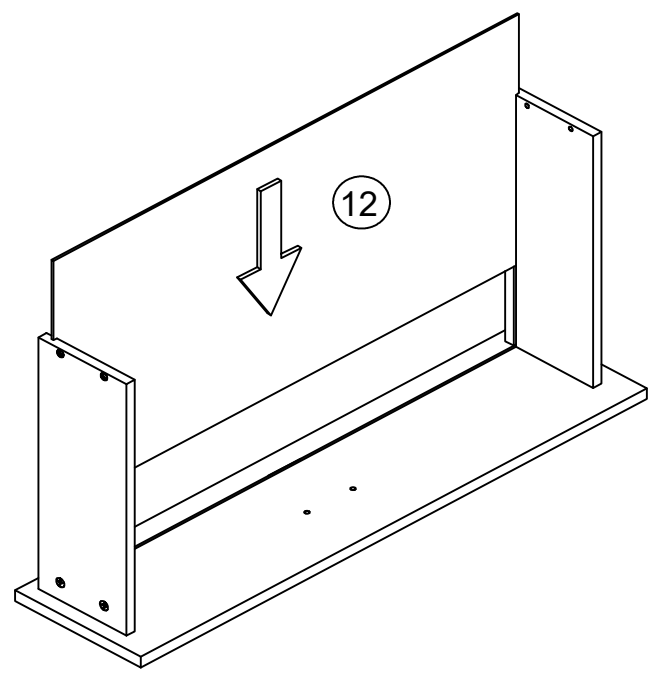
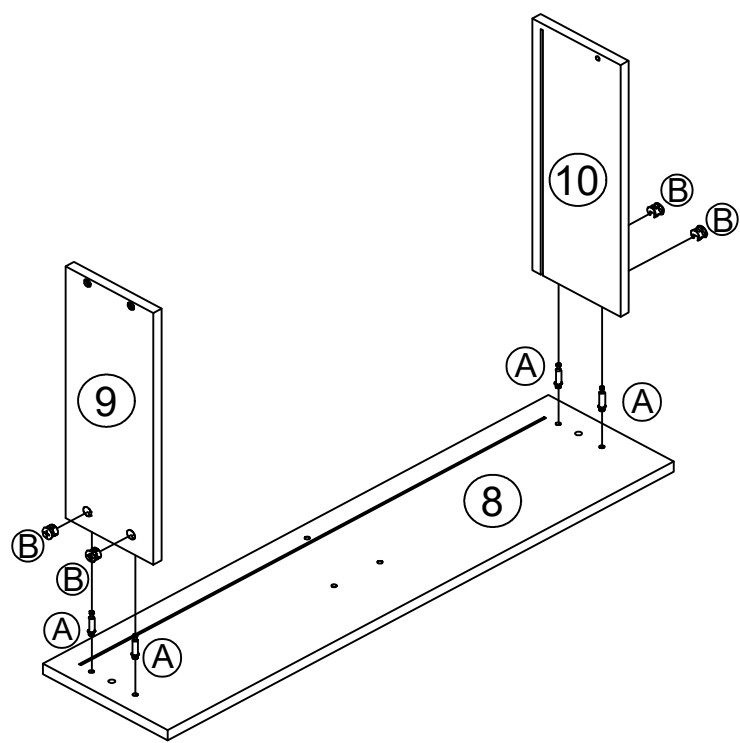
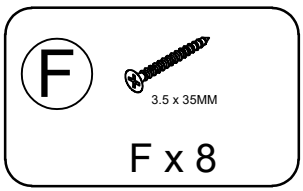
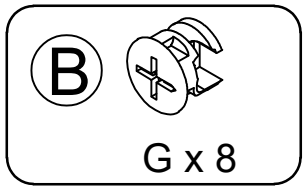
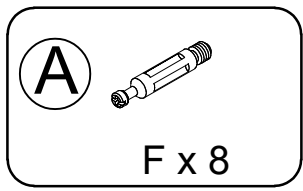
**B**   
Bx4

**C**   
8 x 30MM  
Cx4

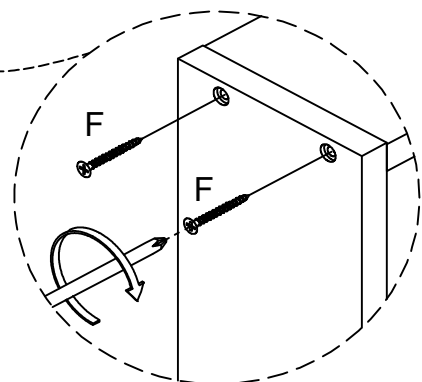
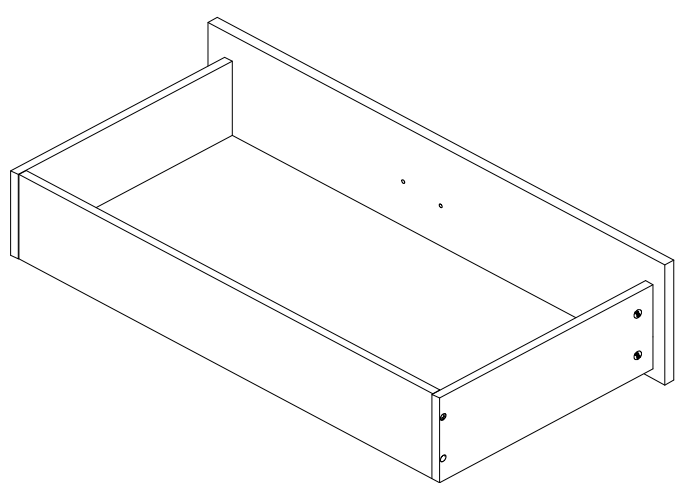
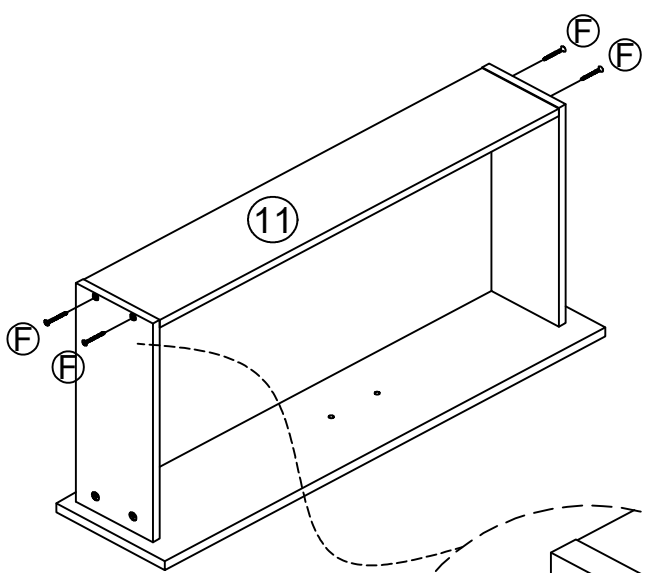




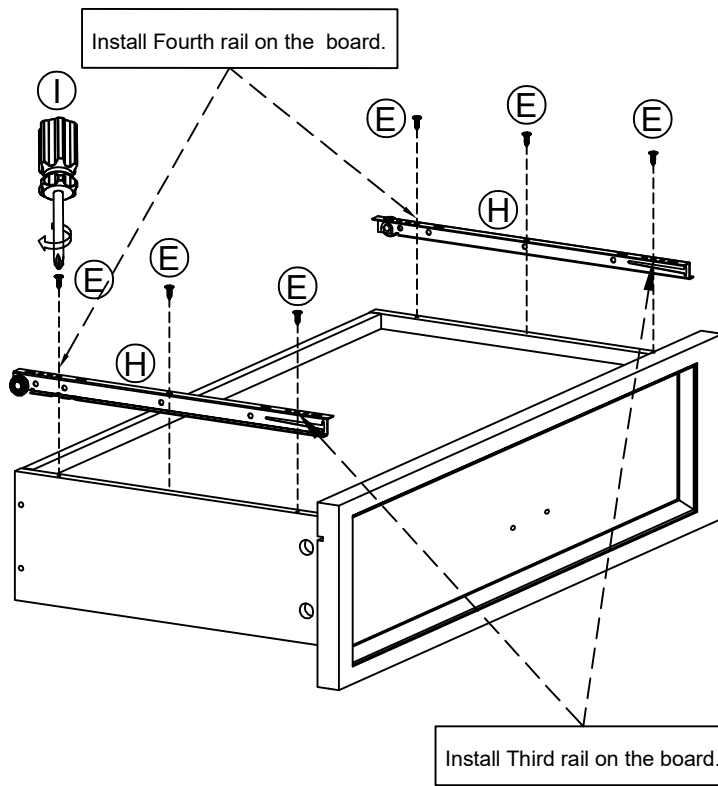
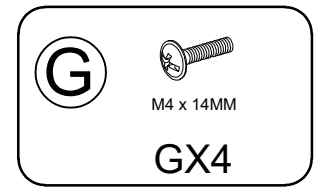
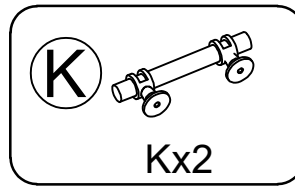
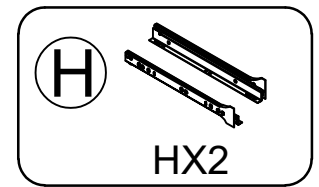
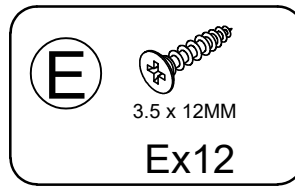
# Step 7



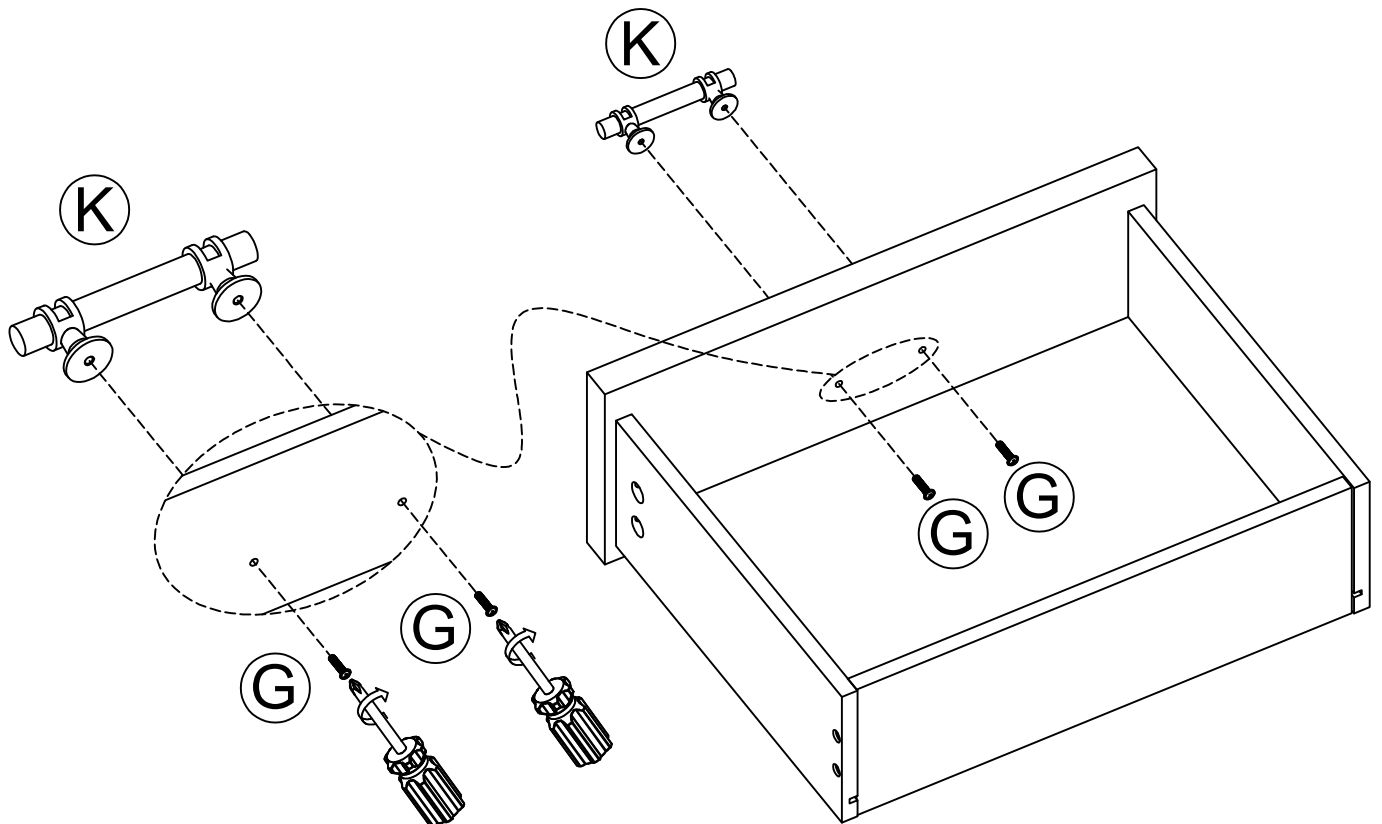
**X2**



# Step 8

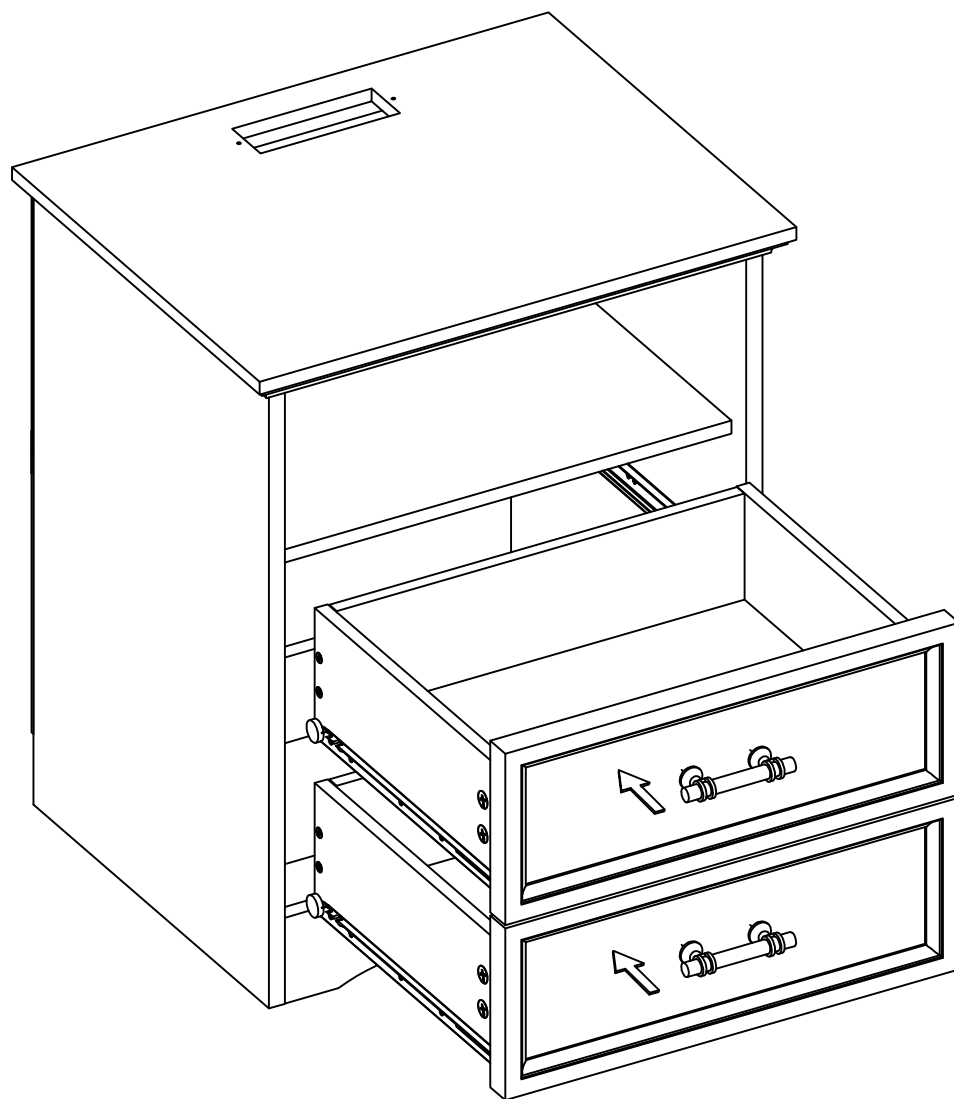


**X2**



**X2**

Step 9



# Step 10

M



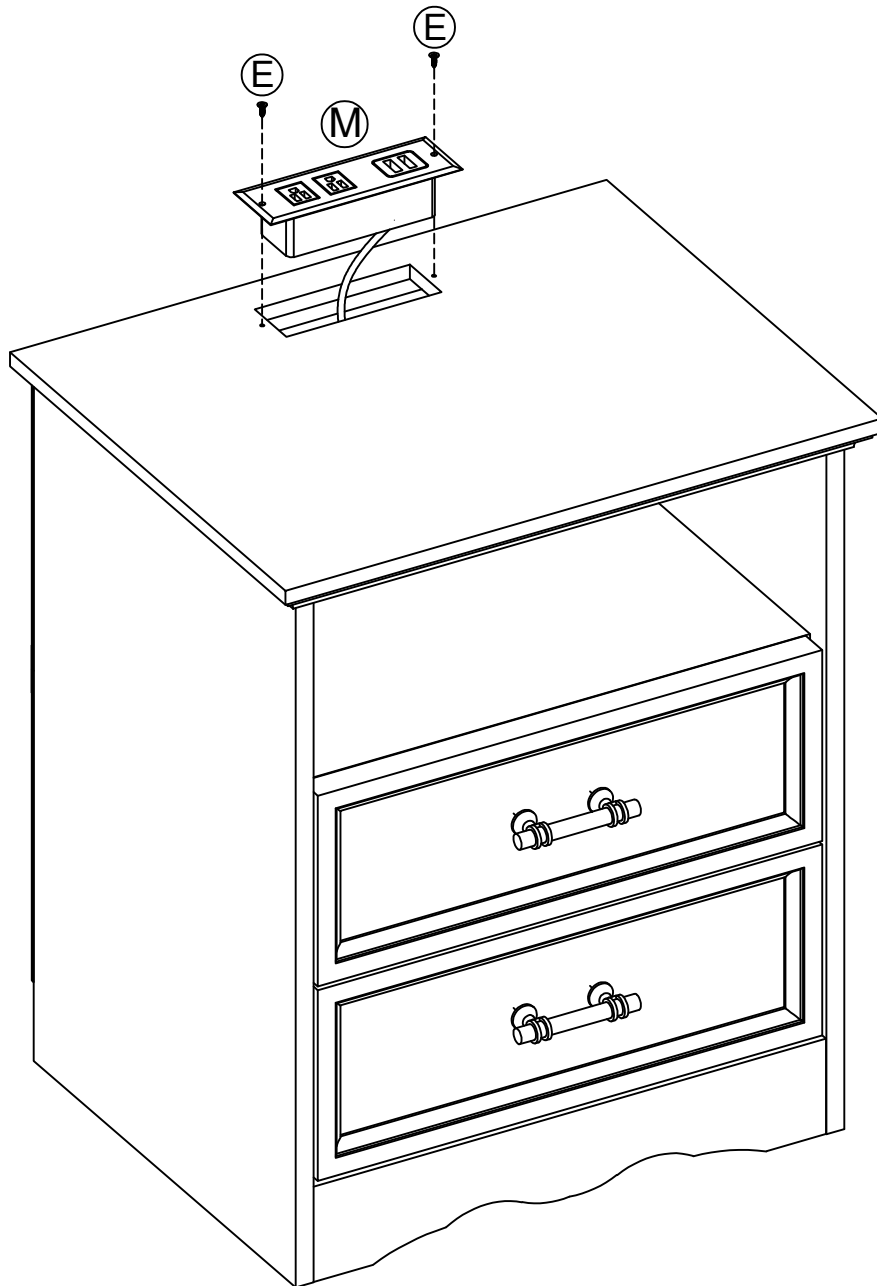
M x 1

E



3.5 x 12MM

E x 2



Step 11

