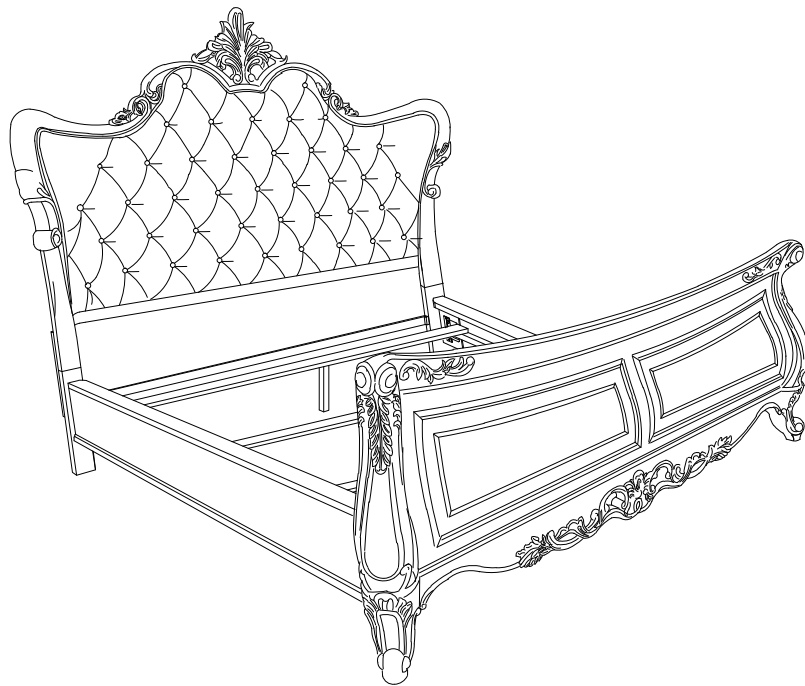


## ASSEMBLY INSTRUCTIONS



**ASSEMBLY TIPS:**





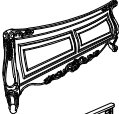
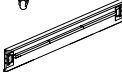


- 1.Remove hardware from box and sort by size.
- 2.Please check to see that all hardware and parts are present prior to start of assembly.
- 3.Please follow attached instructions in the same sequence as numbered to assure fast & easy assembly.

**Warning!**







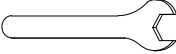

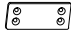
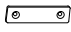
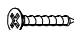


1. Don't attempt to repair or modify parts that are broken or defective. Please contact the store immediately.
2. This product is for home use only and not intended for commercial establishment.

**PARTS IDENTIFICATION**

A		Headboard	1PC
B		H/Board leg (R/ L)	2PCS
C		Bottom Rail	1PC
D		HB Sculpture	1PC
E		Footboard	1PC
F		Bed rail	2PCS
G		Bed slat	3PCS
H		Bed slat support with leveler	3PCS

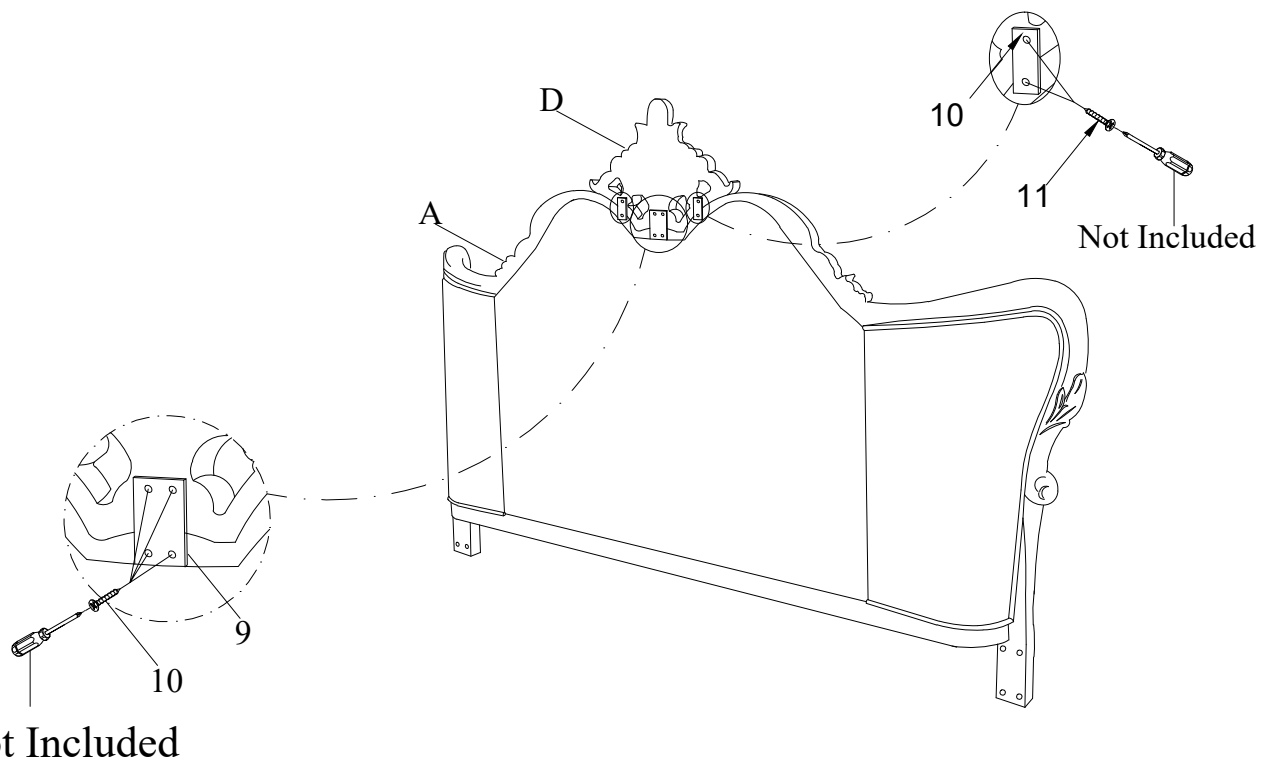
**HARDWARE IDENTIFICATION**

1		Bolt (5/16"*50D13)	12PCS
2		Lock washer	12PCS
3		Flat washer	12PCS
4		Allen wrench	1PC
5		Threaded Stud	8PCS
6		Hex Nut	8PCS
7		Wrench	1PC
8		Screw (#4 X 30mm)	6PCS
9		Metal	1PC
10		Metal	2PCS
11		Screw (#2 X 12mm)	8PCS

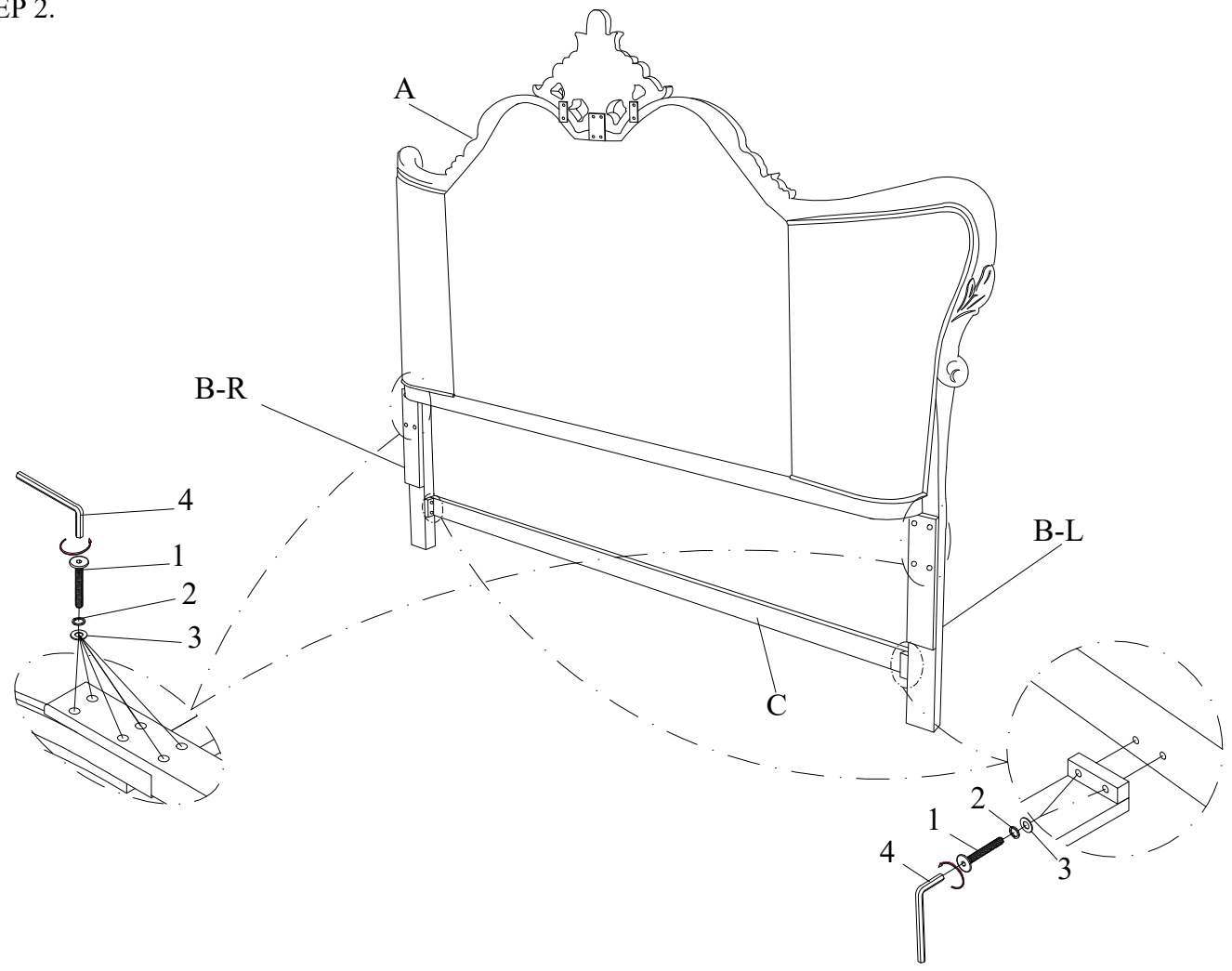
# ITEM: QUEEN BED

# ASSEMBLY INSTRUCTIONS

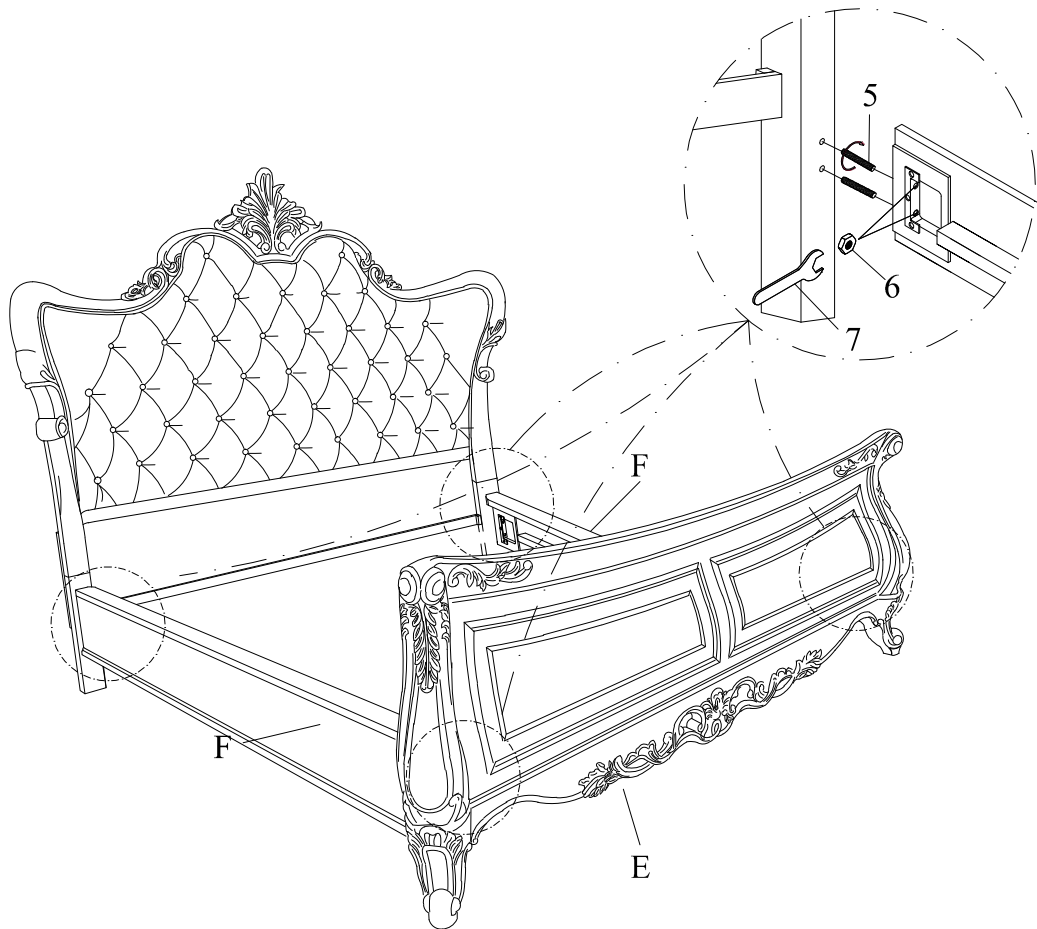
## STEP 1.



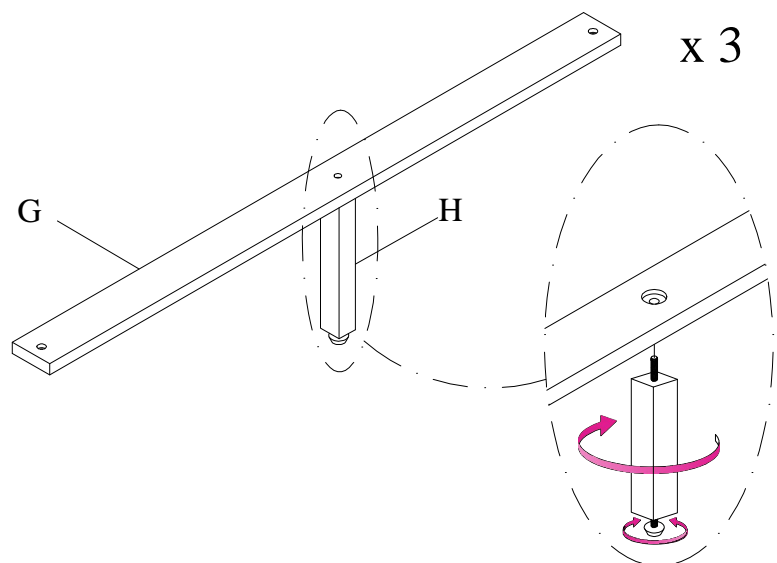
## STEP 2.



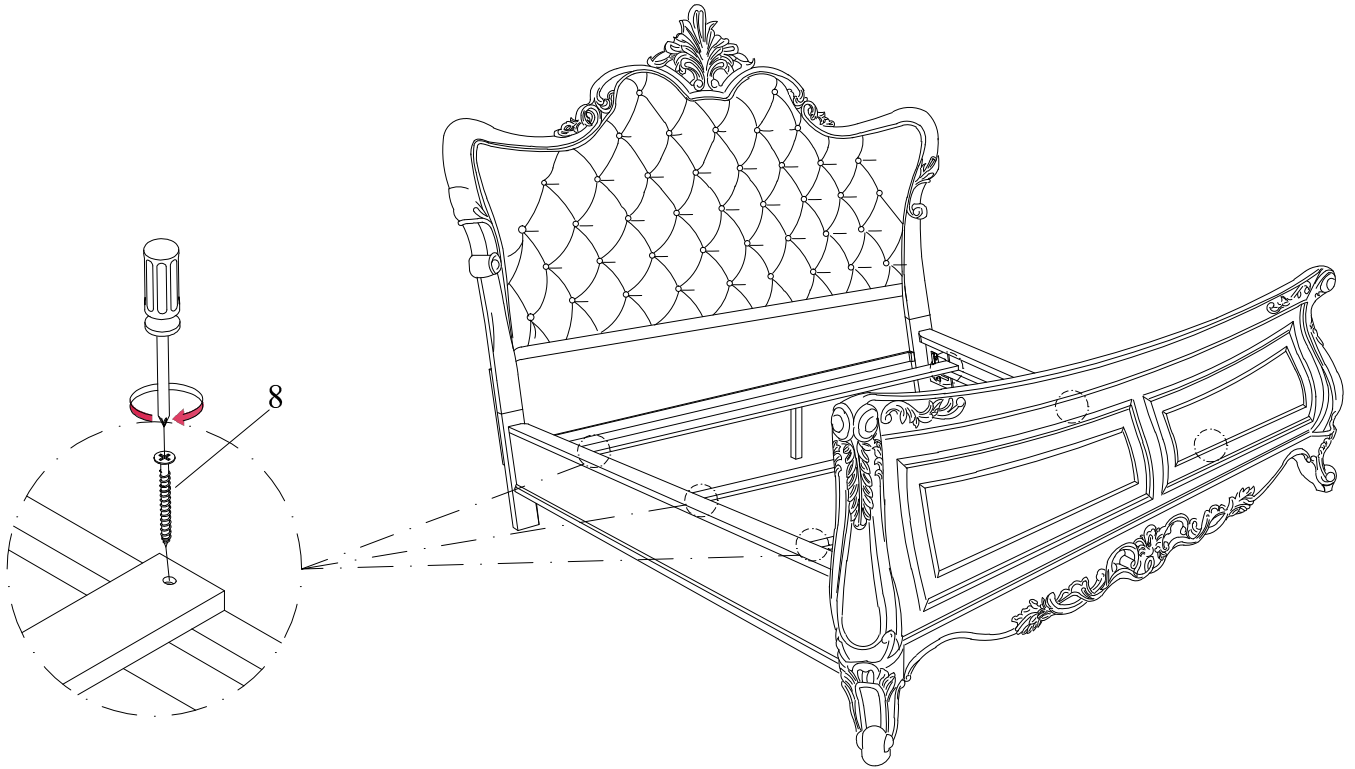
STEP 3.



STEP 4.



STEP 5.



STEP 6.

