

JR1502WHI / JR1502BLK



A 2PCS



B 1PC



E 2PCS



C 1PC



D 2PCS



∅ 6X50MM  
H 16PCS



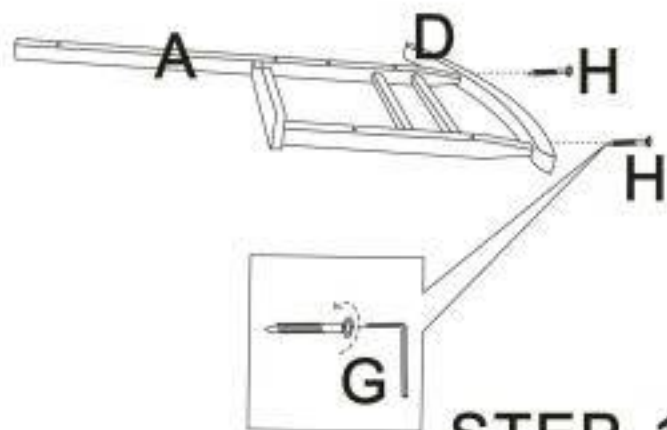
I 12PCS



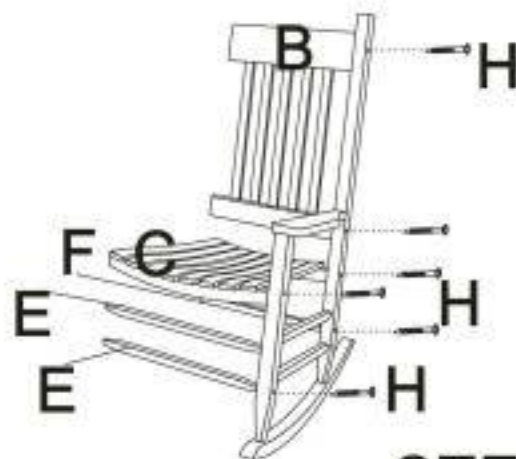
F 1PC



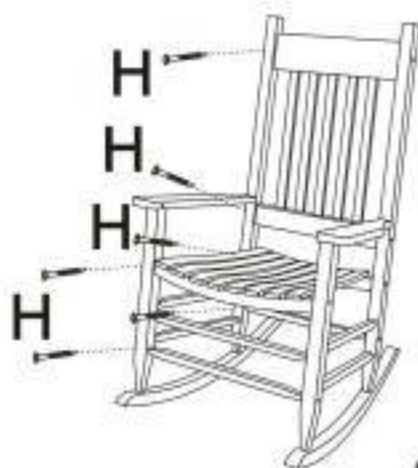
G 1PC



STEP 1



STEP 2



STEP 3

