


Assembly Instructions

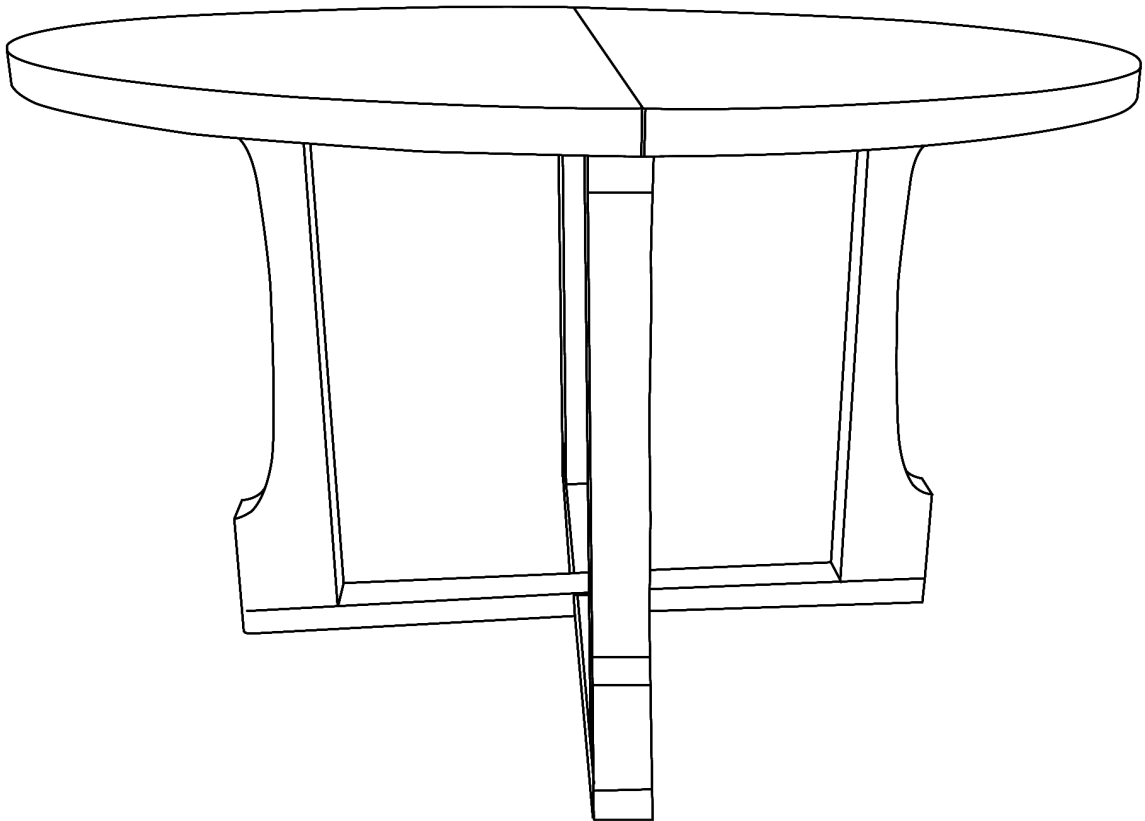
Caution : You must read this before you proceed

Care & Maintenance

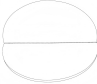

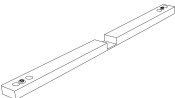
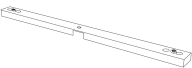
-  ● Not for commercial use. For residential use only.
-  ● Furniture may scratch floors. We recommend using furniture pads to protect your floors.
-  ● Do not put hot items directly on furniture surface.
-  ● Do not clean furniture with harsh cleansers or polish.
-  ● Do not place furniture under direct sunlight.
-  ● Do not place furniture near heating or cooling vents.
-  ● Do not write on furniture without a padded barrier to protect the surface.
-  ● Do not place furniture outside . For indoor use only.
-  ● Stains may be removed with mild soap solution and damp cloth.
-  ● Children should not climb or jump on the furniture.
-  ● Dust and pick-up spills using a clean, non-colored, lint-free cloth.

Please look in Leg for hardware pack.










Table



Parts List

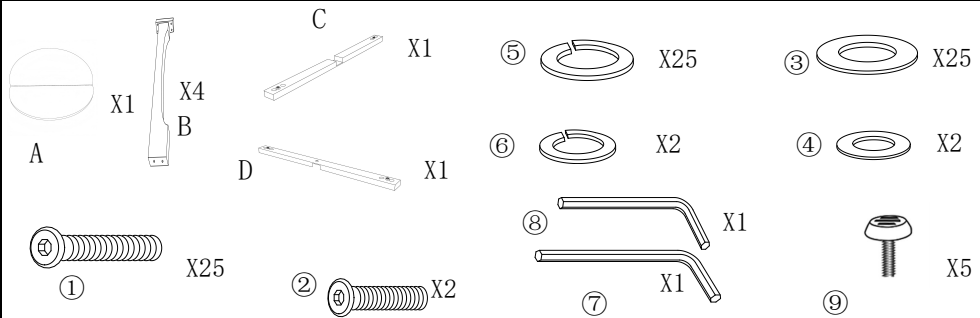
Label	Picture	Description	QTY
A		Table Top	1
B		Table Leg	4
C		Bipod	1
D		Bipod	1

Hardware

Label	Picture	Description	QTY
①		Bolt (8*35mm)	25
②		Bolt (6*20mm)	2
③		Flat Washer (M8)	25
④		Flat Washer (M6)	2
⑤		Spring Washer (M8)	25
⑥		Spring Washer (M6)	2
⑦		5mm Allen Wrench	1
⑧		4mm Allen Wrench	1
⑨		Legs Pad	5

Assembly Preparation

Before Beginning Assembly:



- Read instructions, cover to cover-



- Have 2 adults on hand for assembly-



- Do not assemble on flooring or carpet-



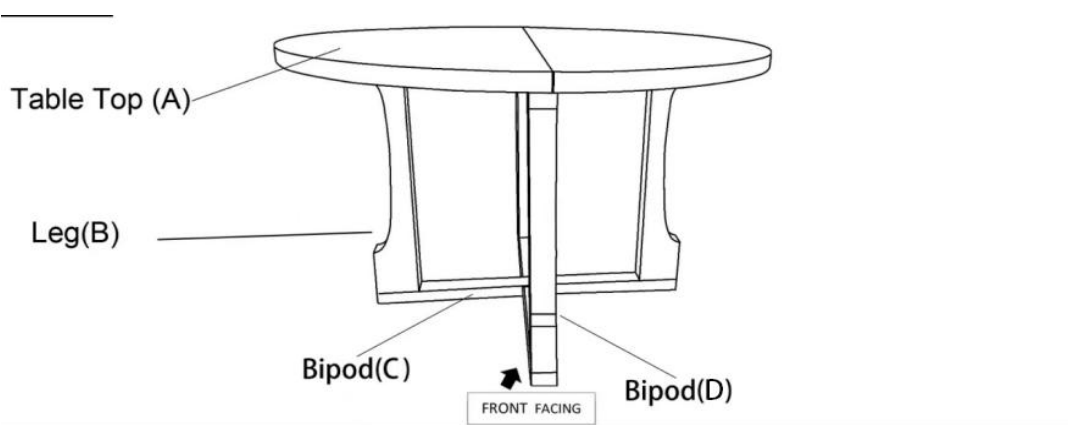
- Assemble on a clean non-marring surface (packing foam)-



- Save all packaging until finished-

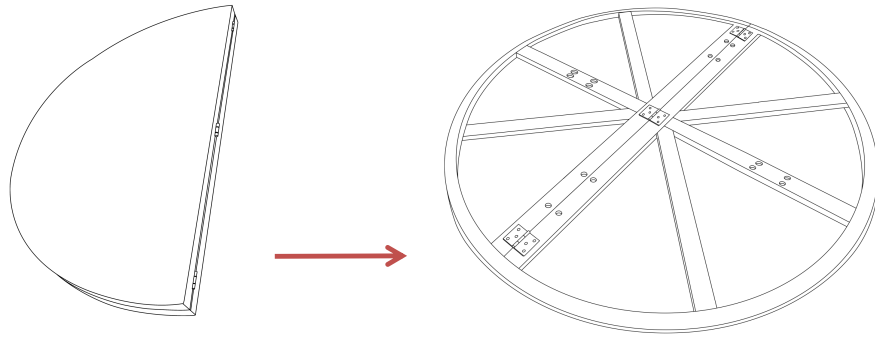
Assembly Steps

Overview



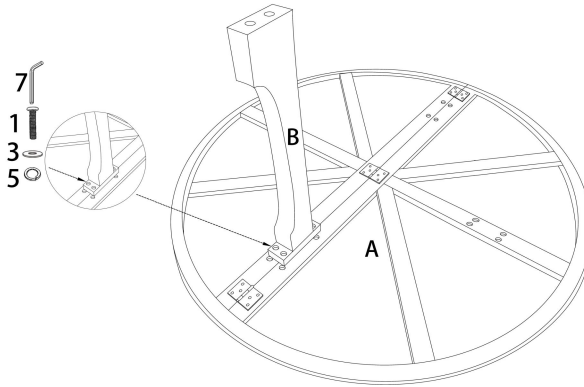
This Table has multiple parts and may require up to 30 minutes to assemble. To give you an overview of the Dining Table parts, the above picture is to help you put the various parts into perspective. Please read through the instructions below to familiarise yourself with the parts and steps before assembly

Step 1



Place Table Top (A) on a clean, non-marring surface, facedown and open.

Step 2

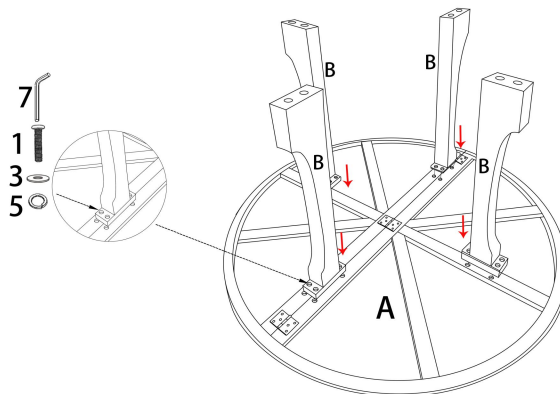


Align the mounting positions on the Table Leg (B) to the mountings on the Table Top(A).

Attach Bolt(①)+Flat Washer(③)and Spring Washer(⑤) with Allen Wrench(⑦).

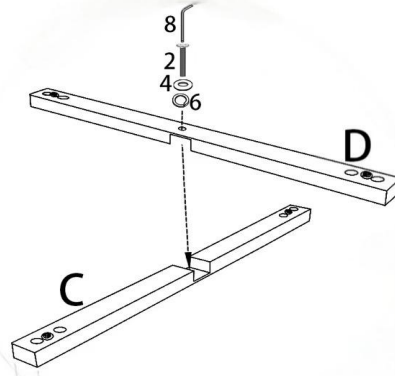
Note: DO NOT fully tighten the Bolts at this time.

Step 3



Repeat the same process (Step 2) with the Other three Table Legs(B).
Note: DO NOT fully tighten the Bolts at this time.

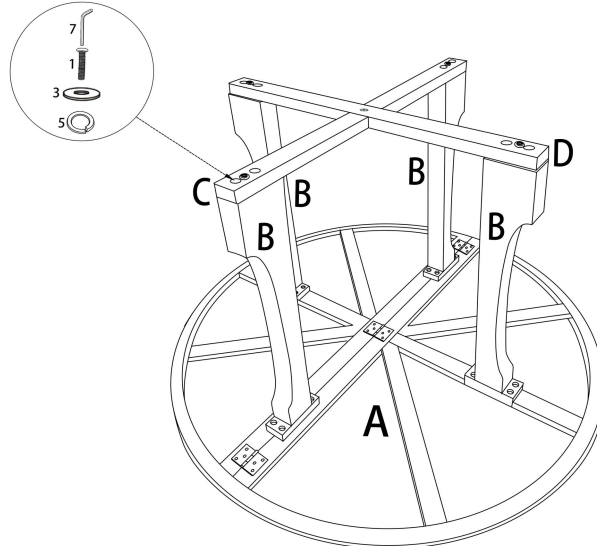
Step 4



Insert the Bipod(D) into the other Bipod(C) . Meanwhile using Bolt(②) + Flat Washer(④) and Spring Washer(⑥) with Allen Wrench (⑧).

Note: DO NOT fully tighten the Bolts at this time.

Step 5

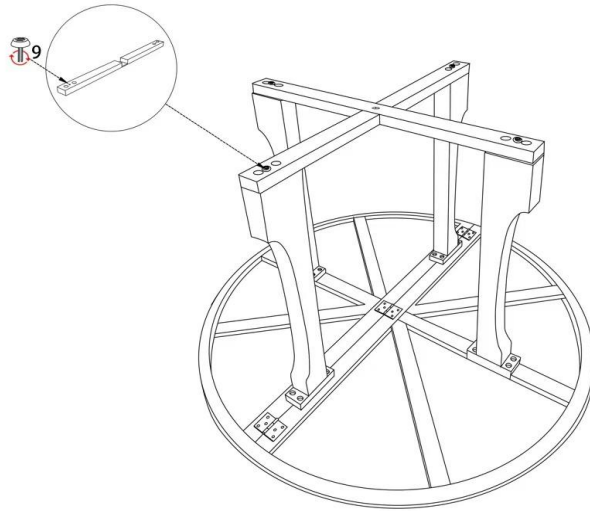


Align the mounting positions on the Bipod(C&D) to the mountings on the Table Legs(B).

Then insert the Bolt(①)+Flat Washer(③)and Spring Washer(⑤) with Allen Wrench(⑦) as shown.

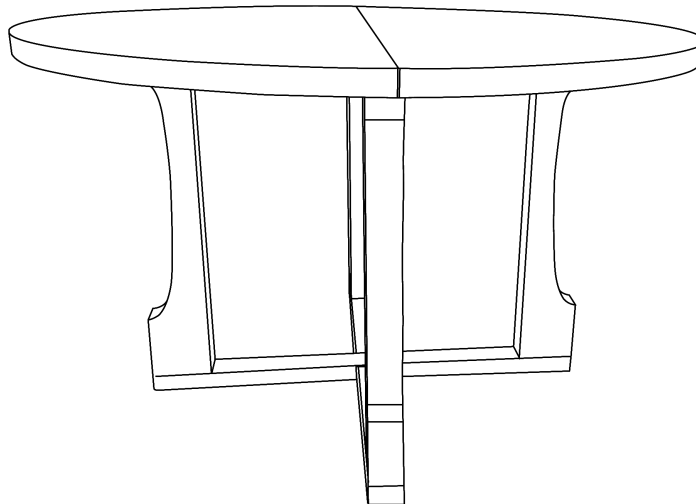
Note: DO NOT fully tighten the Bolts at this time.

Step 6



Attach Legs Pad(⑨) to the Bibops(C&D) by hand.

Step 7



Turn the Table right side up.
Inspect it and make sure all parts are adequately connected.
Then tighten all screws.
Your Table is ready for use.
This Table can only be used on a flat, level surface.