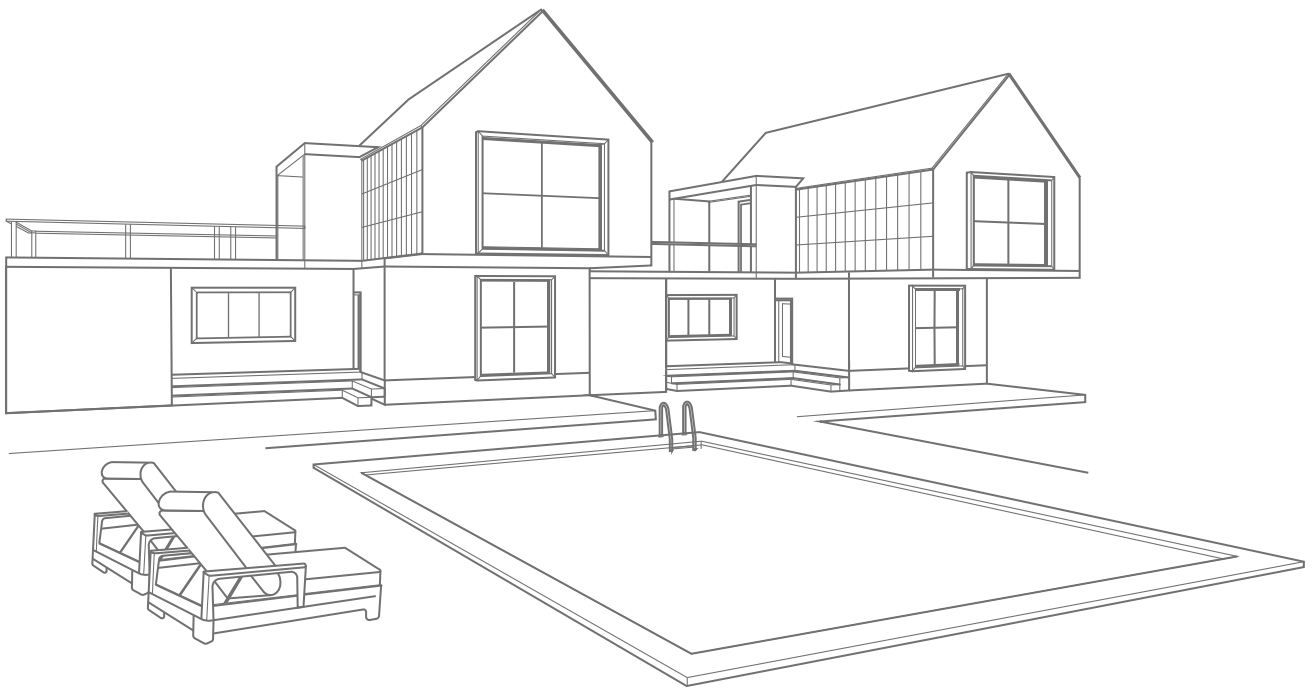
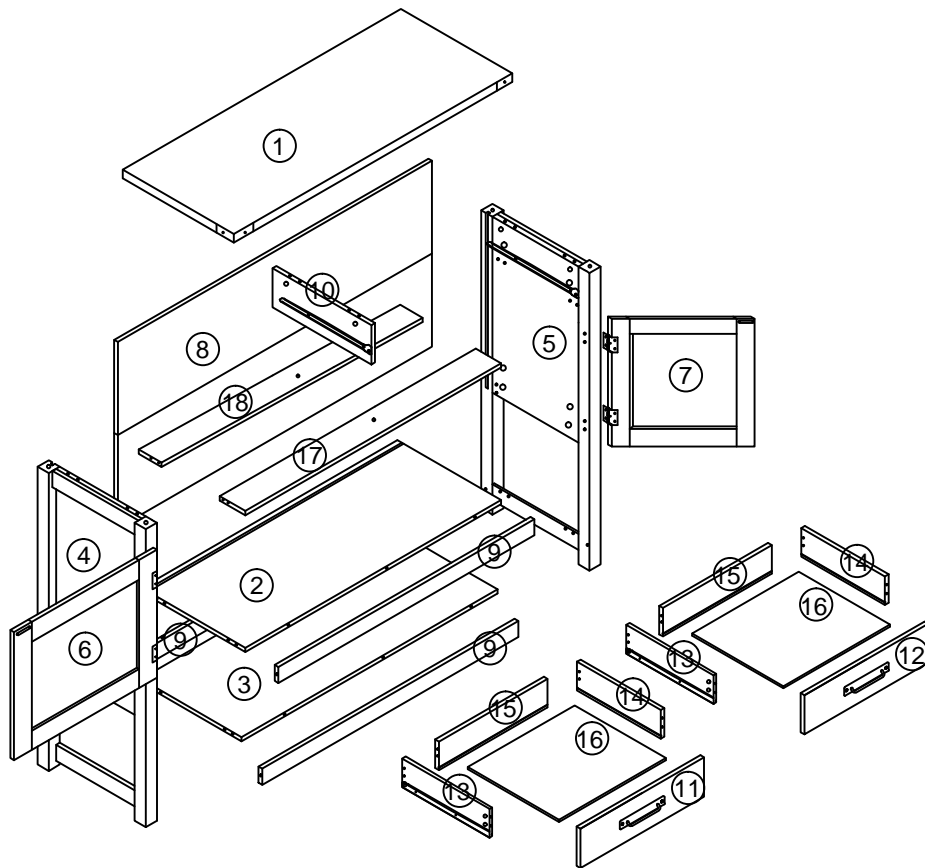


Table



COMPONENTS ID Nr.

Please check that you have all the parts listed below

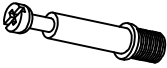





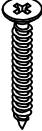
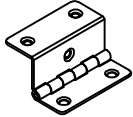
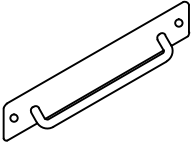
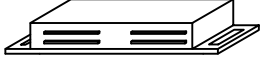
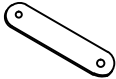
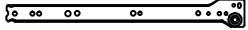
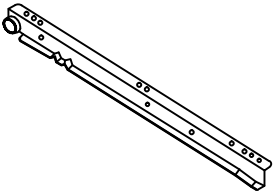

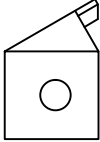



1	Top panel	X1
2	laminated	X1
3	Bottom panel	X1
4	Left side plate	X1
5	Right side plate	X1
6	Left door panel	X1
7	Right door	X1
8	panel	X1
9	Drop Down Bar	X3
10	Middle riser	X1

11	Smoked noodles	X1
12	Smoked noodles	X1
13	Left pumping side	X2
14	Right pumping side	X2
15	Whipping tail	X2
16	Bottom extraction	X2
17	Front brace	X1
18	Back brace	X1

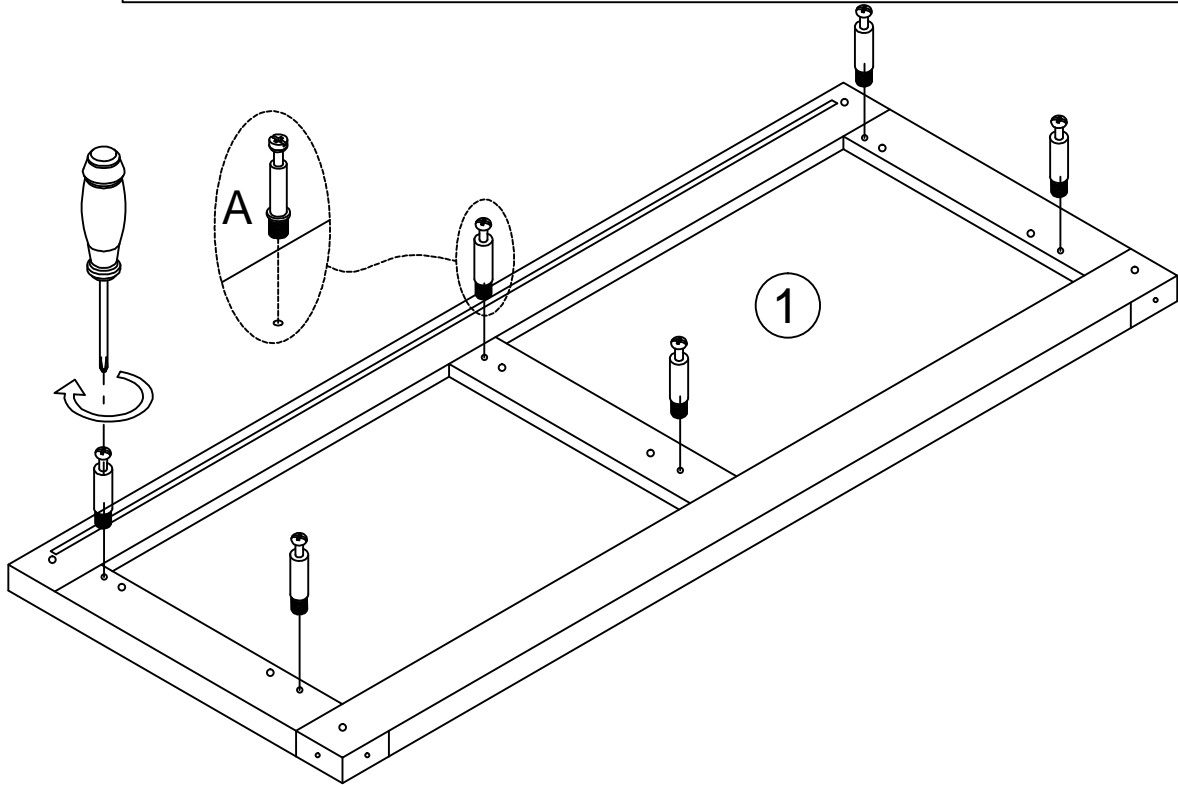
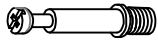
HARDWARE LIST

Please check that you have all the parts listed below

<p>(A) x 45+1pcs</p>  <p>Ø6*28mm</p>	<p>(B) x 45+1pcs</p>  <p>Ø15x9 mm</p>	<p>(C) x 22+1pcs</p>  <p>Ø6x30 mm</p>	<p>(D) x 2pcs</p>  <p>Ø5x40 mm</p>
<p>(E) x 32+1pcs</p>  <p>Ø3.5x12 mm</p>	<p>(F) x 40+1pcs</p>  <p>Ø3.5x14 mm</p>	<p>(G) x 8pcs</p>  <p>Ø 3.5x35 mm</p>	<p>(H) x4pcs</p> 
<p>(J) x 4pcs</p> 	<p>(K) x 1pcS</p> 	<p>(L) x 2pcs</p> 	<p>(M) x 4pcs</p> 
<p>(N) x4pcs</p> 	<p>(O) x 1pcS</p>  <p>M3</p>	<p>(P) x 4pcS</p> 	<p>(I) x 1pcs</p> 

1

(A) x 6pcs

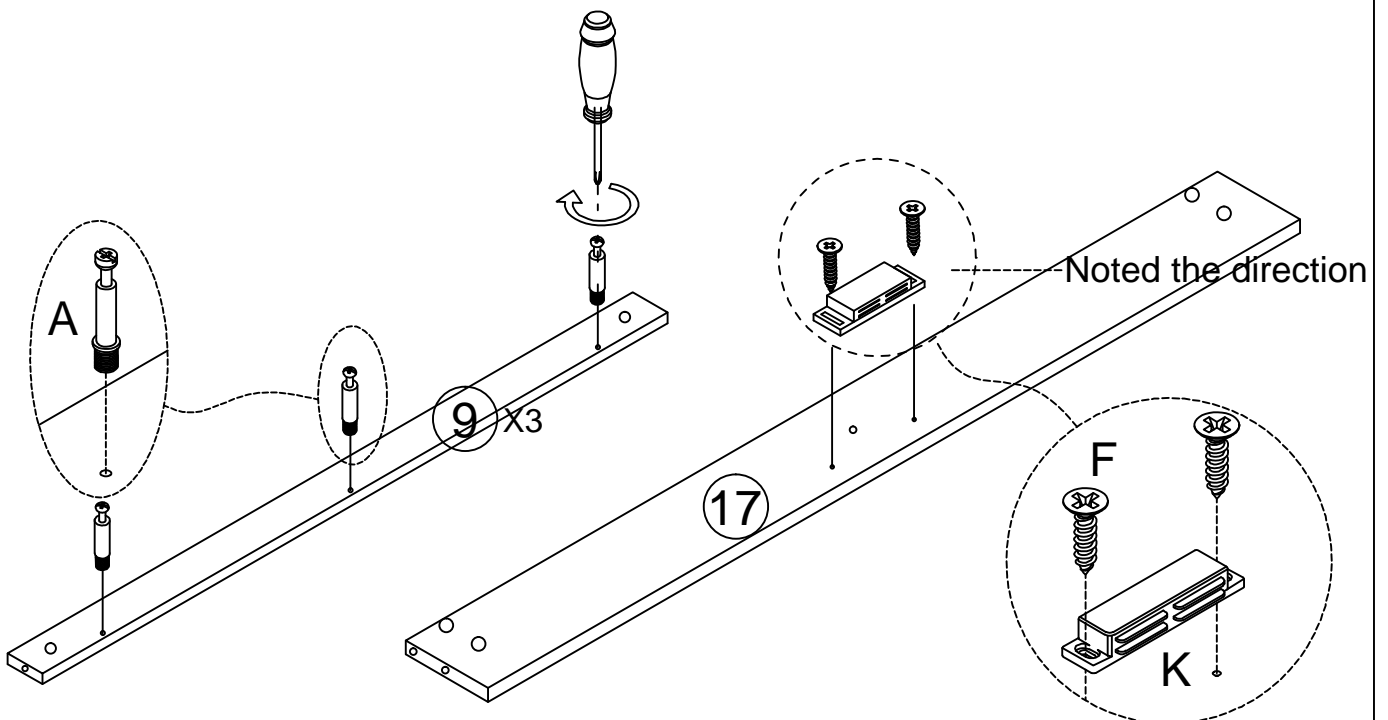
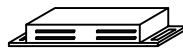
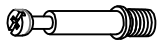


2

(A) x 9pcs

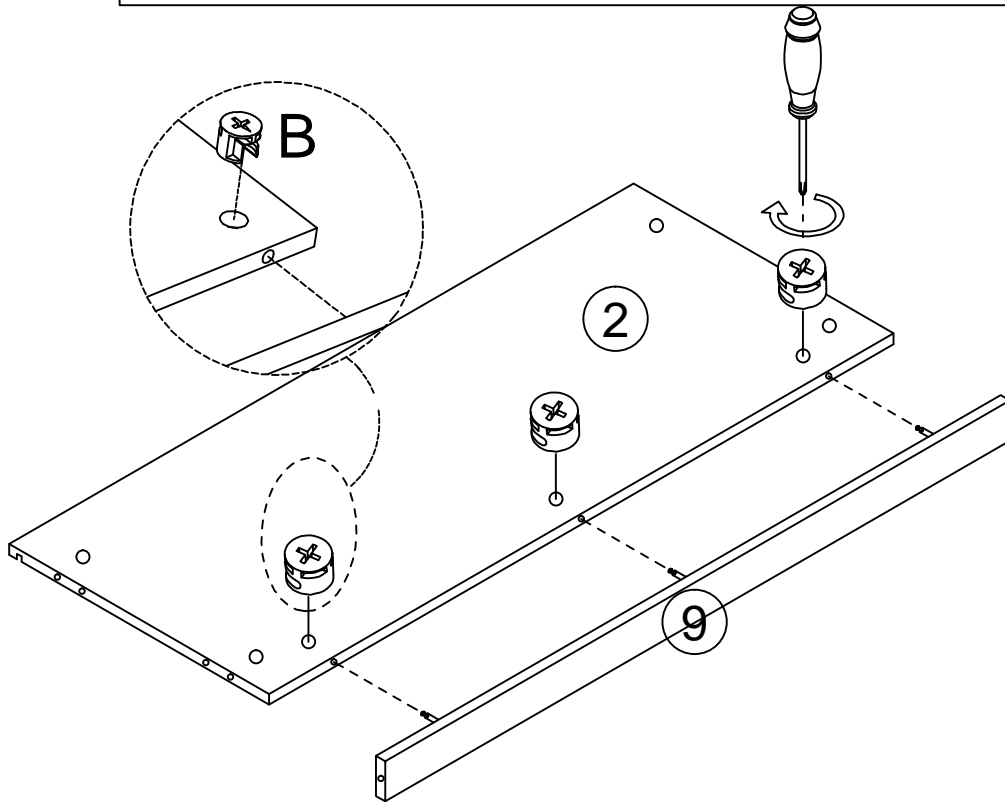
(F) x 2pcs

(K) x 1pcs



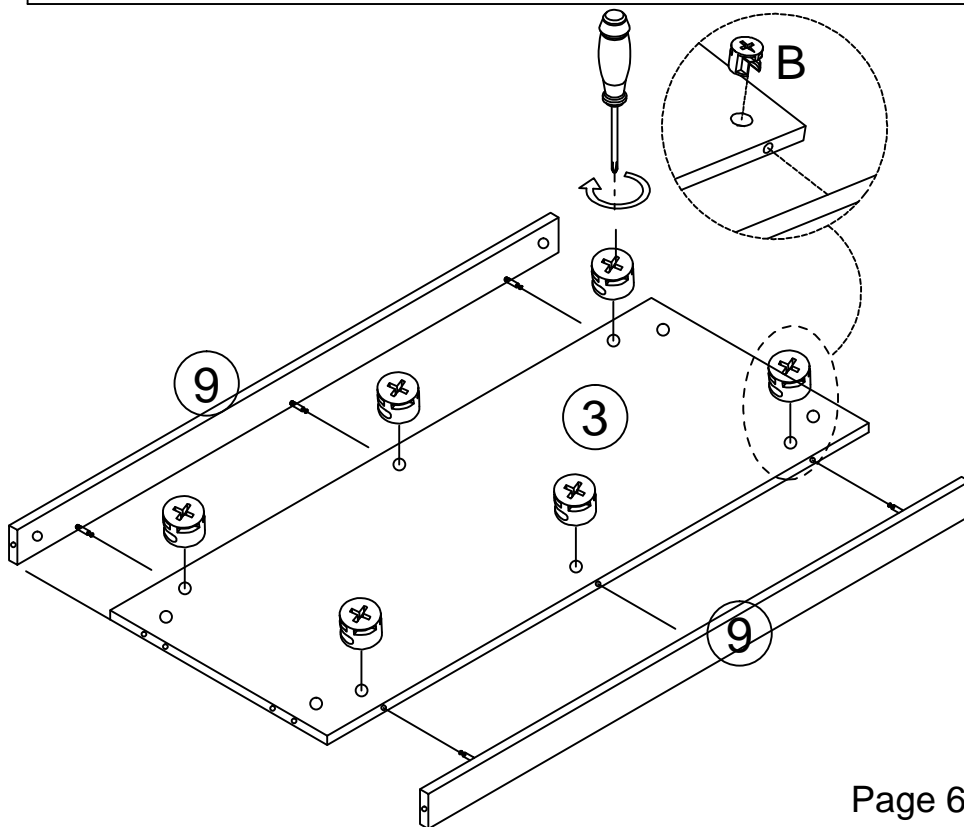
3

(B) x 3pcs



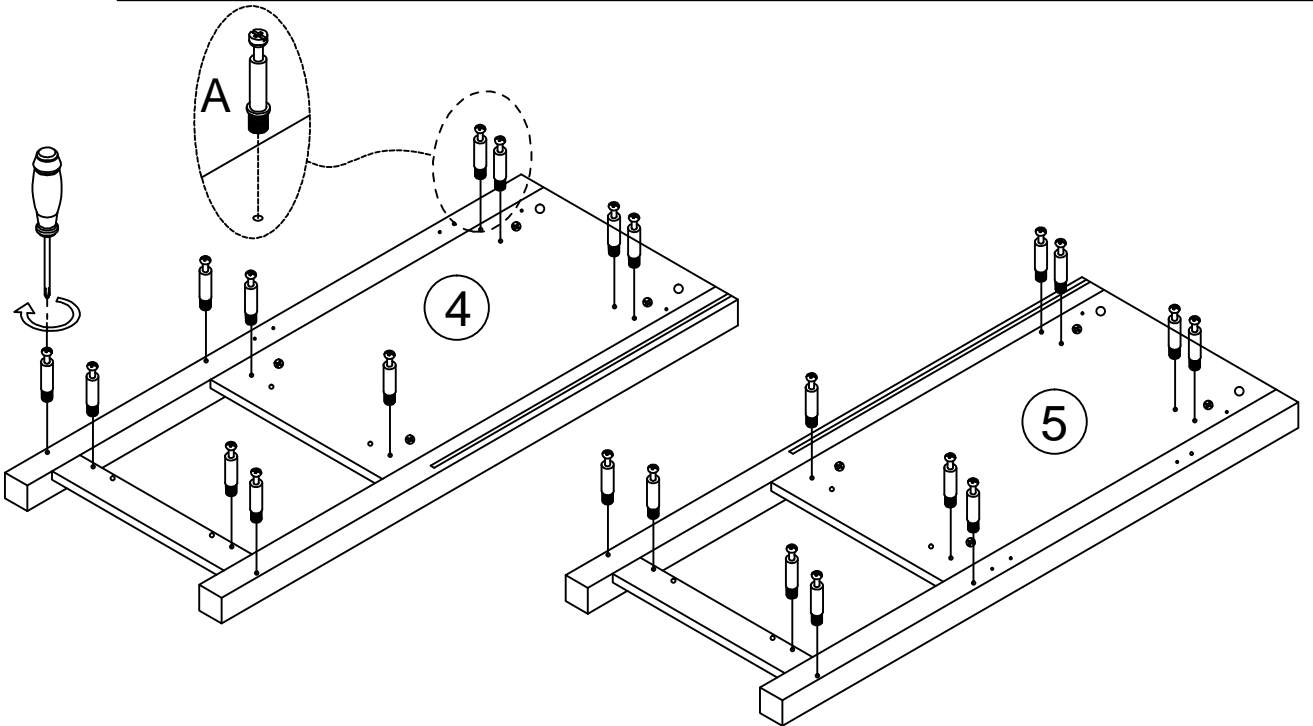
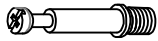
4

(B) x 6pcs



5

(A) x 22pcs



6

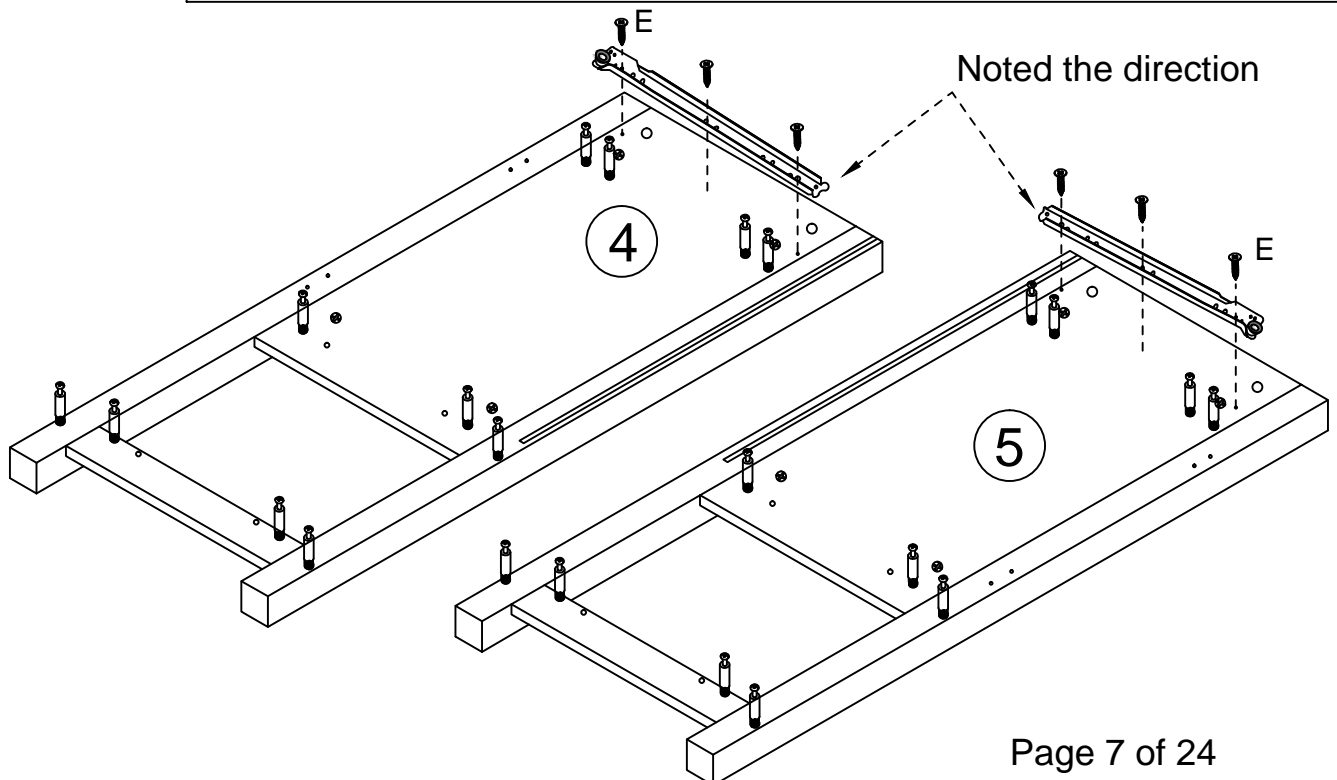
(E) x 6pcs



(M) x 2pcs



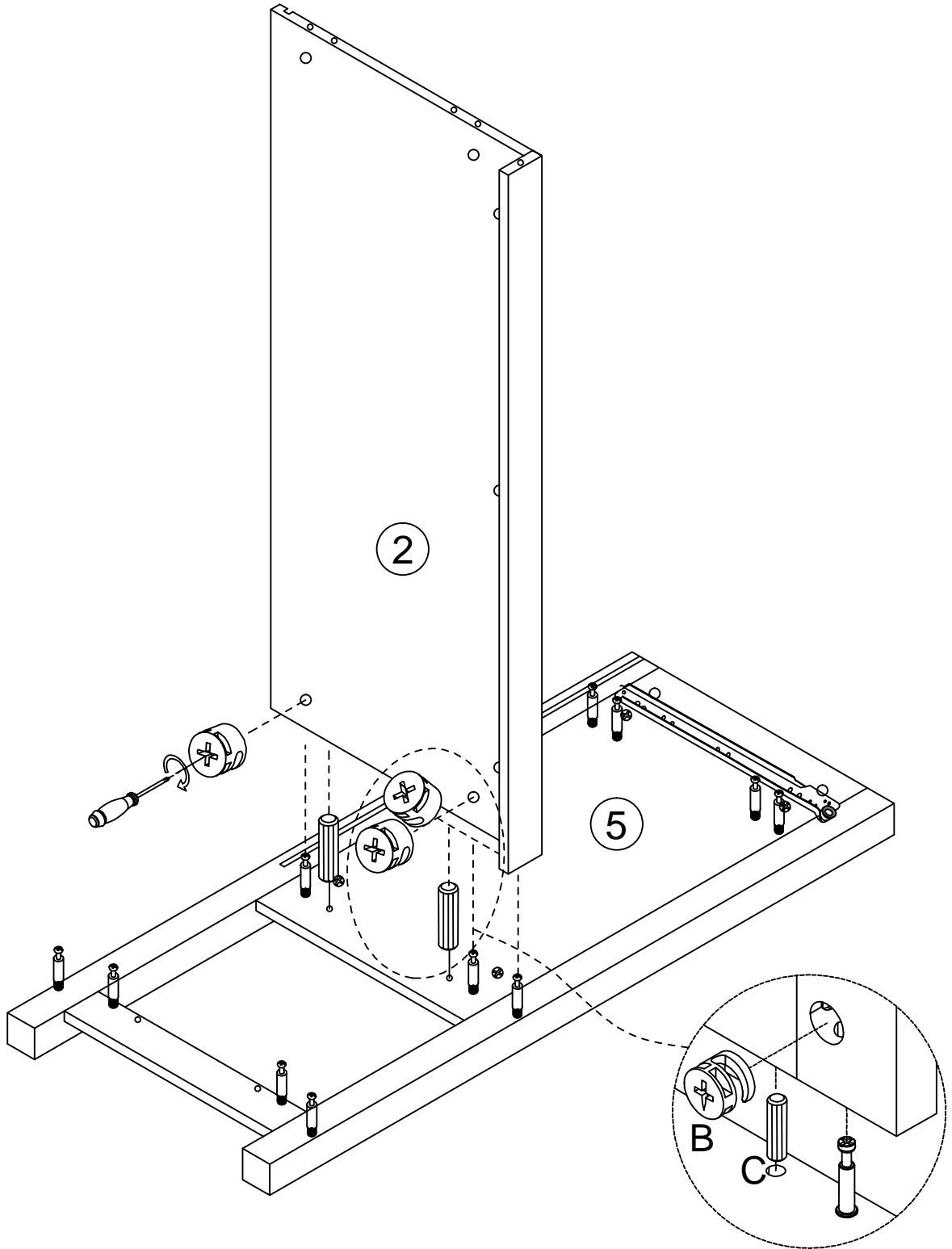
Noted the roller is downward



7

Ⓑ x 3pcs

Ⓒ x 2pcs

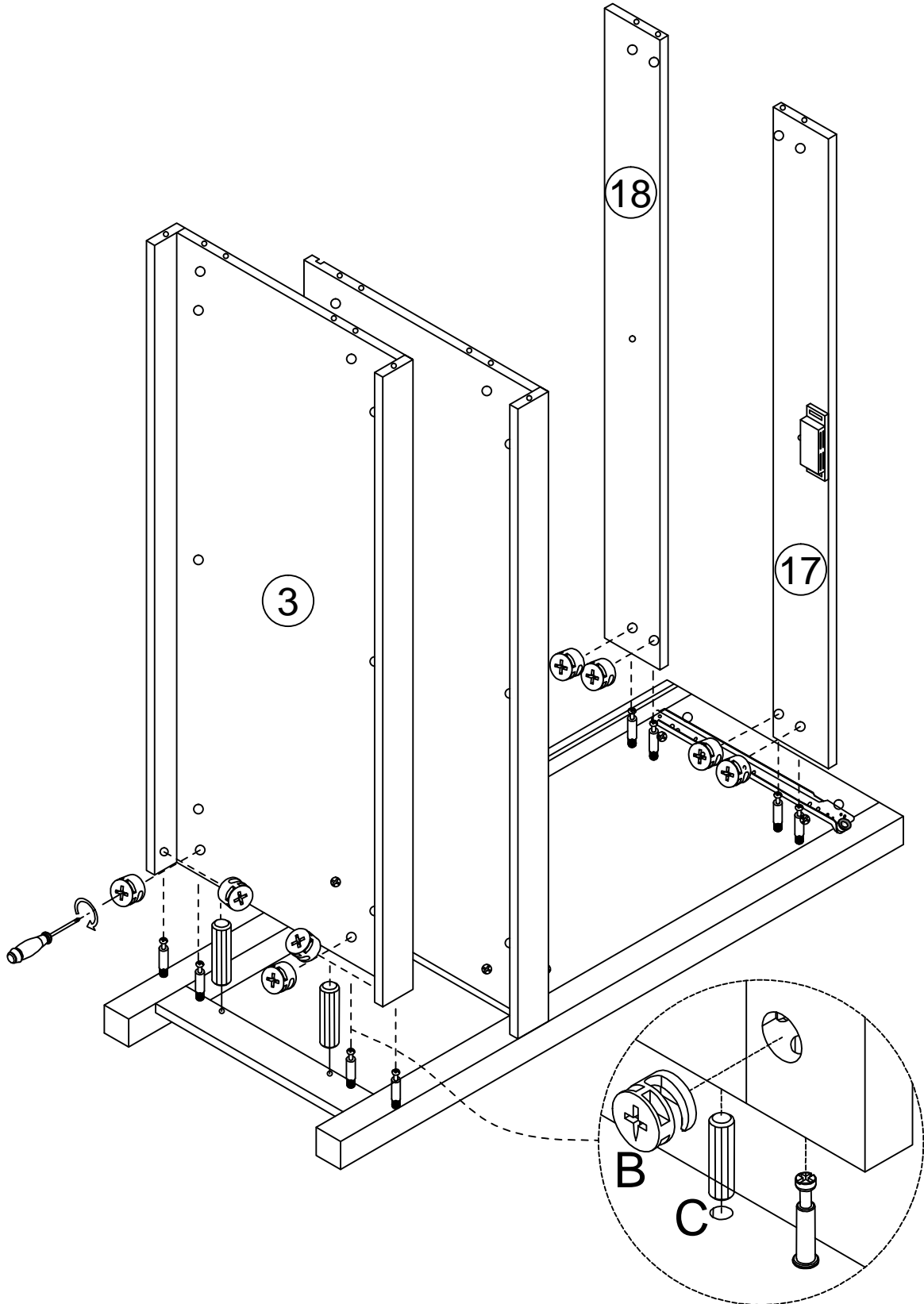


8

Ⓑ x 8pcs



Ⓒ x 2pcs

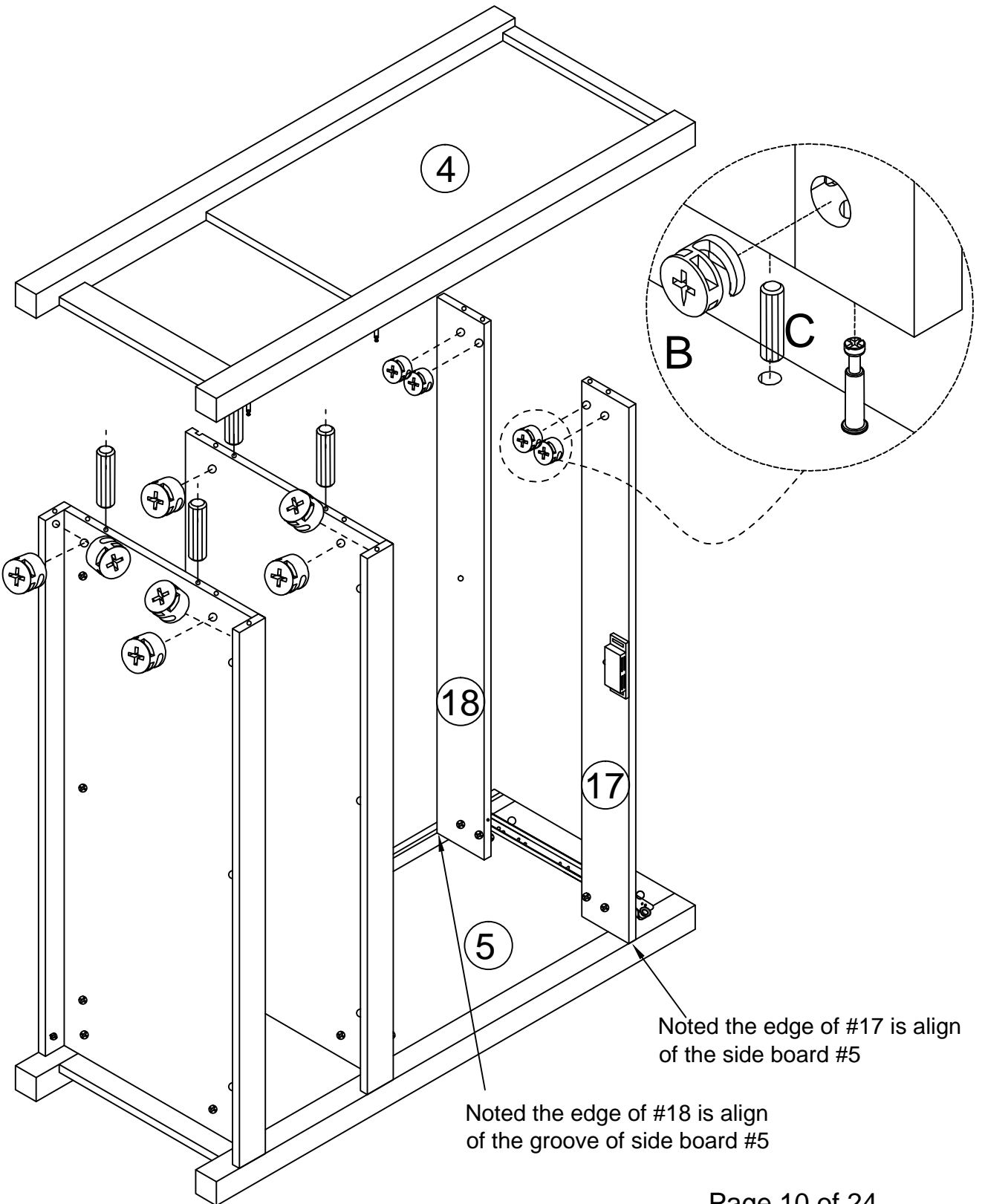


9

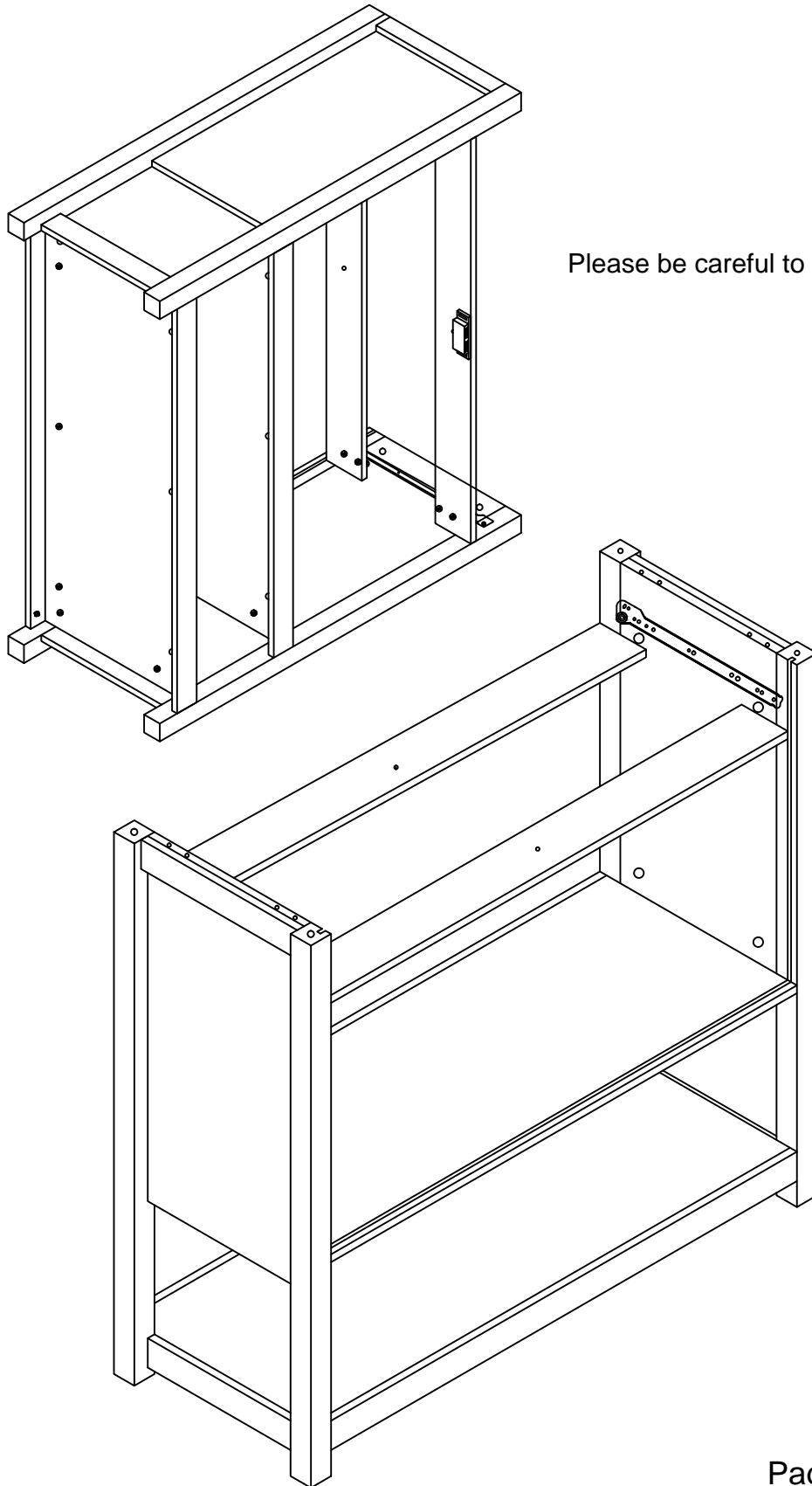
(B) x 11pcs



(C) x 4pcs



10

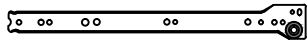


Please be careful to standup the product.

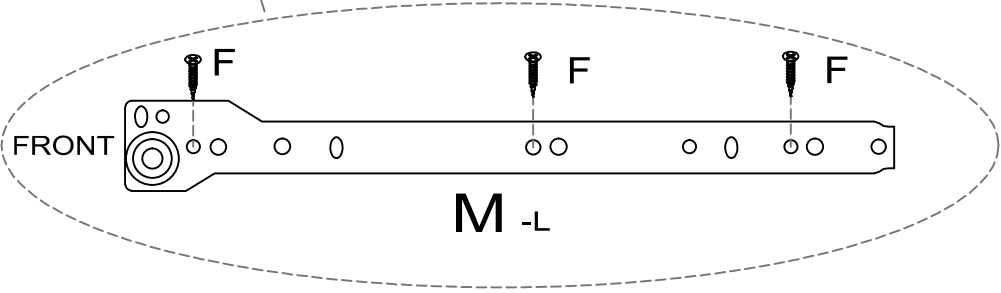
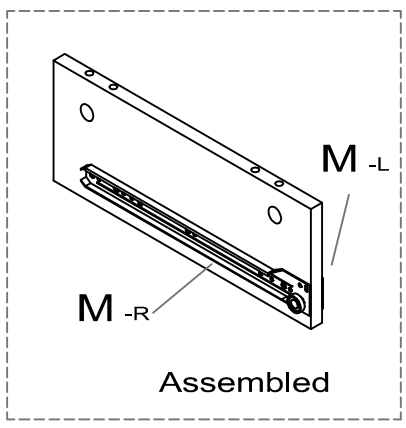
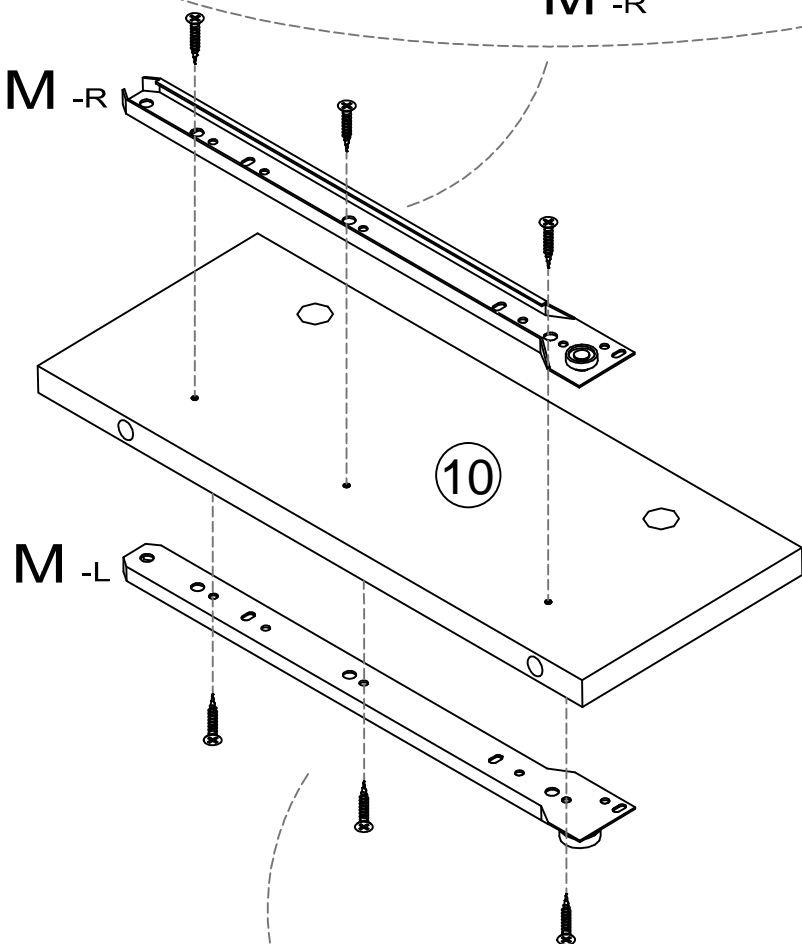
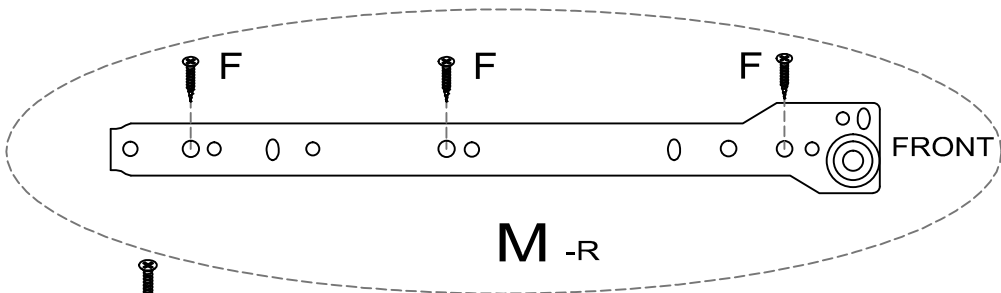
11

(E) x 6pcs

(M) x 2pcs



Please noted the screw assembly holes is different between the M-L and M-R



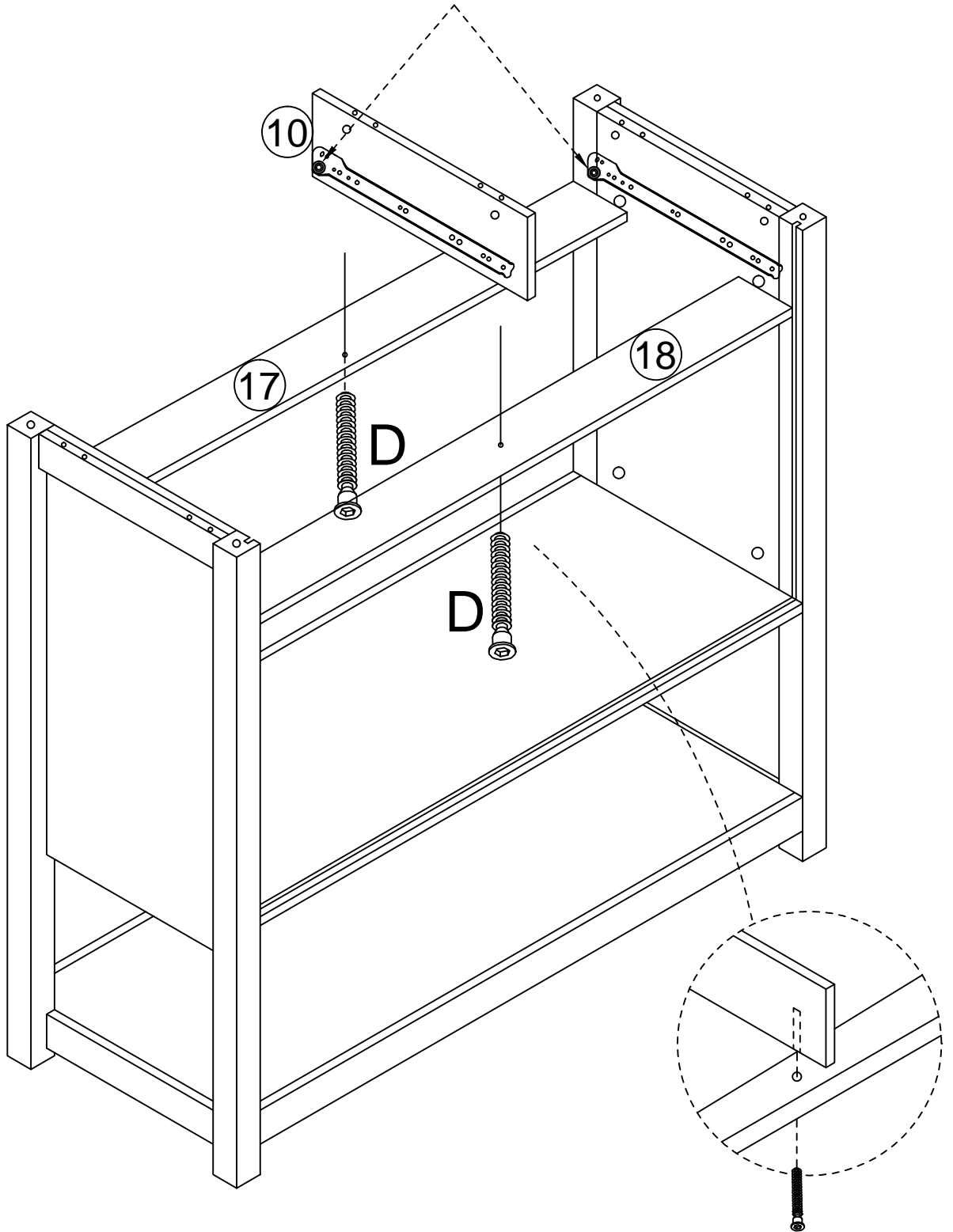
12

ⓓ x 2pcs

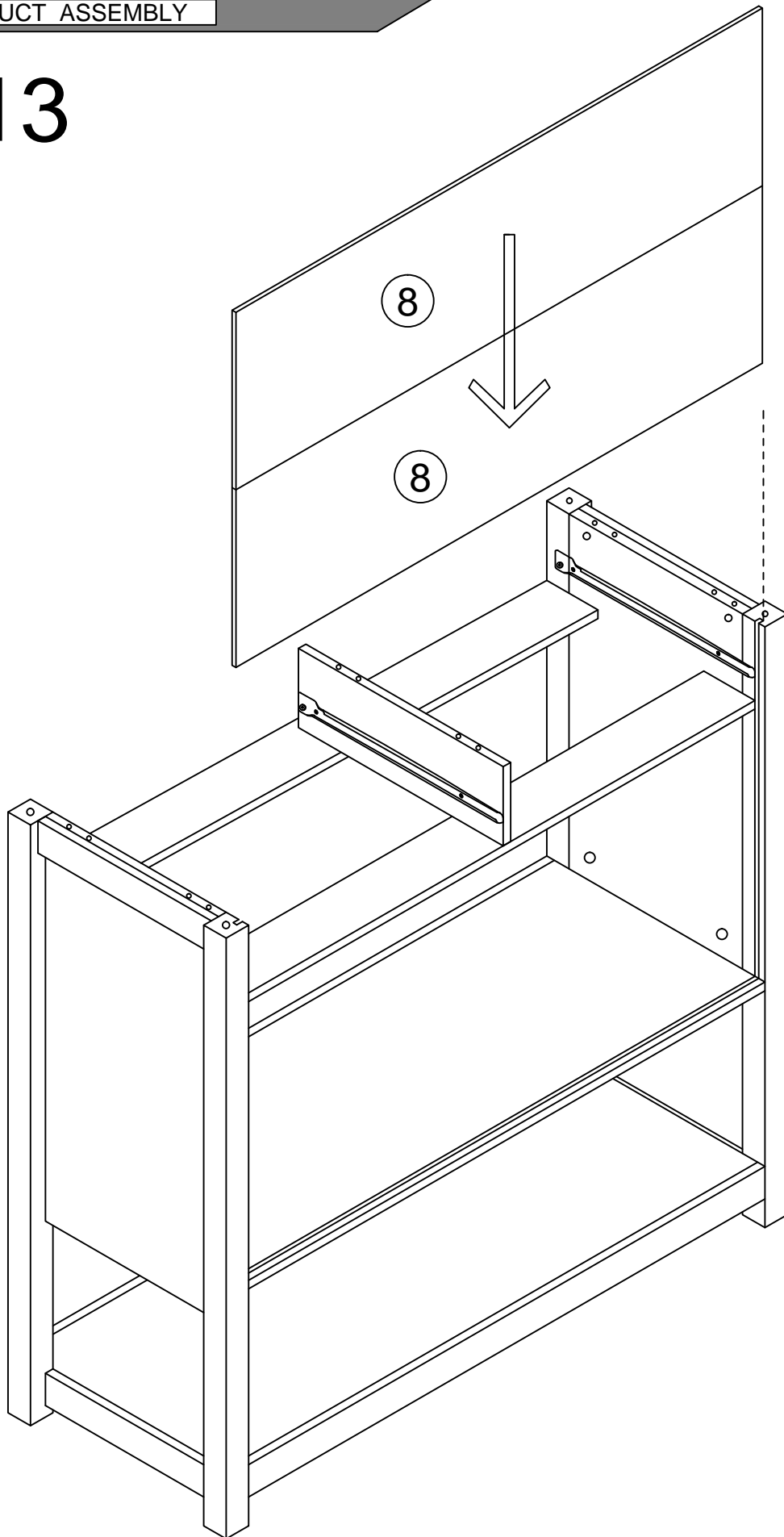
Ⓞ x 1pcs



Noted the direction of roller of glide is consistent



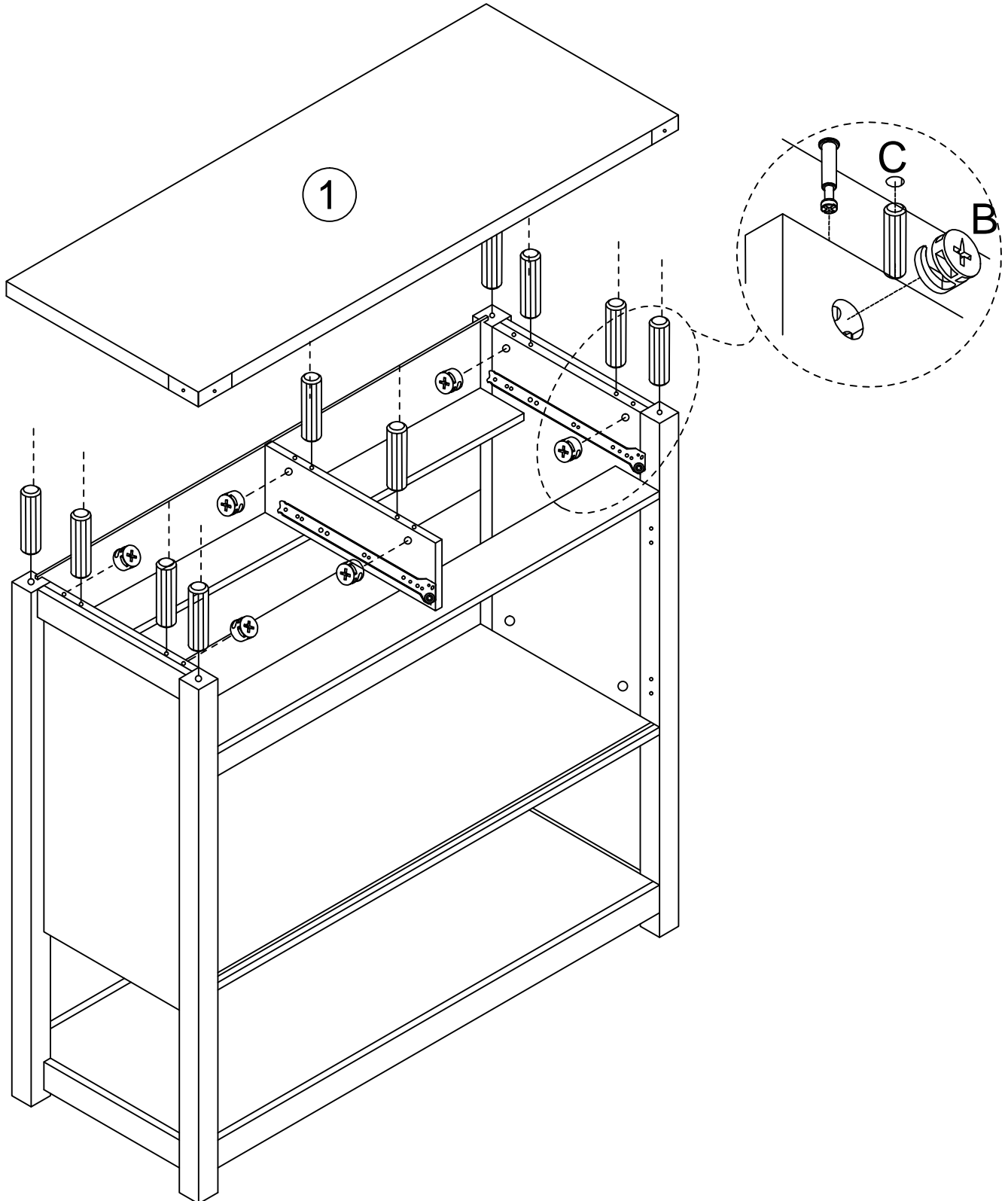
13



14

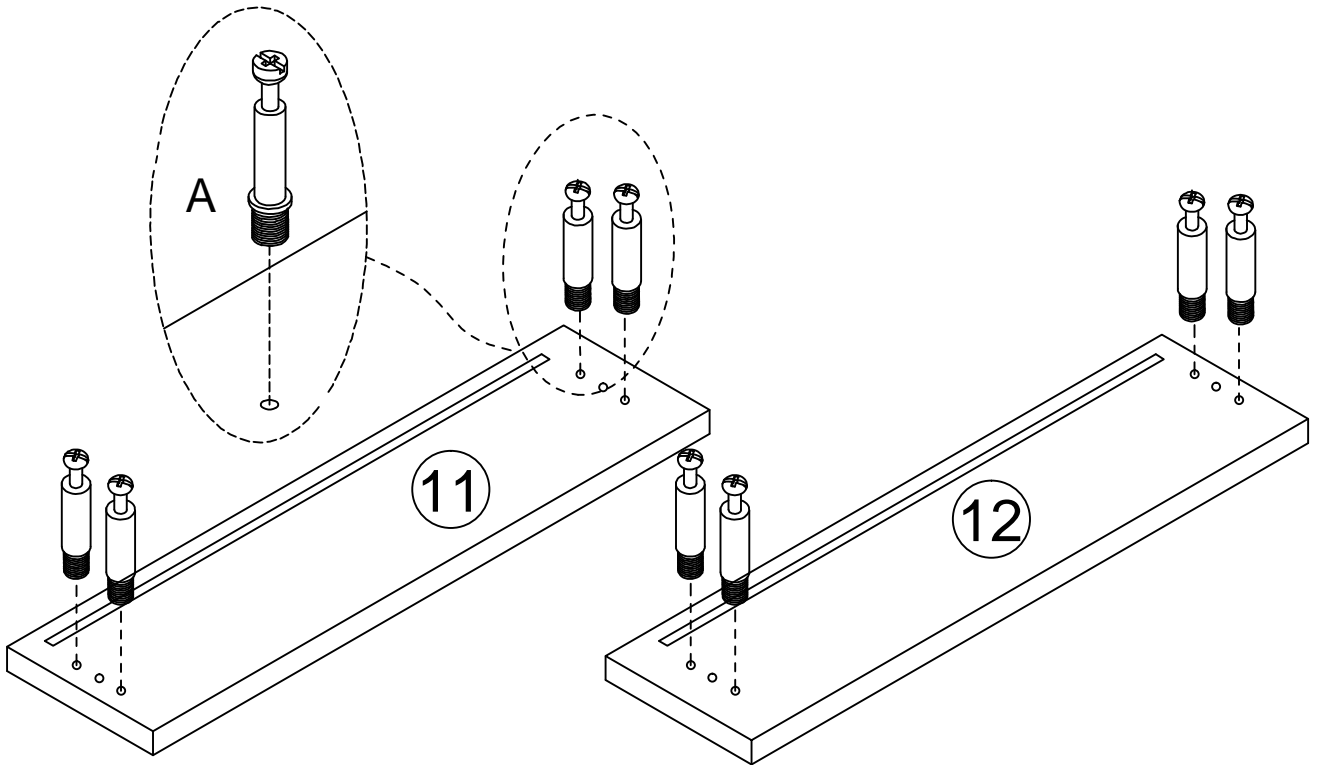
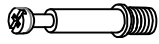
Ⓑ x 6pcs

Ⓒ x 10pcs



15

(A) x 8pcs

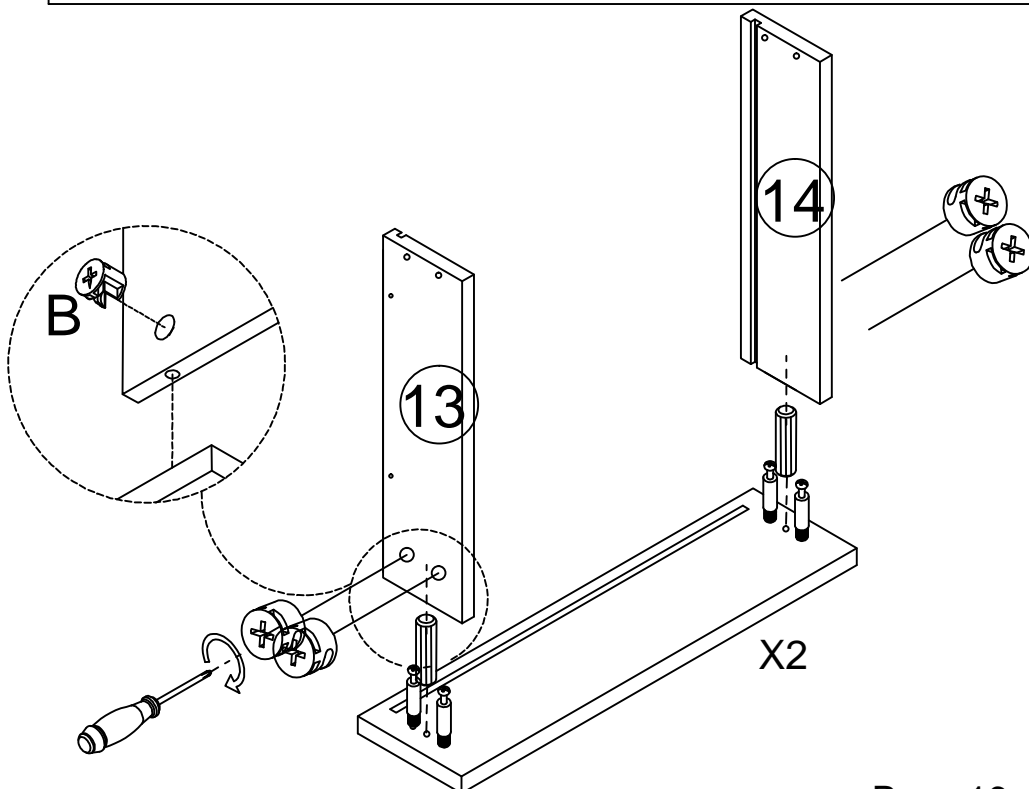


16

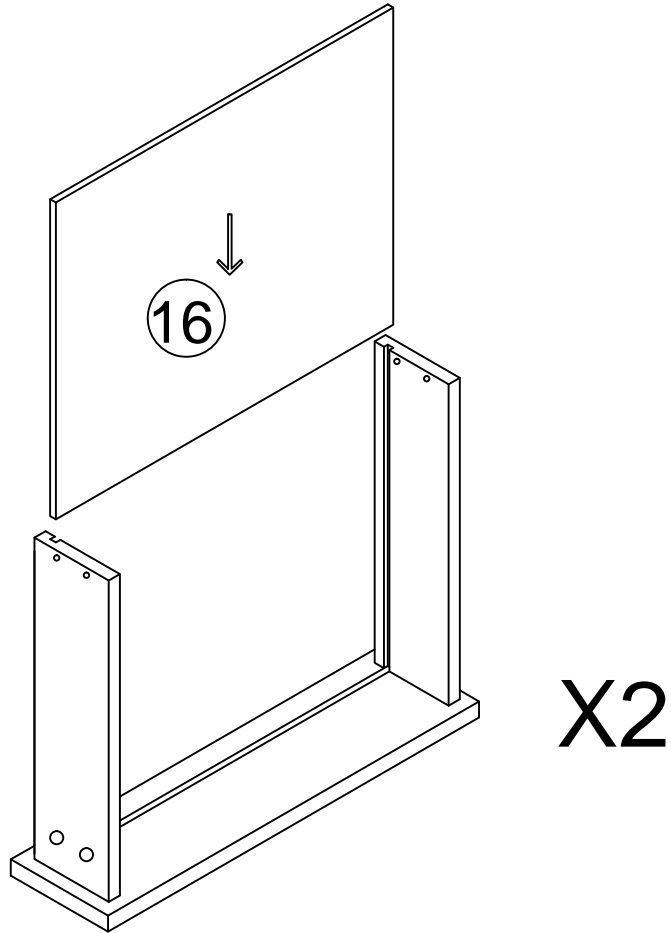
(B) x 8pcs



(C) x 4pcs

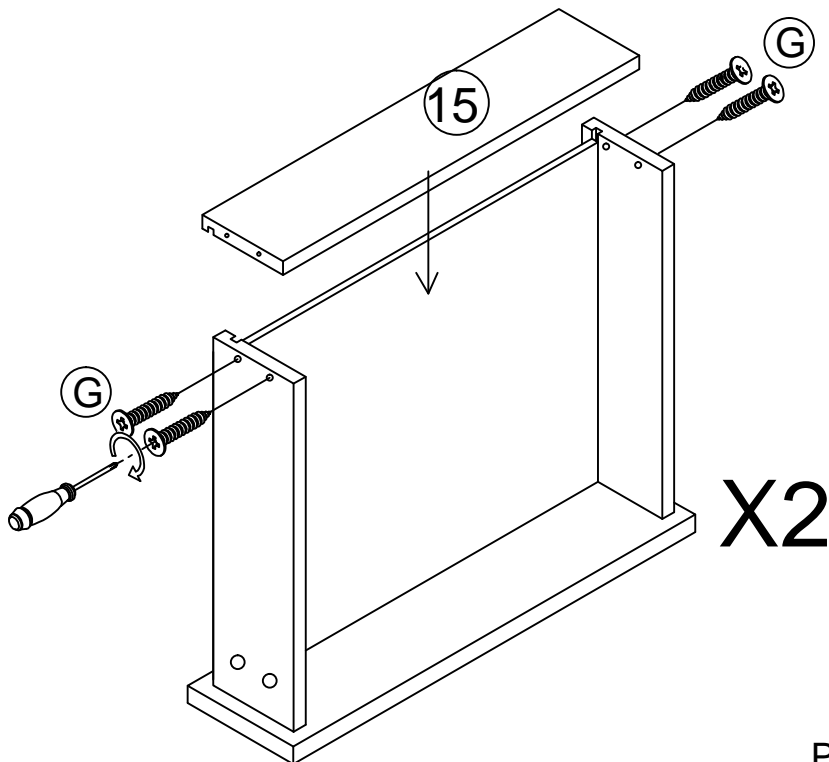


17

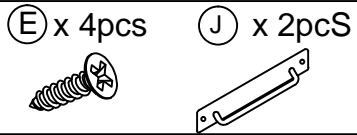


18

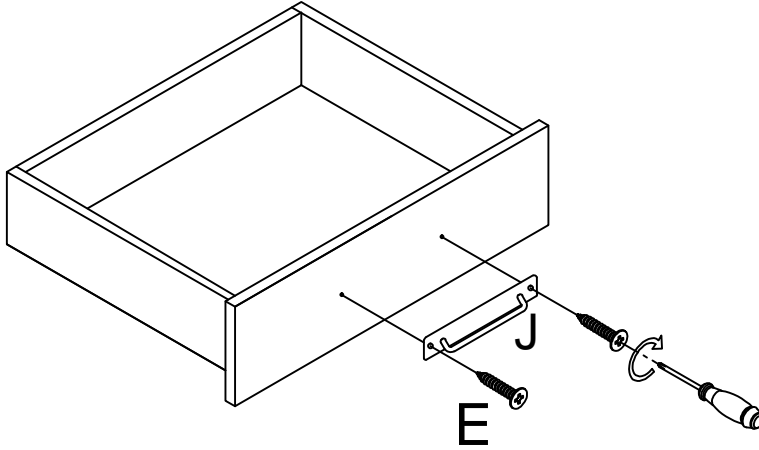
ⓐ x 8pcs



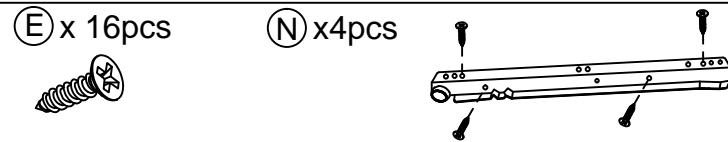
19



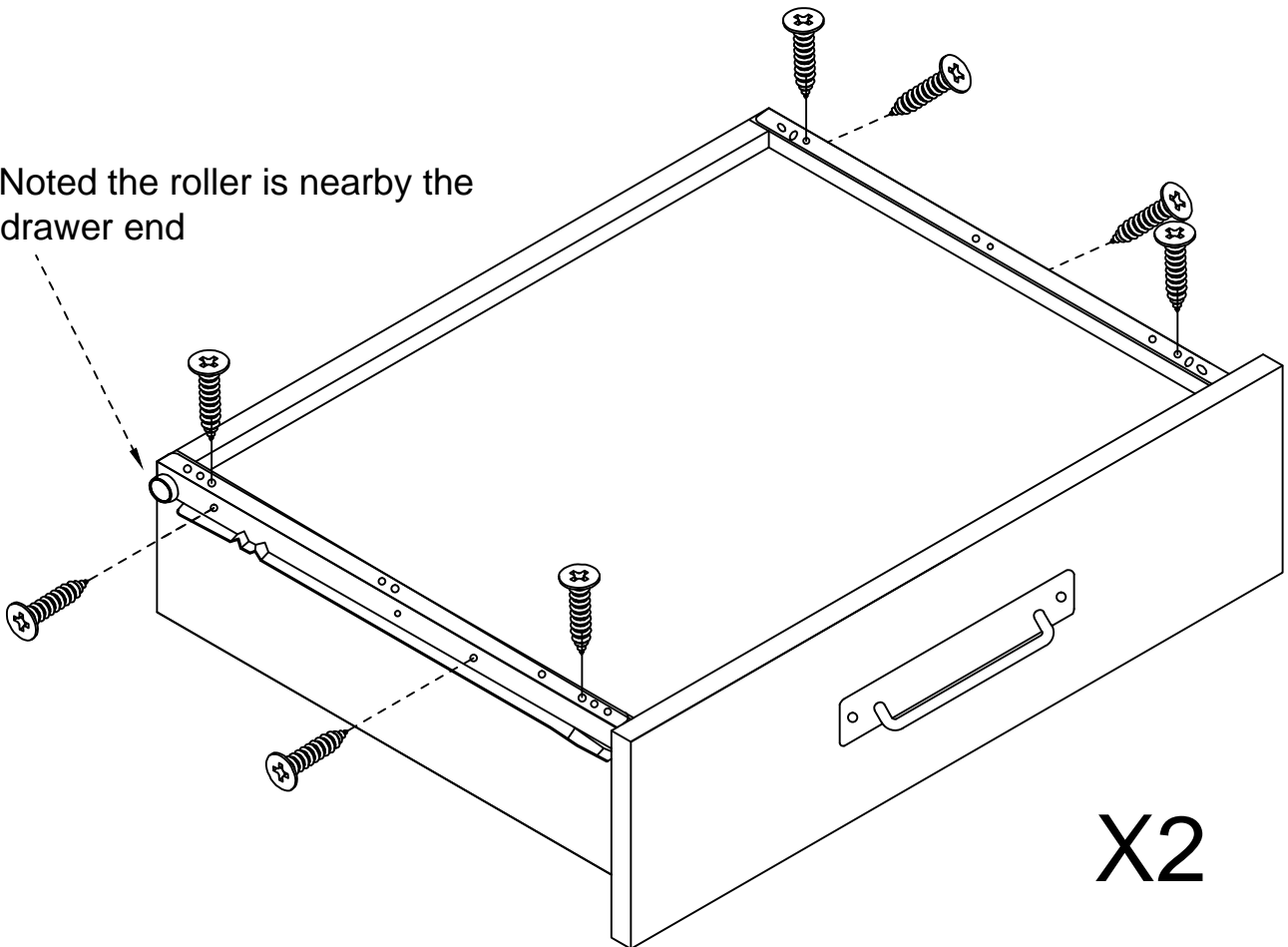
X2



20



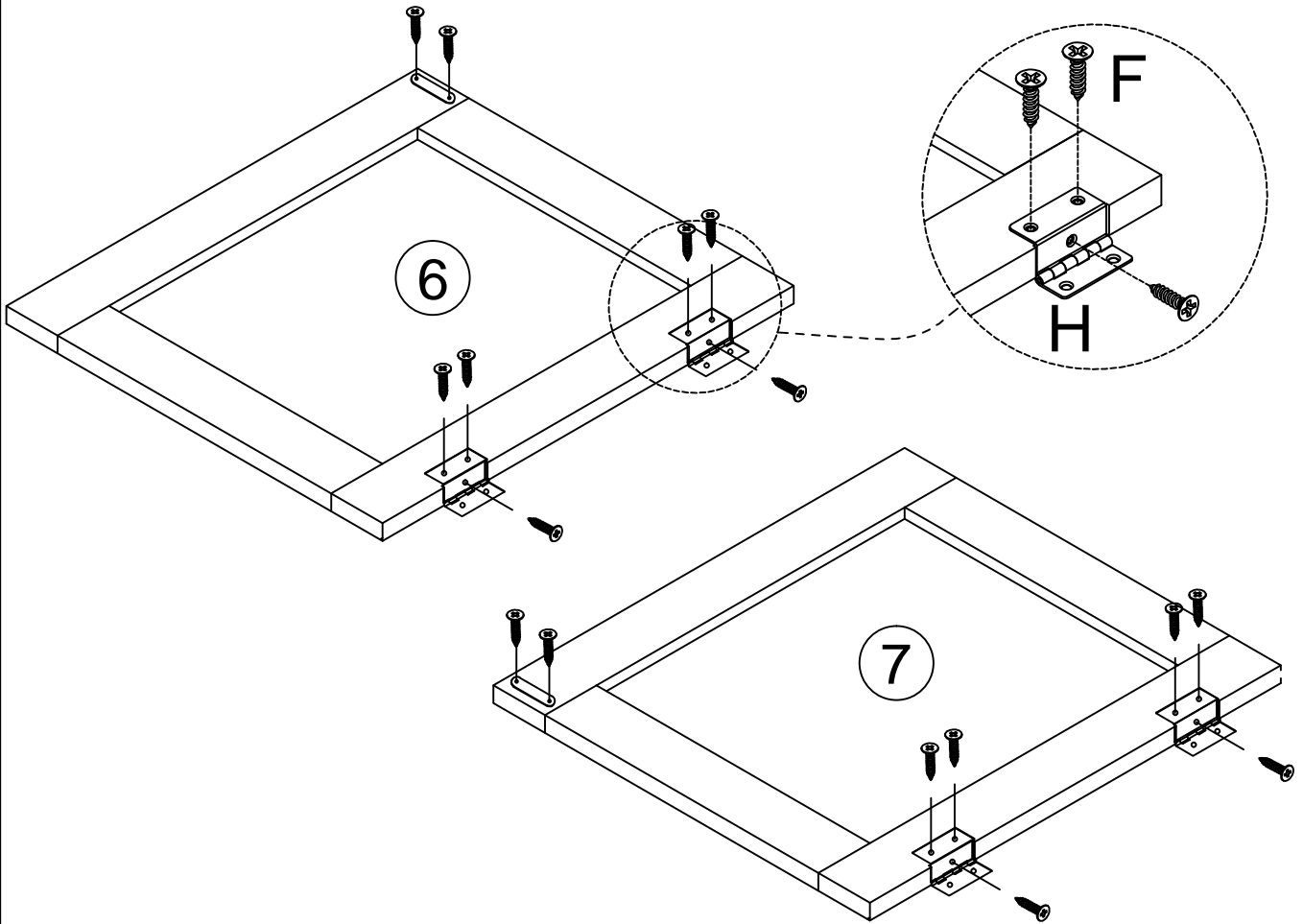
Noted the roller is nearby the drawer end



X2

21

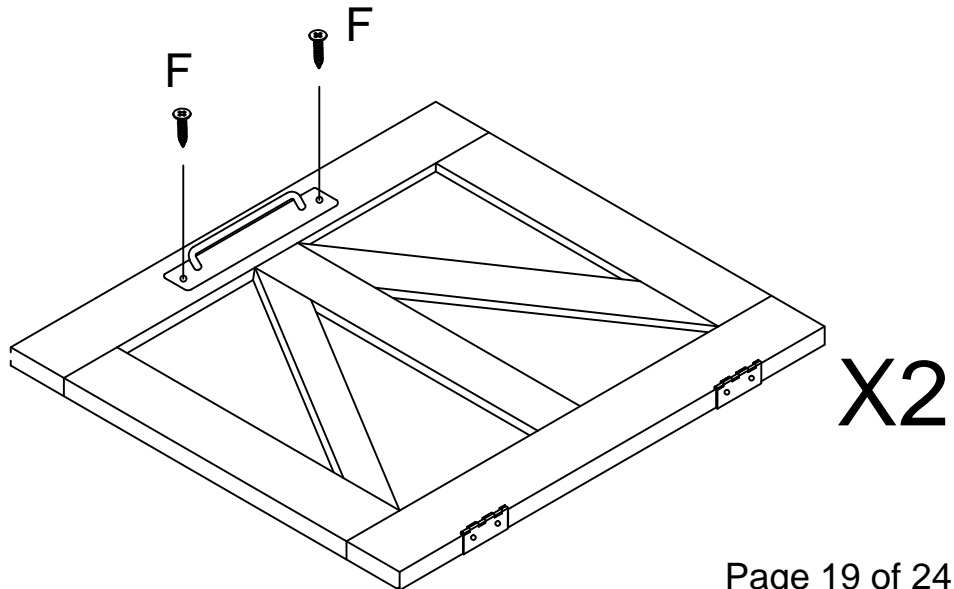
(H) x 4pcs (L) x 2pcs (F) x 16pcs



22

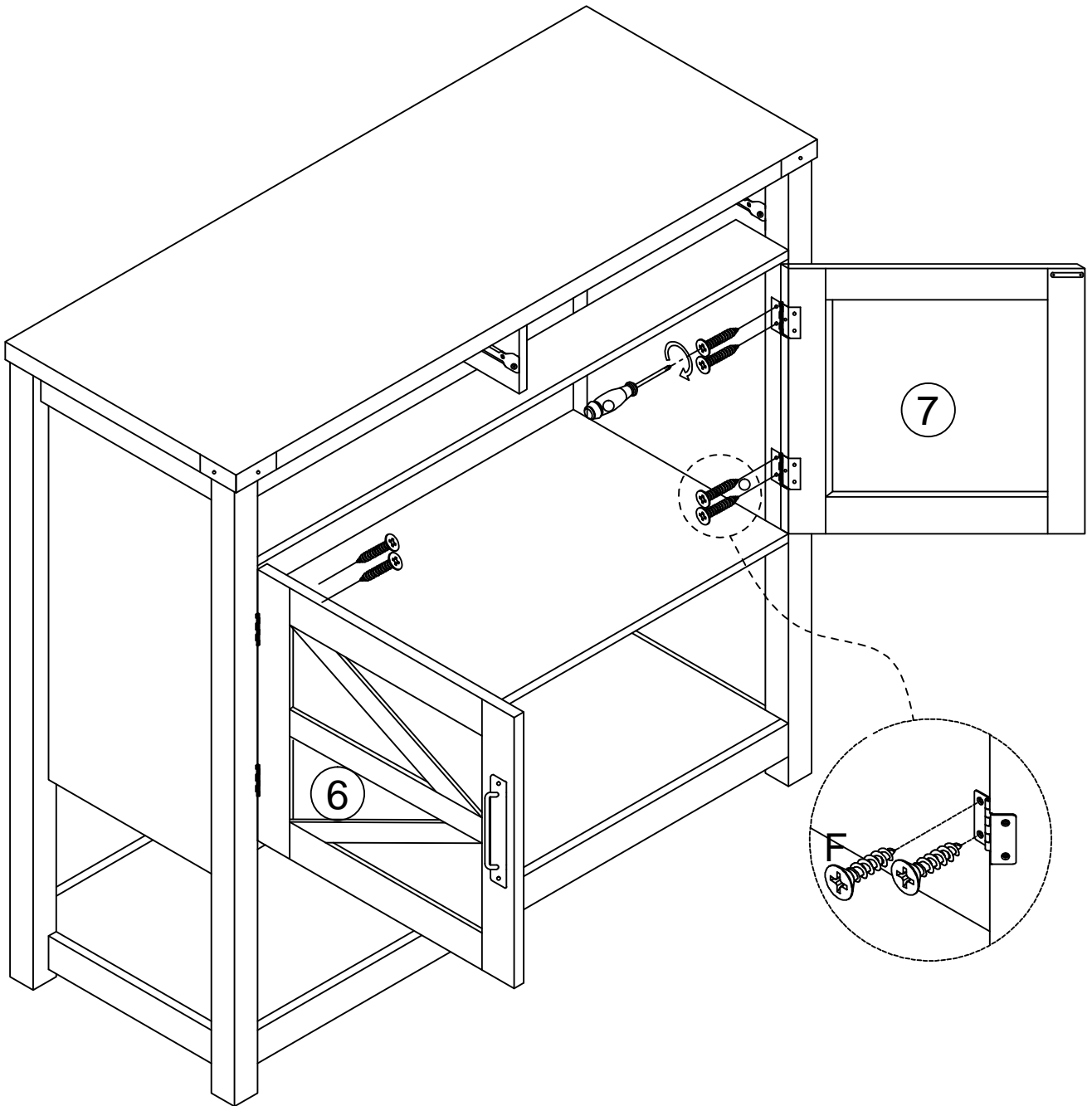
(J) x 2pcS

(F) x 4pcs

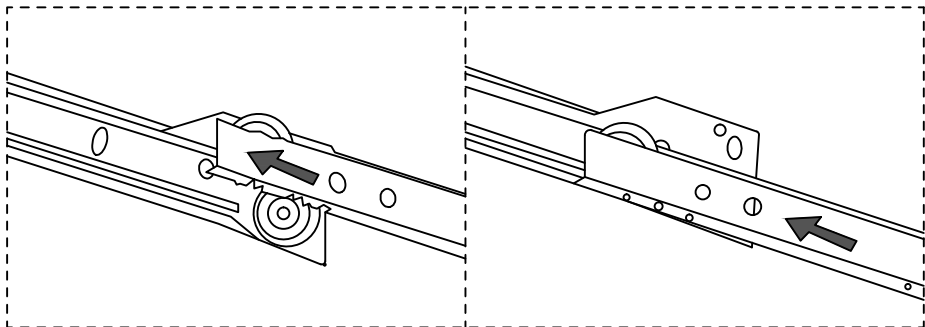
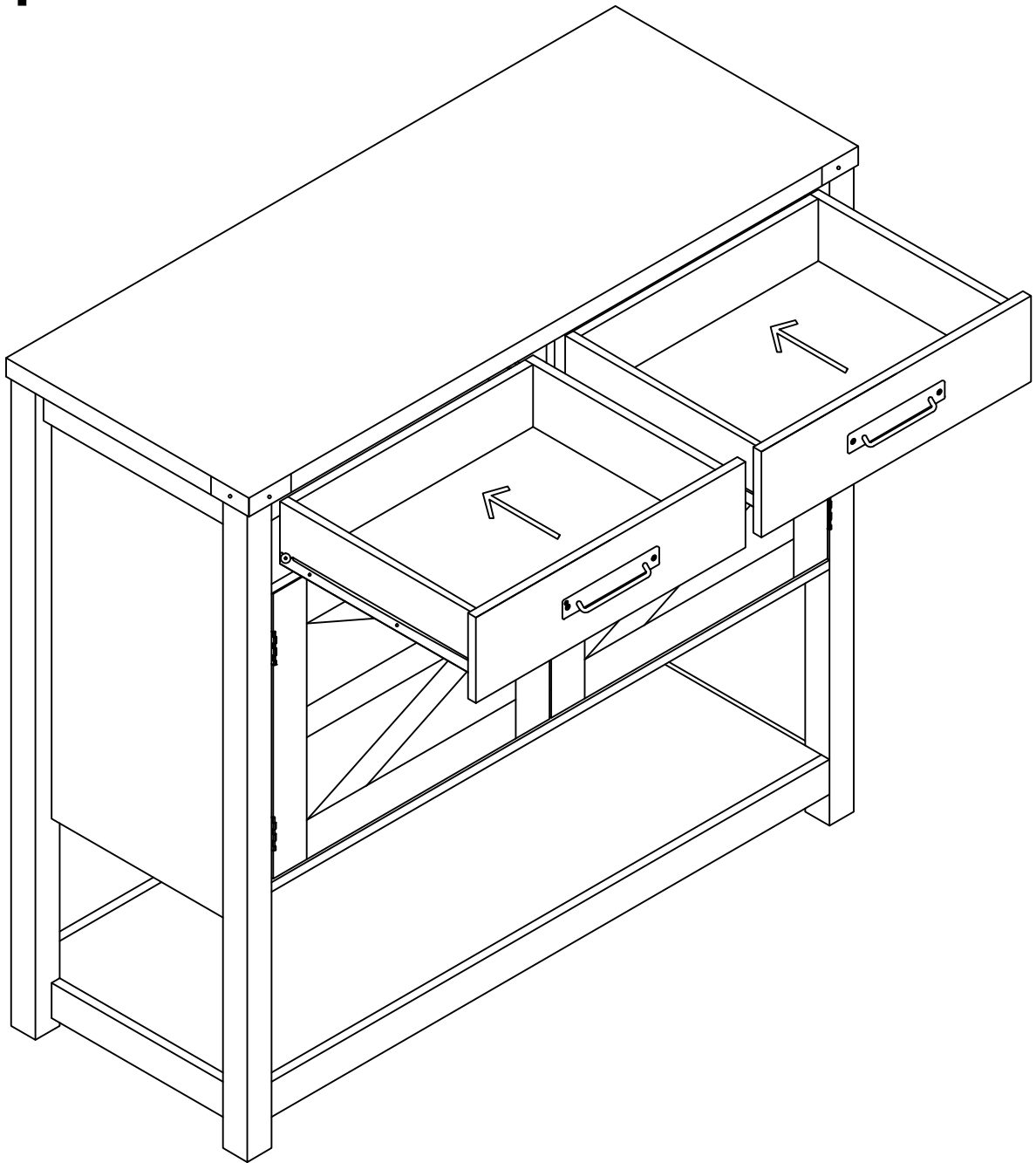


23

F x 8pcs



24



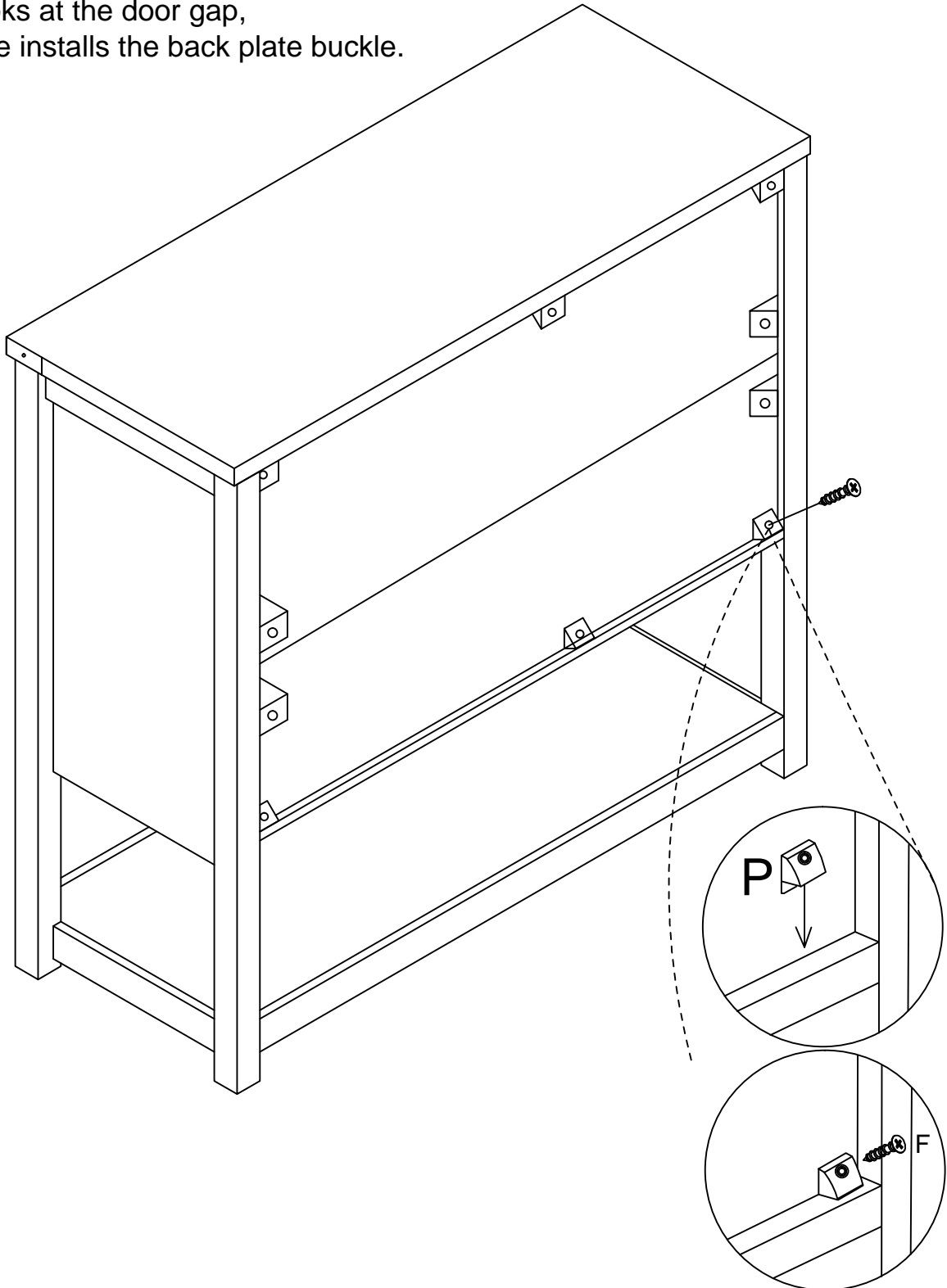
25

(P) x 10pcs

(F) x 10pcs



It is recommended that two people assemble together, one looks at the door gap, and one installs the back plate buckle.



26

