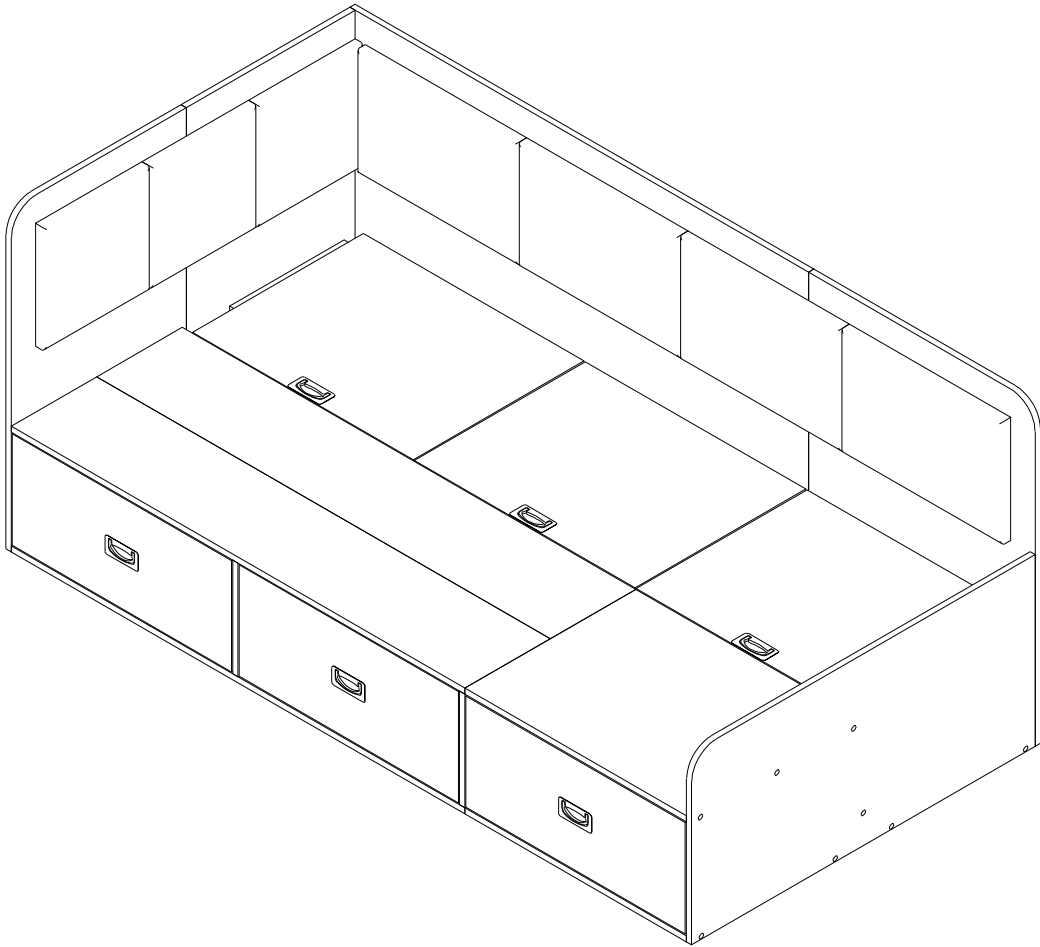
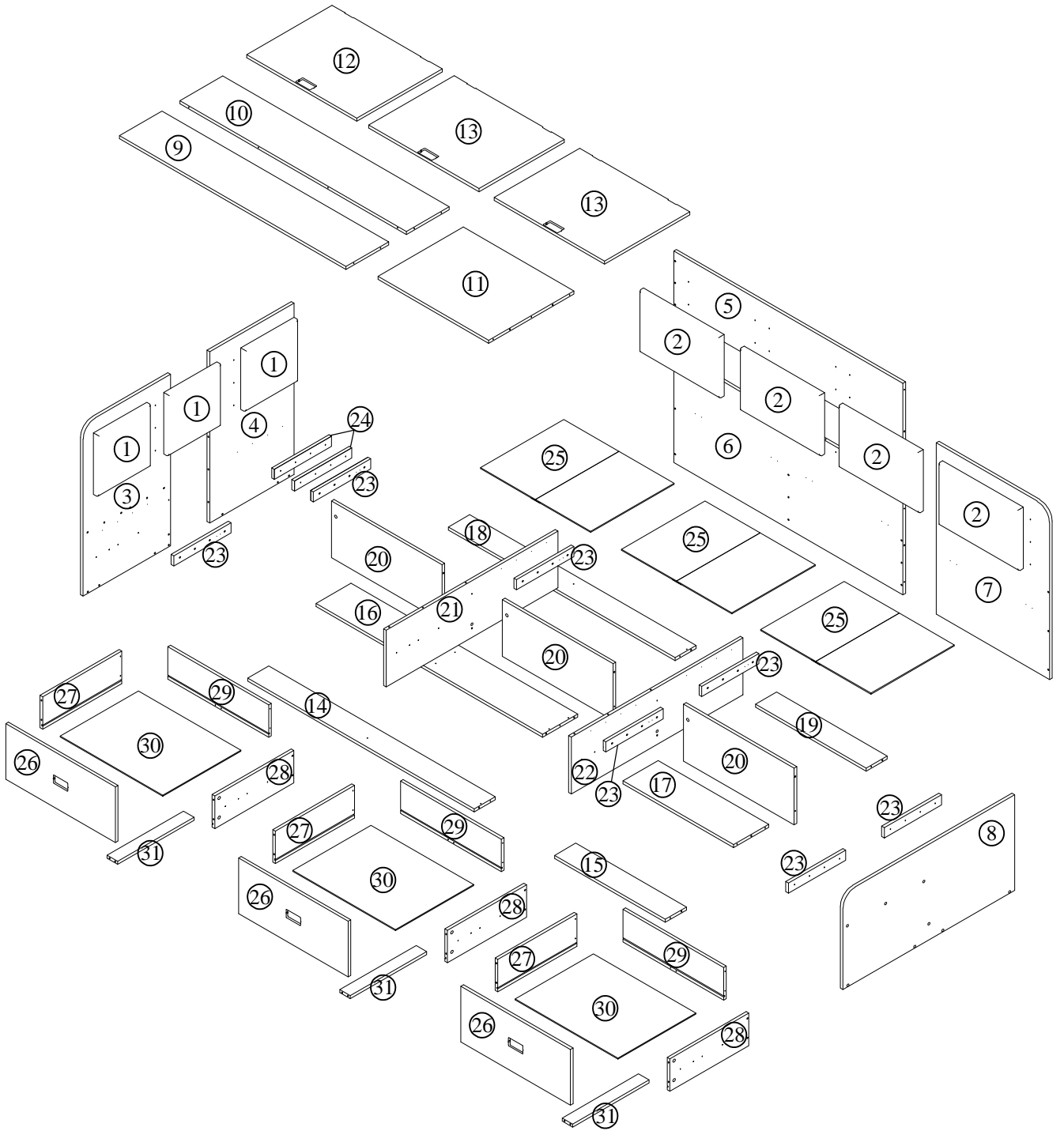


ASSEMBLY INSTRUCTION

SKU: N820P175222 / N820P175223 / N820P175224

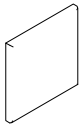
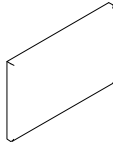
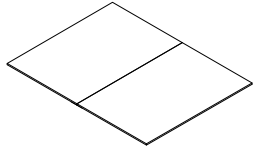
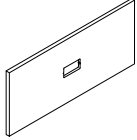
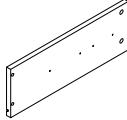
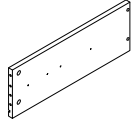
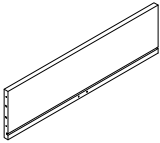
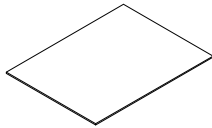
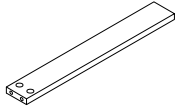
This set included 3 boxex if do not receive full 3 boxex.
Please contact our customer service team




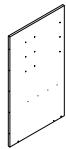
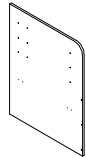
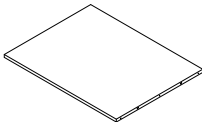
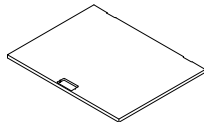
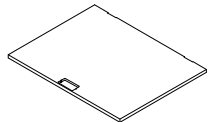
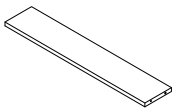
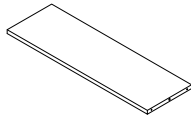
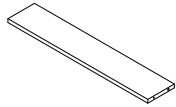
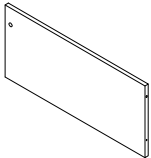


Part list:

BOX 1/3: N820P175222

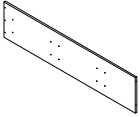
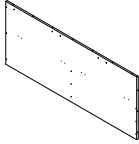
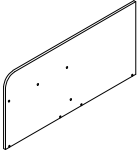
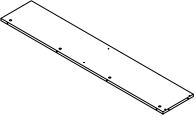
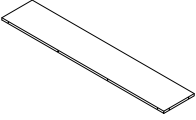
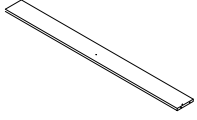
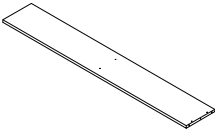
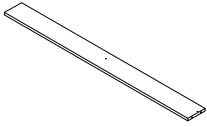
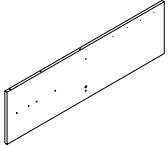
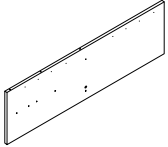
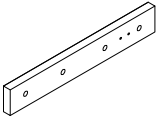
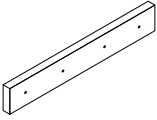
<p>1</p>  <p>Left Cushion - 3pcs</p>	<p>2</p>  <p>Right Cushion - 4pcs</p>	<p>25</p>  <p>Bottom Panel - 3pcs</p>
<p>26</p>  <p>Drawer Front Panel - 3pcs</p>	<p>27</p>  <p>Drawer Left Panel - 3pcs</p>	<p>28</p>  <p>Drawer Right Panel - 3pcs</p>
<p>29</p>  <p>Drawer Back Panel - 3pcs</p>	<p>30</p>  <p>Drawer Bottom Panel - 3pcs</p>	<p>31</p>  <p>Drawer Stretcher - 3pcs</p>

BOX 2/3: N820P175223

<p>3</p>  <p>Headboard Panel 1 - 1pc</p>	<p>4</p>  <p>Headboard Panel 2 - 1pc</p>	<p>7</p>  <p>Rail Panel 3 - 1pc</p>
<p>11</p>  <p>Above Panel 3 - 1pc</p>	<p>12</p>  <p>Left Flip Door - 1pc</p>	<p>13</p>  <p>Right Flip Door - 2pcs</p>
<p>15</p>  <p>Left Sketcher 2 - 1pc</p>	<p>17</p>  <p>Mid Sketcher 2 - 1pc</p>	<p>19</p>  <p>Right Sketcher 2 - 1pc</p>
<p>20</p>  <p>Partition Panel 3 - 3pcs</p>		

Part list:





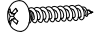
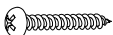



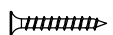
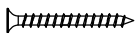


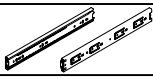
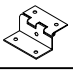

BOX 3/3: N820P175224

<p>5</p>  <p>Rail Panel 1 - 1pc</p>	<p>6</p>  <p>Rail Panel 2 - 1pc</p>	<p>8</p>  <p>Footboard Panel- 1pc</p>
<p>9</p>  <p>Above Panel 1 - 1pc</p>	<p>10</p>  <p>Above Panel 2 - 1pc</p>	<p>14</p>  <p>Left Sketcher 1 - 1pc</p>
<p>16</p>  <p>Mid Sketcher 1 - 1pc</p>	<p>18</p>  <p>Right Sketcher 1 - 1pc</p>	<p>21</p>  <p>Partition Panel 1 - 1pc</p>
<p>22</p>  <p>Partition Panel 2 - 1pc</p>	<p>23</p>  <p>Support Strip 1 - 7pcs</p>	<p>24</p>  <p>Support Strip 2 - 2pcs</p>

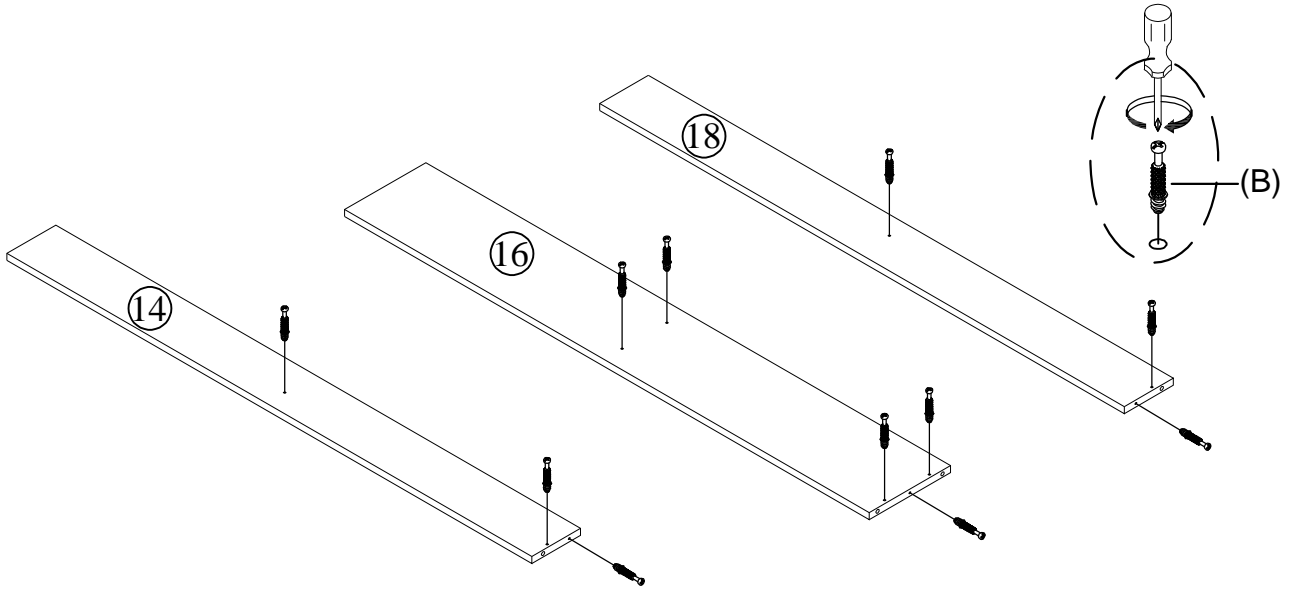
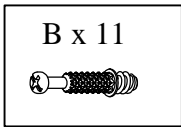
HARDWARE

Check that you've received
all hardware listed below.

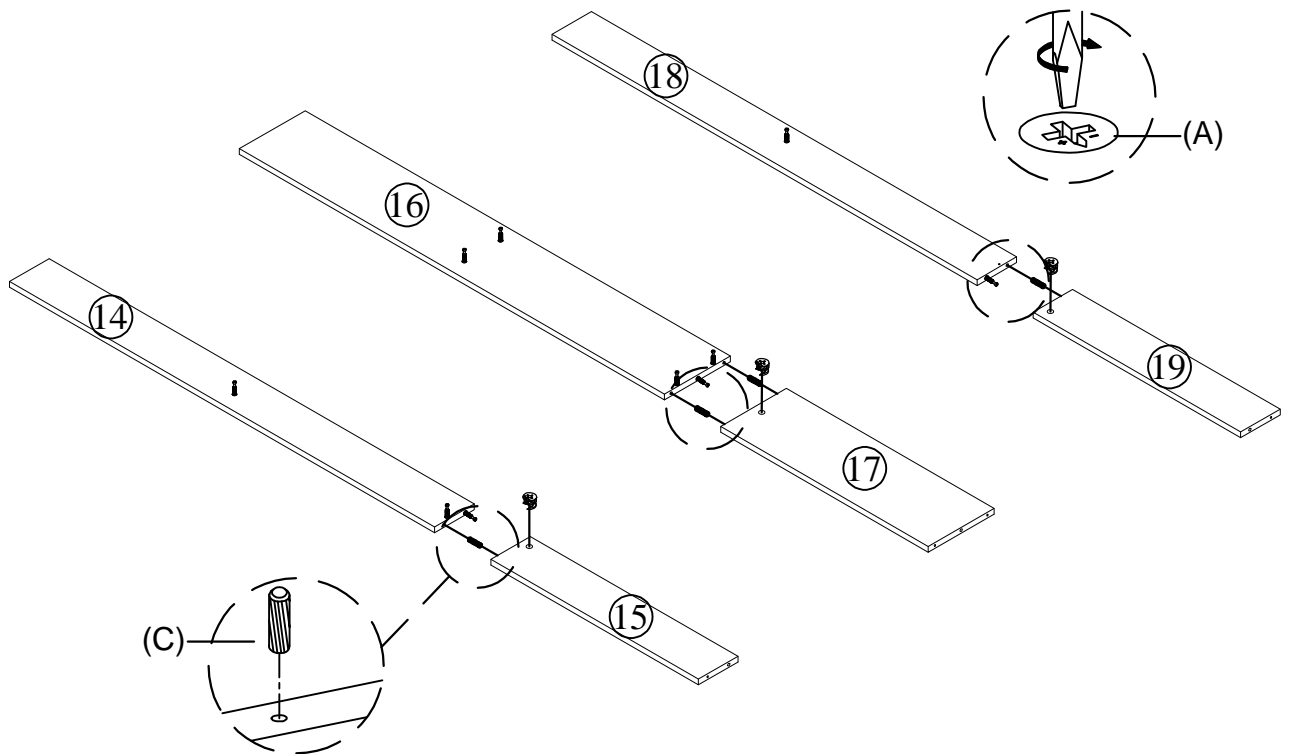
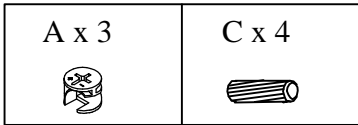
Hardware List : N820P175222

No.	OUTLOOK	DESC	QTY
(A)		Cam Lock	56
(B)		Cam Bolt	56
(C)		Wood Dowel Ø8 x 30mm	56
(D)		Screw M3.5 x 9mm	48
(E)		Screw M3.5 x 12mm	12
(F)		Screw M4 x 20mm	66
(G)		Screw M4 x 50mm	4
(H)		Bolt Screw Ø1/4 x 45mm	28
(I)		Allen Key 4mm	1
(J)		Flat Head Screw M4 x 12mm	30
(K)		Flat Head Screw M4 x 35mm	18
(L)		Bolt with Screw Head 5/32" x 8mm	12
(M)		Handle	6
(N)		14" Ball Bearing Slides	3 set
(O)		Hinge	6
(P)		Hinge	3

STEP 1

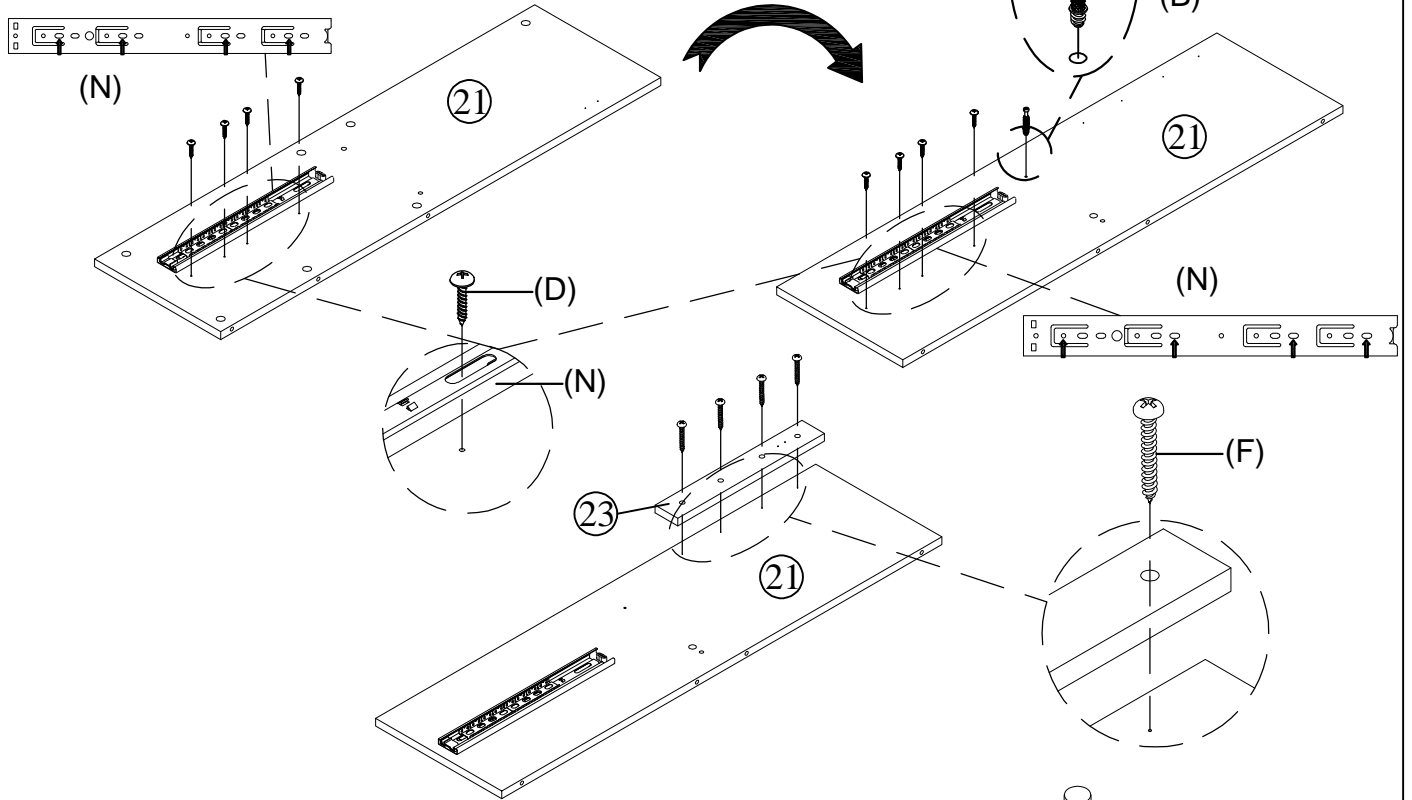


STEP 2



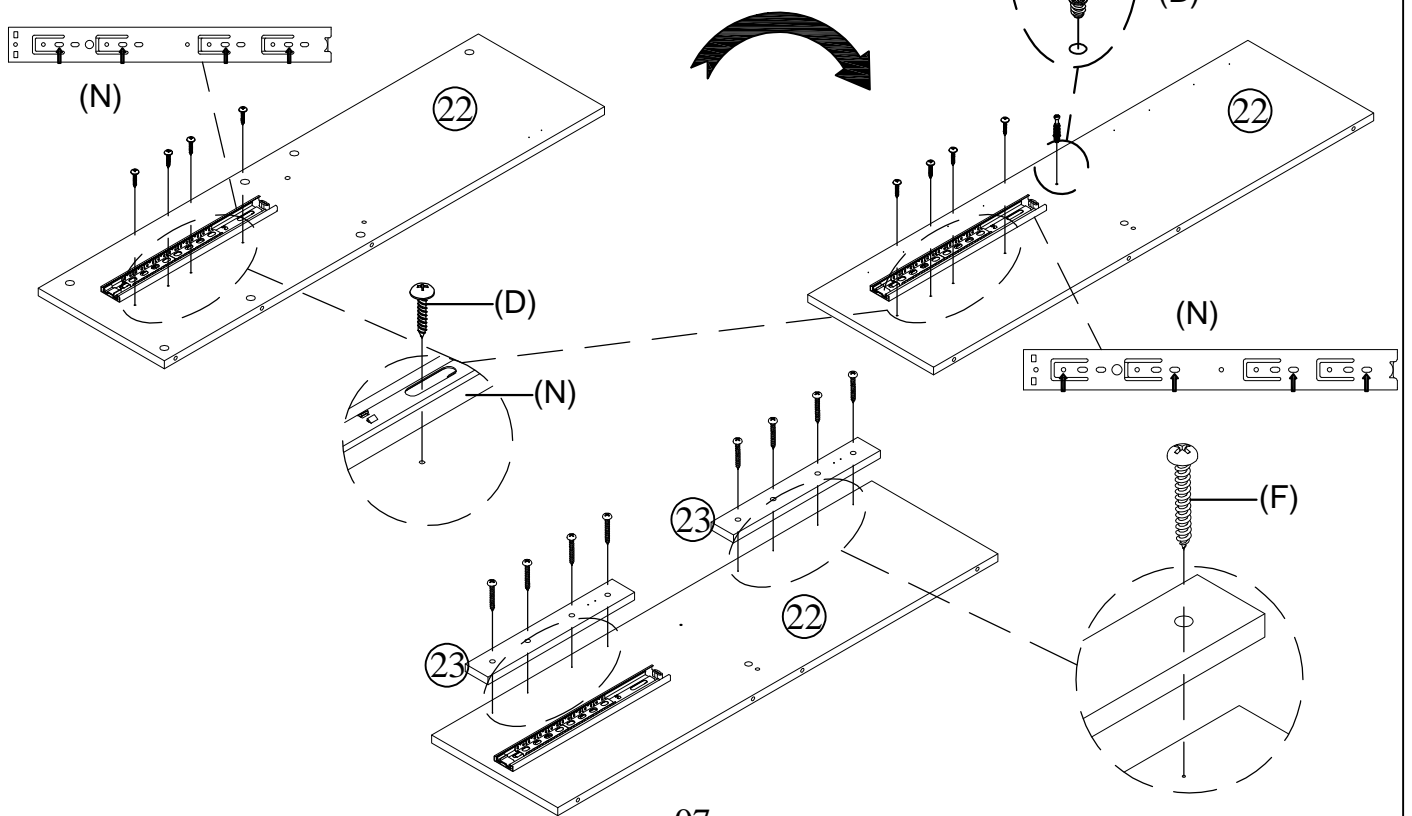
STEP 3

B x 1	D x 8	F x 4
-------	-------	-------







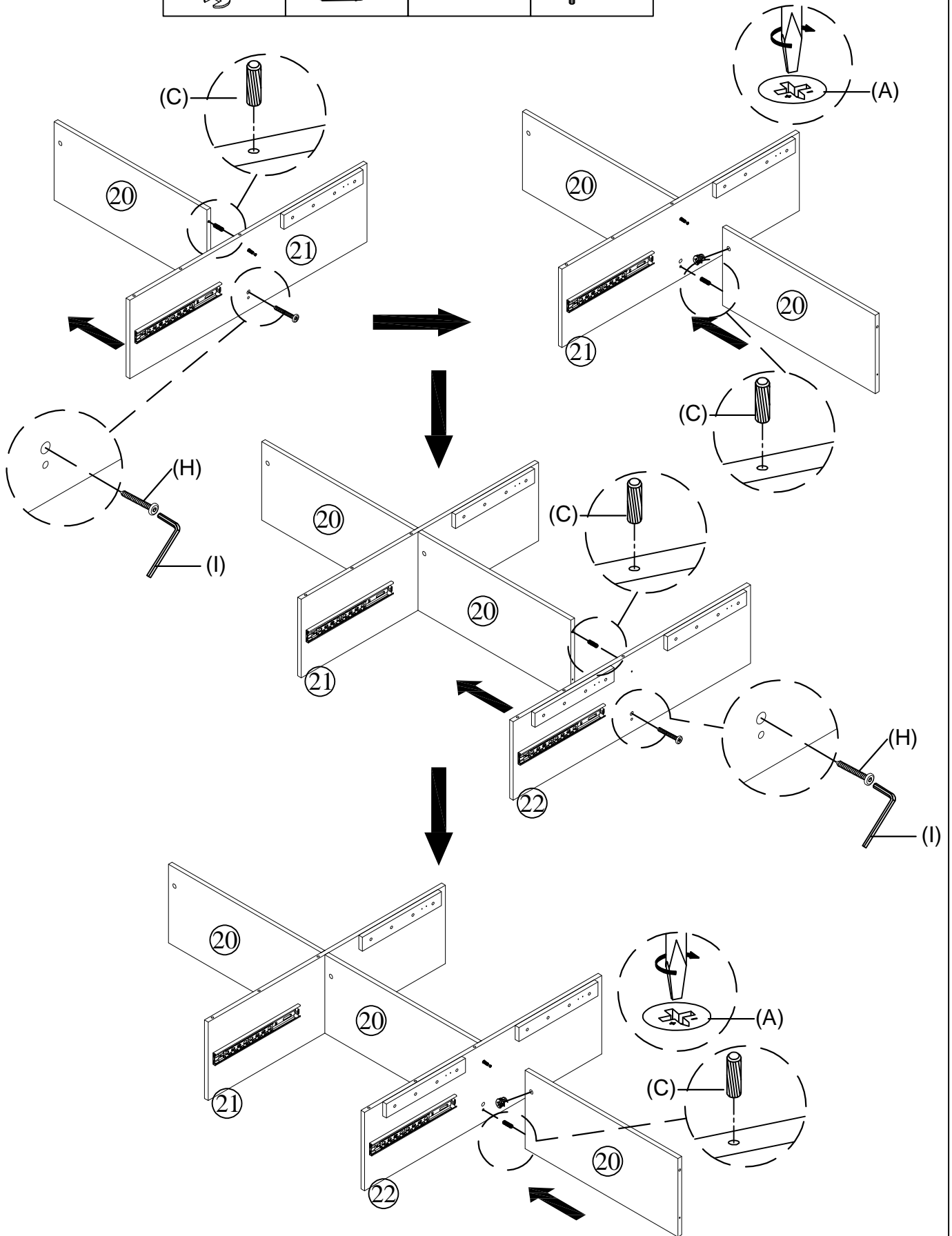
STEP 4

B x 1	D x 8	F x 8
-------	-------	-------

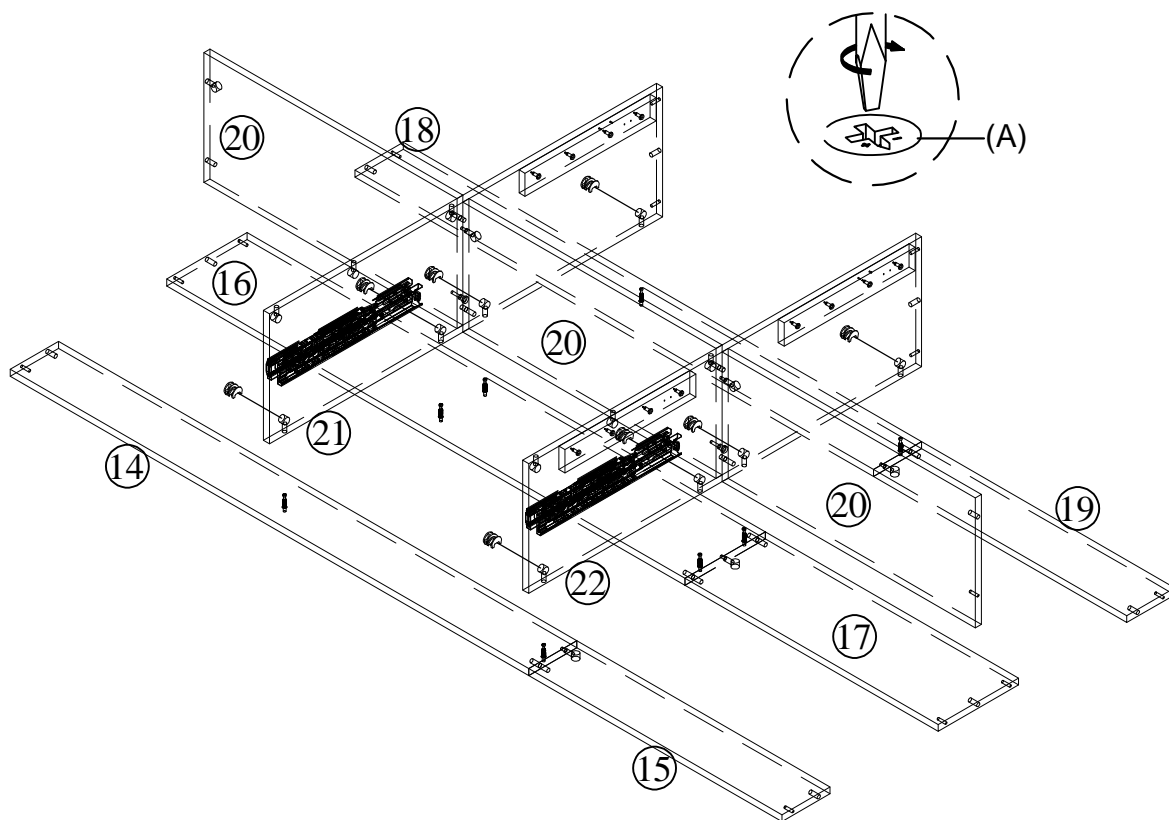
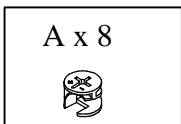


STEP 5

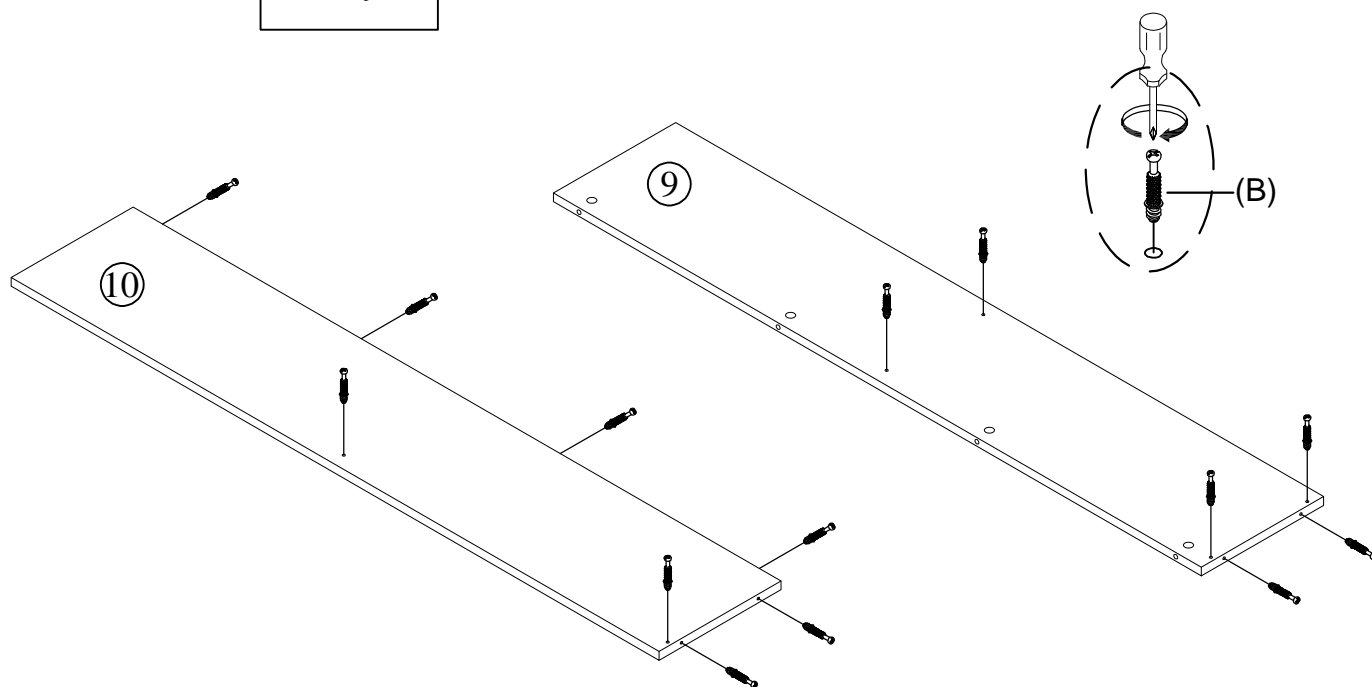
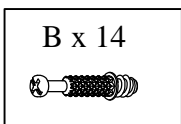
A x 2 	C x 4 	H x 2 	I x 1 
--	--	--	---



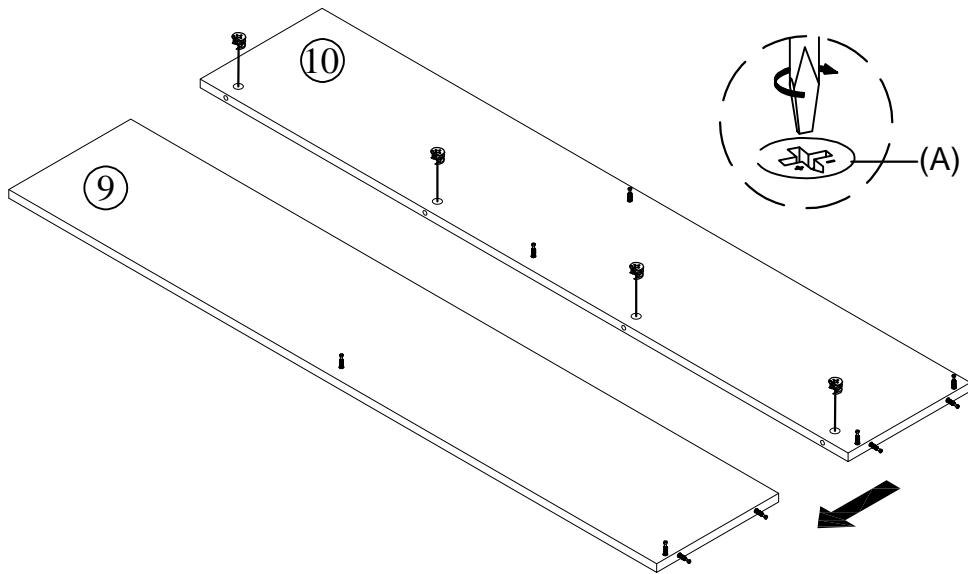
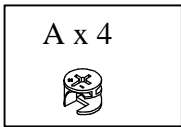
STEP 6



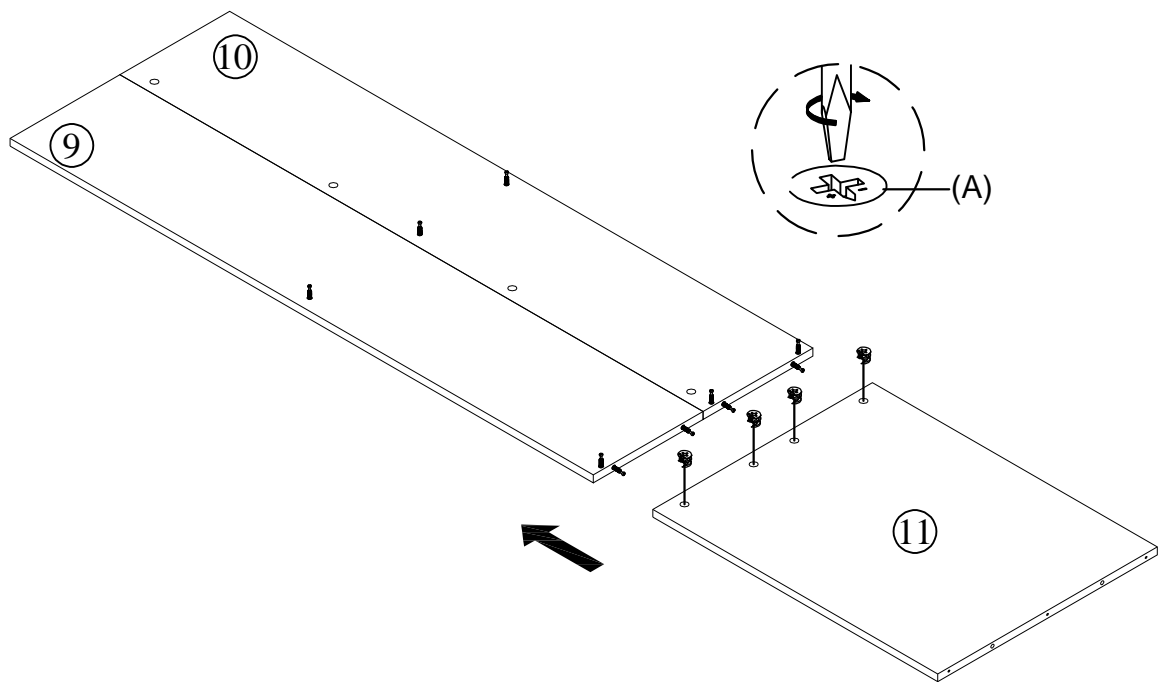
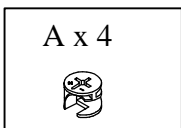
STEP 7



STEP 8

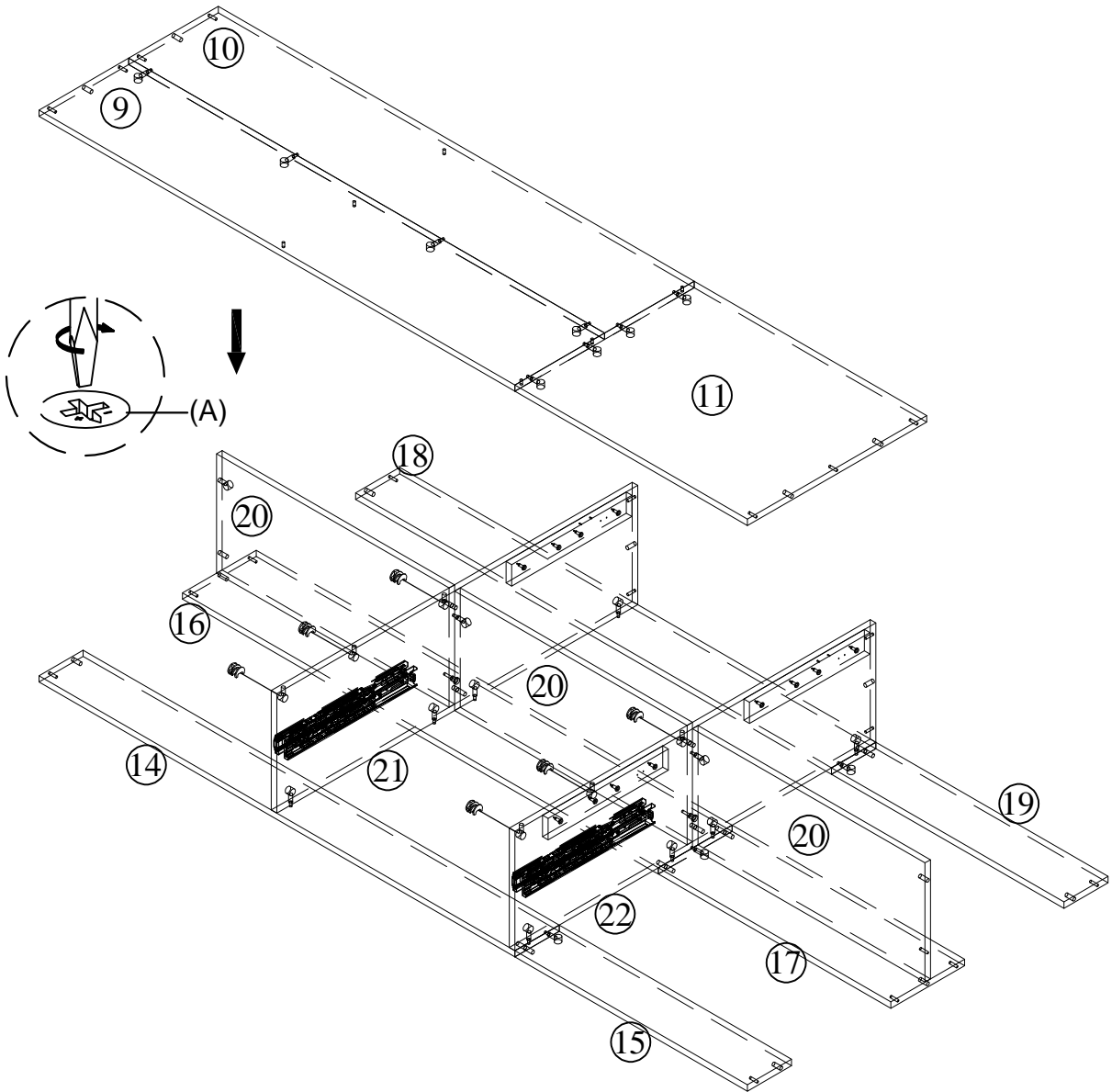


STEP 9






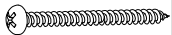


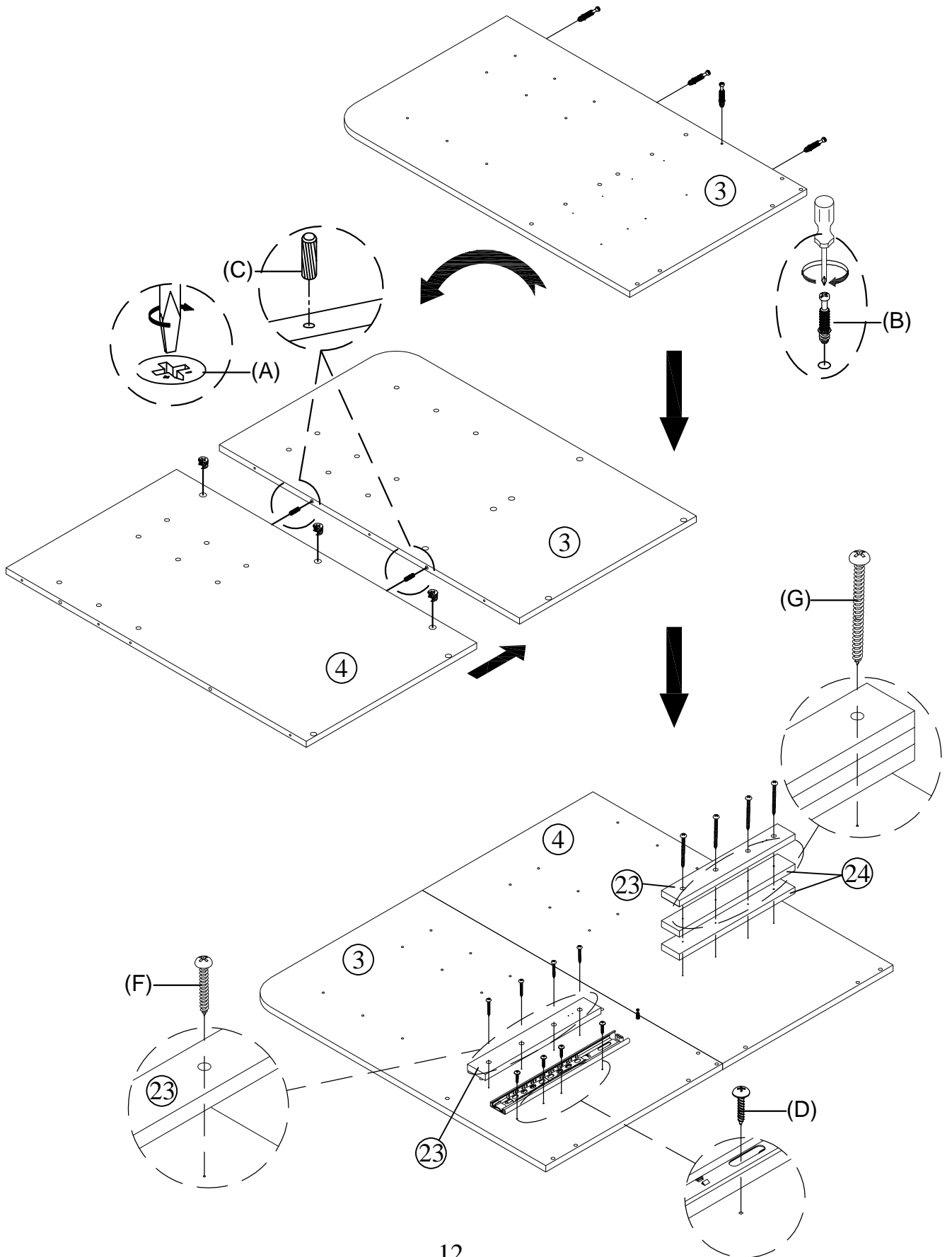
STEP 10

A x 6






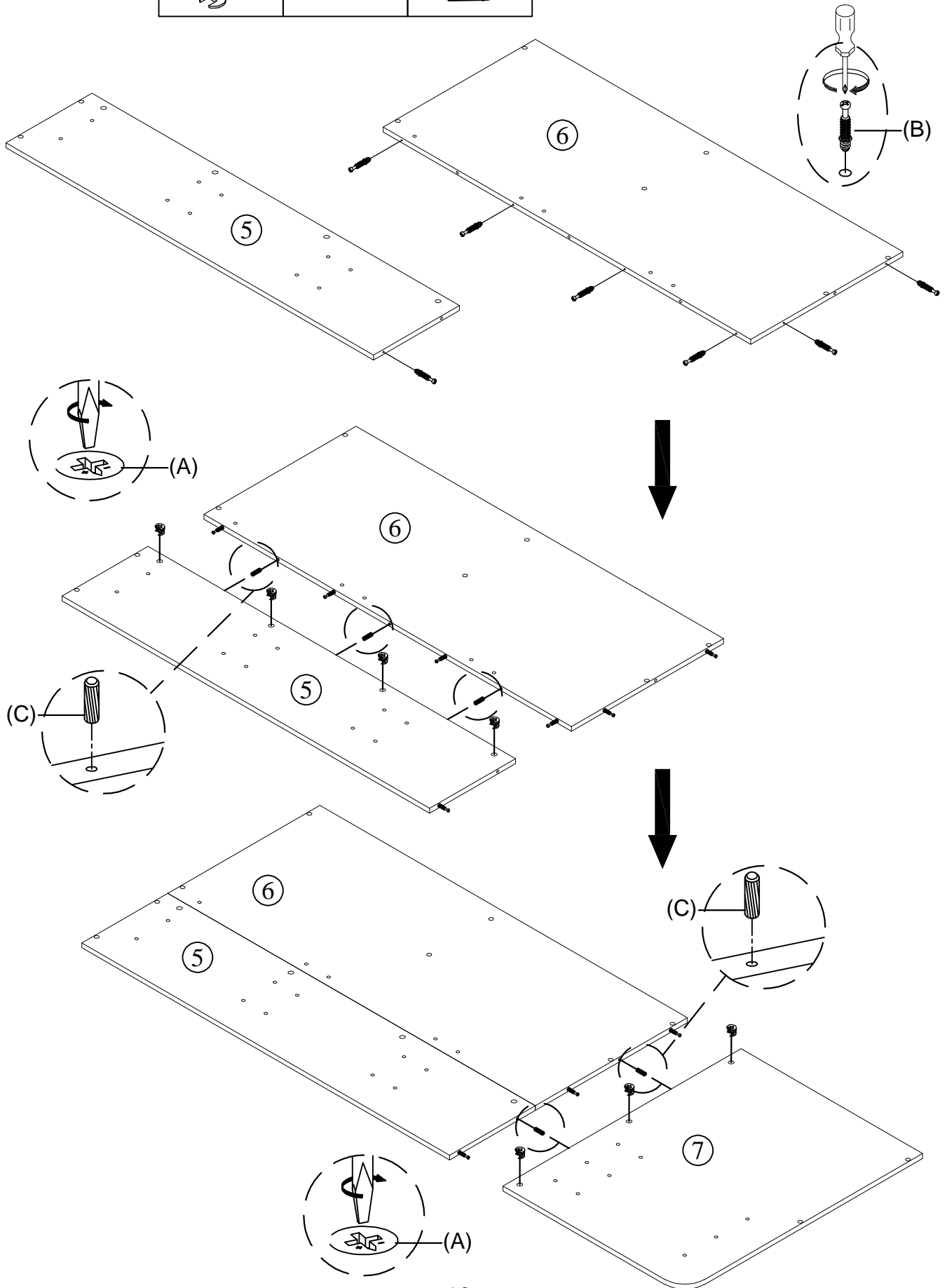
STEP 11

A x 3 	B x 4 	C x 2 	D x 4 	F x 4 	G x 4 
--	--	--	---	--	--




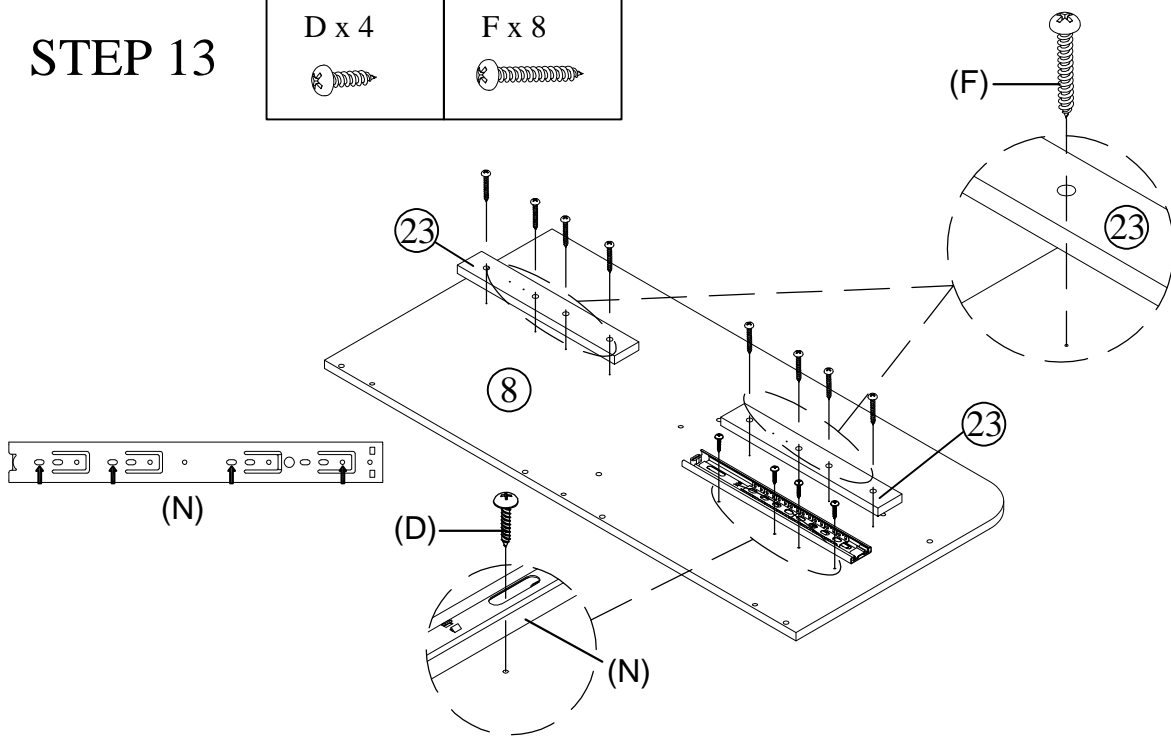
STEP 12

A x 7 	B x 7 	C x 5 
--	--	--







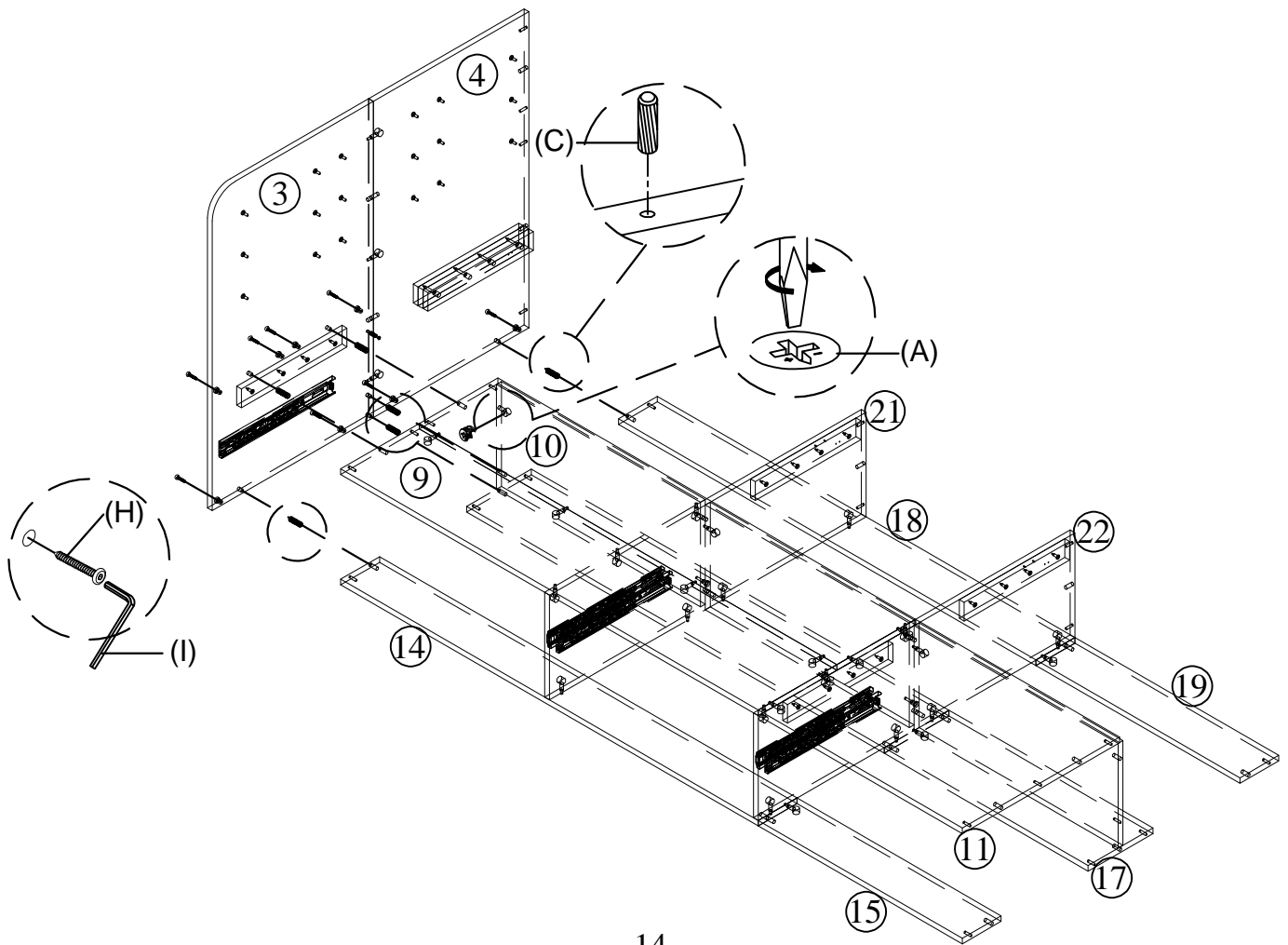
STEP 13

D x 4	F x 8
	






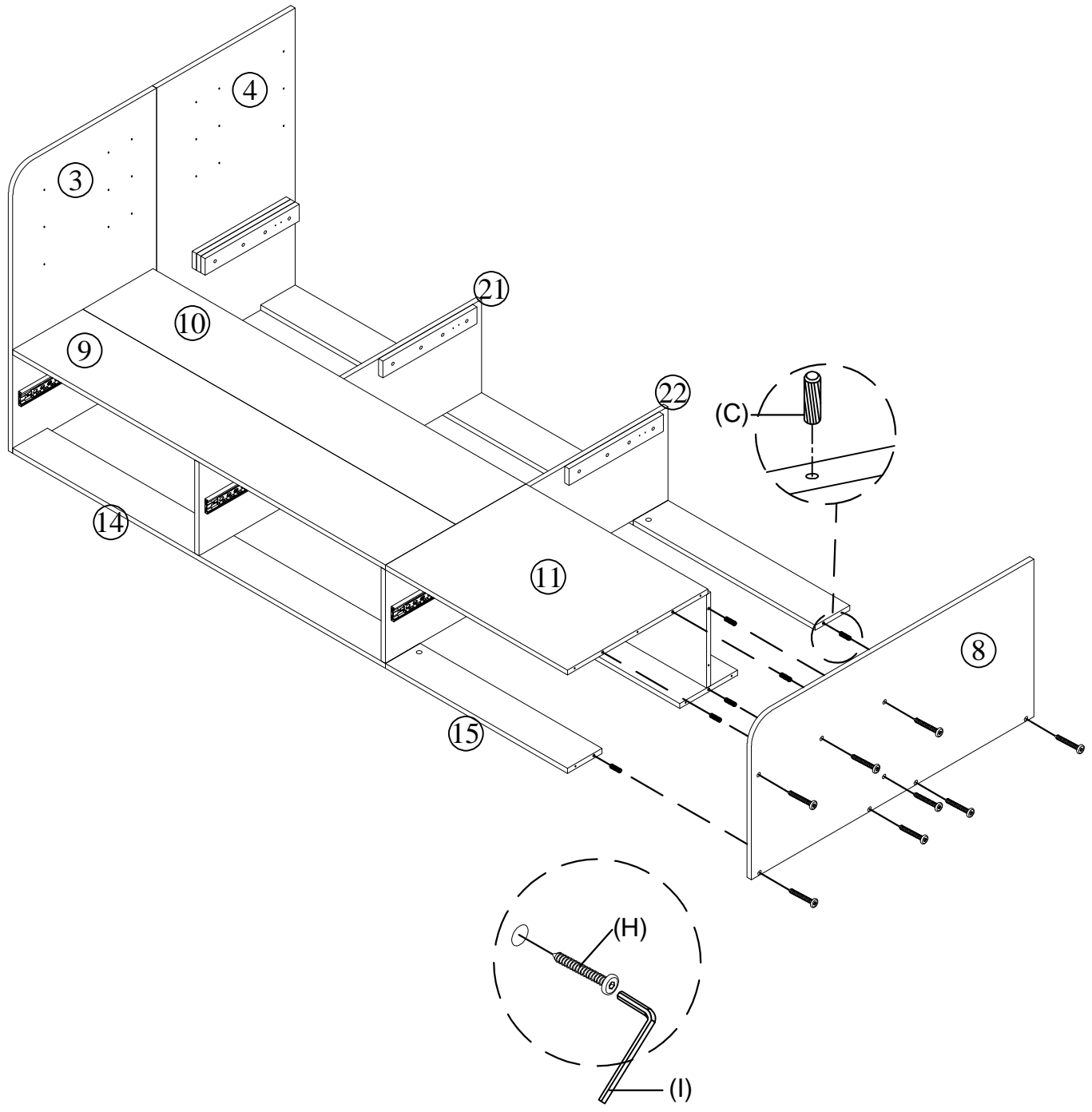
STEP 14

A x 1	C x 6	H x 8	I x 1
			






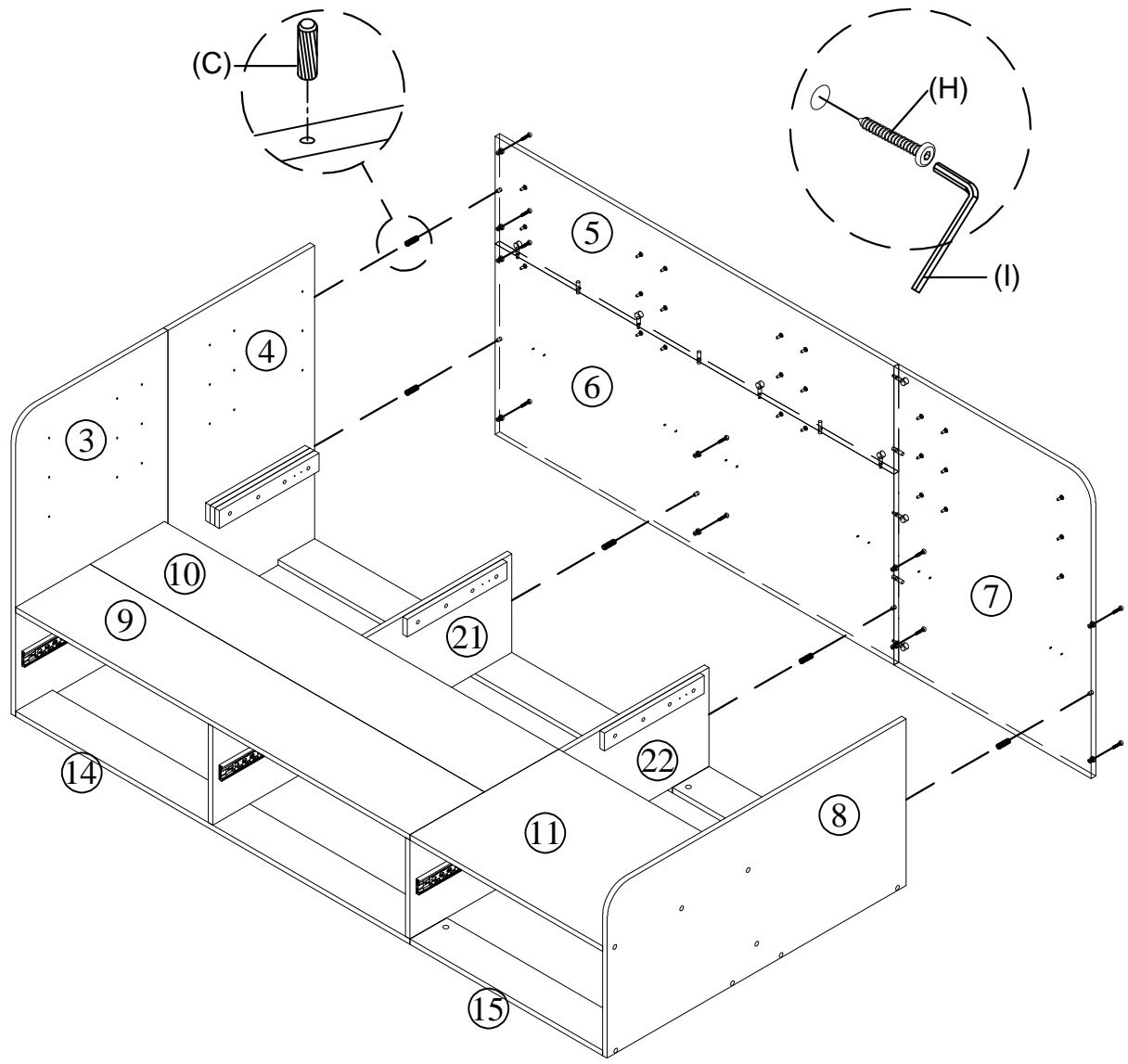
STEP 15

C x 6 	H x 8 	I x 1 
--	--	--

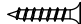
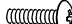

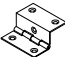


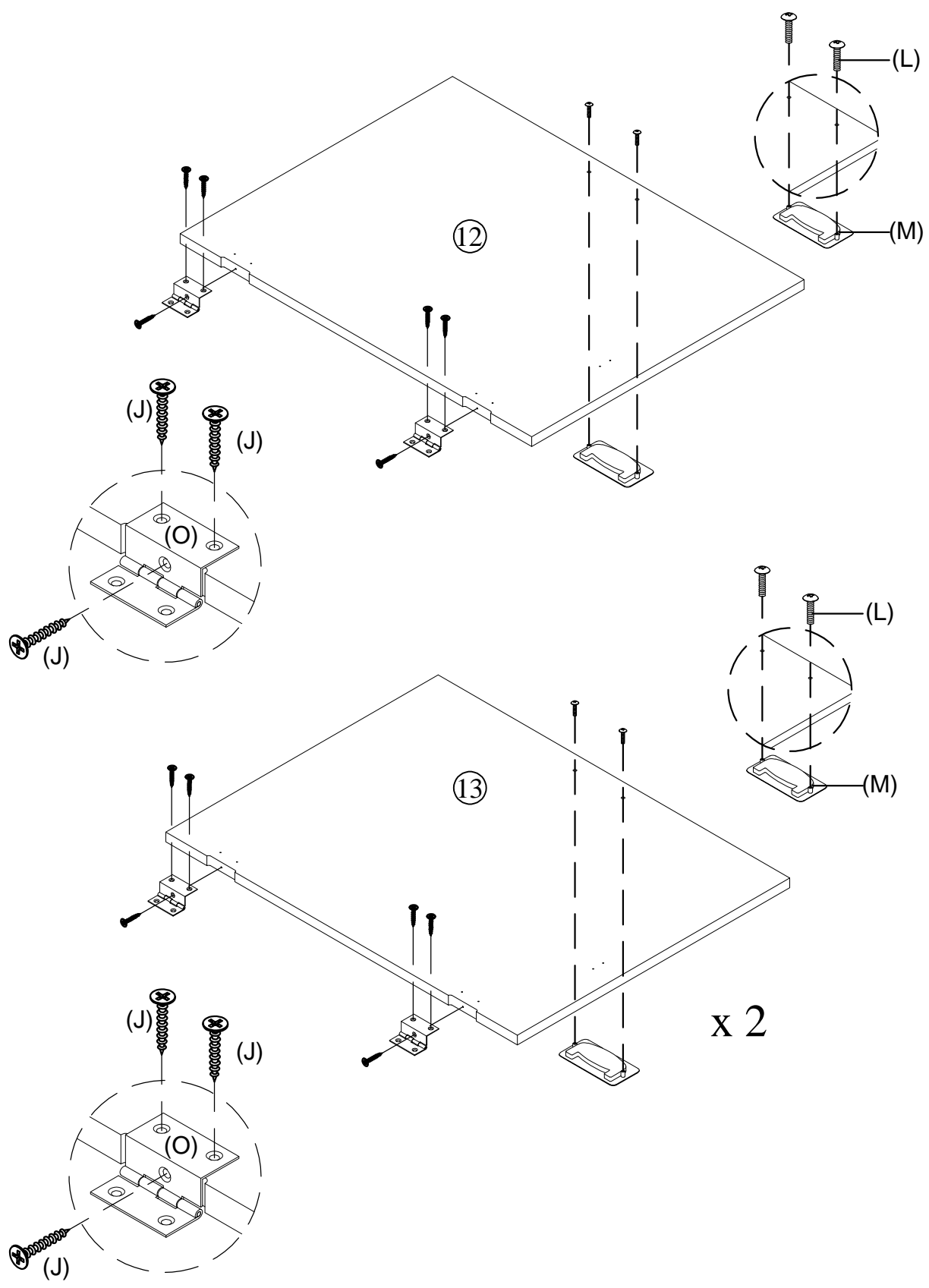
STEP 16

C x 5 	H x 10 	I x 1 
--	---	--


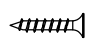
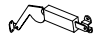


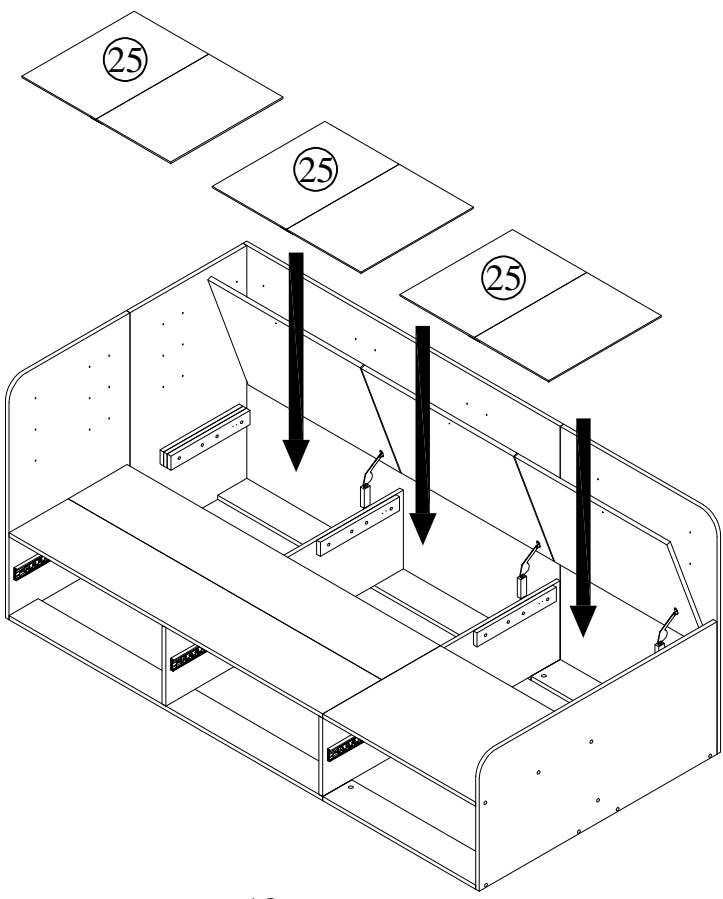
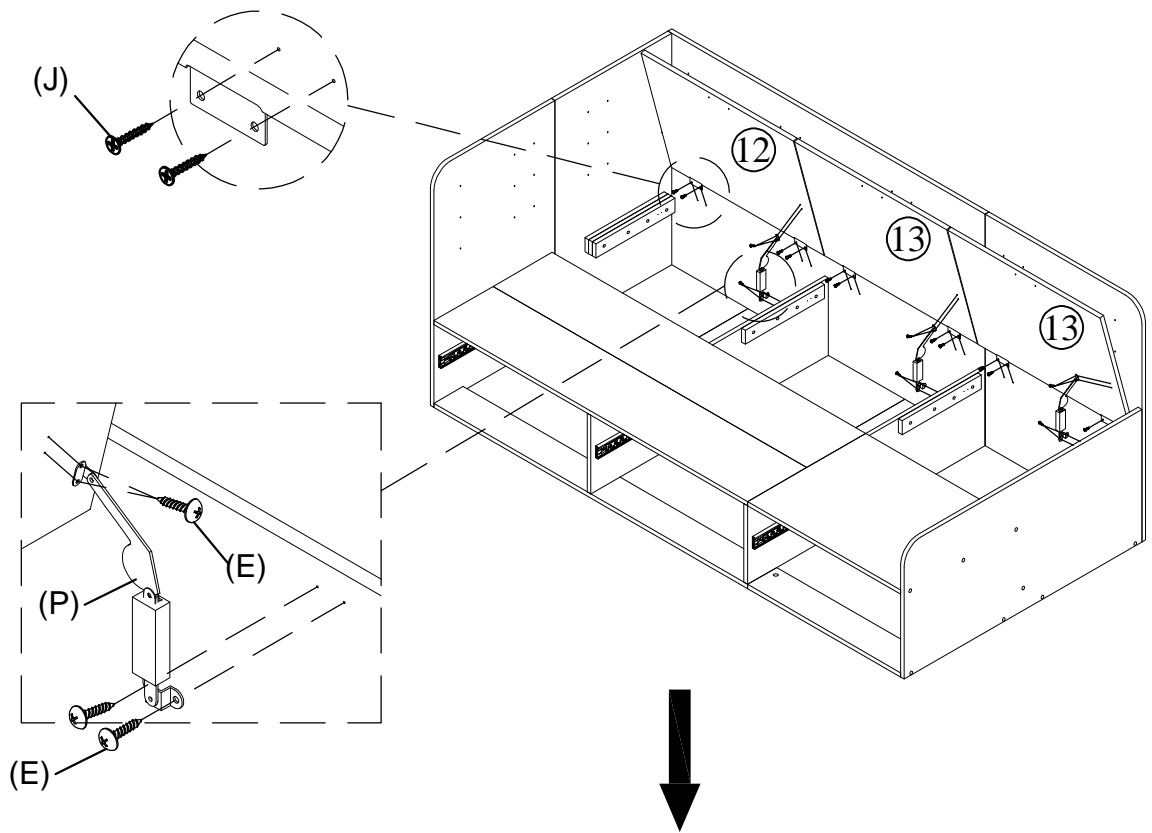
STEP 17

J x 18 	L x 6 	M x 3 	O x 6 
---	--	--	---



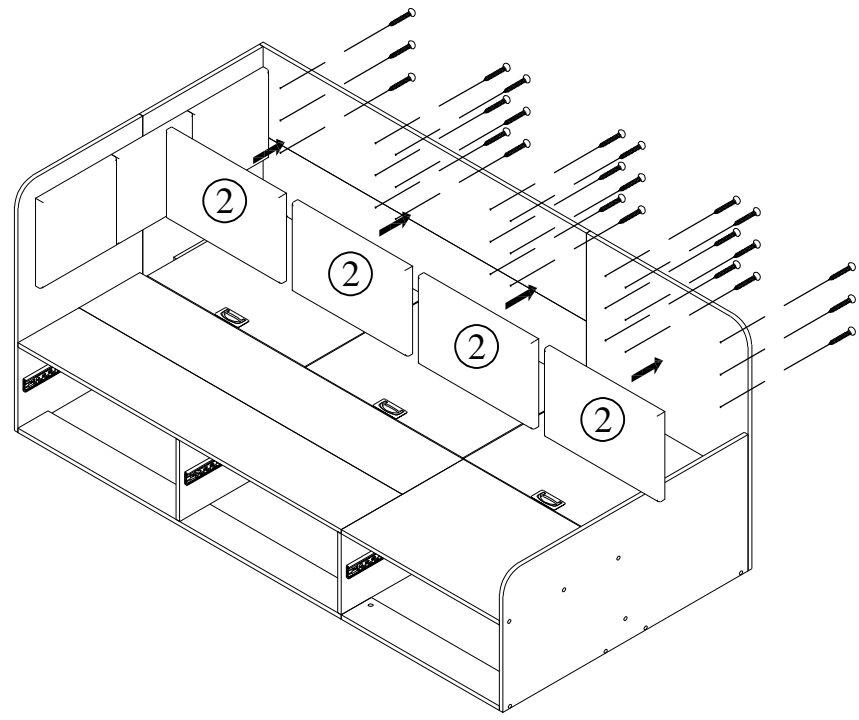
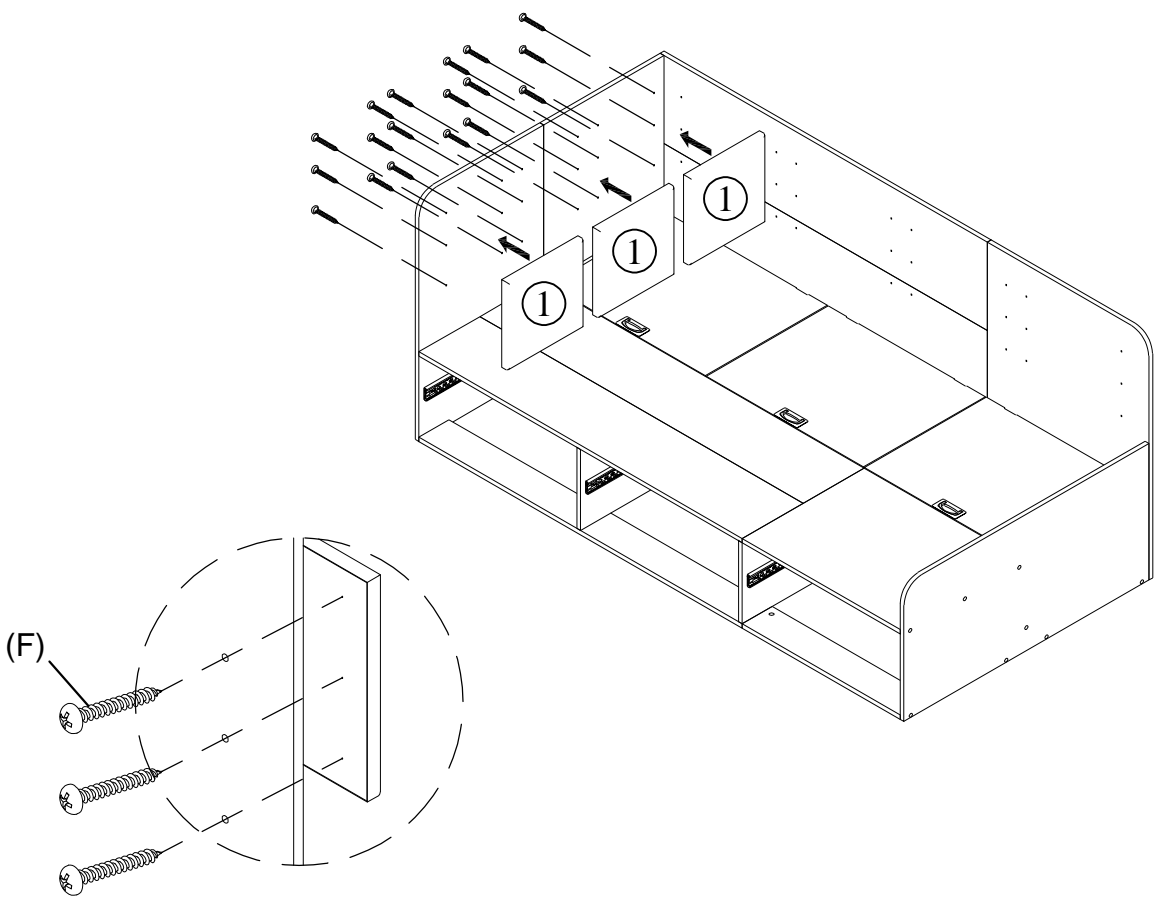

STEP 18

E x 12 	J x 12 	P x 3 
---	---	--





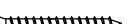


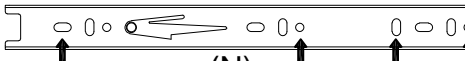


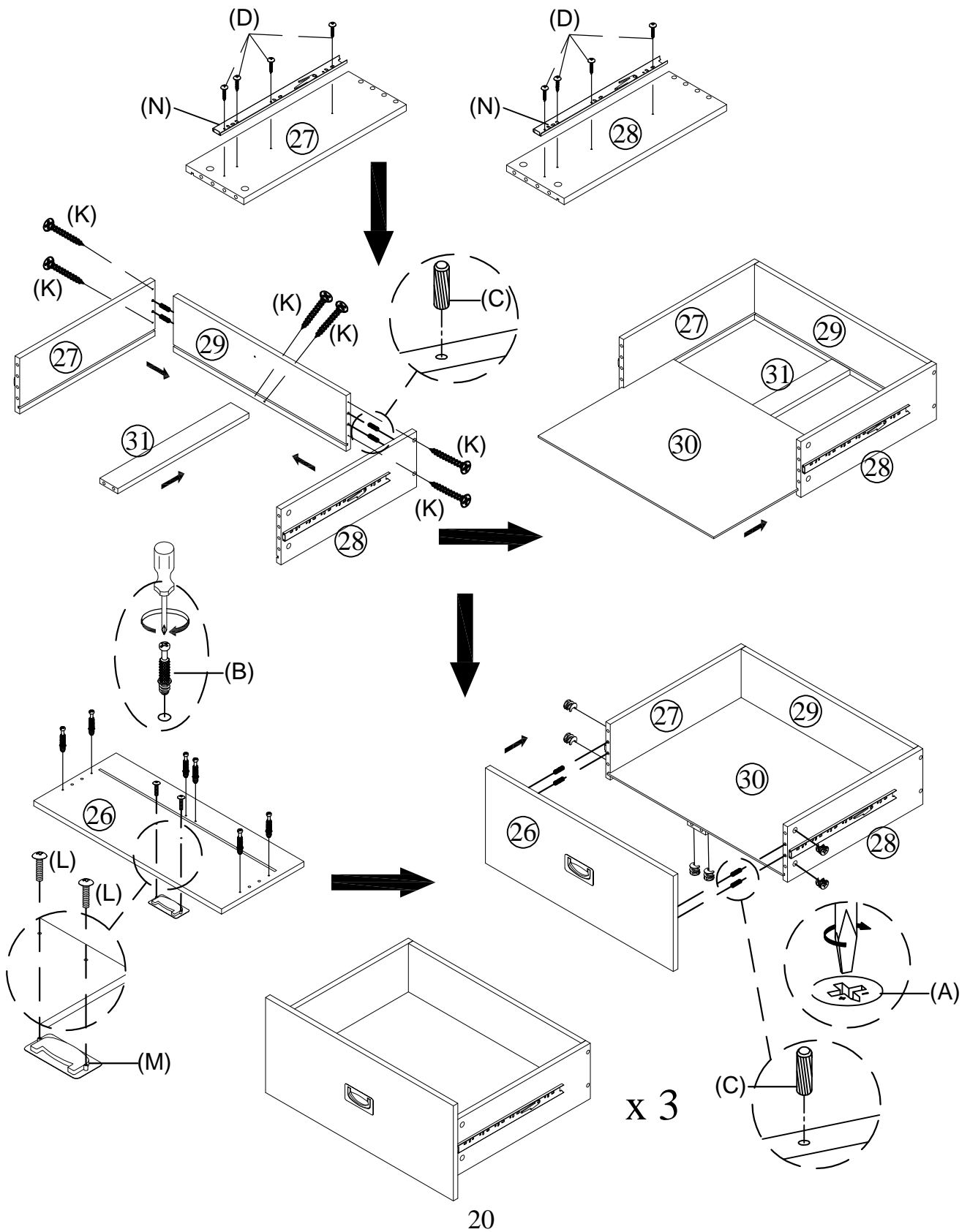
STEP 19

F x 42



STEP 20

A x 18 	B x 18 	C x 24 	D x 24 	K x 18 
L x 6 	M x 3 	 (N)		



STEP 21

