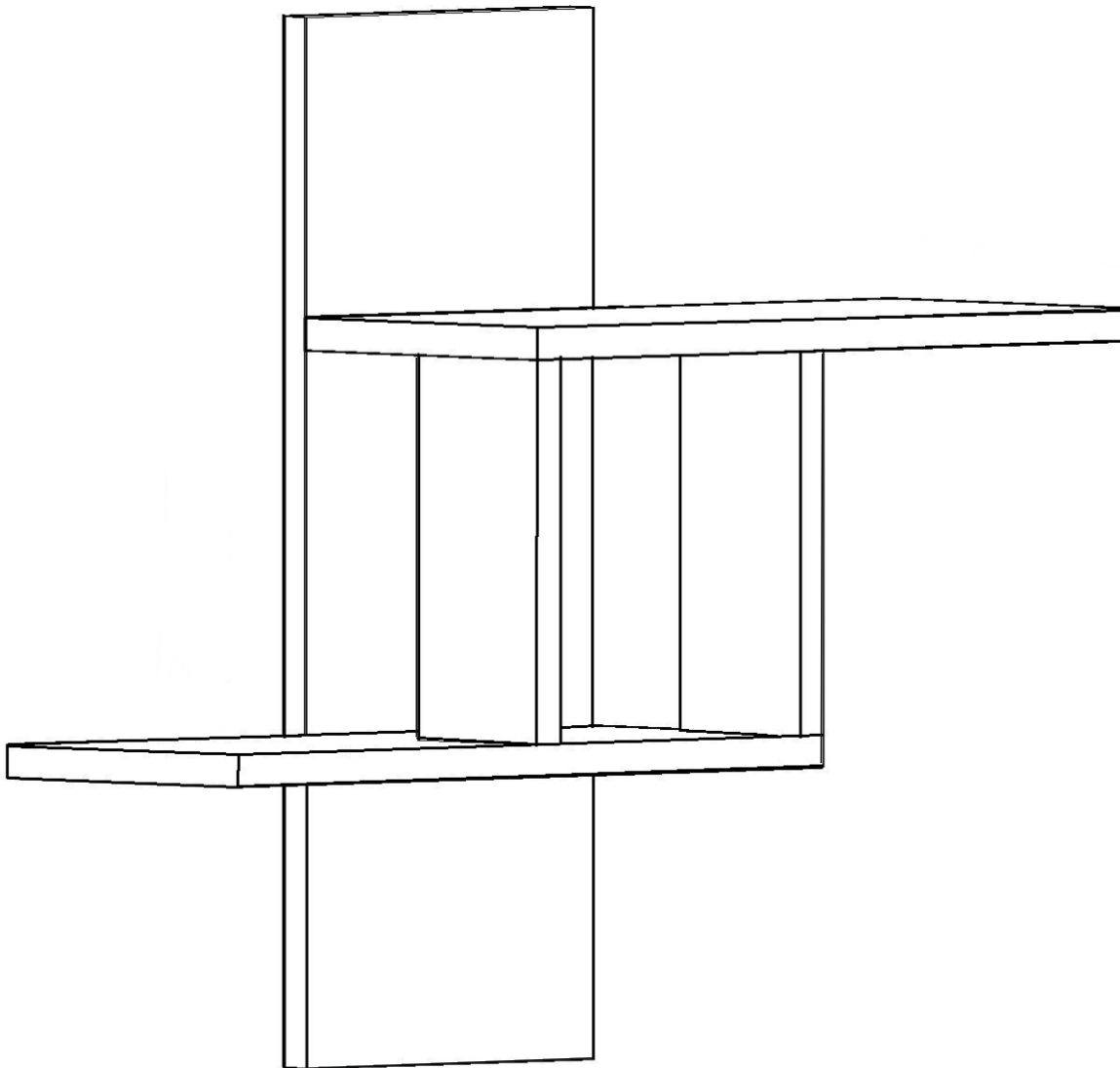

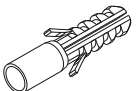
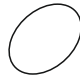


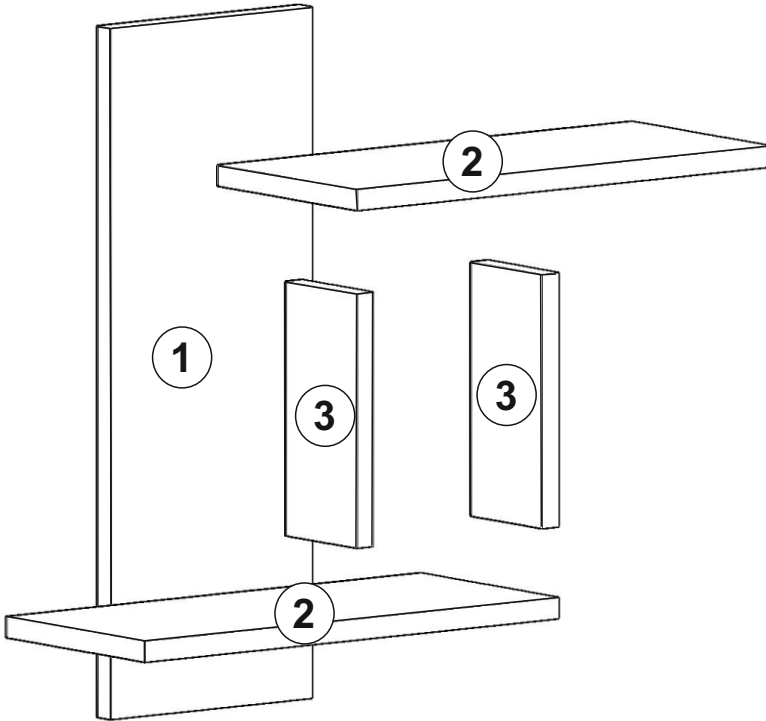
WALL SHELF / ASSEMBLY MANUAL



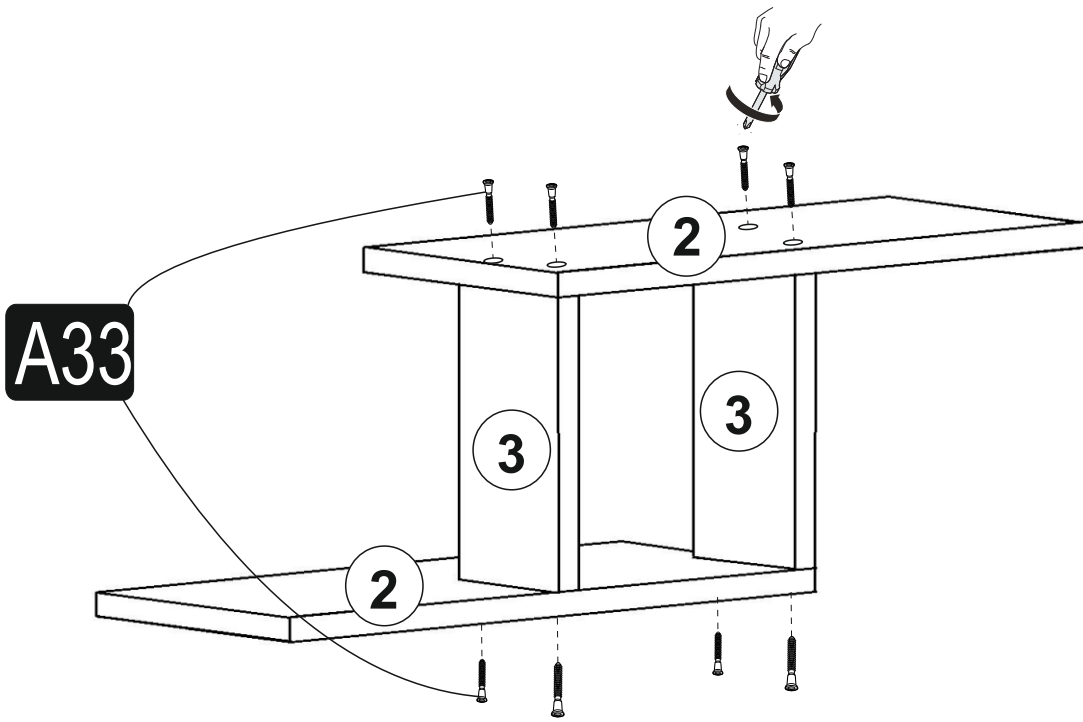
AKSESUAR LİSTESİ / ACCESSORY LIST

A33  16x	4x50 A16  4x	Ø8 A15  16x	beyaz tapa
---	--	---	------------

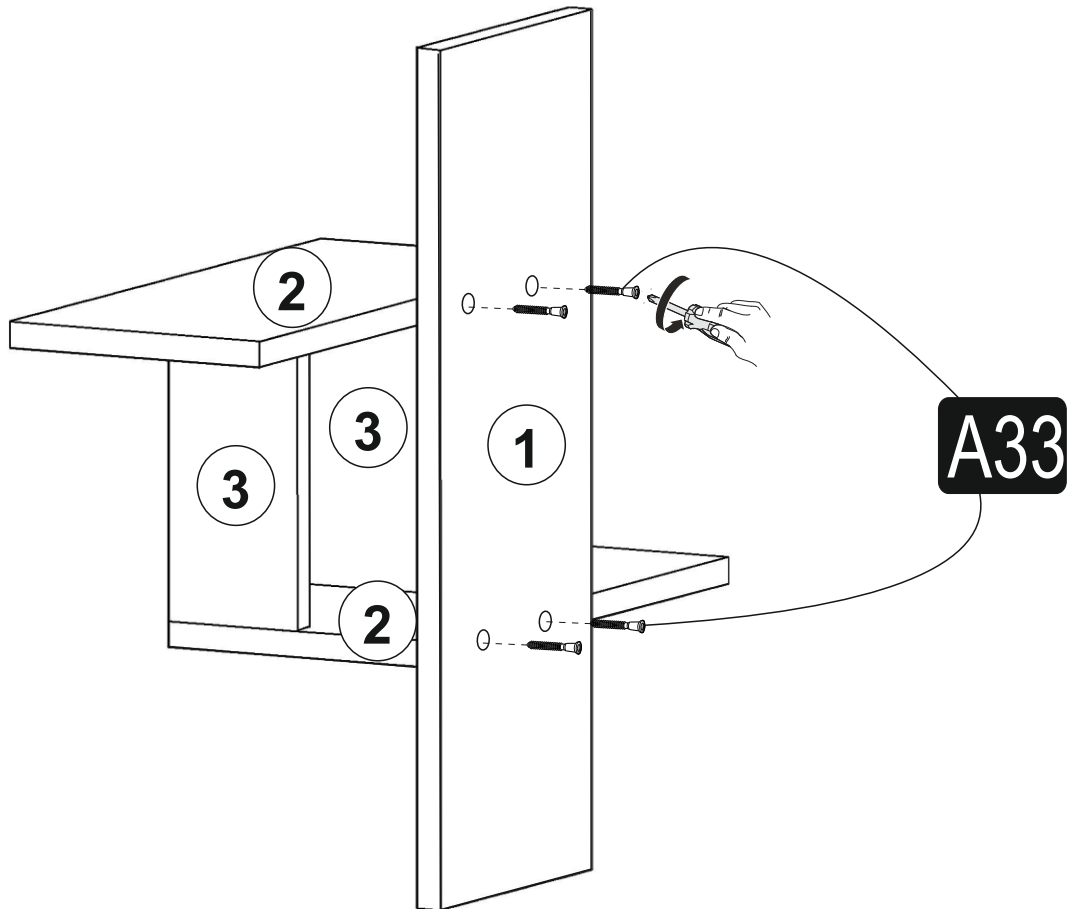
PARÇA TANILAMA / GENERAL VIEW



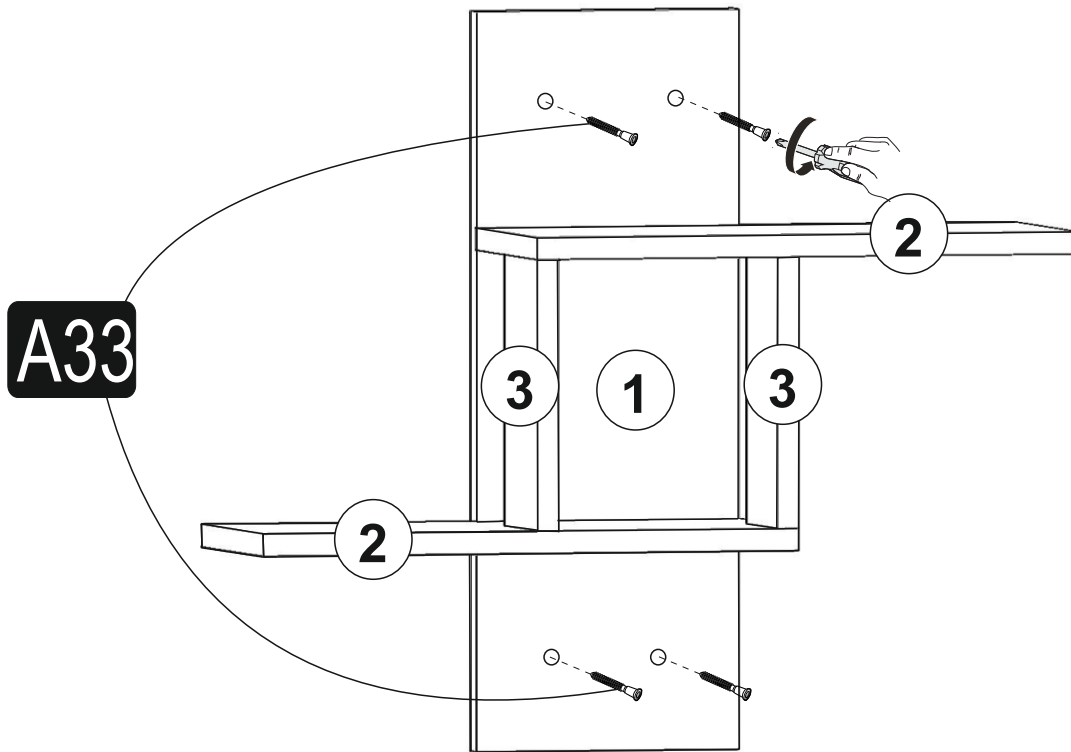
1



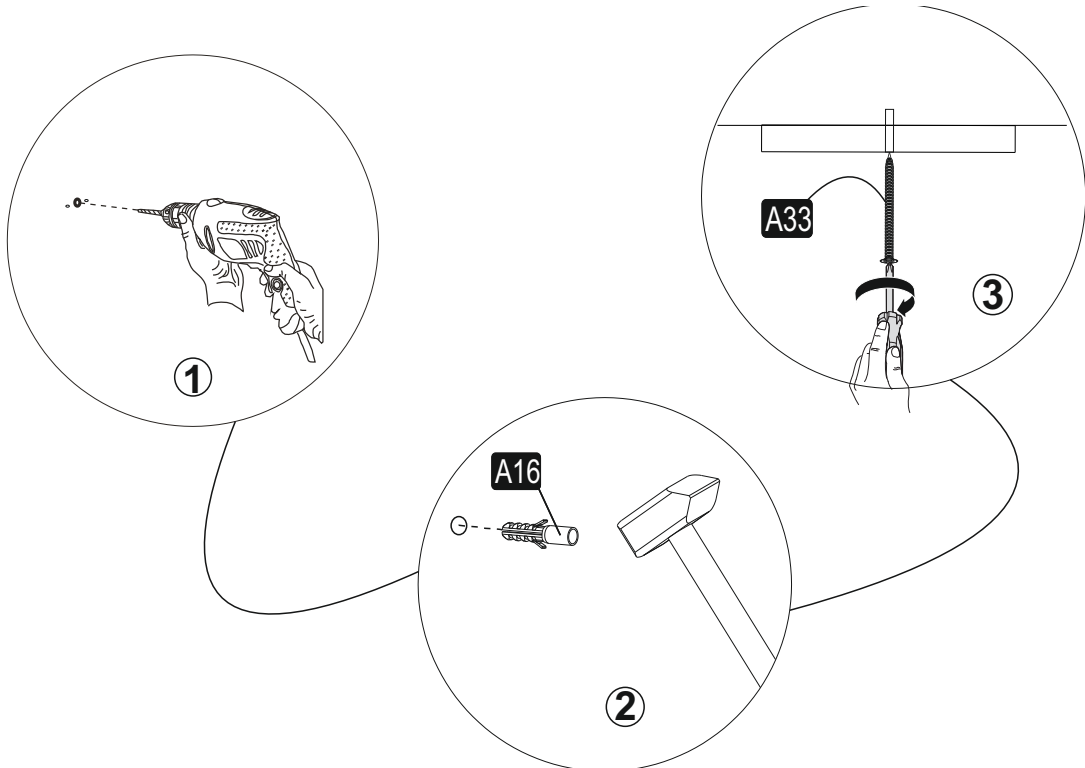
2



3



4



5

