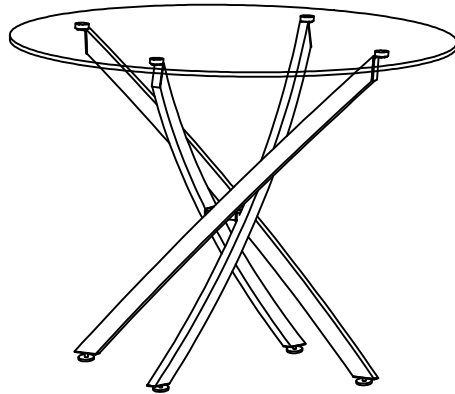


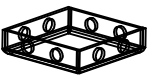
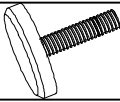


# Assembly Instructions

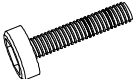
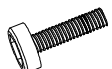



Please install the products on carpet or soft place.

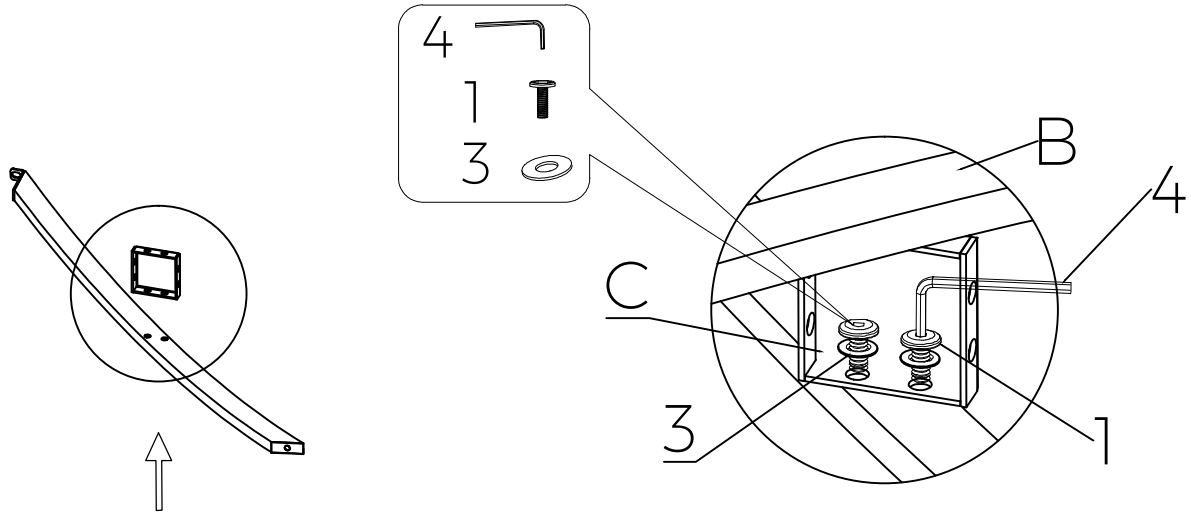
## Parts List

No.	Sketch	Description	Qty
A		Glass Top	1
B		Leg	4
C		Iron Box	1
D		Adjustable Feet	4

## Hardware List

No.	Sketch	Description	Qty
1		Bolts M8X16	8
2		Bolts M8X10	4
3		Gasket	12
4		Allen Key	1

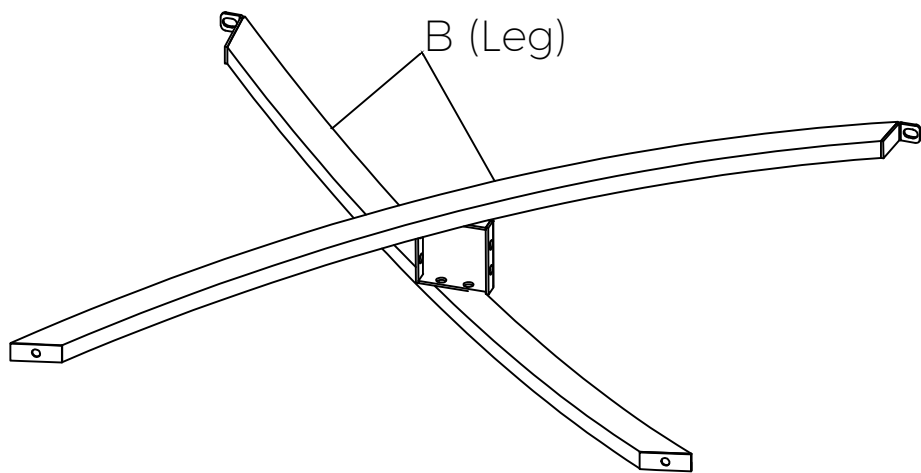
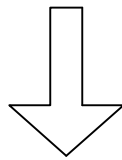
# STEP 1



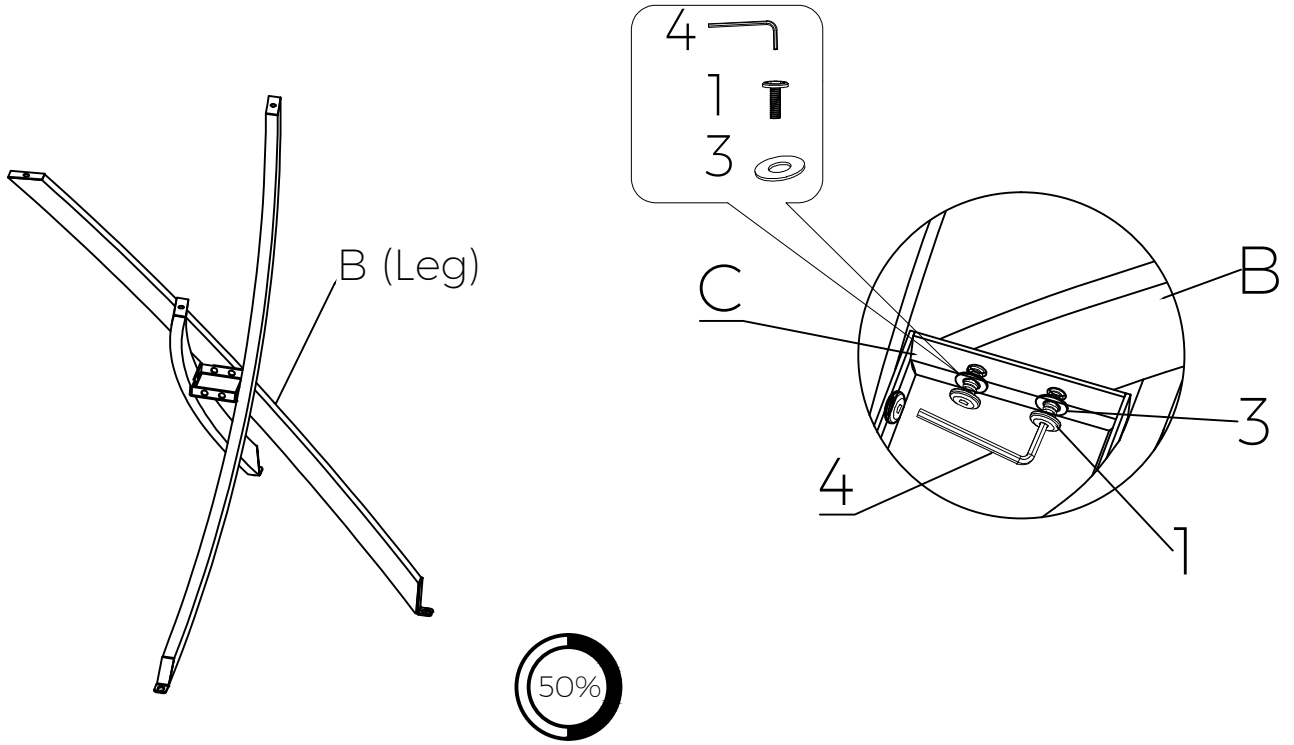
Note: The opening direction of the box should be consistent with the picture



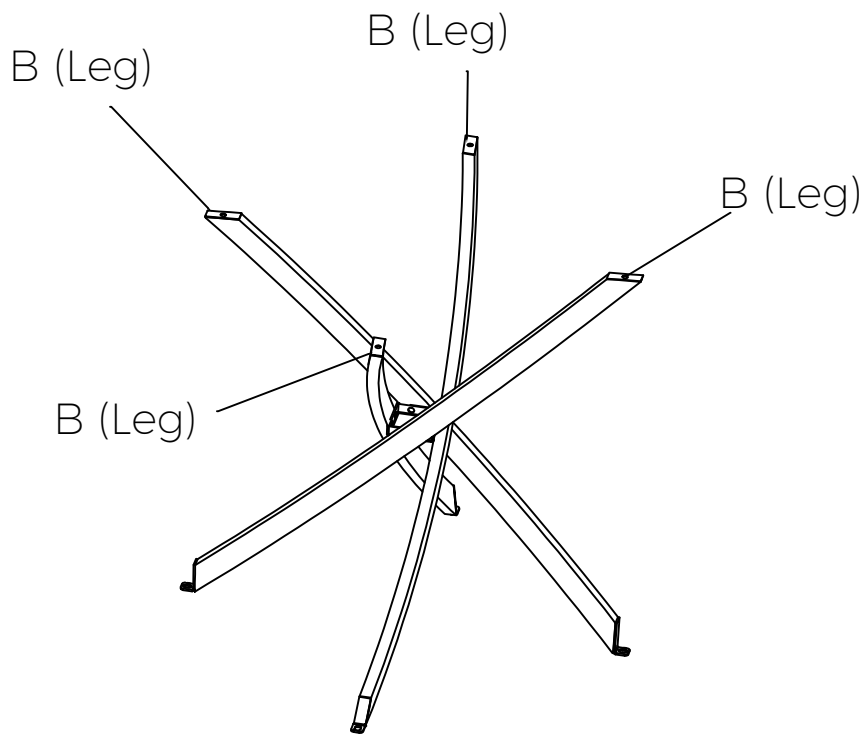
Half-tighten all screws



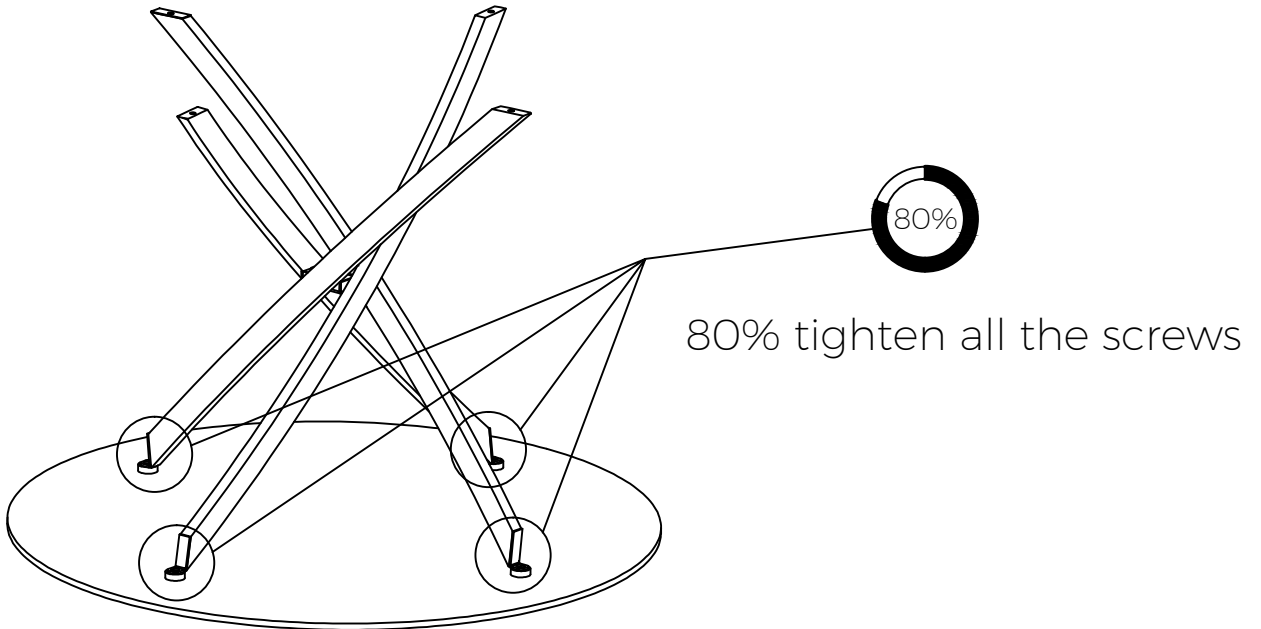
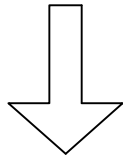
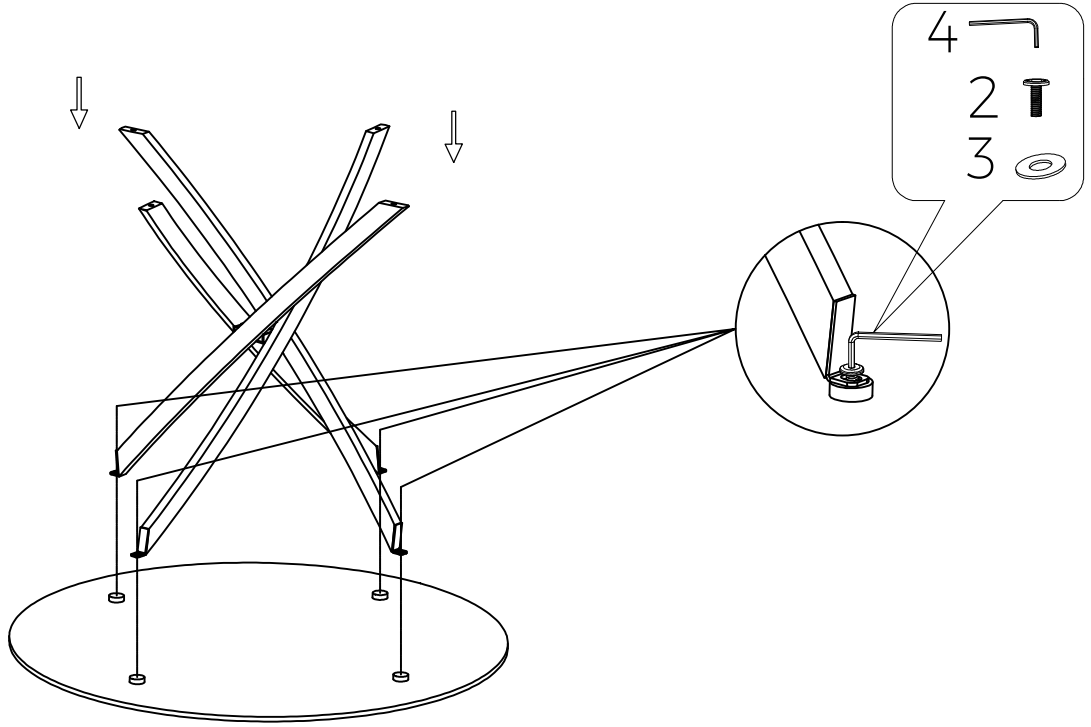
STEP 2



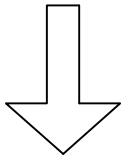
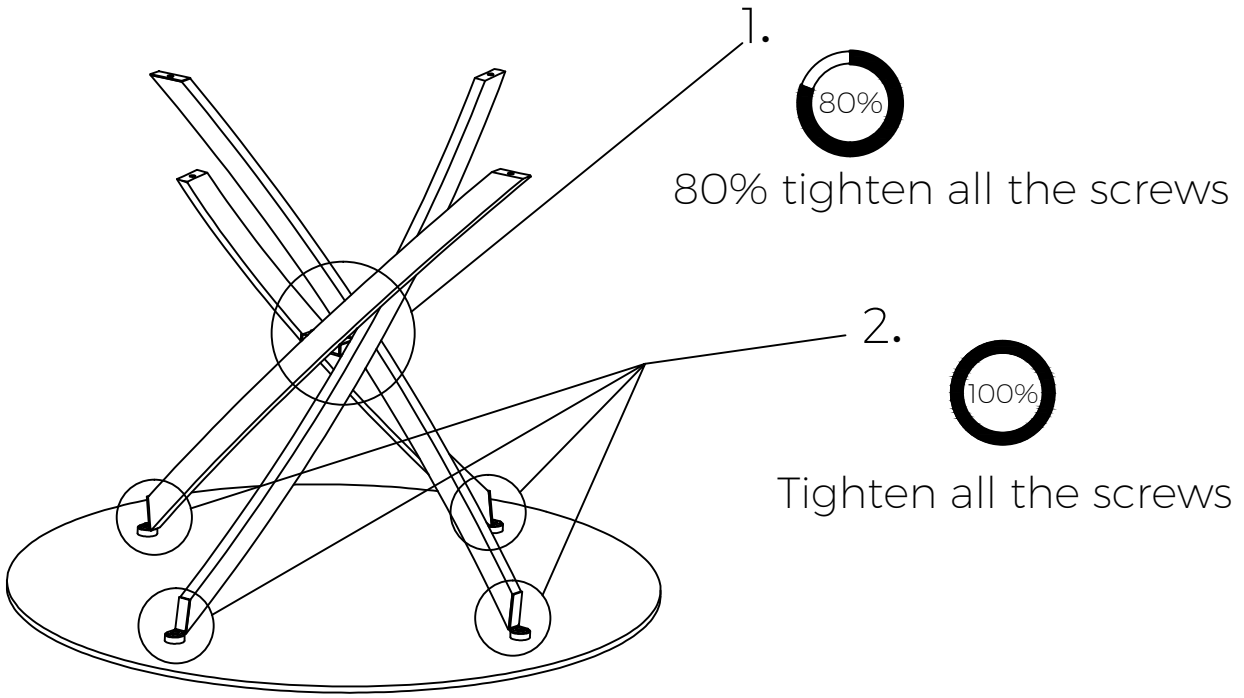
Half-tighten all screws



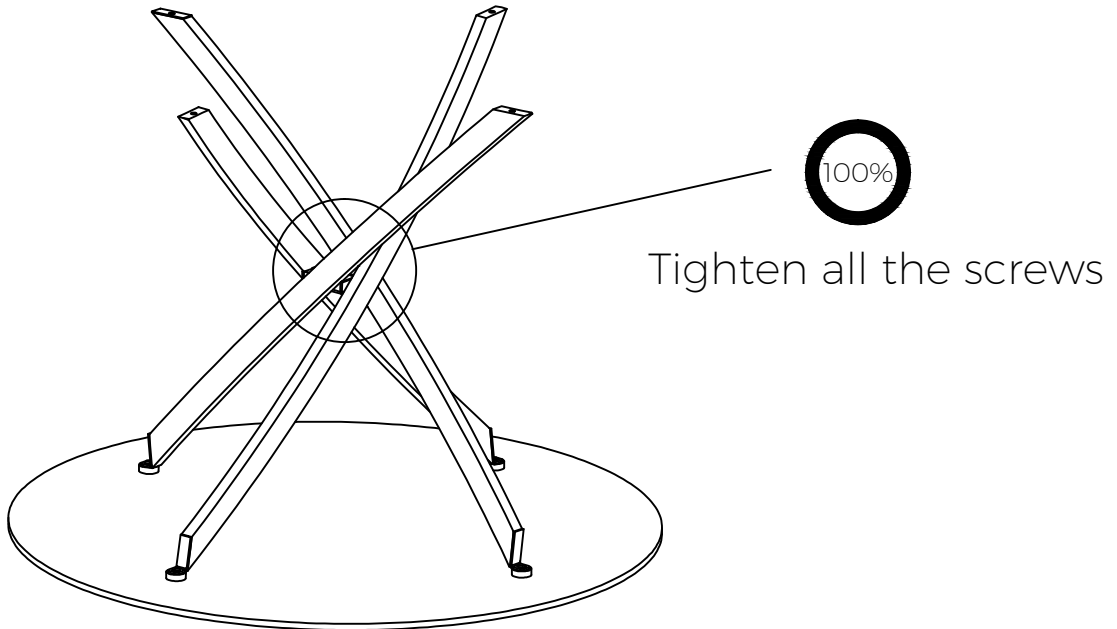
# STEP 3



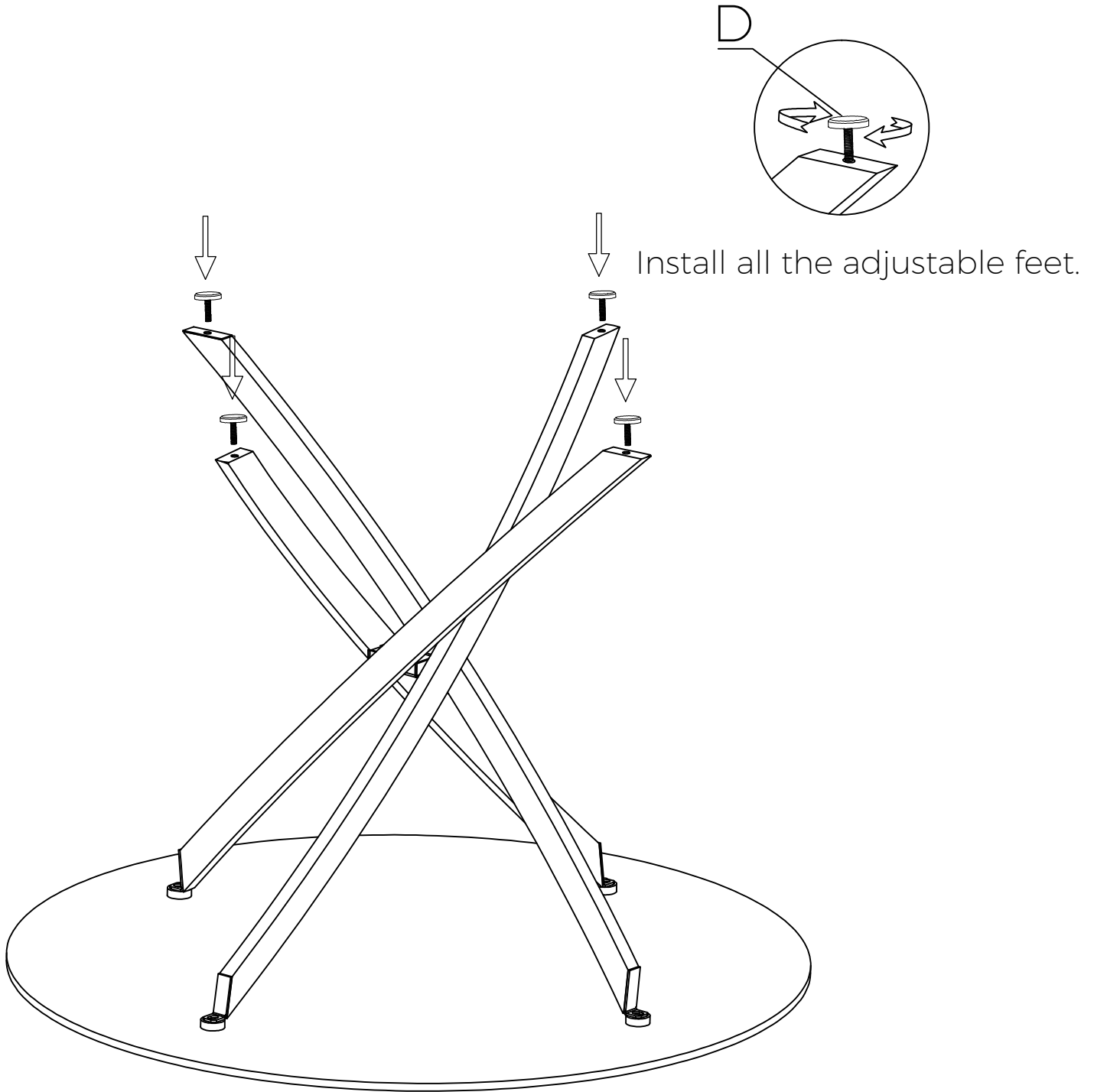
STEP 4



After aligning feet



# STEP 5



COMPLETED

