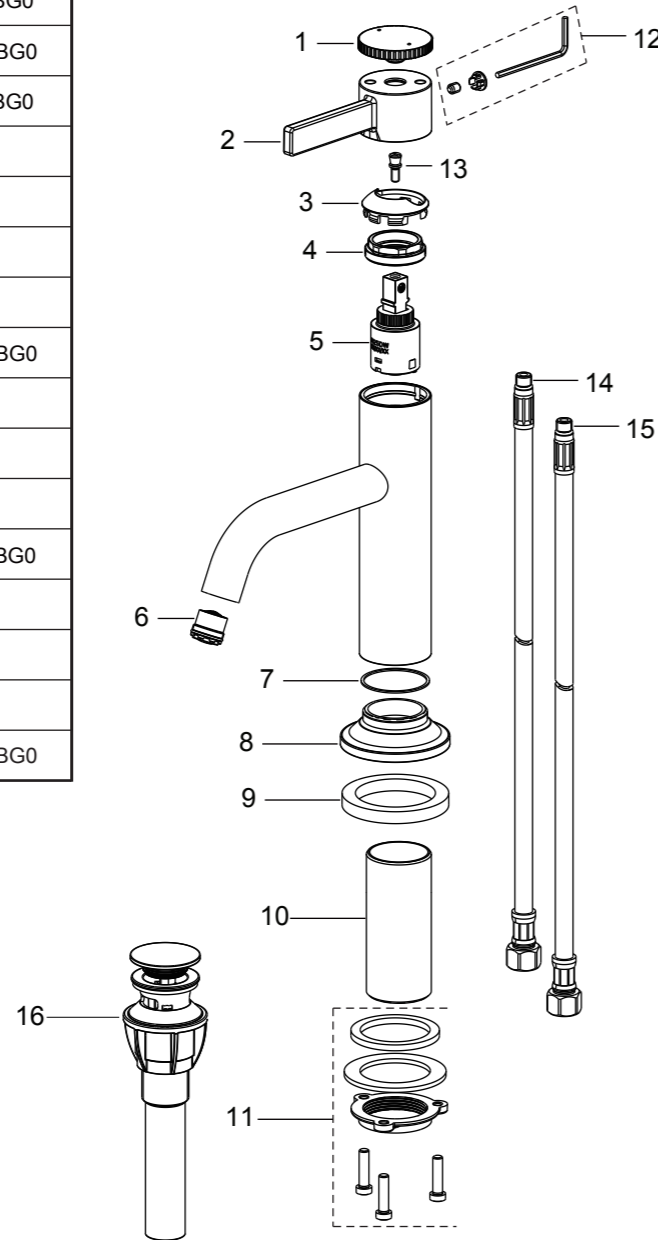


Replacement Parts / Pièces de rechange / Repuestos

UF34600
UF34603
UF34607
UF34608

No.	Description	Part No.
1	Handle Decoration Cap	5L0180900CP/AP/HBW/RBG0
2	Handle	5C0107800CP/AP/HBW/RBG0
3	Dome	5L0029700CP/AP/HBW/RBG0
4	Nut	5T0C0171NT
5	Cartridge Assembly	5D8001400PL0
6	Aerator	5E0005200PL0
7	Washer	5R4P0155PL
8	Spout Ring	5N0111700CP/AP/HBW/RBG0
9	Washer	5R9002400PL0
10	Mounting Shank	5J0C024002CZ0
11	Mounting Hardware	5Y0328600NT0
12	Screw & Hex Key & Plug	5Y0406800CP/AP/HBW/RBG0
13	Pin	5T0F0310NT
14	Inlet hose (Hot)	5G0004000CC7
15	Inlet hose (Cold)	5G0004100CC7
16	Pop-up Drain Assembly	5Y0161903CP/AP/HBW/RBG0



Limited Lifetime Warranty

Ultra Faucets warrants to the original purchaser that its products will be free from defects in workmanship and materials. All Ultra Faucets are provided with a life time limited warranty. This warranty does not cover any other labor or service charges associated with the removal, repair, or reinstallation of Ultra Faucets products. This express warranty does not apply to products that have been damaged as a result of misuse, abuse, negligence, accident, faulty installation or maintenance practices and/or used in any manner contrary to those recommended by the manufacturer.

Need help? Please call our toll-free customer service line at 1-888-658-5872 for additional assistance or service.

Besoin d'aide? Veuillez communiquer avec notre service à la clientèle au numéro gratuit 1-888-658-5872 pour tous renseignements ou services complémentaires.

¿Requiere asistencia? Llame a nuestro Servicio al Cliente, sin costo, al 1-888-658-5872 para asistencia adicional o servicio.



Maesson Collection

Single-Handle Lavatory Faucet



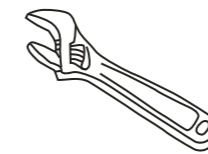
Installation/Installation/Instalación

CUSTOMER SERVICE
TOLL-FREE 1-888-OK-ULTRA (658-5872)

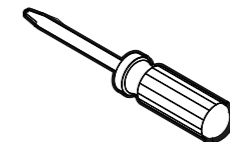
UF34600 - Polished Chrome
UF34603 - PVD Brushed Nickel
UF34607 - Matte Black
UF34608 - Brushed Gold



Tools You Will Need / Outils dont vous aurez besoin / Herramientas necesarias



Adjustable Wrench
Clé à molette
Llave ajustable



Phillips Screwdriver
Tournevis Phillips
Destornillador cruciforme

SAFETY TIPS

- If you use soldering for the installation of the faucet, the seats, cartridges and washers will have to be removed before using flame. Otherwise, warranty will be void on those parts.
- Cover your drain to avoid losing parts.
- 0°C~55°C.

CONSIGNES DE SÉCURITÉ

- Si vous posez le robinet par brasage, il est essentiel de retirer les sièges, les cartouches et les rondelles avant d'appliquer la flamme, faute de quoi la garantie sur ces pièces sera annulée.
- Couvrez le drain pour ne pas perdre des pièces.
- 0°C~55°C.

CONSEJOS DE SEGURIDAD

- En el caso de utilizar soldadura para instalar el grifo, remueva los asientos, cartuchos y arandelas antes de usar la llama. De lo contrario, se anulará la garantía para esos componentes.
- Tape la boca del desagüe para prevenir la pérdida de piezas pequeñas.
- 0°C~55°C.

1

Shut off the supply of the water valves. Remove old faucet and clean the mounting surface for installation of a new faucet.

2

Lower the body assembly and the Base Assembly into the mounting hole.

3

Under the sink, slide the washer and metal washer onto the faucet. Secure the faucet with the locking nut and screws to the countertop.

7

Complete the assembly.

4

Connect the inlet hoses to hot and cold angle valves. Use an adjustable wrench to tighten the hoses to avoid leakage. (IMPORTANT: Do not overtighten the connections.)

5

Slide push drain down into drain hole.

6

Tighten seal ring with plastic nut upwards and secure tight from below.

8

Remove the aerator with a small coin or a flat head screw driver. Turn on water supply and let the water run for 20 seconds. Check for leaks at all connections. Reinstall the aerator to complete the installation. (NOTE: Sediments or mineral buildup will clog the aerator and decrease water flow. It is recommended to clean the aerator regularly to maintain proper water flow.)