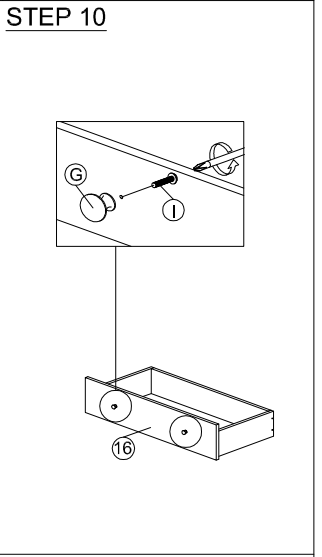
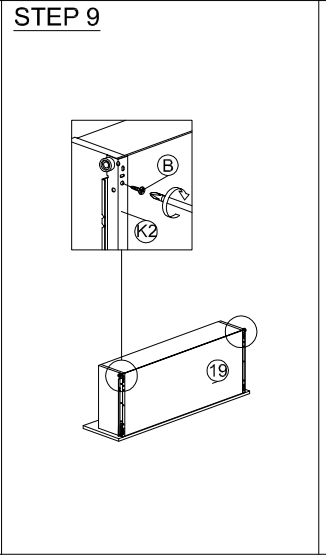
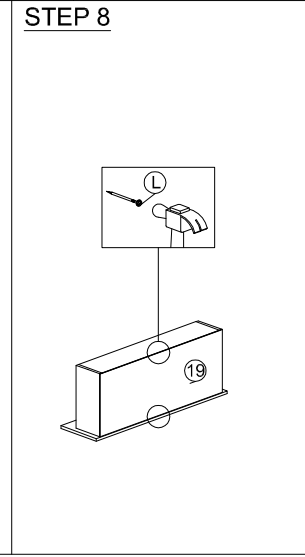
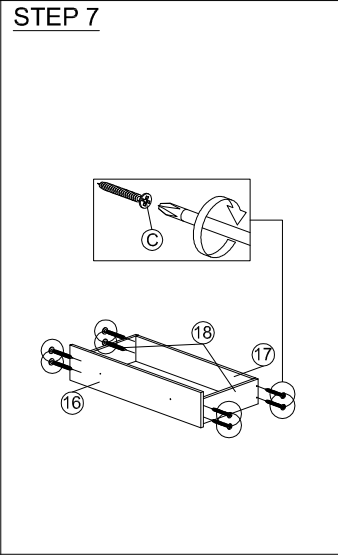
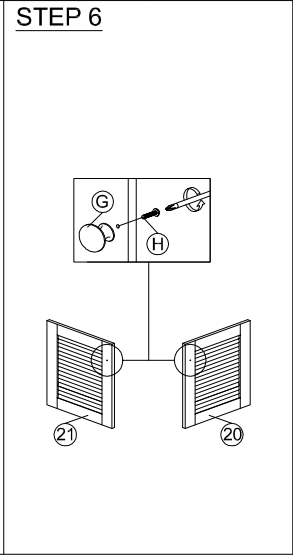
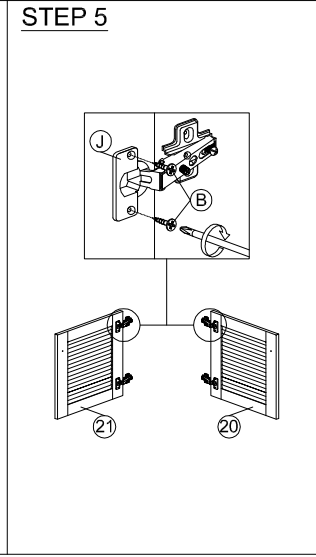
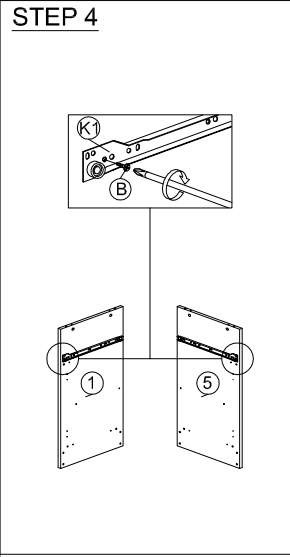
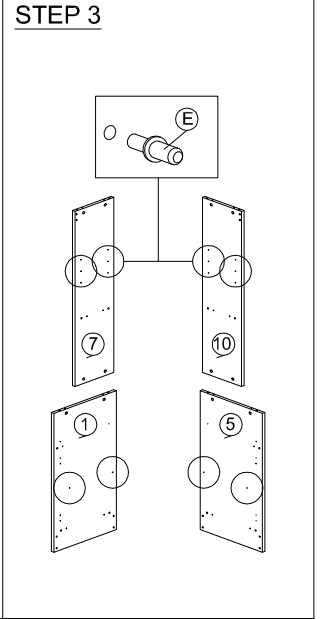
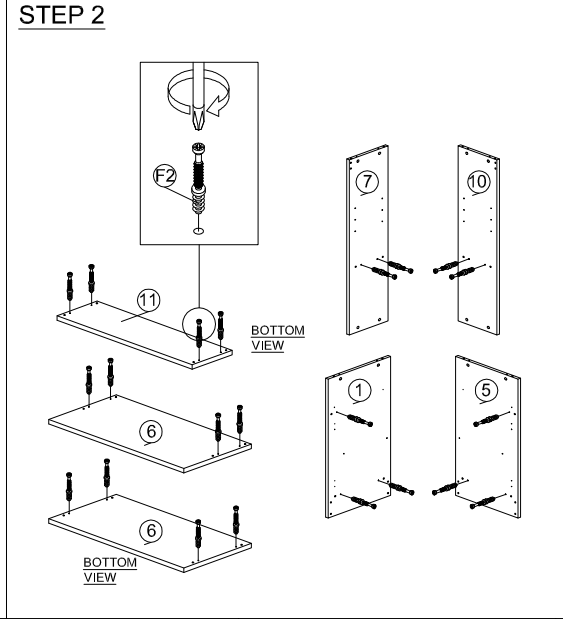
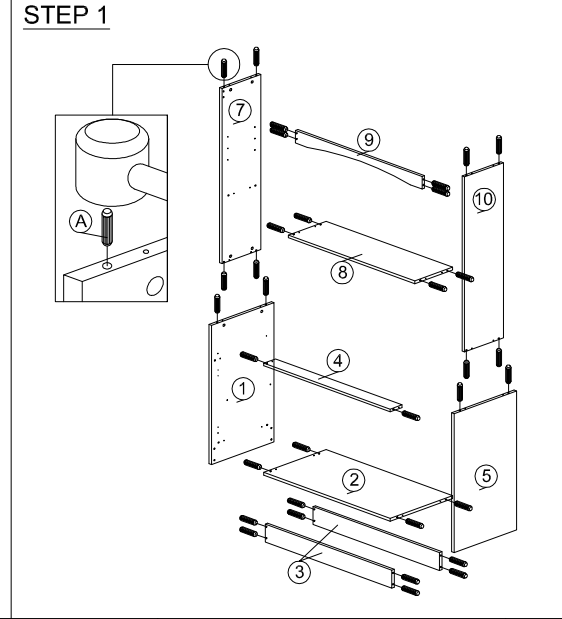
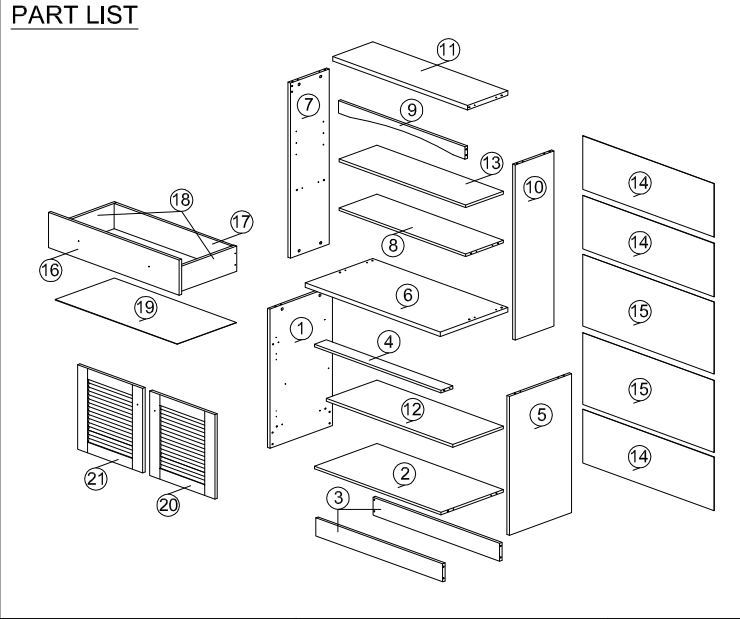


ASSEMBLY INSTRUCTION

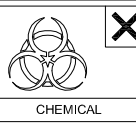
DESCRIPTION : KITCHEN CABINET

HARDWARE	A	B	C	D	E	F	G	H	I	J	K	L	M
	WOOD DOWEL 8 X 25 1X34	CB SCREW M3.5X16MM 1X28	CB SCREW M4X38MM 1X8	L KEY 1X1	METAL SHELF SUPPORT 1X8	MINIFIX 5654+5646 22 SETS	HANDLE 5022 1X4	HANDLE SCREW M4X19MM 1X2	HANDLE SCREW M4X35MM 1X2	HINGES 5/8 4 SETS	DRAWER SLIDE 14" 1 SET	NAIL 5/8 1X60	PVH PROFILE -750MM 1X4

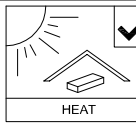




SOFT, DRY CLOTH



CHEMICAL



HEAT



KEEP DRY



HANDLE WITH CARE

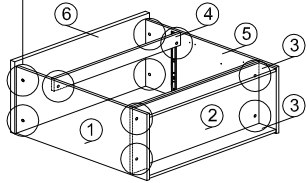
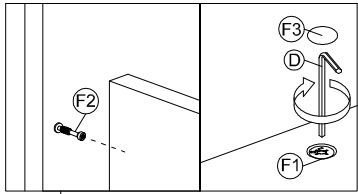


DO NOT USE KNIFE

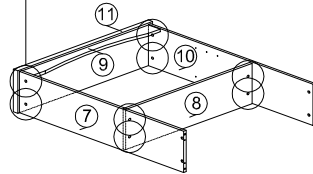
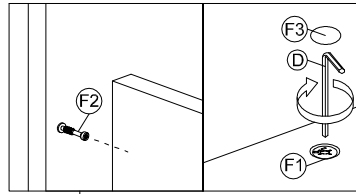
ASSEMBLY INSTRUCTION

DESCRIPTION : KITCHEN CABINET

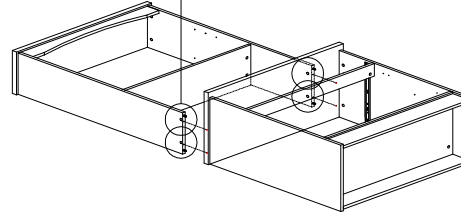
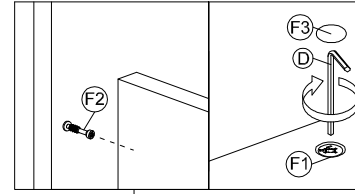
STEP 11



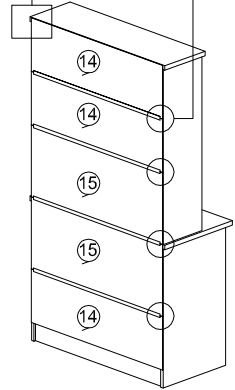
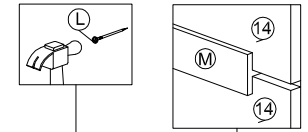
STEP 12



STEP 13

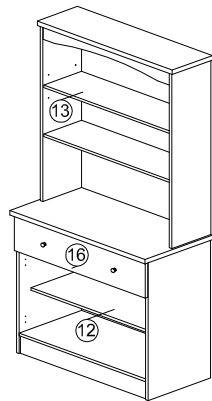


STEP 14

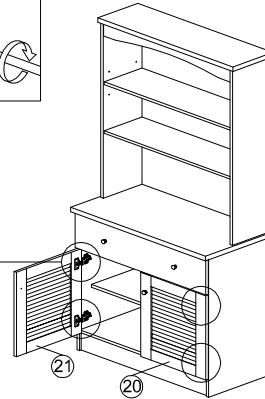
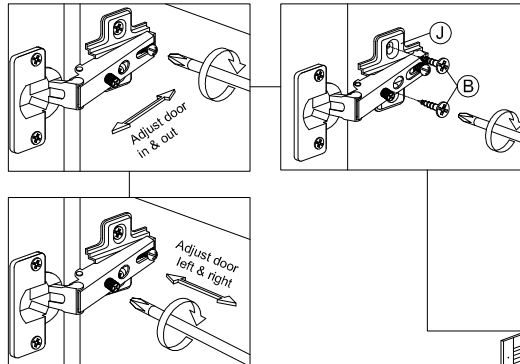


BACK VIEW

STEP 15



STEP 16



COMPLETED

