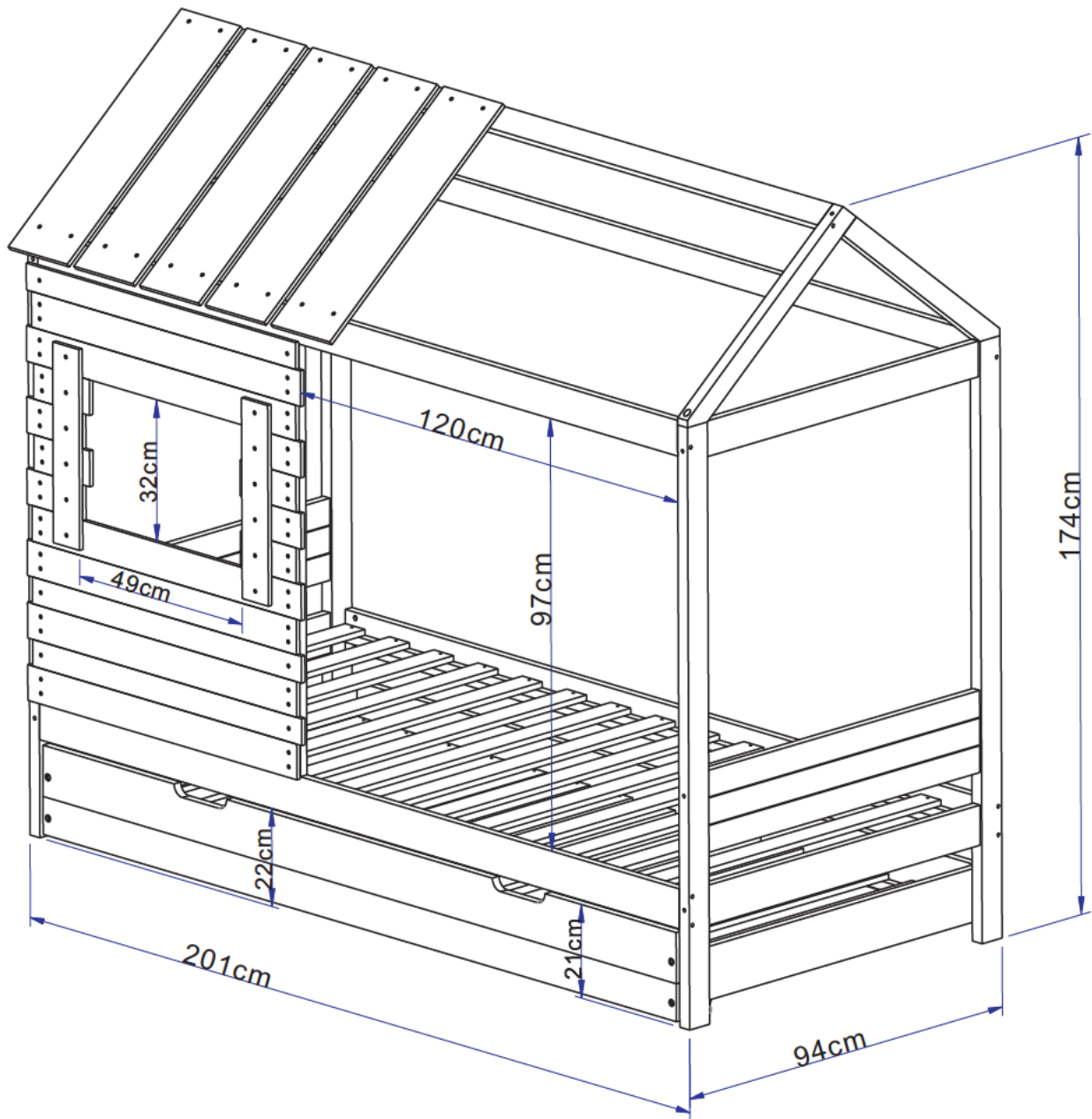
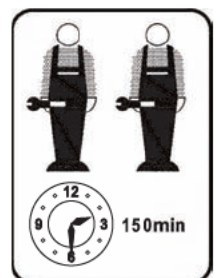


# Assembly Instructions



READ THE ASSEMBLY INSTRUCTIONS CAREFULLY. IDENTIFY THE ELEMENTS CONSTITUING YOUR PIECE OF FURNITURE. GROUP AND CHECK THE HARDWARE FITTINGS, GET THE TOOLS NEEDED. CLEAR SPACE TO WORK. PROCEED TO ASSEMBLE

NEVER FORCE THE FITTINGS. TIGHTEN THE SCREW AFTER USING FOR SOMETIME. KEEP YOUR ASSEMBLY INSTRUCTIONS, IT COULD HELP FOR BETTER COMMUNICATION WITH YOUR STORE. IN THE EVENT OF QUERY,



## Safety and Care Advice



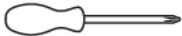
### Important – Please read these instructions fully before starting assembly

- \* Check you have all the components and tools listed on the pages below
- \* Remove all fittings from the plastic bags and separate them into their groups.
- \* Keep children and animals away from the work area, small parts could choke if swallowed.
- \* Make sure you have enough space to lay out the parts before starting.
- \* Do not stand or put weight on the product, this could cause damage.
- \* Assemble the item as close to its final position (in the same room) as possible.
- \* Assemble on a soft, level surface to avoid damaging the unit or your floor.
- \* We do not recommend the use of power drill/drivers for inserting screws, as this could damage the unit. Only use hand screwdrivers.
- \* Dispose of all packaging carefully and responsibly.

### Safety, Care and Maintenance

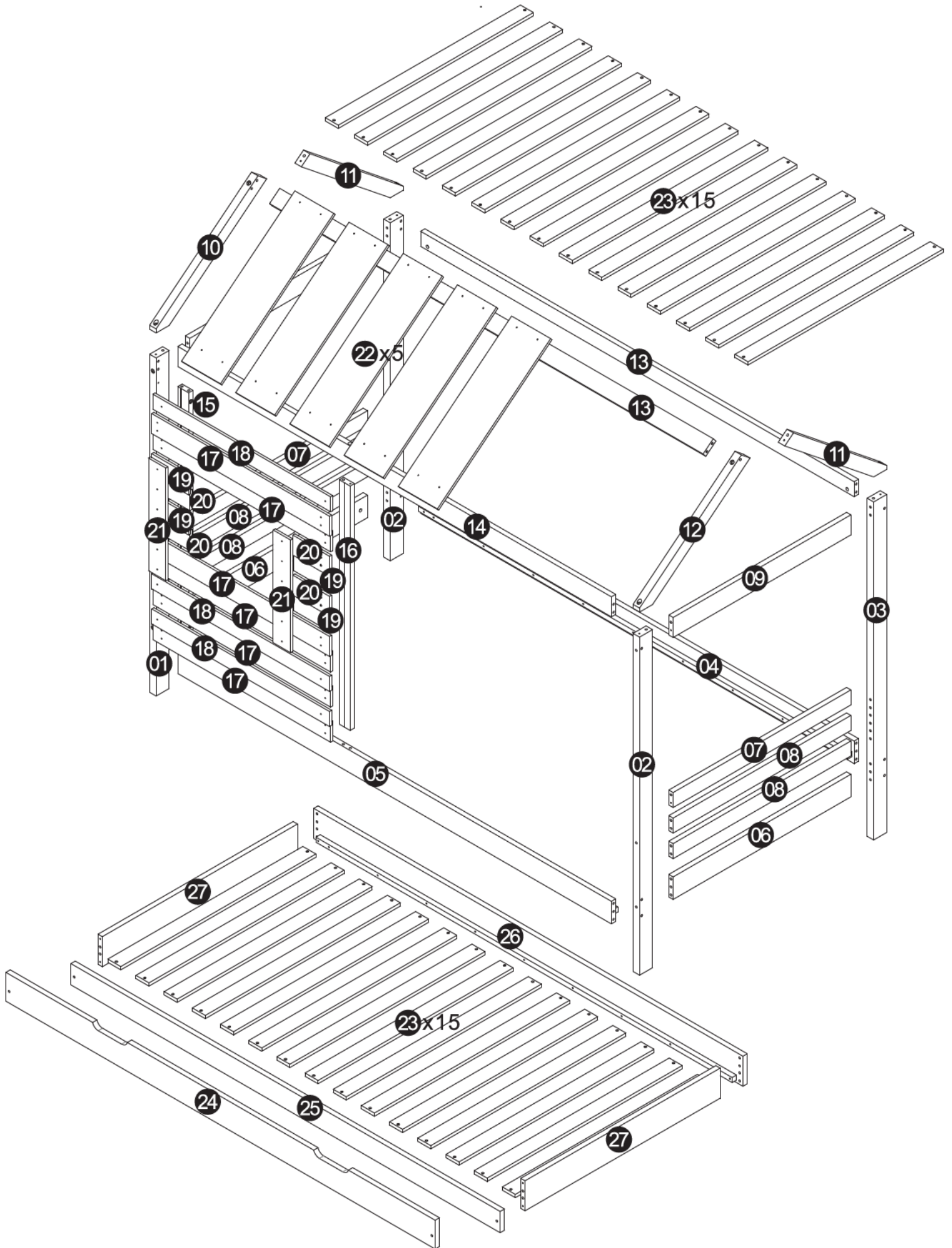
- \* Components - Periodically check and ensure that all the components are in their proper position and free from damage. Also, make sure that all connectors are tight and secure. Do not use the bed if any structural part is broken or missing
- \* Humidity - Ventilation of the room is necessary in order to keep the humidity low and to prevent mould in and around the bed
- \* WARNING – children can become trapped between the bed and the wall, a roof pitch, the ceiling or adjoining pieces of furniture (e.g. cupboards)  
To avoid risk of serious injury the distance between the bed and any adjoining structure shall not exceed 75mm or shall be more than 230mm.
- \* Mattress – Recommended mattress size for this bed is 900mm by 1900mm (UK standard 3' by 6'3")  
Recommended mattress depth is 150mm. A sprung or Foam mattress can be used.

---

Do not use power tools	No. people	Assembly Time	Tools required
		150 mins (approx.)	

# Components - Panels

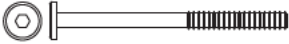
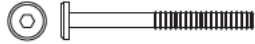


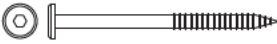
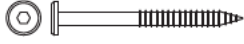
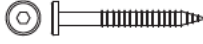

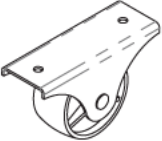




Please check that you have all the components listed below before constructing your item.



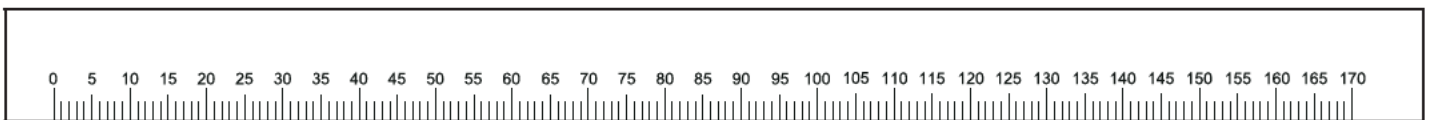
# Components - Fixings

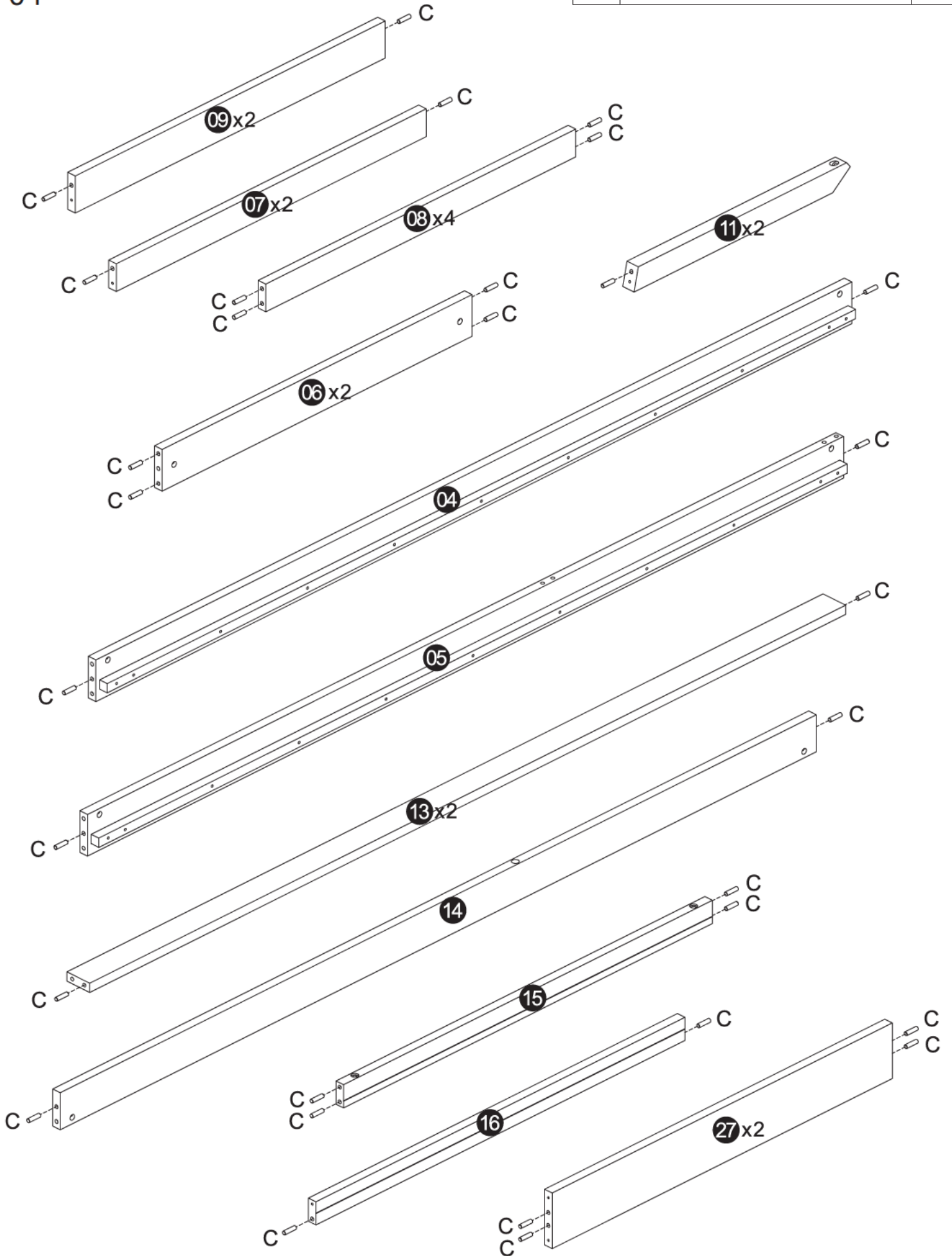
Please check that you have all the components listed below before constructing your item.

**Note:** The quantities below are the correct amount to complete the assembly. In some cases more fittings may be supplied than are required.




<p><b>A x4</b></p>  <p>M6x100</p>	<p><b>B x14</b></p>  <p>M6x70</p>	<p><b>C x62</b></p>  <p>Ø8x30</p>	<p><b>D x18</b></p> 
<p><b>E x12</b></p>  <p>Ø6x100</p>	<p><b>F x2</b></p>  <p>Ø6x70</p>	<p><b>G x12</b></p>  <p>Ø6x60</p>	<p><b>H x60</b></p>  <p>Ø4x30</p>
<p><b>J x4</b></p> 	<p><b>K x20</b></p>  <p>Ø3.5x16</p>	<p><b>L x46</b></p>  <p>Ø3.5x20</p>	<p><b>M x1</b></p> 
<p><b>N x20</b></p>  <p>Ø3.5x25</p>			

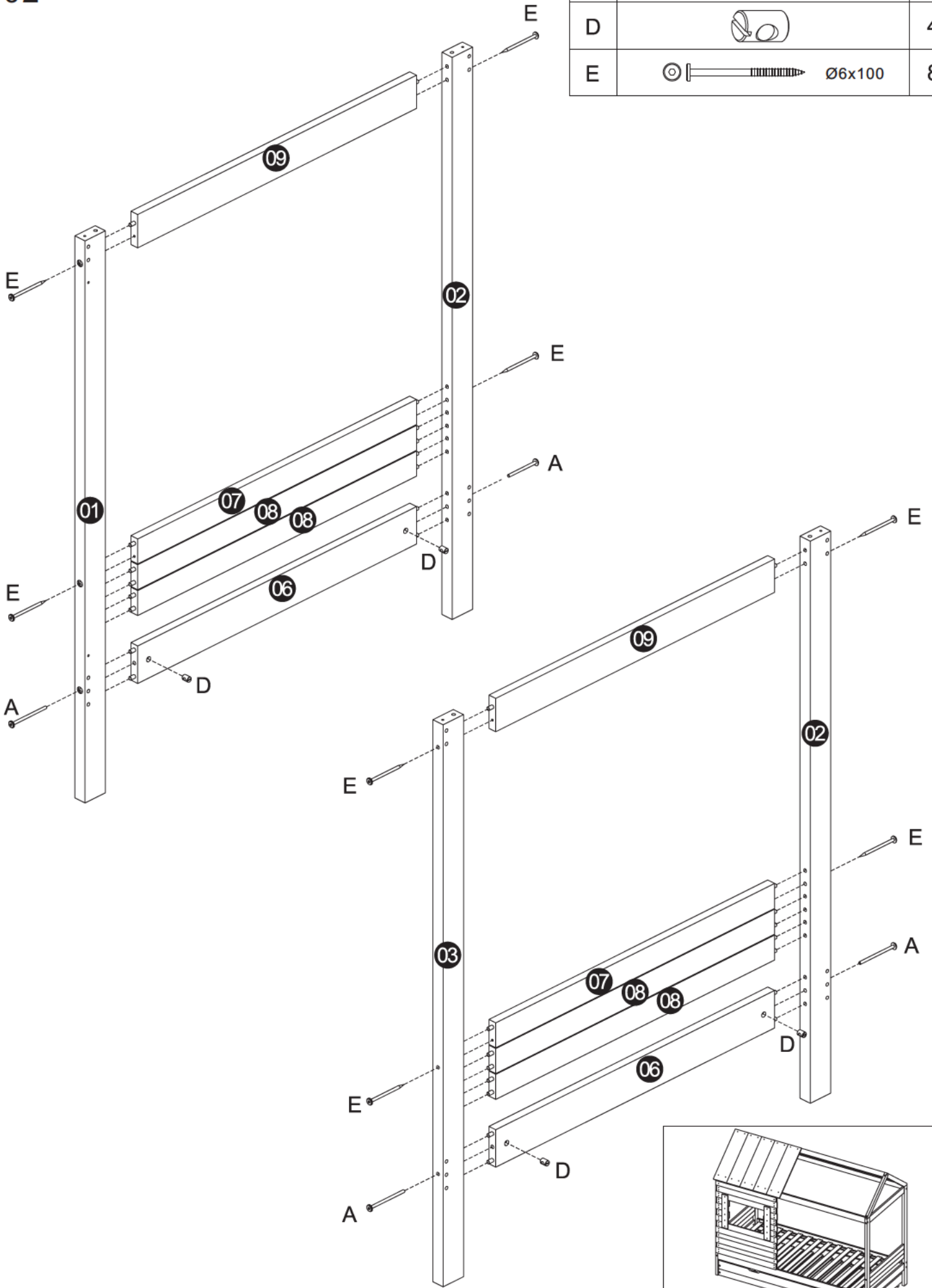
Please use a ruler to measure your screws & bolts in mm

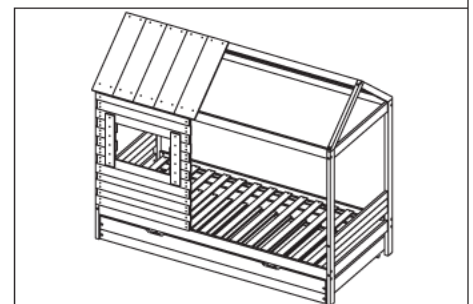
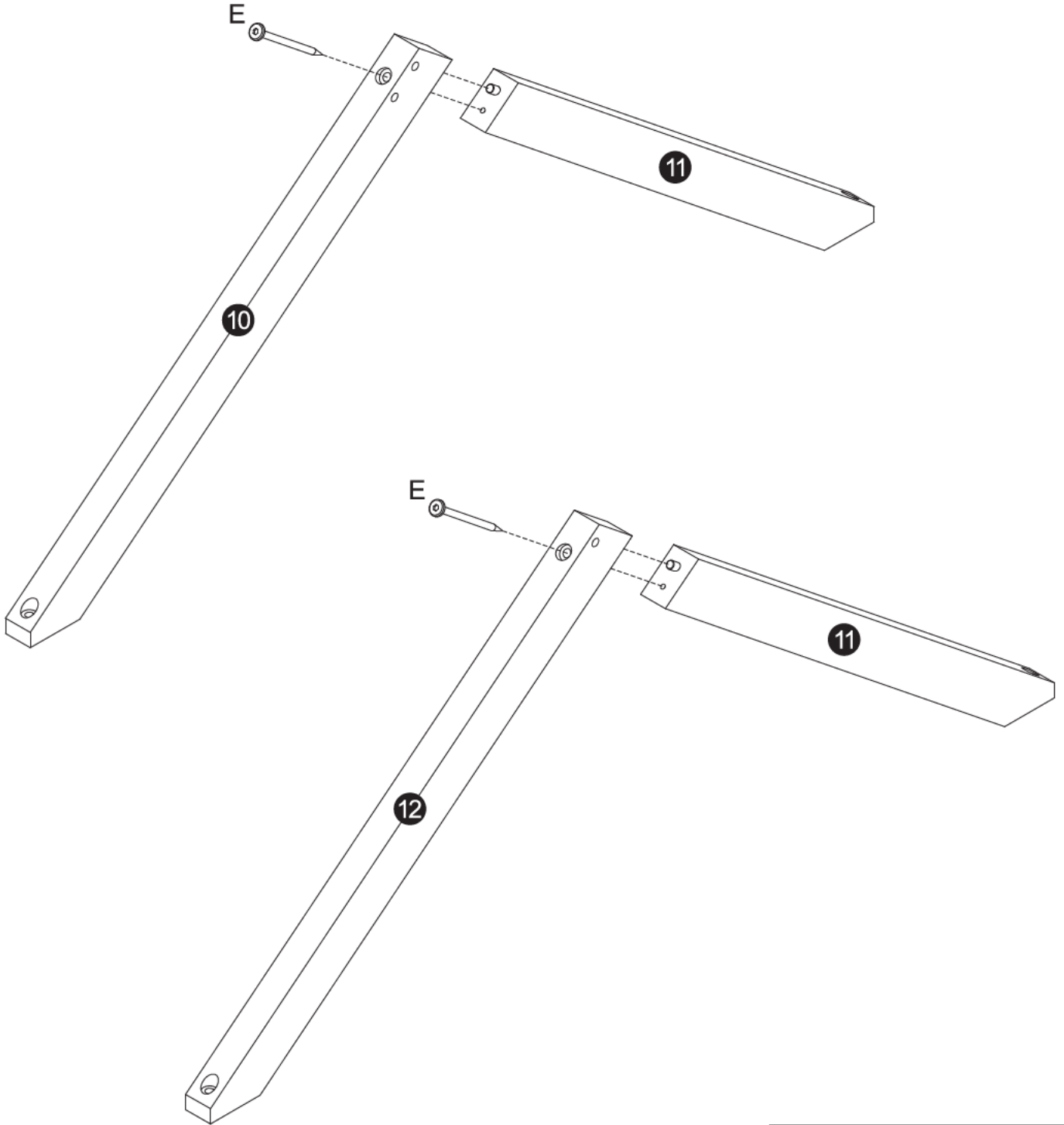





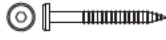
02

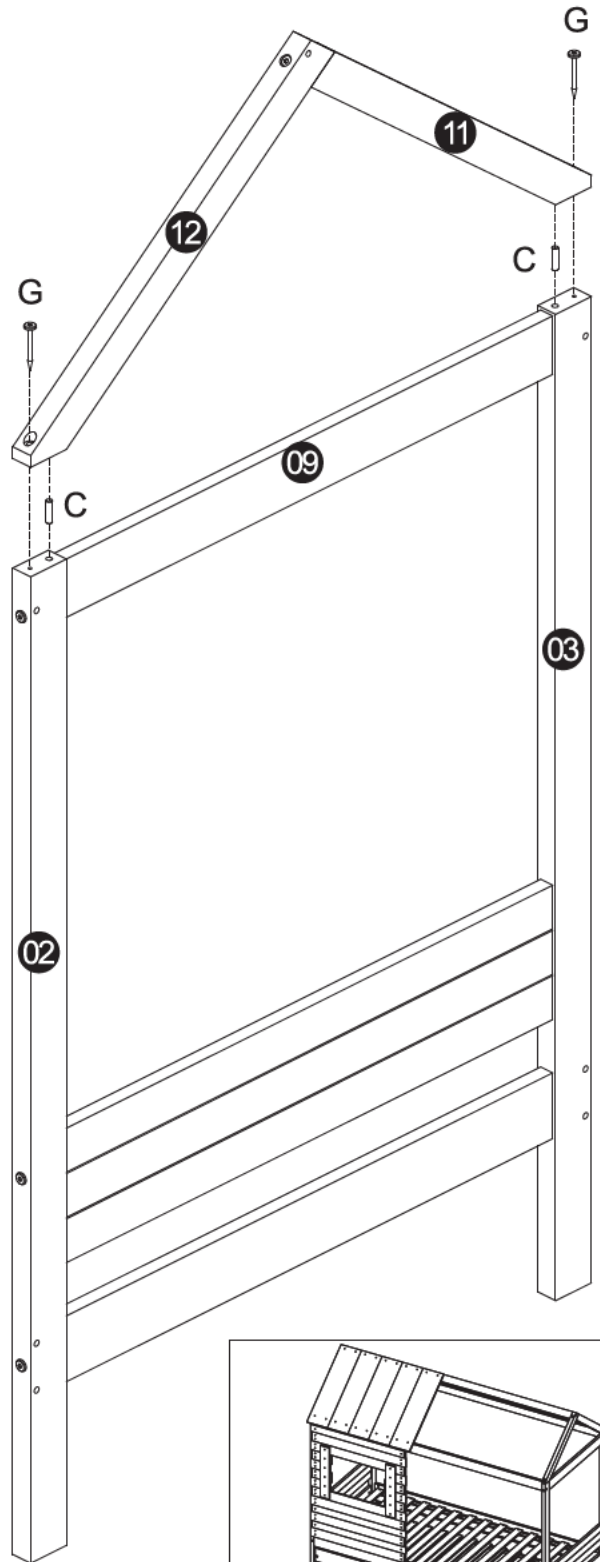
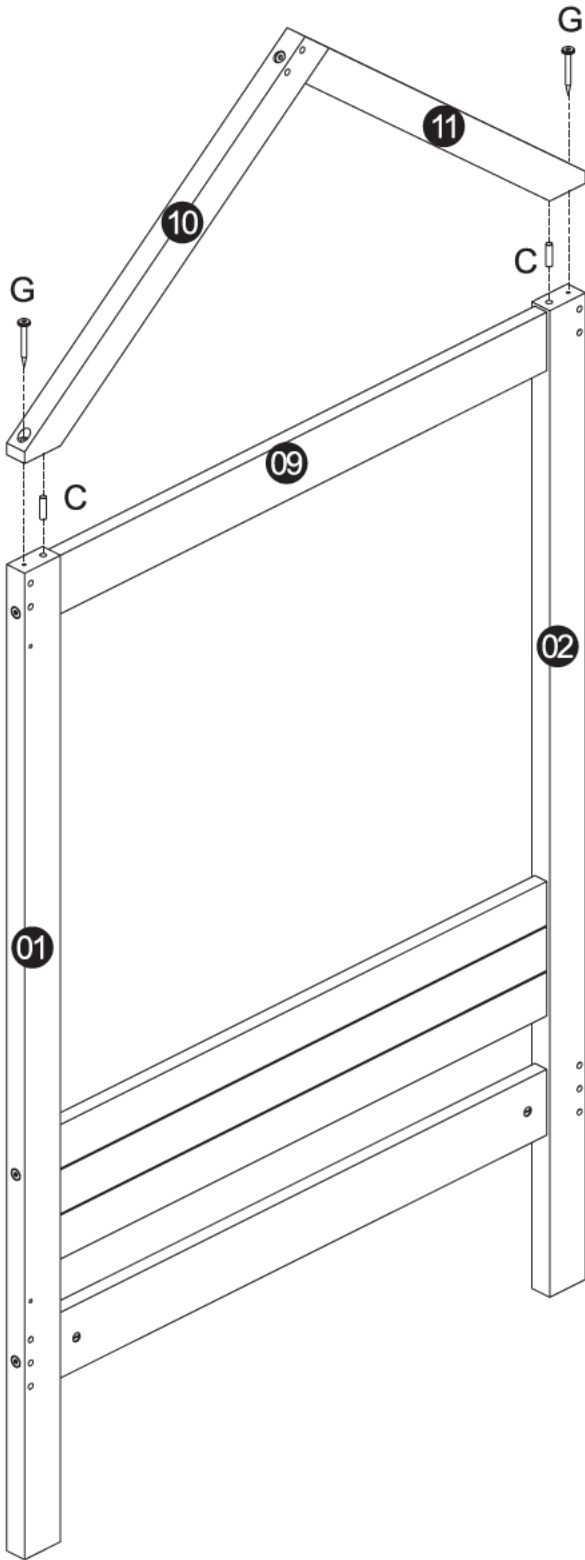
A		M6x100	4
D			4
E		Ø6x100	8

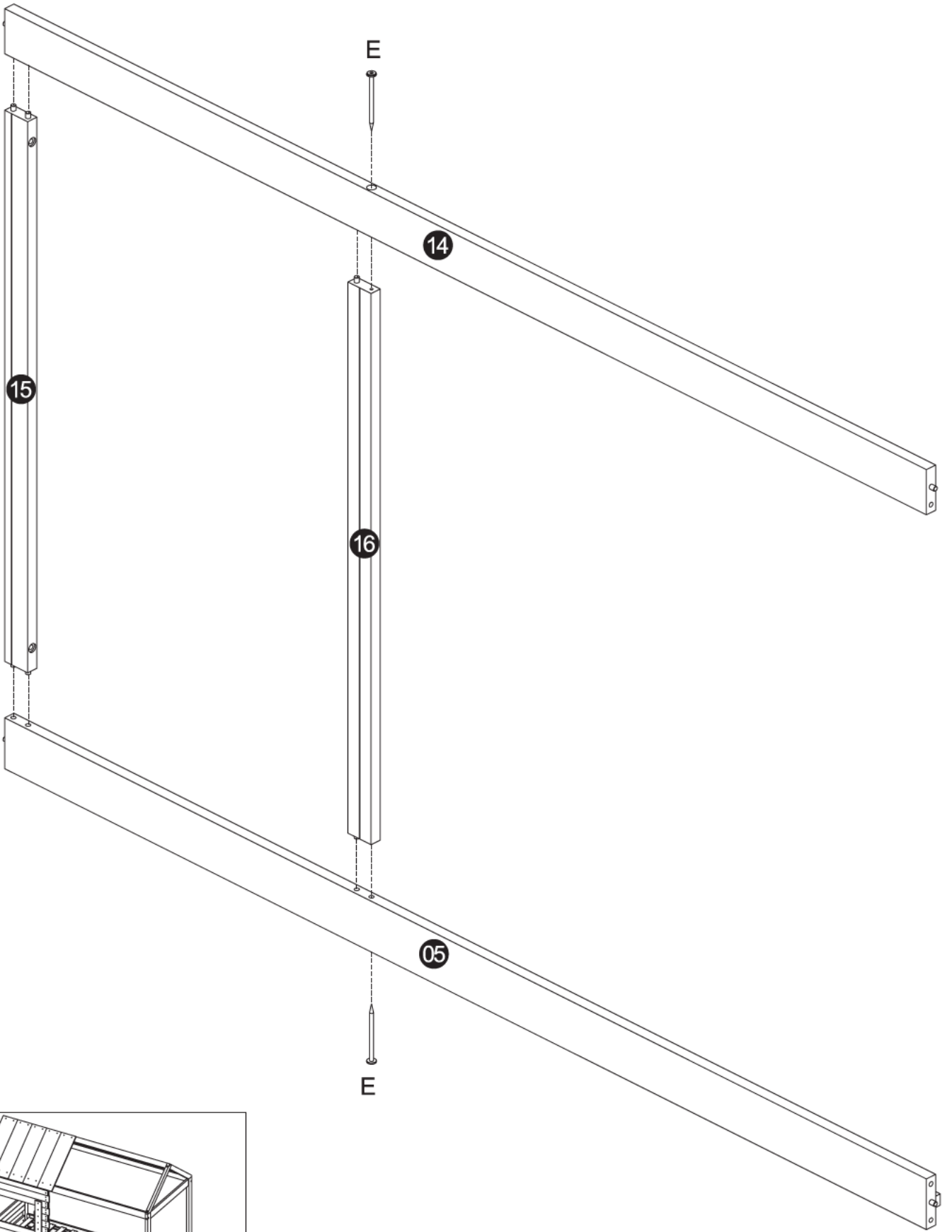




04

C		Ø8x30	4
G		Ø6x60	4





15

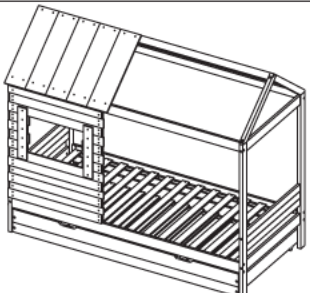
14

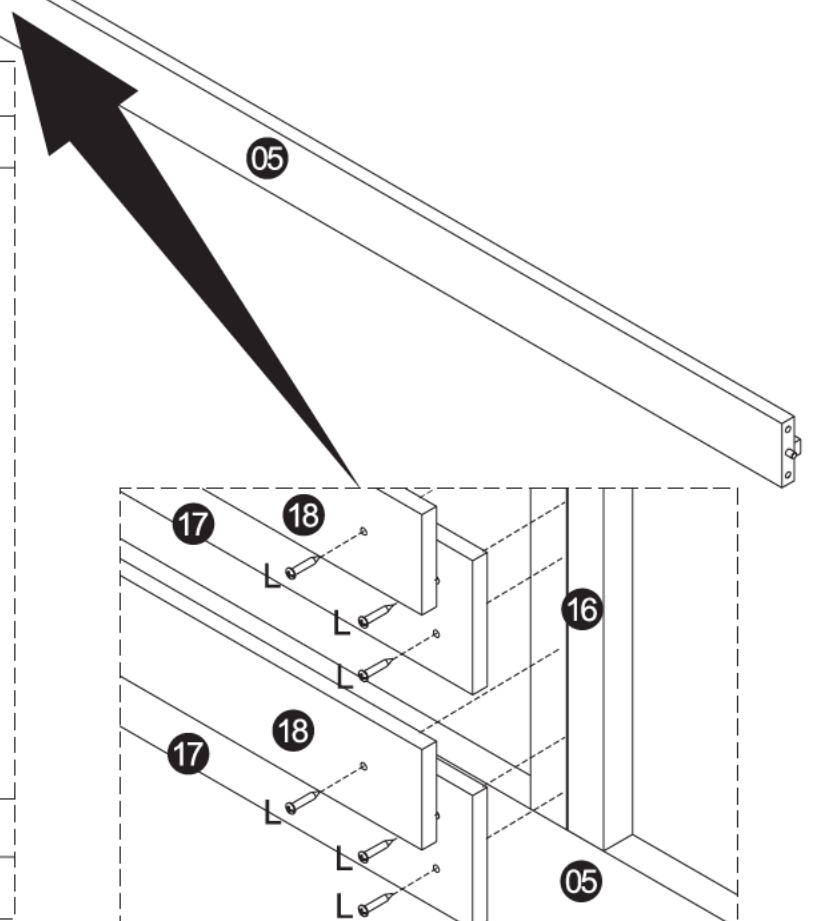
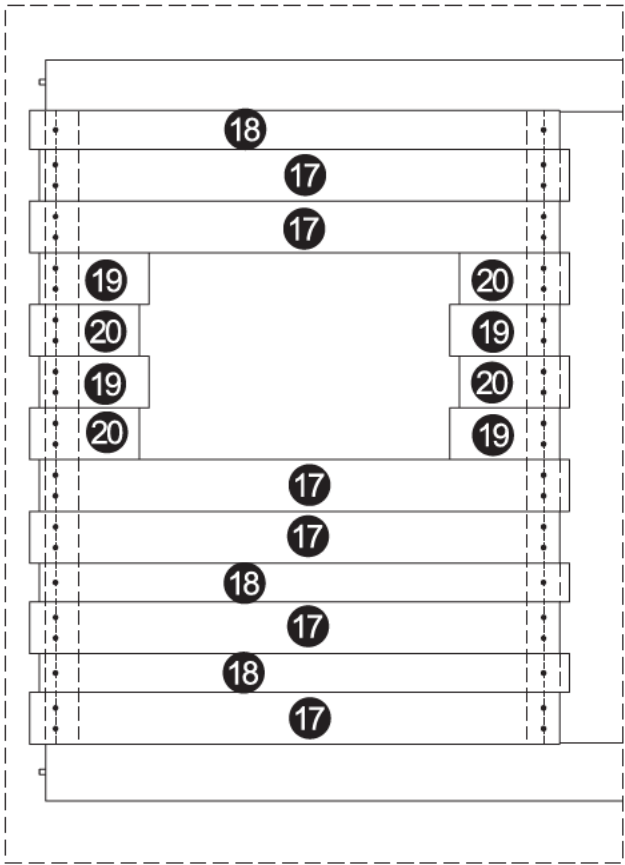
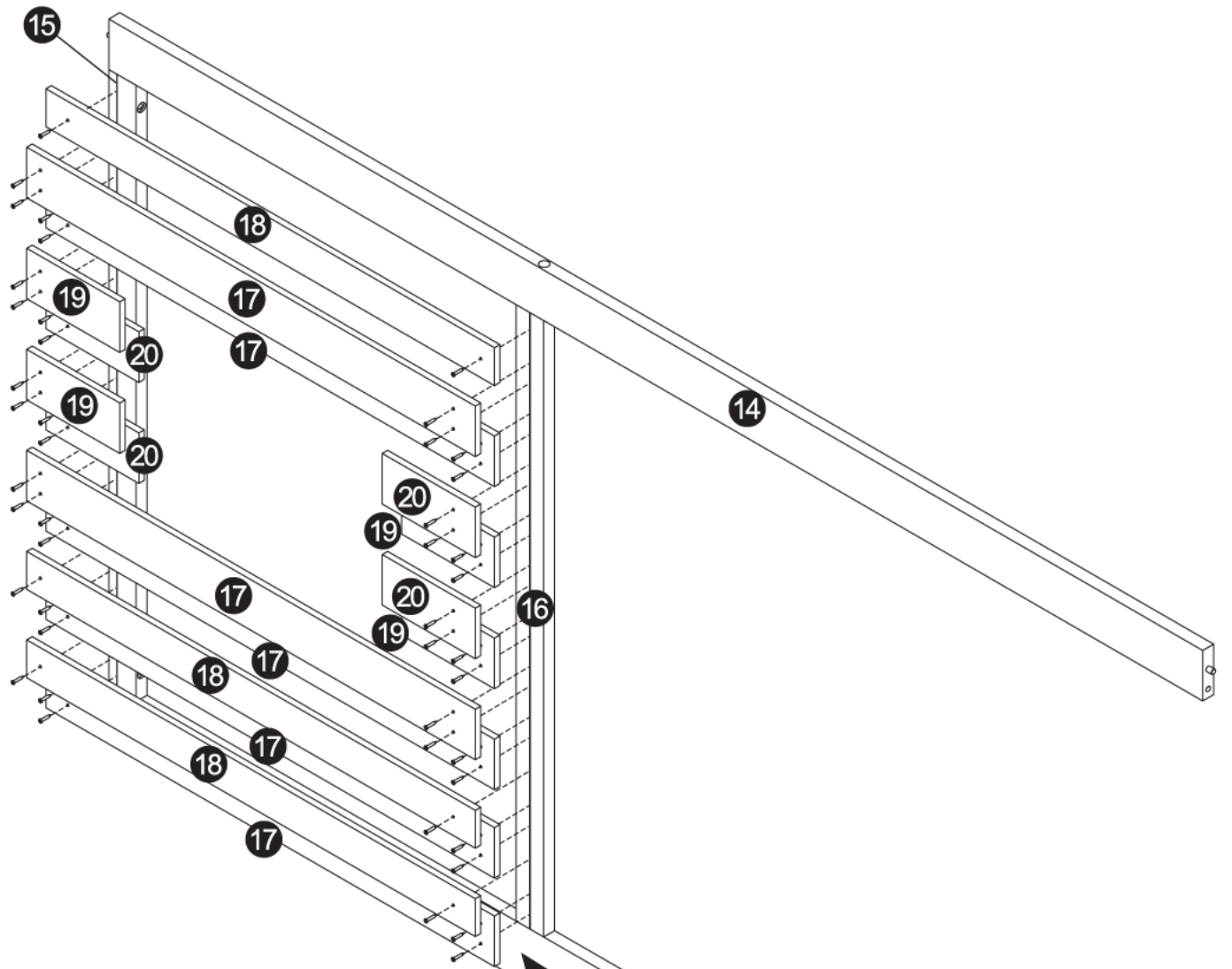
16

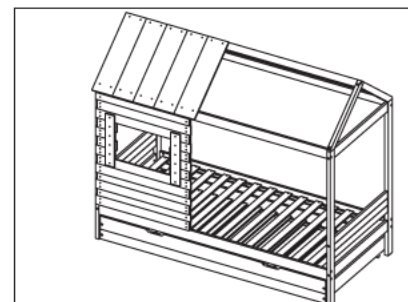
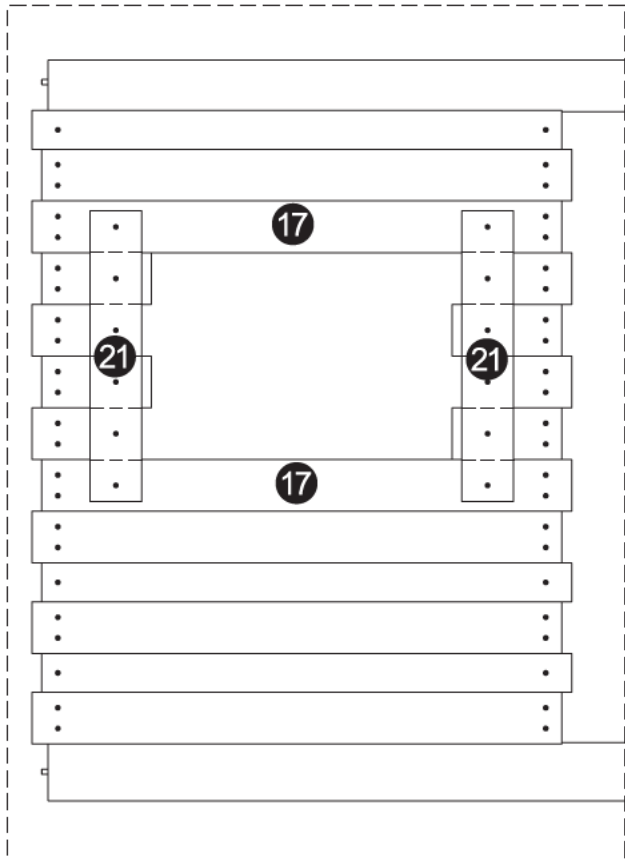
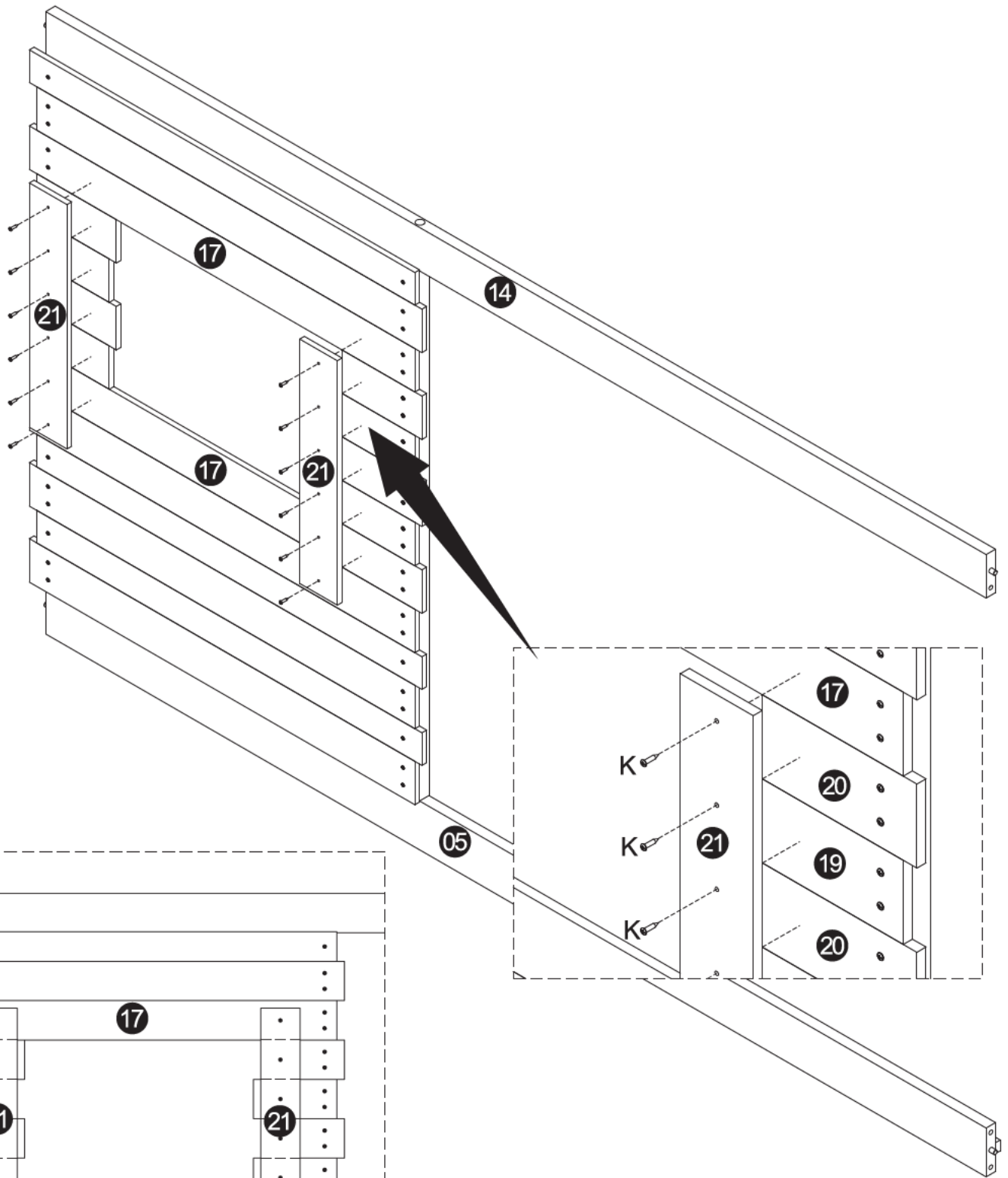
05

E




E

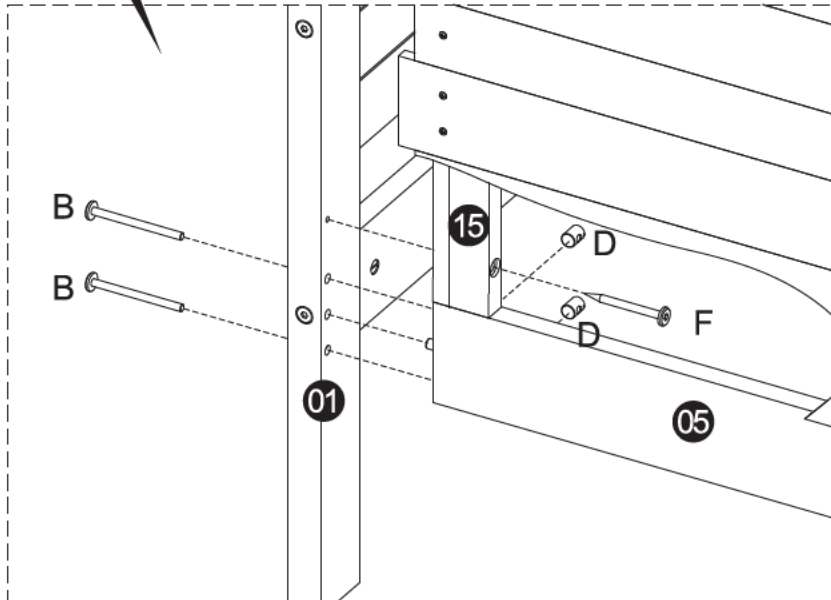
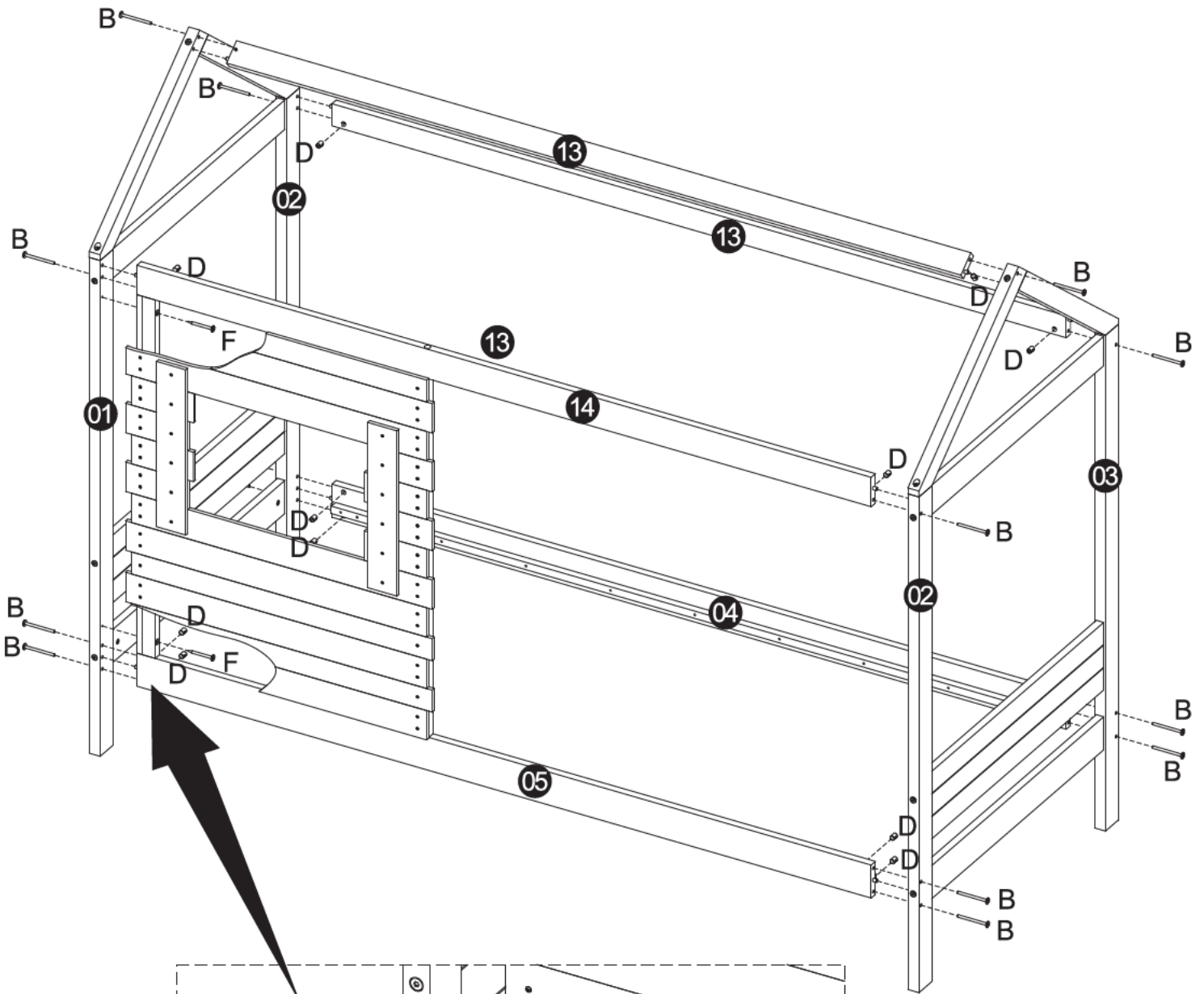


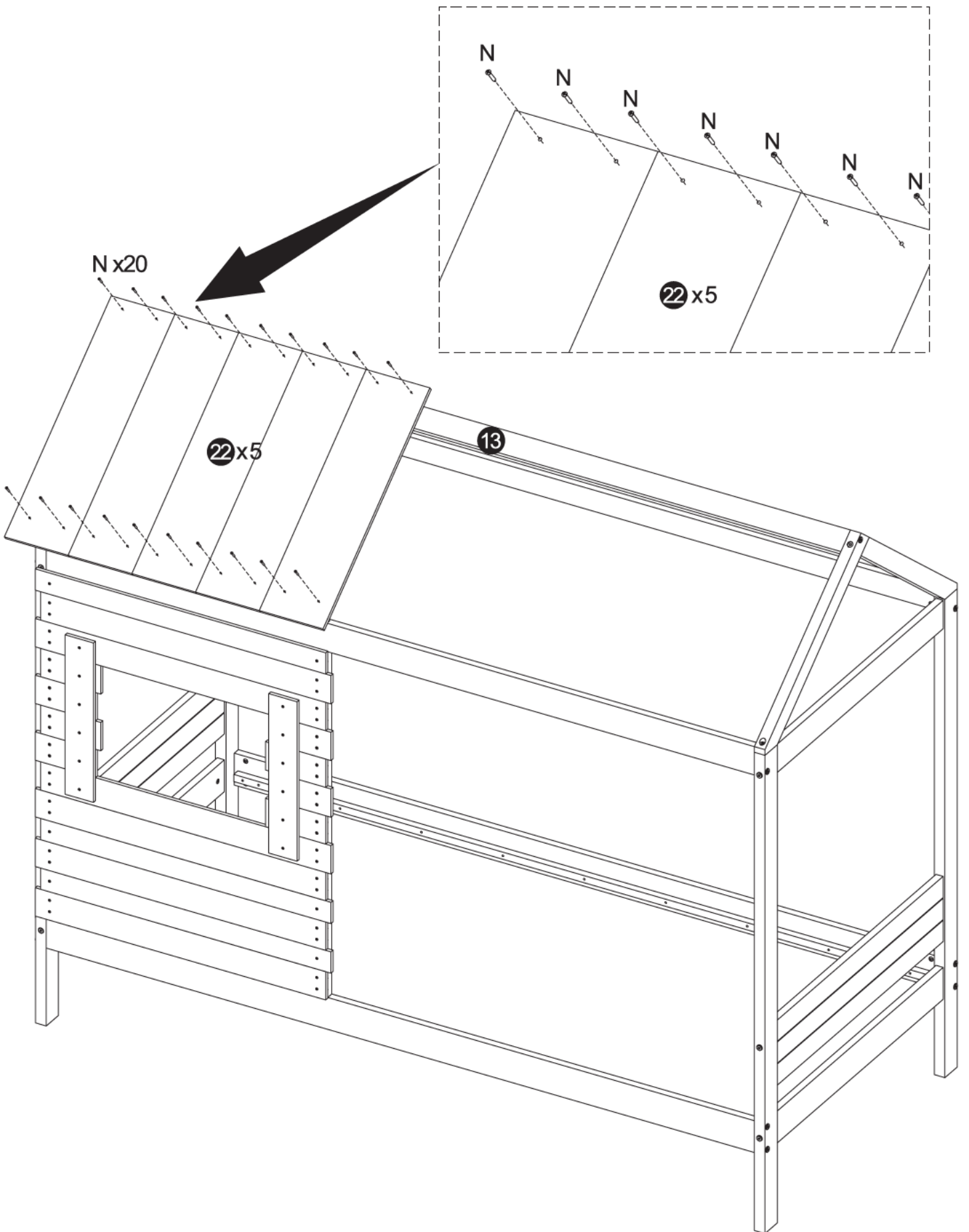


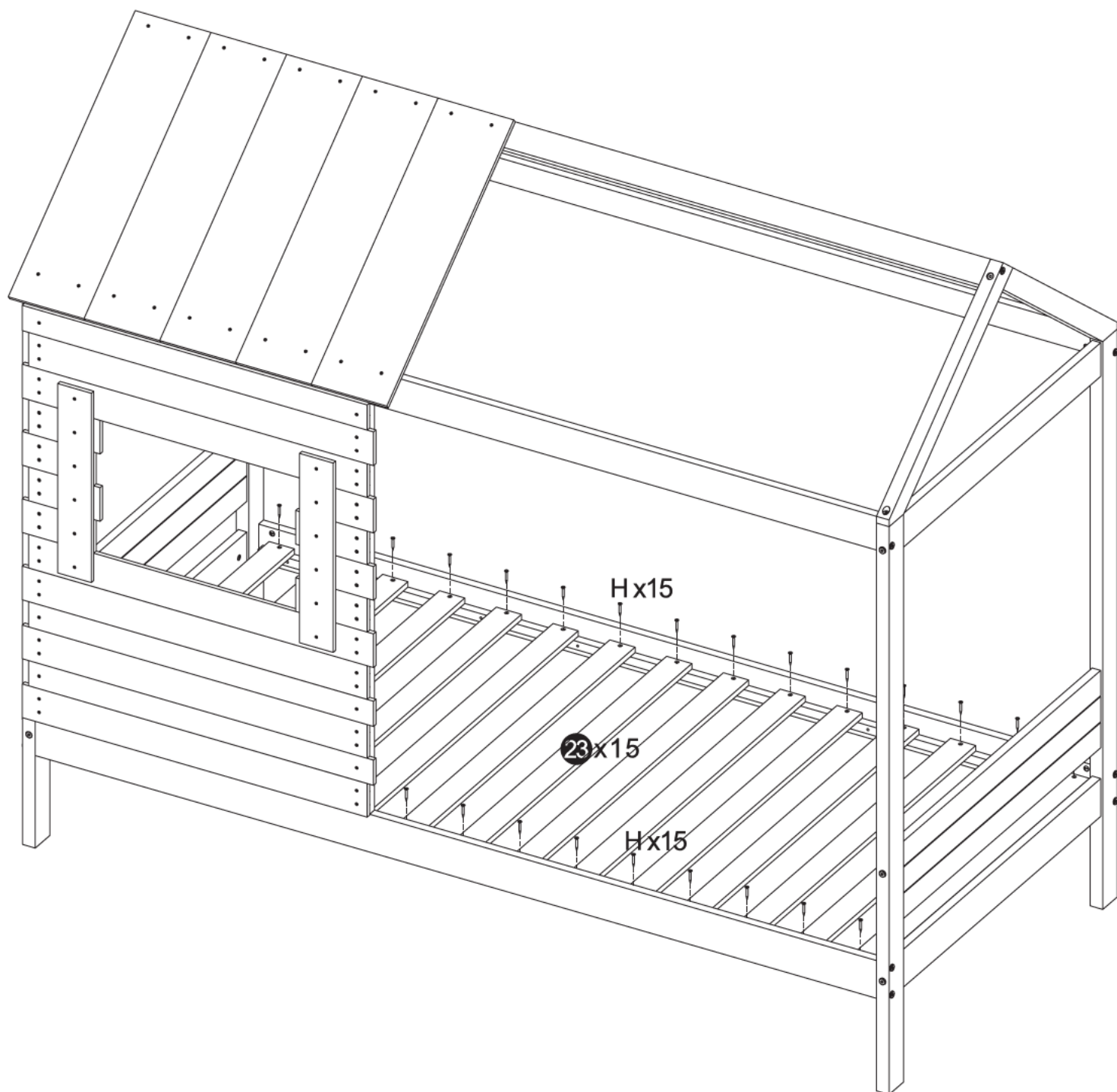


08

B		M6x70	14
D			14
F		Ø6x70	2

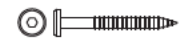






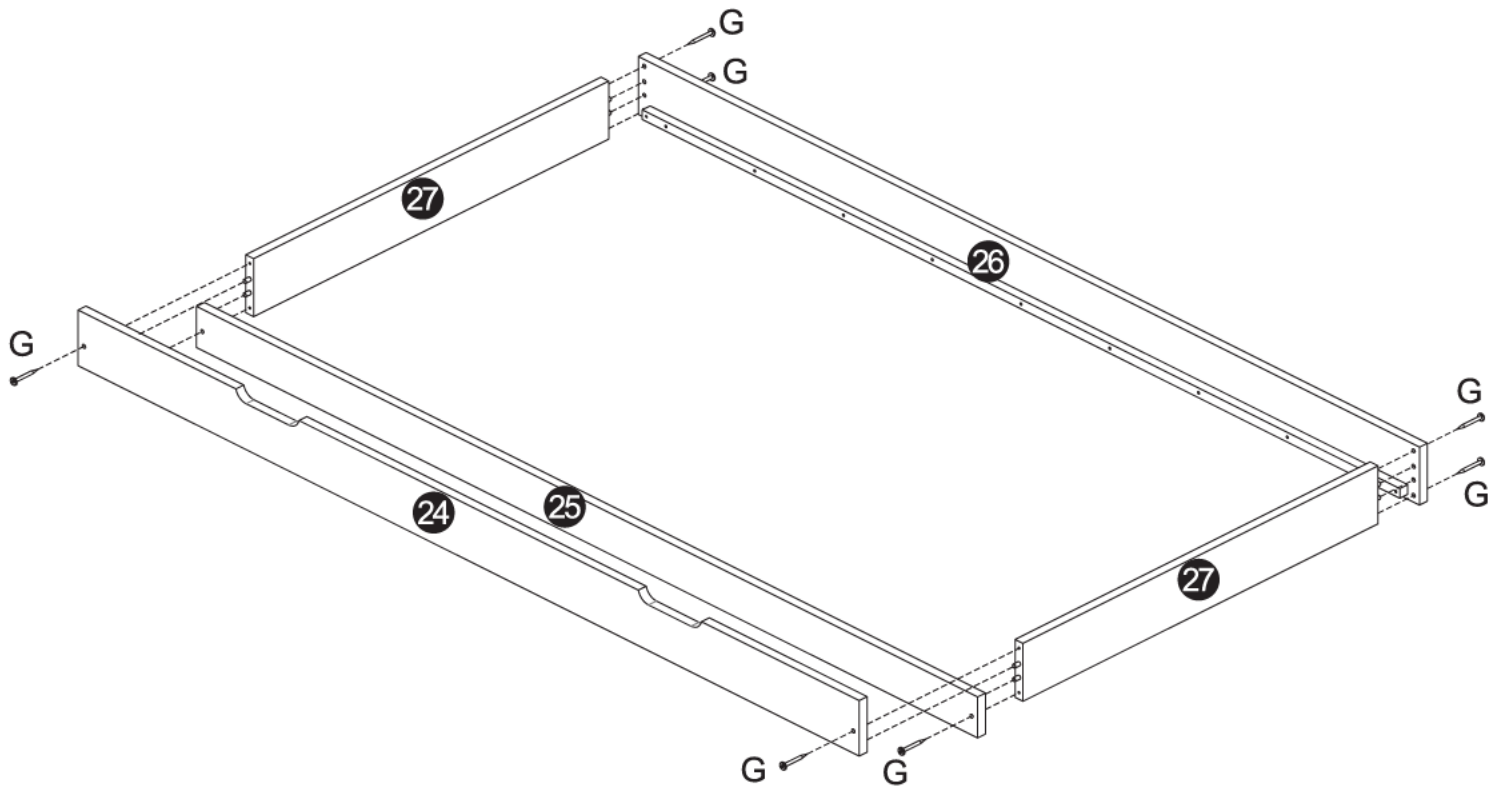
11

G



Ø6x60

8



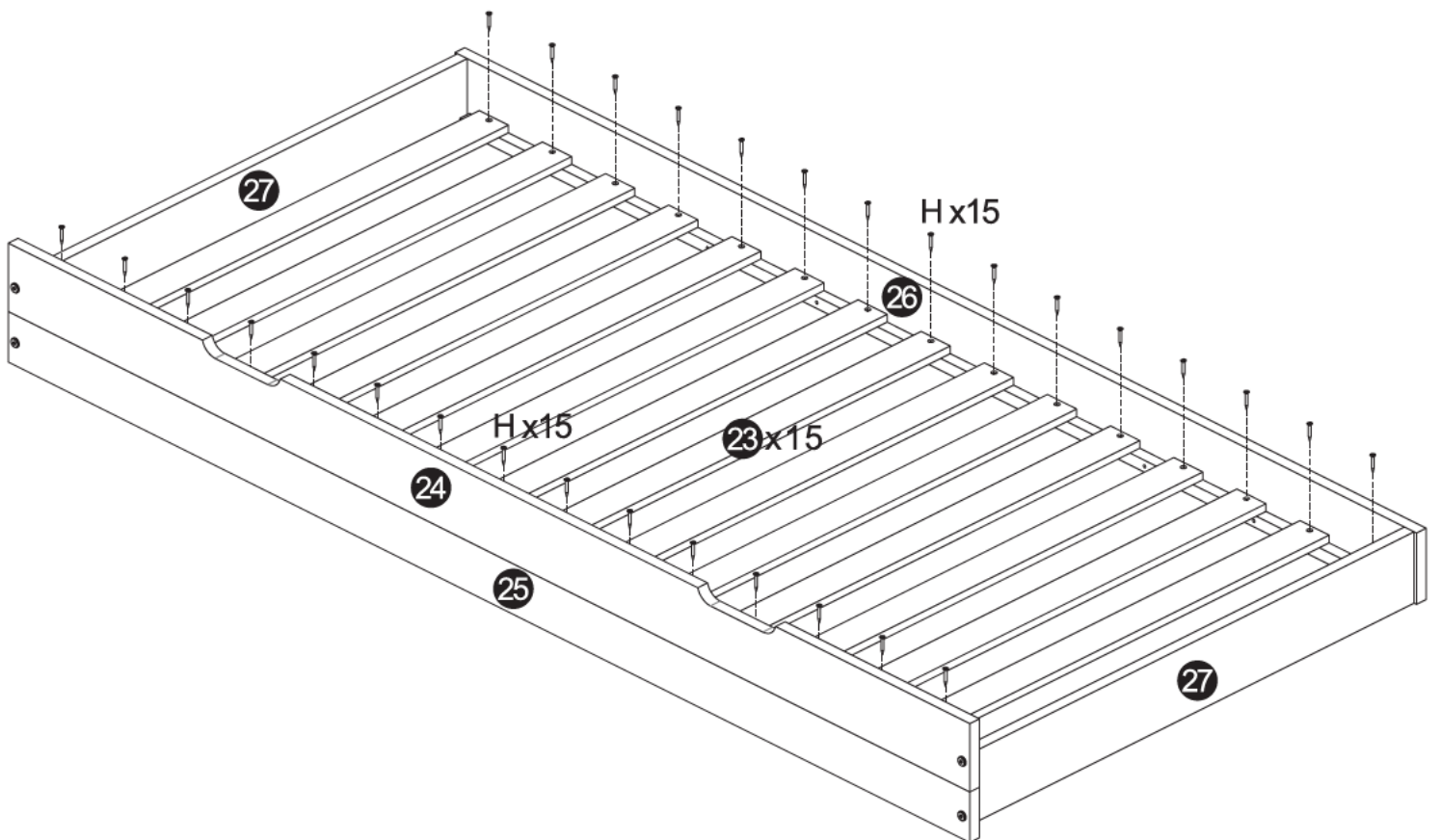
12

H





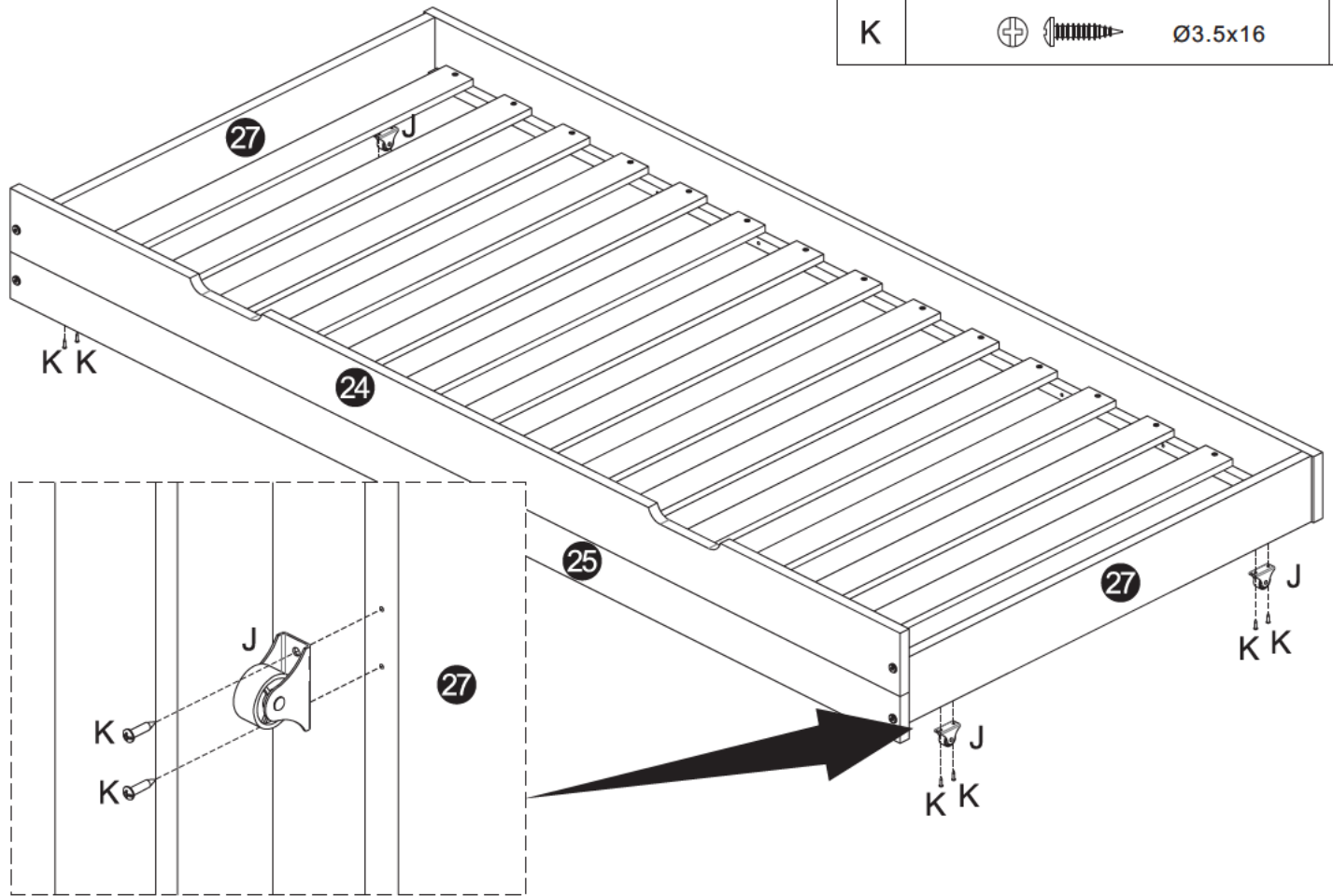
Ø4x30

30



13

J		4
K	 Ø3.5x16	8



14

