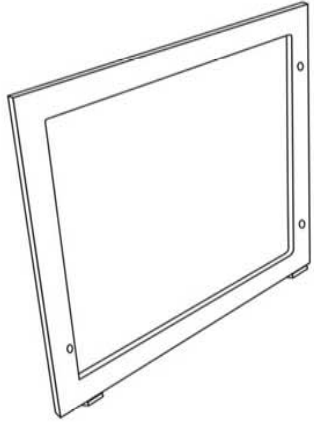
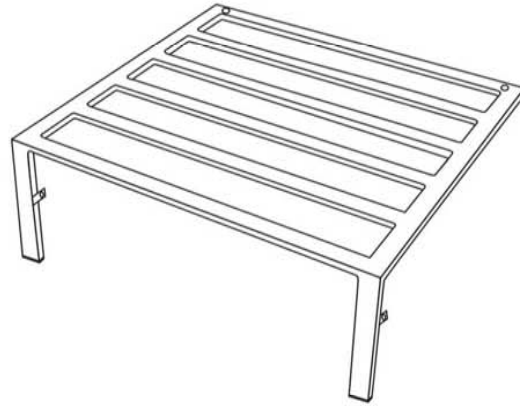


# ASSEMBLY INSTRUCTION

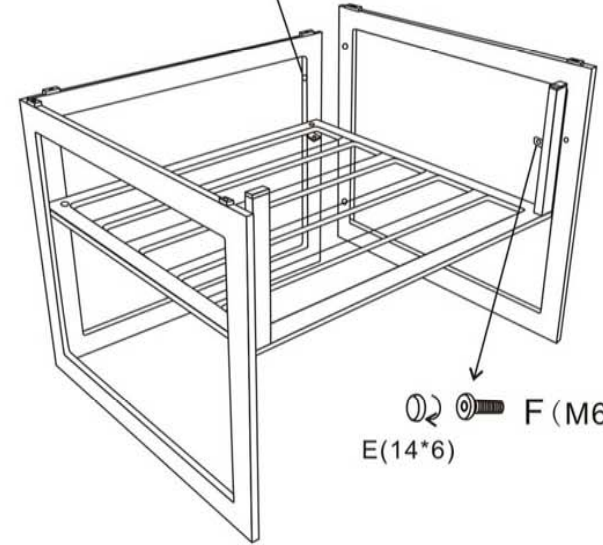
A\*2



C\*1

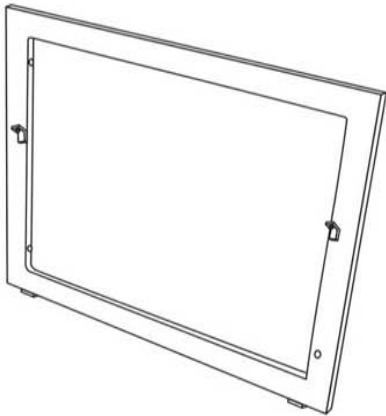


① ② ③ F (M6\*65)  
E(14\*6)

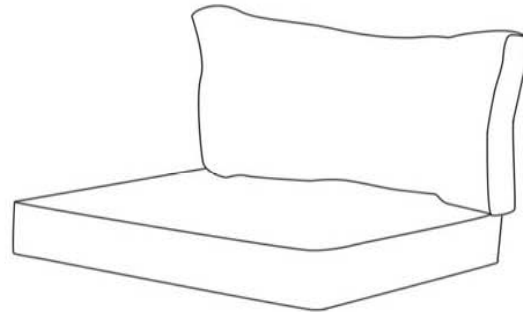


① ② ③ F (M6\*15)  
E(14\*6)

B\*1



D\*1



D\*4 (M6\*15)



E\*4 (M6\*65)



F\*8(14\*6)



G\*1

