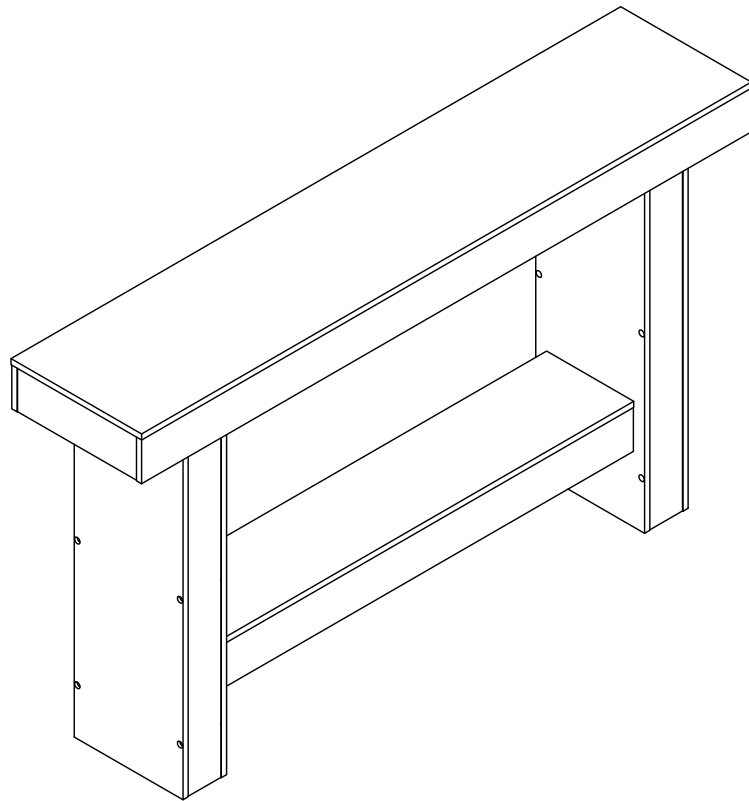
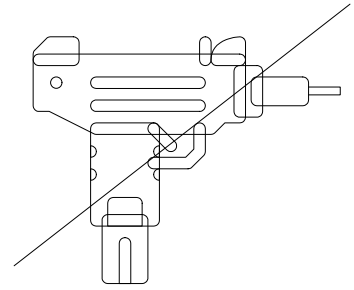
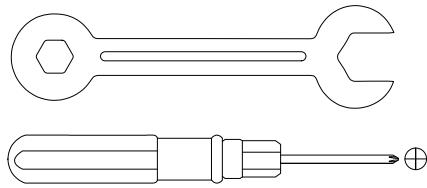
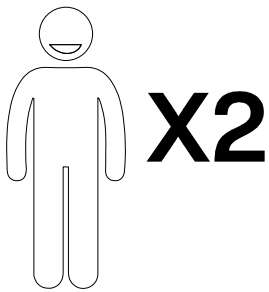


Assembly Instructions



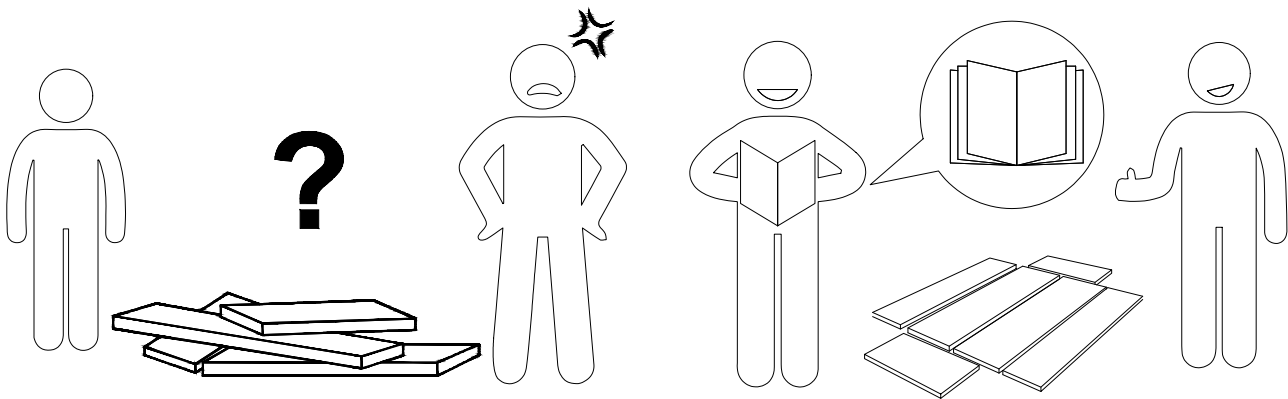
Console Tables

Model No.



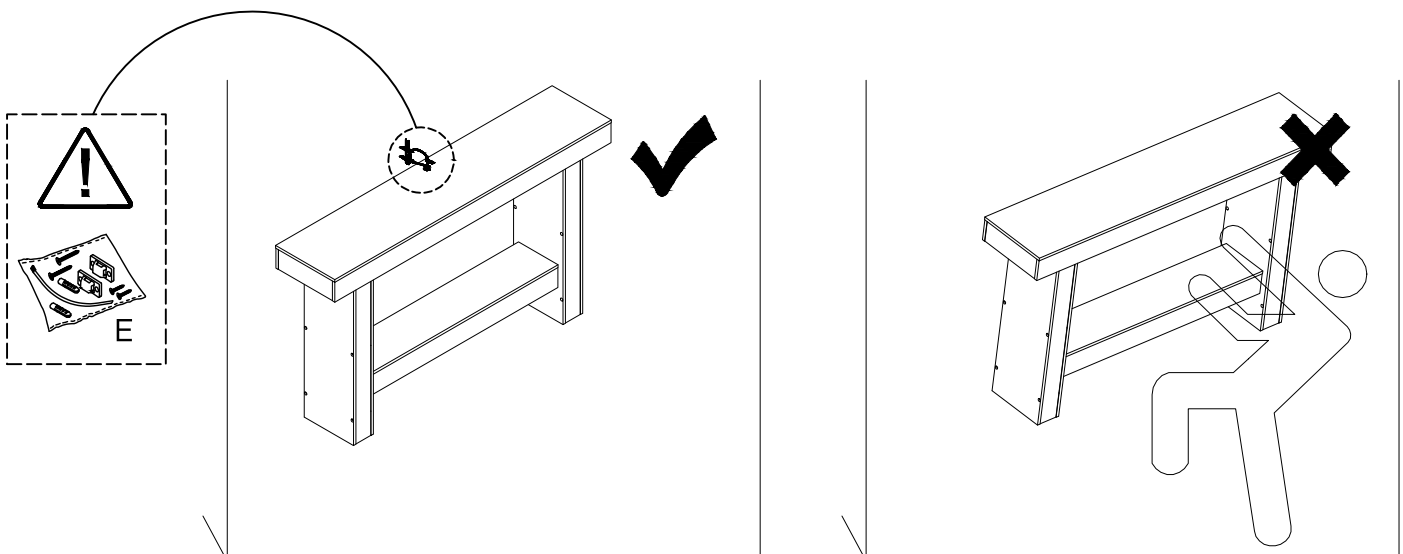
We recommend using hand tools for assembly.

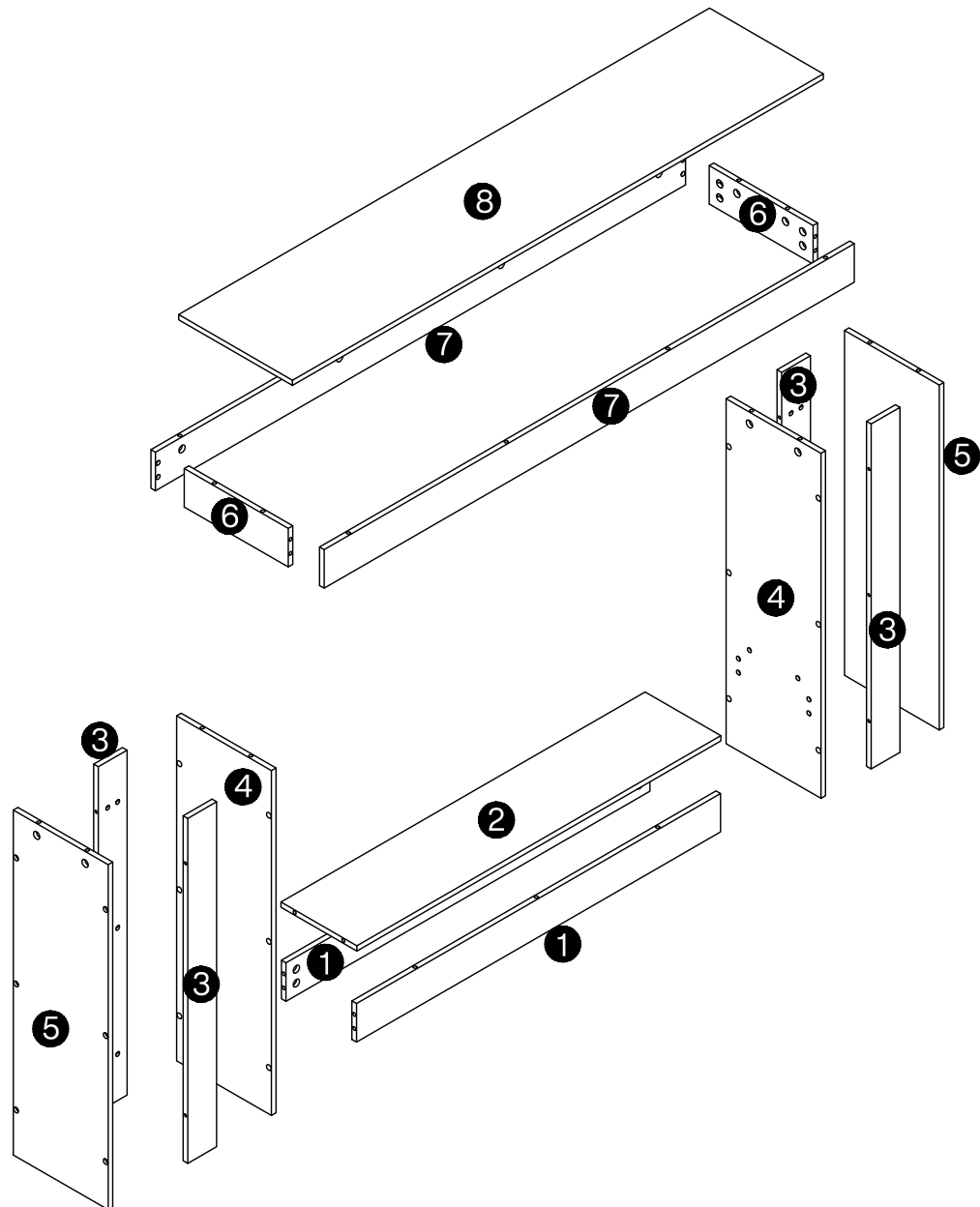
If an electric screwdriver is used, reduce power and torque to avoid damage to the product.



Install the Anti-Tip Straps

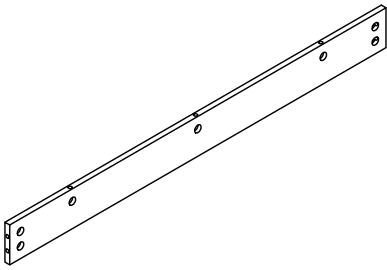
Using the anti-tip straps can reduce the risk of tipping over, but can not eliminate it.



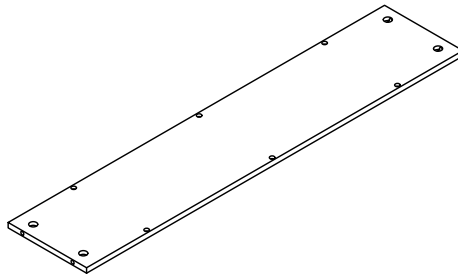


 Caution

Ensure that all pieces are included. Most panels are labeled or marked along the edges of the material. If you encounter any damaged or missing parts, please contact us for a free replacement.



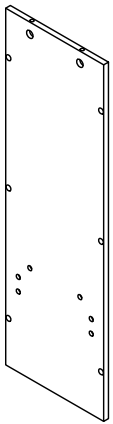
1 2pcs



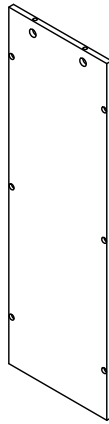
2 1pc



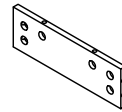
3 4pcs



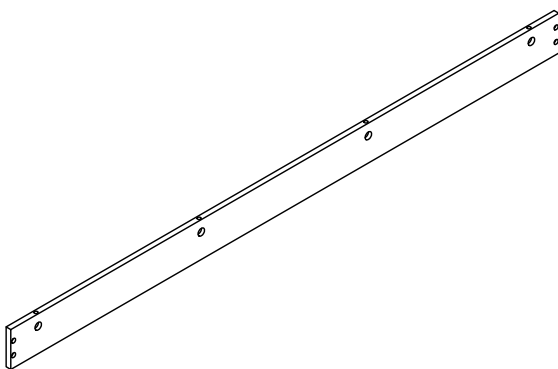
4 2pcs



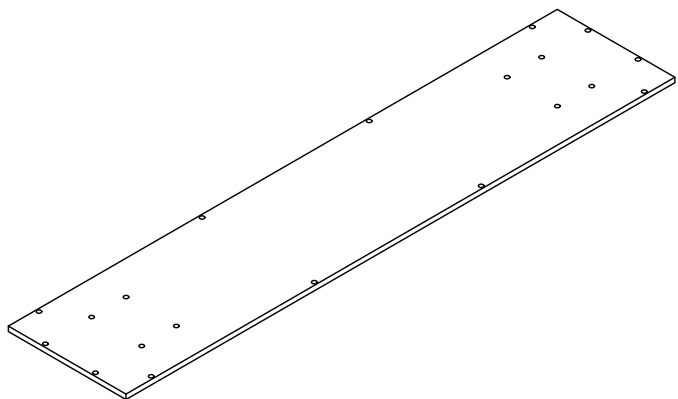
5 2pcs



6 2pcs


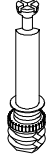












7 2pcs



8 1pc

Hardware List

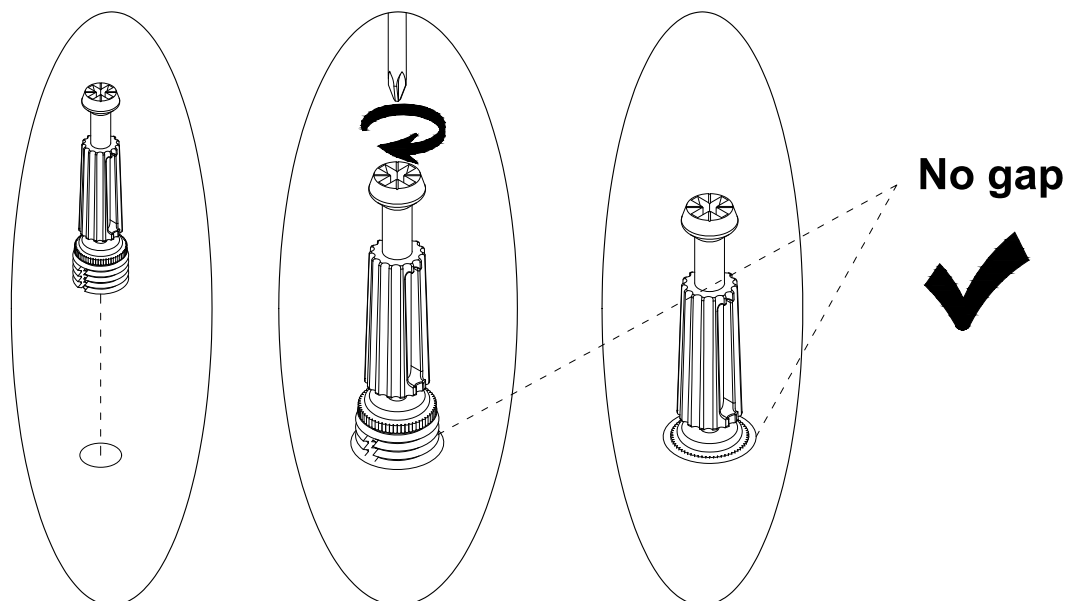
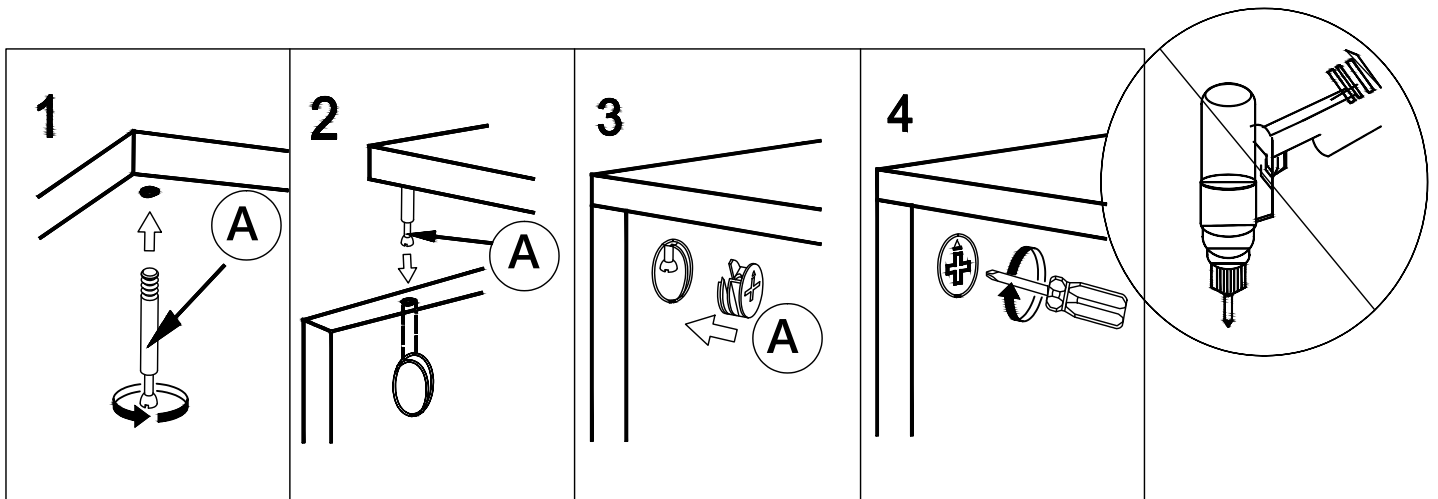
  M6X35MM  46pcs	 Ø3.5X45MM  24pcs	  24pcs	  8pcs	  1pcs	 Screwdriver
--	---	---	--	--	--

Installation of the Eccentric Connecting Rod

1. Read each step carefully before beginning the assembly, and ensure each part is assembled in the correct order. Incorrect assembly order can make the process difficult.

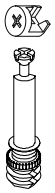
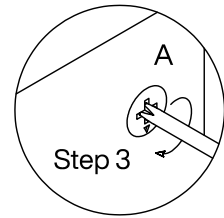
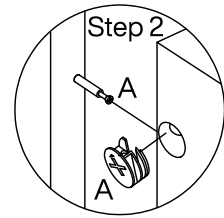
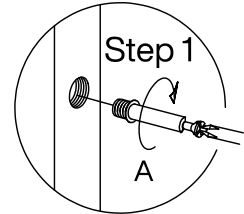
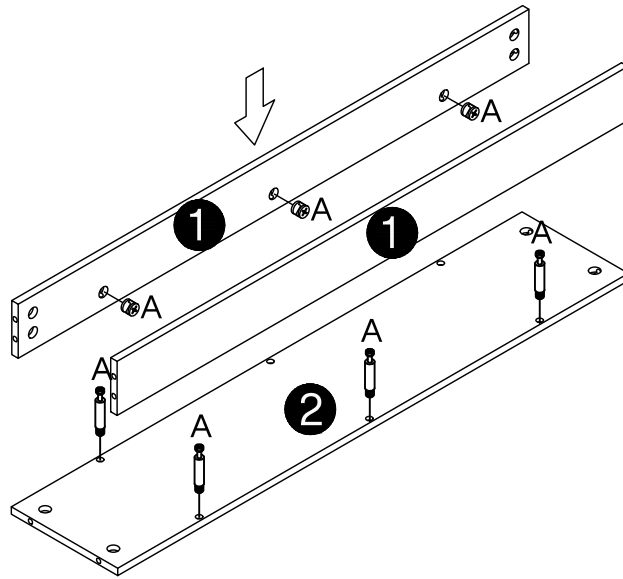
2. Do not use an electric screwdriver to assemble the parts.

3. Insert the connecting rod into the hole. For proper installation of the eccentric wheel, ensure the arrow on the wheel faces outward, then tighten securely.



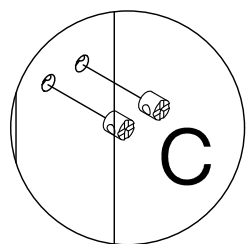
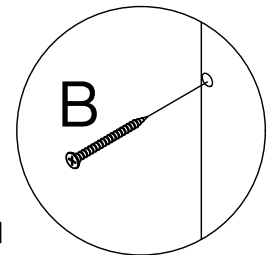
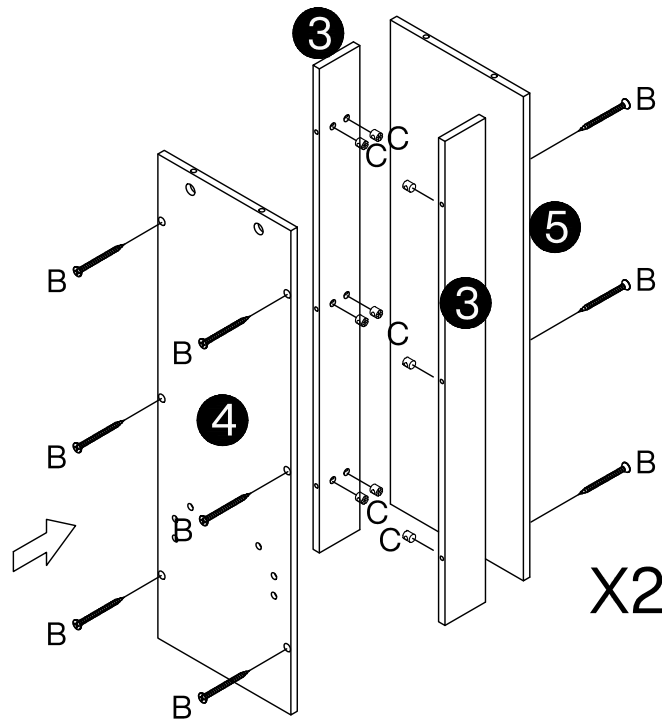
(Note that accessory A is a whole, do not pull the rubber part, otherwise it will cause instability)

1



A
6 pcs

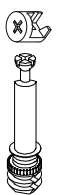
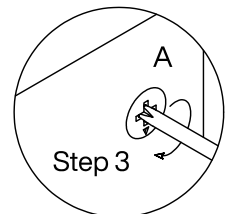
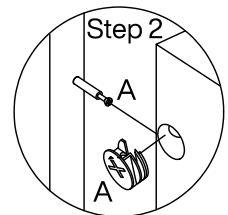
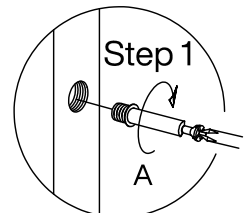
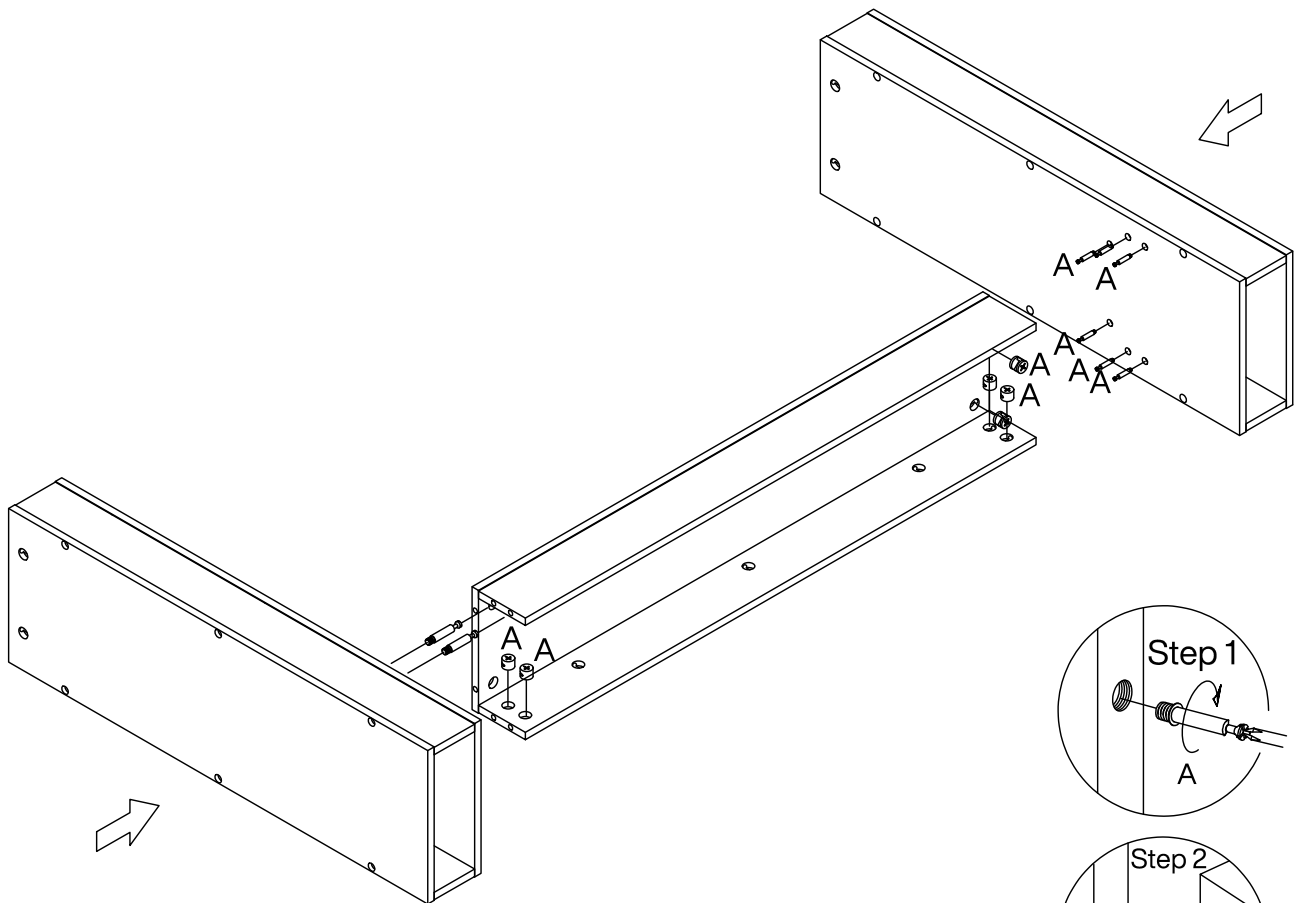
2



B
24 pcs

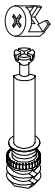
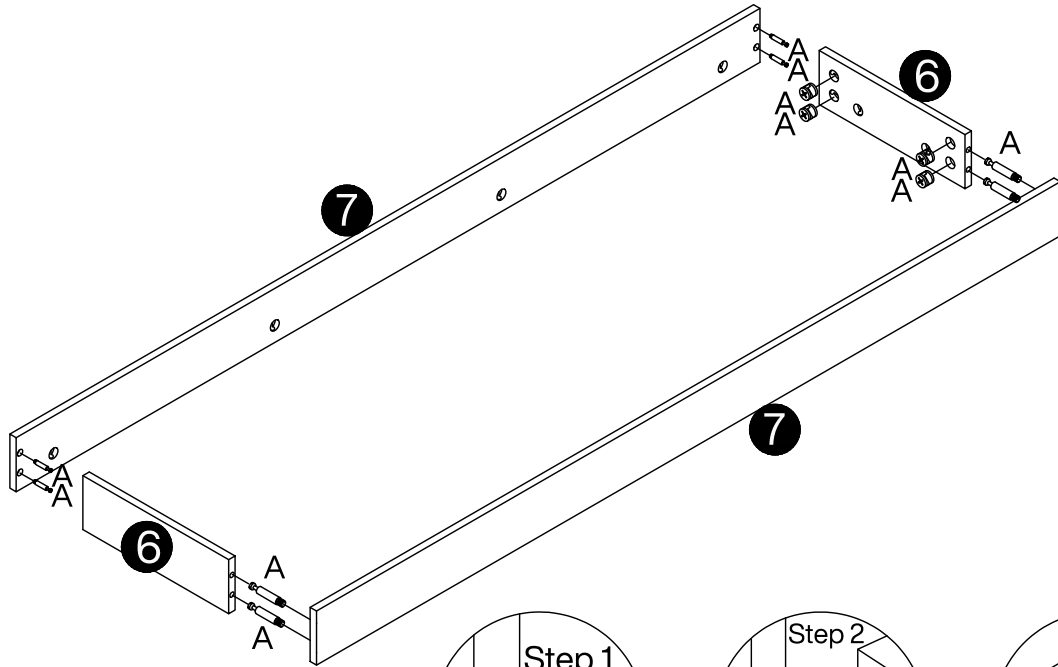
C
24 pcs

3

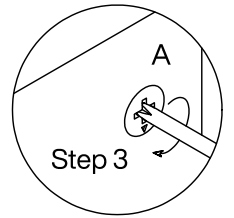
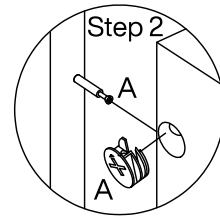
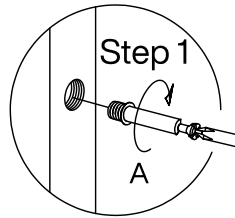


A
12 pcs

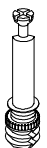
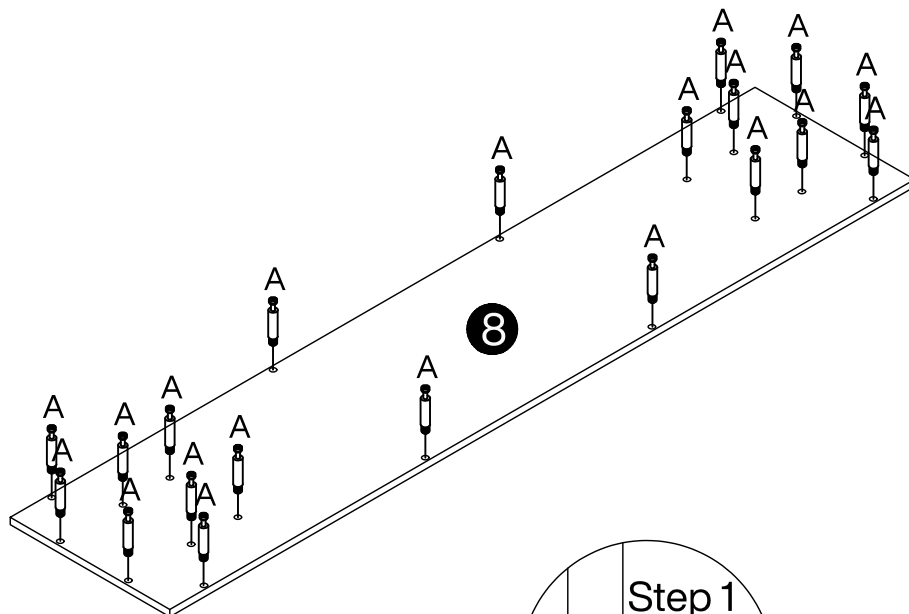
4



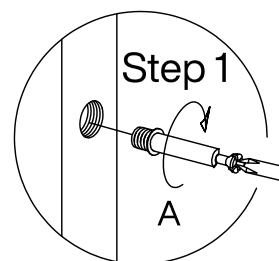
A
8 pcs



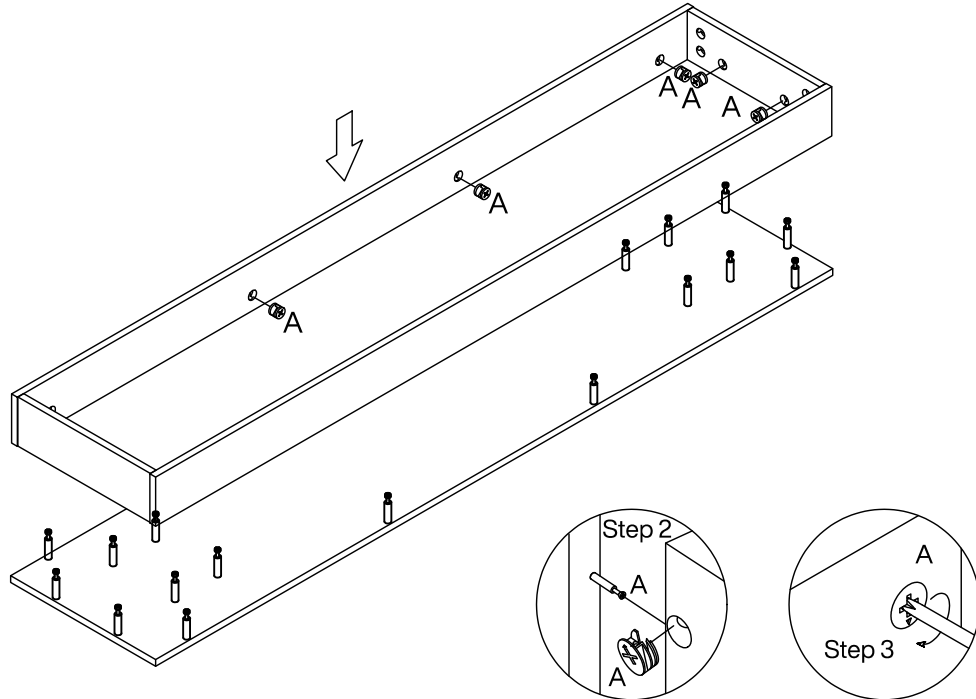
5



A
20 pcs



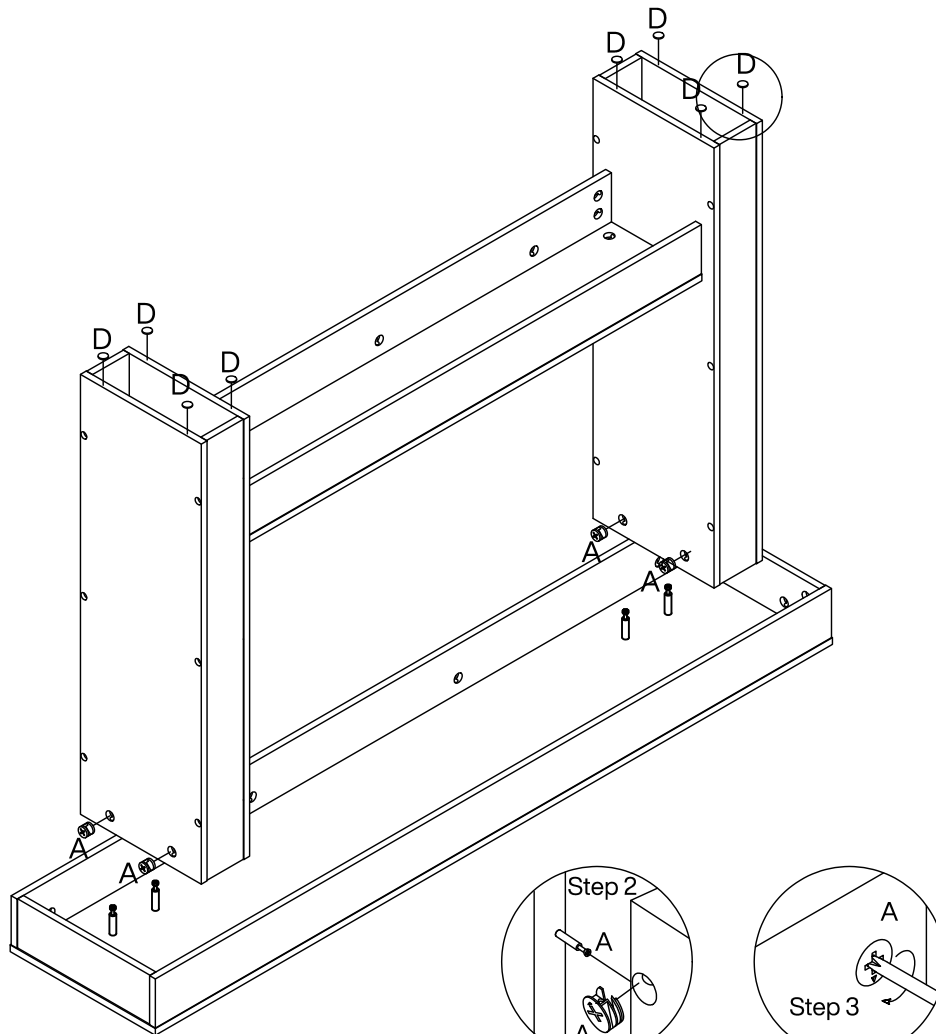
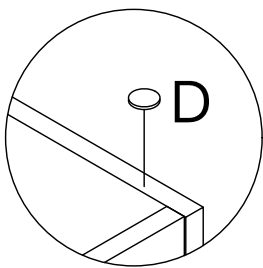
6



A

12 pcs

7



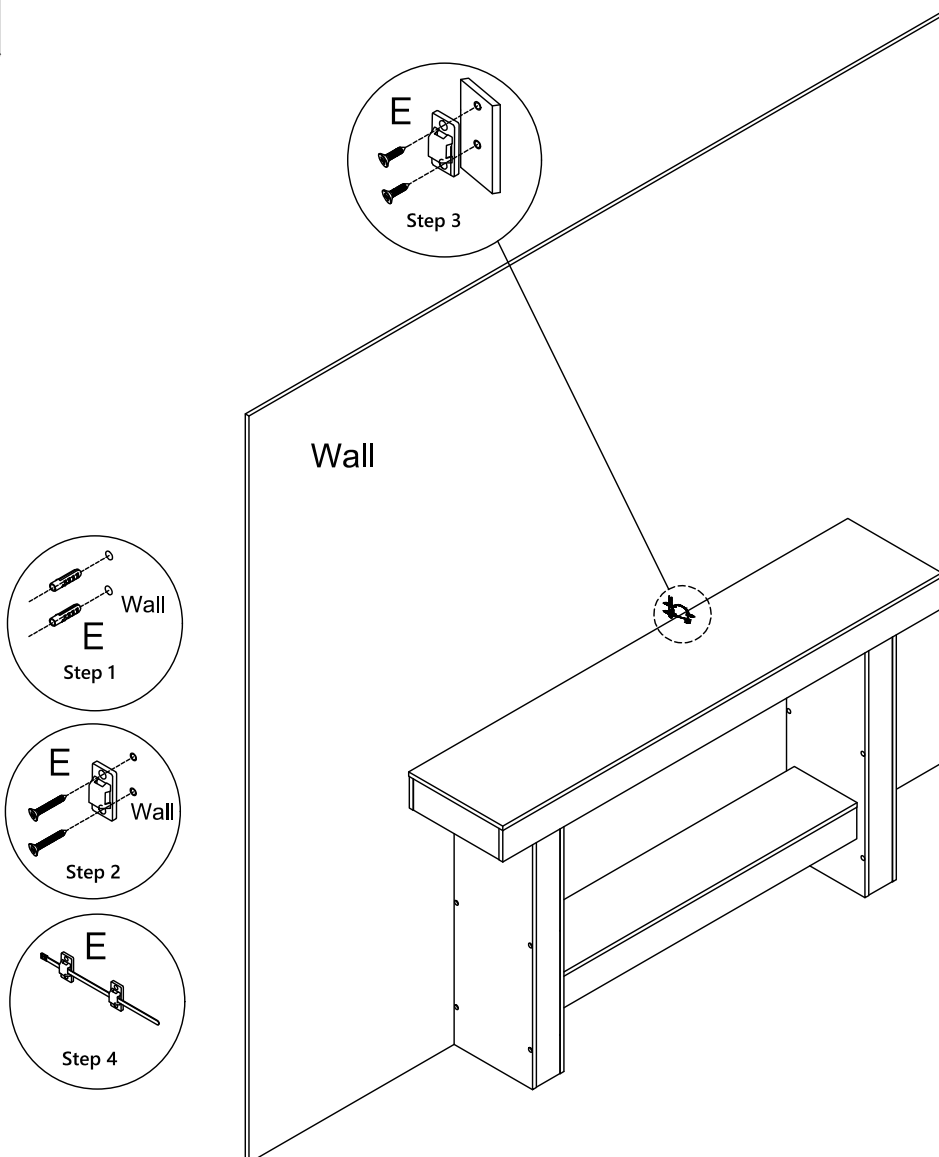
A

D

8 pcs

8 pcs

8

E
1pc

Installation Steps:

1. Drill a hole in the wall and insert the expansion bolt into the hole.
2. Use self-tapping screws to secure Part A to the wall.
3. Position the furniture, then use self-tapping screws to attach Part E to the corresponding position on the furniture.
4. Thread one end of the tape through the two parts, then securely connect both ends by rotating the nut clockwise.

Note:

Before installing the anti-tip kit, determine the placement of the furniture and use a stud finder to locate the centerline of the studs.

For concrete walls, ensure there are no steel reinforcements inside the wall.

(Anti-tipping accessories are not mandatory. You can consider whether to install them according to your home decoration.)