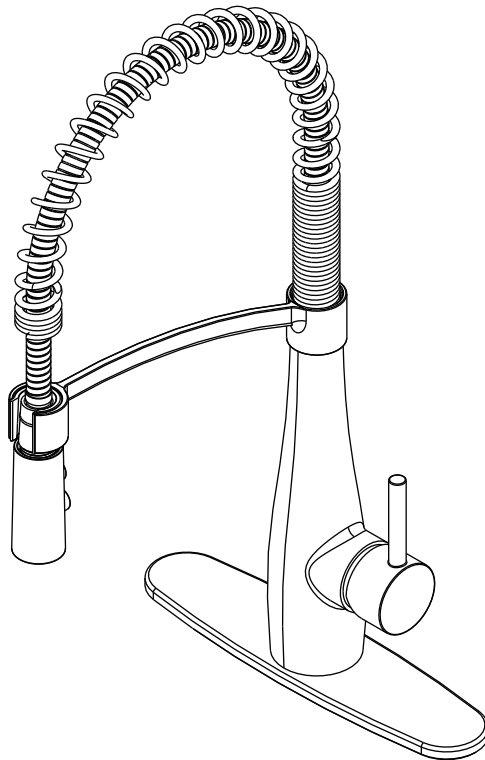


HomLUX

INSTALLATION MANUAL

Single-Handle Spring Neck Kitchen Faucet



D89200440E

Business Name: FDC Development LLC

Business Address:

6550 Jimmy Carter Blvd Suite B

Peachtree Corners GA 30071 US

Web: www.homluxproducts.com

Any query please feel free to email our service team:

help@homluxproducts.com

Thanks for choosing HomLux.

Please keep the box and packaging materials until your product is completely installed. If you have any questions, require technical assistance or have any problems with your product:

 ***DO NOT RETURN TO STORE***

***Please contact our Customer Service Team
help@homluxproducts.com***

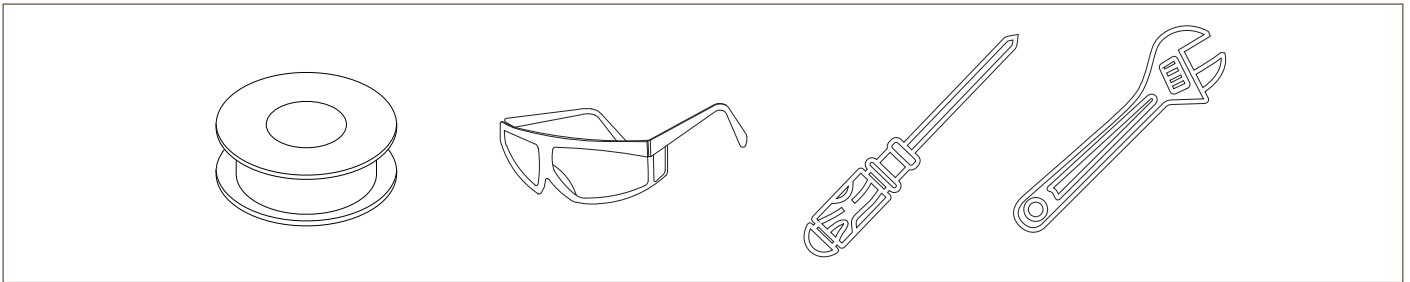
Have the model number available and retain a copy of your receipt with purchase date for reference.

If for any reason this product does not meet your expectations, please be sure to repack this product in the original box and packaging material to avoid damage during transit.

Prior to Installation:

- Make sure you have all necessary parts by checking the diagram and parts list. If any part is missing or damaged, please contact HomLux Customer Service.
- Turn off the hot and cold water supply at the angle stops and turn on the old faucet to release any built up pressure. Remove existing faucet. Clean sink or countertop to remove any debris, plumber's putty, or silicone.
- Flush angle stops to release any debris prior to installation.
- Pre-drilled hole size requirement: 1- 3/8" (min) – 1-1/2"(max)
- Max countertop thickness: 1- 1/2"

• You may need



• Cleaning and Care

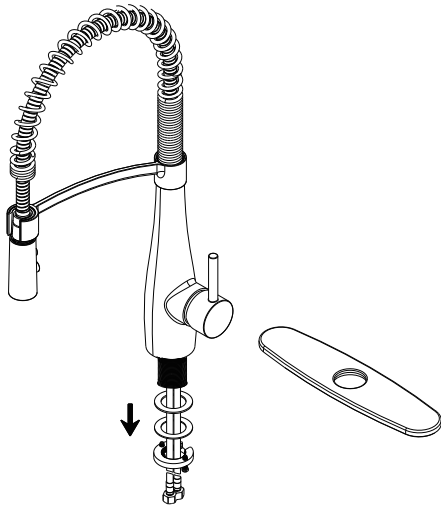
Care should be given to the cleaning of this product. Although its finish is extremely durable, it can be damaged by harsh abrasives or polish. To clean, simply wipe gently with a damp cloth and blot dry with a soft towel.

• Read all instructions prior to installation

CAUTION

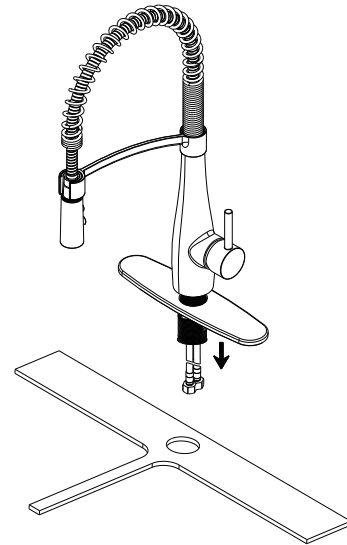
Failure to read these instructions prior to installation may result in personal injury, property damage, or product failure. Manufacturer assumes no responsibility for product failure due to improper installation.

Installation Guide



STEP 1: REMOVE MOUNTING HARDWARE

Remove the mounting screws(29-5), mounting nut(29-4), metal washer(29-3) and rubber washer(29-2) from the shank(29-1).



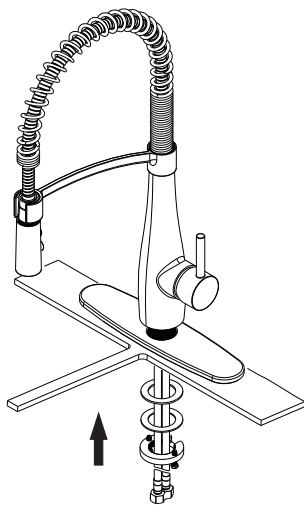
STEP 2: FAUCET INSTALLATION FOR THREE-HOLE INSTALLATION

Install deck plate and place silicone sealant (optional).

For single-hole installation: Install faucet directly.

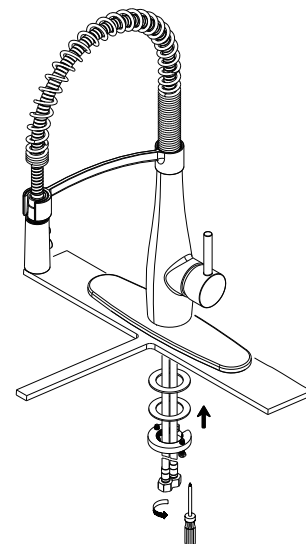
Pre-drilled hole size: 1-3/8" (min) – 1-1/2" (max)

Max countertop thickness: 1-1/2"



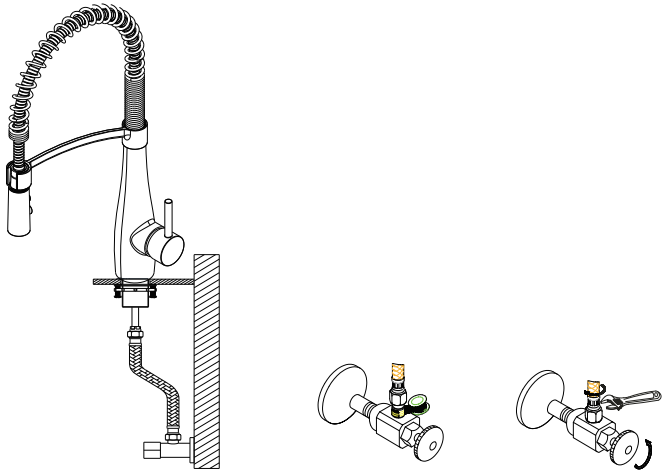
STEP 3: INSTALL FAUCET BODY AND MOUNTING HARDWARE

Insert faucet body into hole in countertop. Install the rubber washer(29-2), metal washer(29-3), mounting nut(29-4) and mounting screws(29-5) in order from underneath the countertop to the faucet.



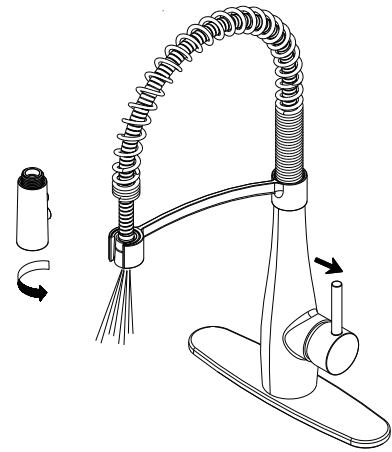
STEP 4: SECURE MOUNTING HARDWARE

Adjust direction of faucet body so that handle is on right side of faucet. Tighten mounting screws(29-5) with screwdriver until snug.



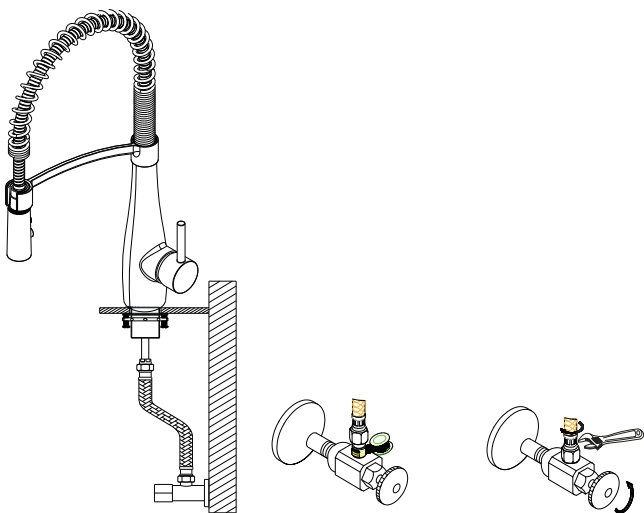
STEP 5: CONNECT WATERLINES

Connect waterlines to the hot and cold copper lines. Connect waterlines to angle stops. Apply pipe tape to avoid leakage. Tighten both ends of waterlines with a wrench until snug. Turn on hot and cold angle stops and check for leaks.



STEP 6: FLUSH SPRAY HOSE

Remove spray head(24) from spray hose. Hold tip of spray hose. Turn faucet on and let the water run for 60 seconds to flush any debris.



STEP 7: CHECK FOR LEAKS

Check for leaks at the connections. Retighten if necessary.

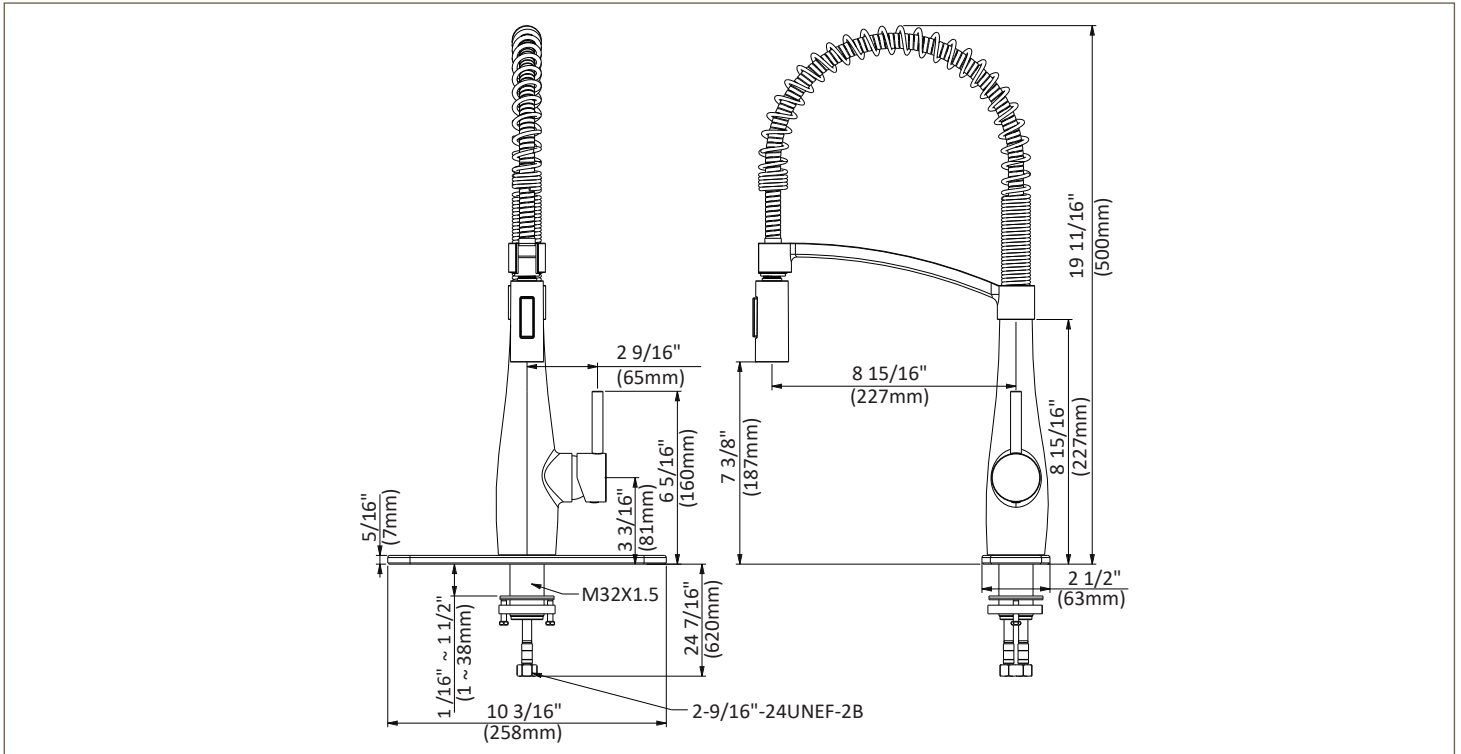
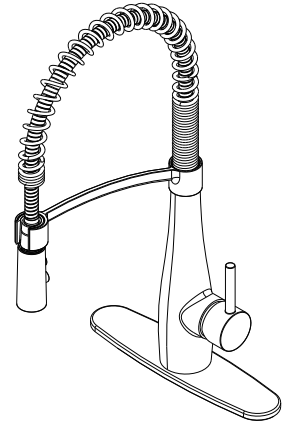
CARE & MAINTENANCE :

- *To keep the product clean & shining, follow the steps below:
1. Rinse with clean water & dry with a soft cloth
 2. Do not clean with soaps, acid polish, abrasives, or harsh cleaners
 3. Do not use cloth with a coarse surface
 4. Unscrew the aerator and clean when necessary



Specification

Single-Handle Spring Neck Kitchen Faucet



• STANDARD SPECIFICATIONS

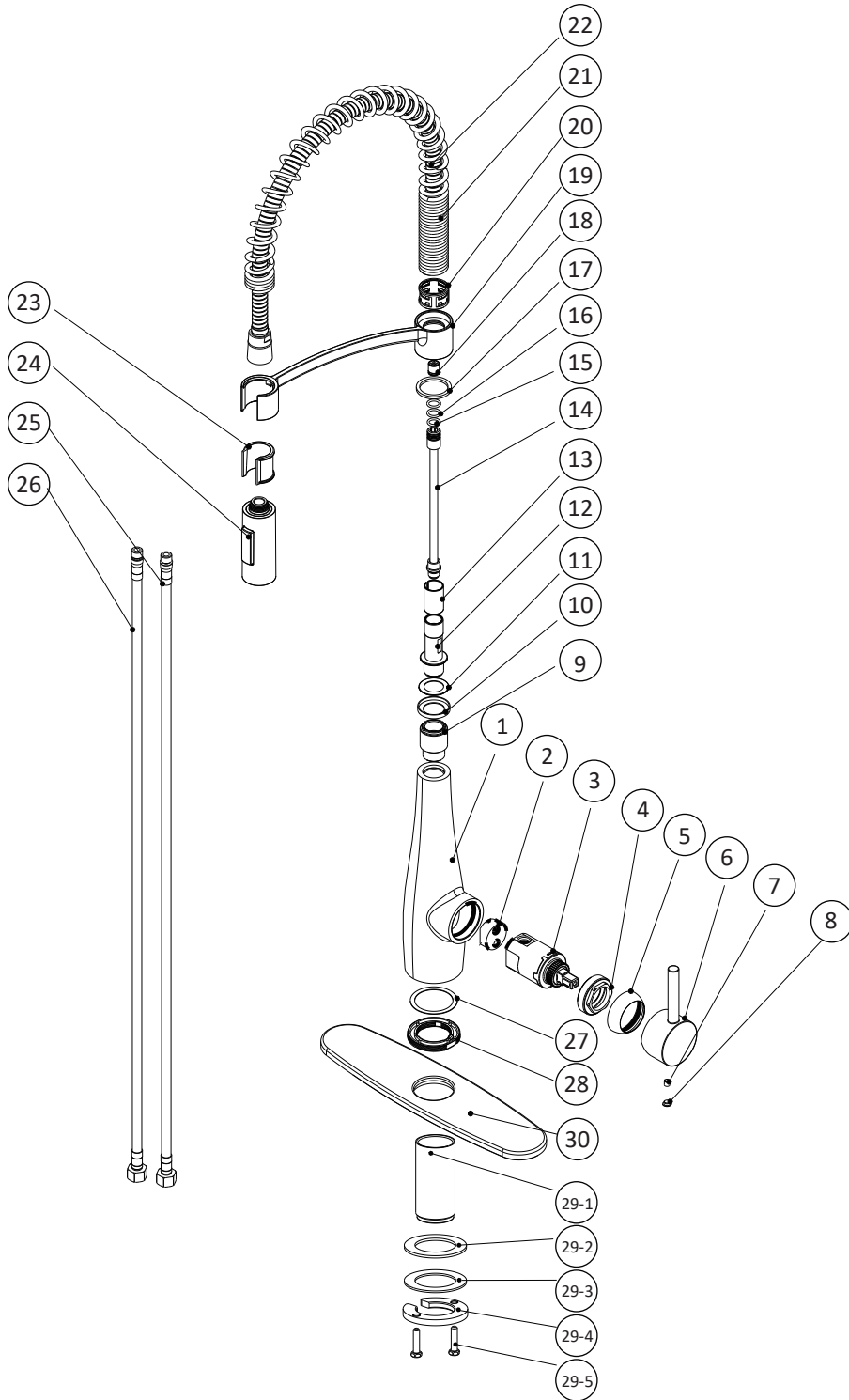
HomLux faucets offer smooth operation, easy movement, self retraction, and secure docking

- 2.2 GPM (8.3 L/min) at 60 PSI
- Pull down spray with braided hose
- Two-function wand; Aerated stream or spray
- Requires 1 or 3 hole sink
- Spout rotates 120°
- Ceramic valve for lifetime drip-free operation
- Zinc alloy body, zinc alloy handle, stainless steel spring

• CERTIFICATION

- IAPMO Certified: ASME A112.18.1/CSA B125.1

Replacement Part List



1	Shell Body
2	Inner Body
3	Cartridge
4	Lock Kit
5	Cap
6、7、8	Handle Kit
9-18	Spout Assembly
19、20、23	Arm Kit
21	Spring
22	Spray Hose
24	Spray Head
25、26	Hot&Cold Waterlines
27、28	Lock Kit
29-1	Shank
29-2	Rubber Washer
29-3	Metal Washer
29-4	Mounting Nut
29-5	Mounting Screw
30	Deck Plate

Limited Lifetime Warranty

•Parts and Finish

All parts (other than electronic parts and batteries) and finishes of HomLux faucets purchased from authorized HomLux sellers are warranted to the original consumer purchaser to be free from defects in material and workmanship for as long as the original consumer purchaser owns the home in which the faucet was first installed. For commercial purchasers, (a) the warranty period is ten (10) years for multi-family residential applications and (b) five (5) years for all other commercial applications, in each case from the date of original purchase. For purposes of this warranty, the term "multi-family residential application" refers to the purchase of the faucet from an authorized HomLux seller by a purchaser who owns but does not live in the residential dwelling in which the faucet is initially installed, such as in a rented or leased single unit or multi-unit detached home (duplex or townhome), or a condominium, apartment building or community living center. The following installations are not considered multi-family residential applications, are excluded from the 10-year warranty and are subject to the 5-year warranty: industrial, institutional or other business premises, such as a dormitory, hospitality premises (hotel, motel or extended stay location), airport, educational facility, long- or short-term healthcare facility (hospital, rehabilitation center, nursing, assisted or staged-care living unit), public space or common area.

Electronic parts (other than batteries), if any, of HomLux faucets are warranted to the original consumer purchaser to be free from defects in material and workmanship for five (5) years from the date of original purchase or, for commercial purchasers, for one (1) year from the date of original purchase. No warranty is provided on batteries.

•What We Will Do

HomLux will repair or replace, free of charge, during the applicable warranty period (as described above), any part or finish that proves defective in material and/or workmanship under normal installation, use and service. If repair or replacement is not practical, HomLux may elect to refund the purchase price in exchange for the return of the product. These are your exclusive remedies.

•What Is Not Covered

Because HomLux is unable to control the quality of HomLux products sold by unauthorized sellers, unless otherwise prohibited by law, this warranty does not cover HomLux products purchased from unauthorized sellers.

Any labor charges incurred by the purchaser to repair, replace, install or remove this product are not covered by this warranty. HomLux shall not be liable for any damage to the faucet resulting from reasonable wear and tear, outdoor use, misuse (including use of the product for an unintended application), freezing water, abuse, neglect or improper or incorrectly performed installation, maintenance or repair, including failure to follow the applicable care and cleaning instructions. HomLux recommends using a professional plumber for all installation and repair of faucets. We also recommend that you use only genuine HomLux replacement parts.

•What You Must Do To Obtain Warranty Service or Replacement Parts

A warranty claim may be made and replacement parts may be obtained by contacting us by mail as follows (please include your model number and date of original purchase):

In the United States:
FDC Development LLC
6550 Jimmy Carter Blvd Suite B
Peachtree Corners GA 30071
Attention: Customer Service
help@homluxproducts.com

•Limitation on Duration of Implied Warranties.

Please note that some states/provinces (including Quebec) do not allow limitations on how long an implied warranty lasts, so the below limitations may not apply to you. TO THE MAXIMUM EXTENT PERMITTED BY APPLICABLE LAW, ANY IMPLIED WARRANTY, INCLUDING THE IMPLIED WARRANTIES OF MERCHANTABILITY AND OF FITNESS FOR A PARTICULAR PURPOSE, IS LIMITED TO THE STATUTORY PERIOD OR THE DURATION OF THIS WARRANTY, WHICHEVER IS SHORTER.

•Limitation of Special, Incidental or Consequential Damages.

Please note that some states/provinces (including Quebec) do not allow the exclusion or limitation of special, incidental or consequential damages, so the below limitations and exclusions may not apply to you. TO THE MAXIMUM EXTENT PERMITTED BY APPLICABLE LAW, THIS WARRANTY DOES NOT COVER, AND HomLux SHALL NOT BE LIABLE FOR, ANY SPECIAL, INCIDENTAL OR CONSEQUENTIAL DAMAGES (INCLUDING LABOR CHARGES TO REPAIR, REPLACE, INSTALL OR REMOVE THIS PRODUCT), WHETHER ARISING OUT OF BREACH OF ANY EXPRESS OR IMPLIED WARRANTY, BREACH OF CONTRACT, TORT, OR OTHERWISE. HomLux SHALL NOT BE LIABLE FOR ANY DAMAGE TO THE FAUCET RESULTING FROM REASONABLE WEAR AND TEAR, OUTDOOR USE, MISUSE (INCLUDING USE OF THE PRODUCT FOR AN UNINTENDED APPLICATION), FREEZING WATER, ABUSE, NEGLECT OR IMPROPER OR INCORRECTLY PERFORMED INSTALLATION, MAINTENANCE OR REPAIR, INCLUDING FAILURE TO FOLLOW THE APPLICABLE INSTALLATION, CARE AND CLEANING INSTRUCTIONS. Notice to residents of the State of New Jersey: The provisions of this warranty, including its limitations, are intended to apply to the fullest extent permitted by the laws of the State of New Jersey.

•Additional Rights

This warranty gives you specific legal rights, and you may also have other rights which vary from state/province to state/province. This is HomLux's exclusive written warranty and the warranty is not transferable. If you have any questions or concerns regarding our warranty, please contact us as provided above.