



Attention: Don't tighten the screw before all screws are in place

**UESR'S MANUAL**

---

Dining Table  
**10BZLJRTB01WT**

## Hardware List

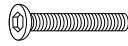
**A**



M8\*16\*1.5

(1pcs)

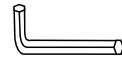
**B**



M8x70

(1pcs)

**C**



( 1pcs )

**D**



M6\*16\*1.5

(4pcs)

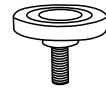
**E**



M6x18

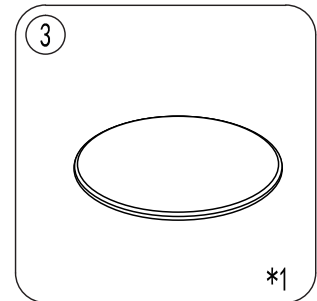
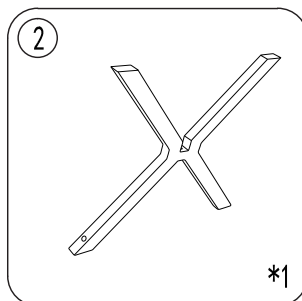
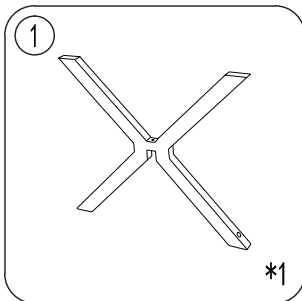
( 4pcs )

**F**

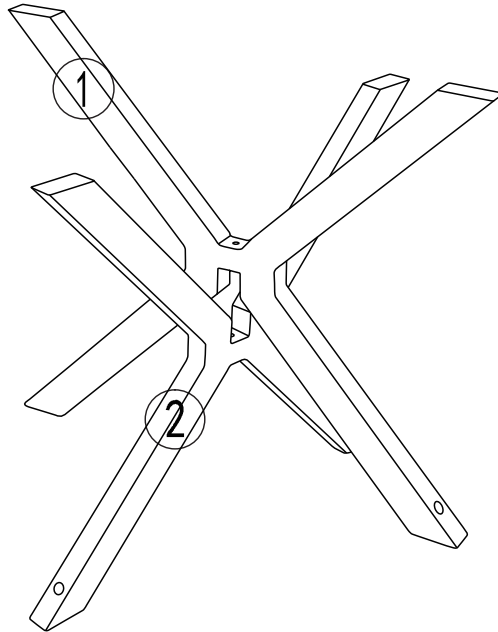


( 4pcs )

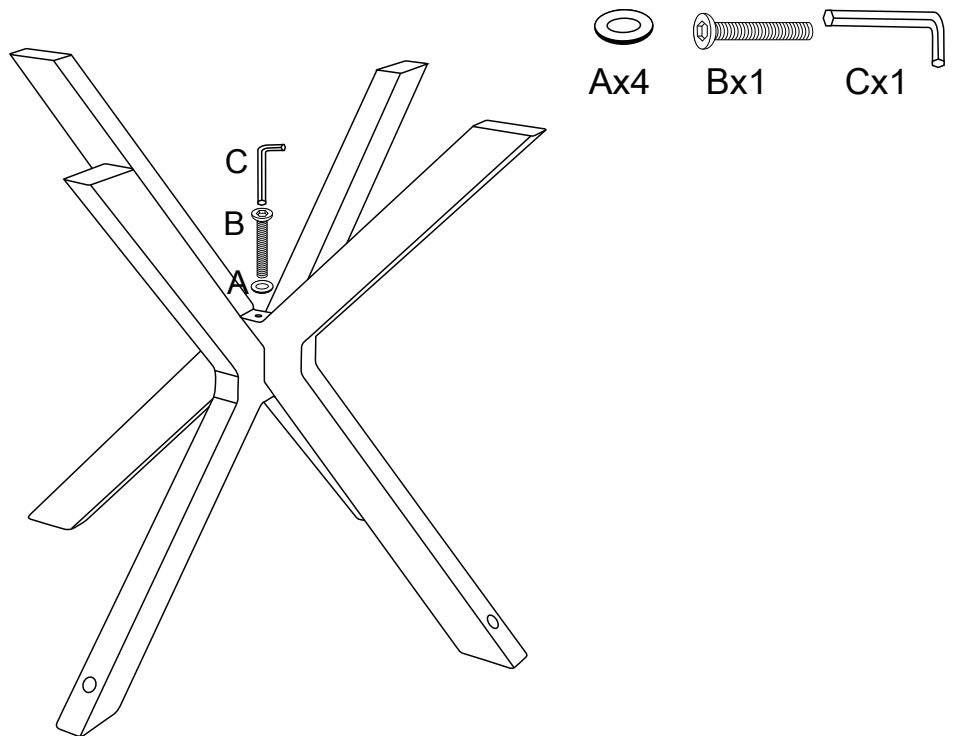
## Panel List



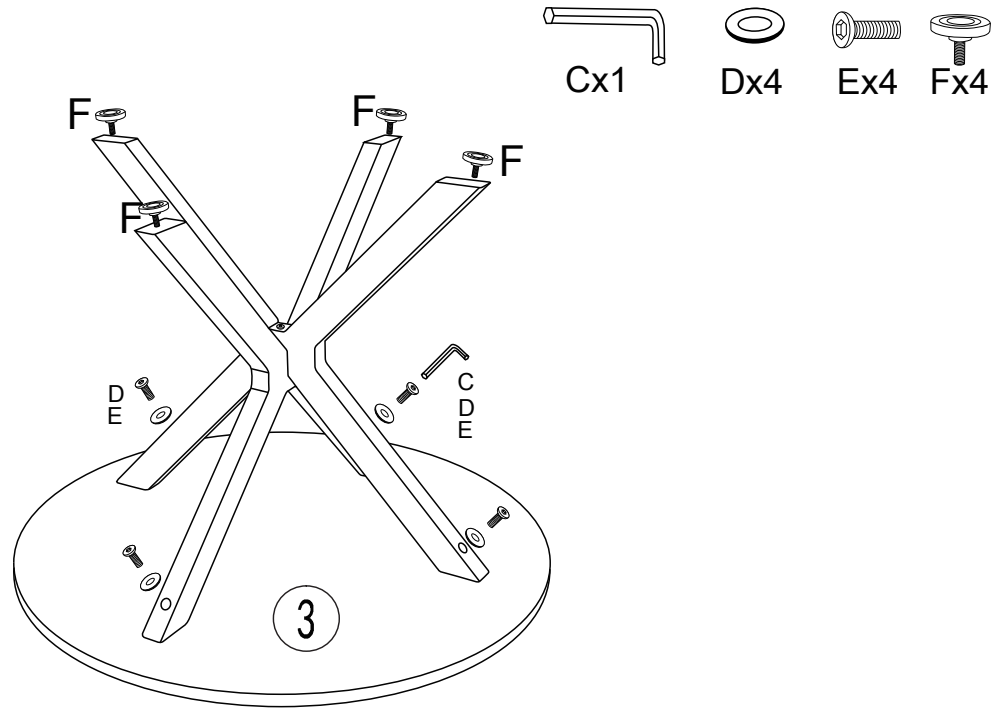
## Step 1



## Step 2



### Step 3



### Step 4

