
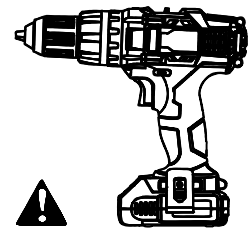
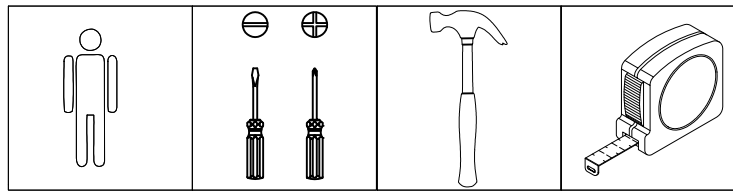

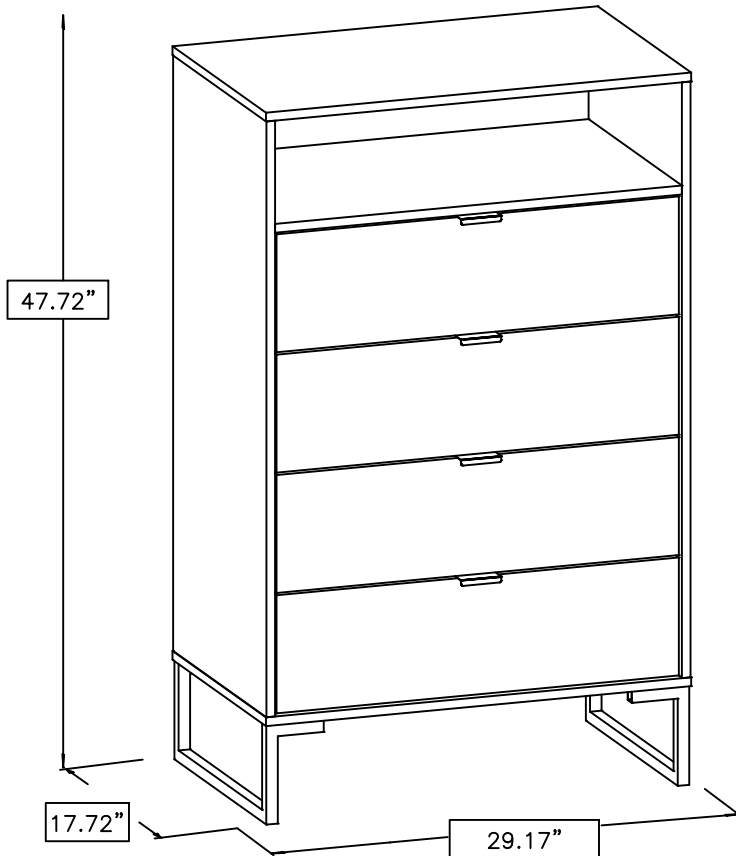


ASSEMBLY INSTRUCTIONS

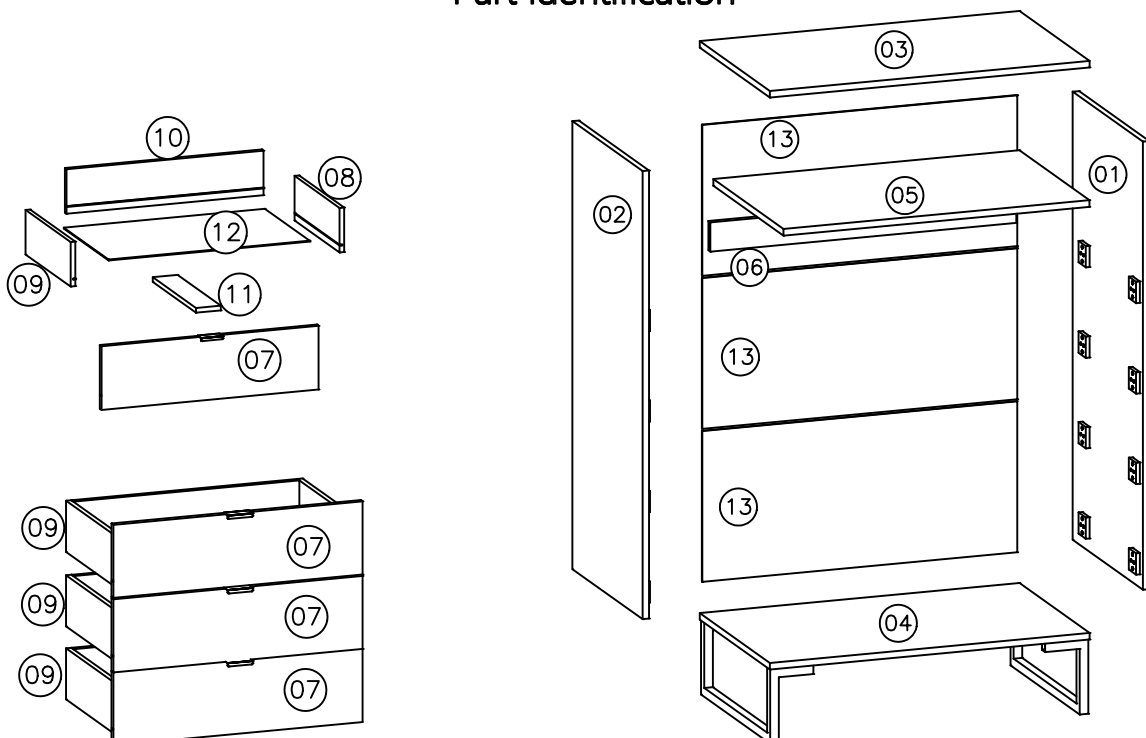
 Warning – CHOKING HAZARD – Small Parts Not for children under 3 years. Adult assembly required.



 Although not required, it is recommended that a drill be used to help ease the assembly process, as some holes are not pre-drilled.

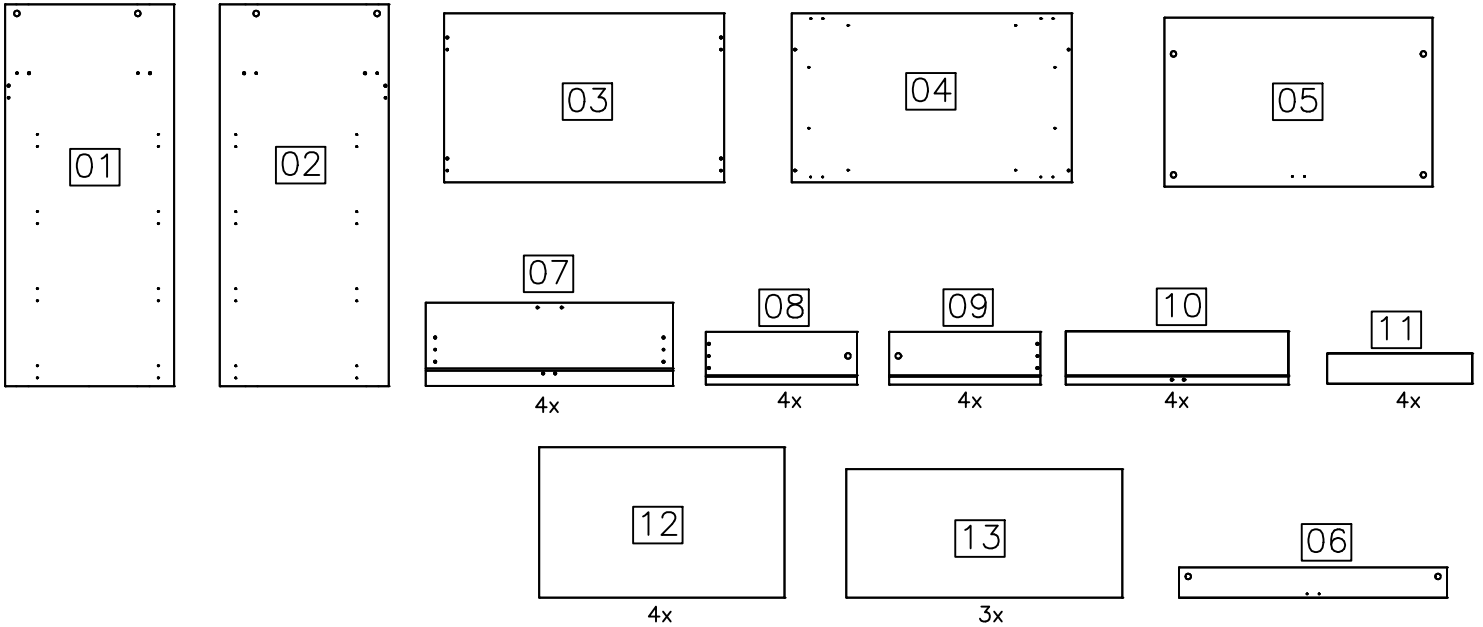


Part Identification

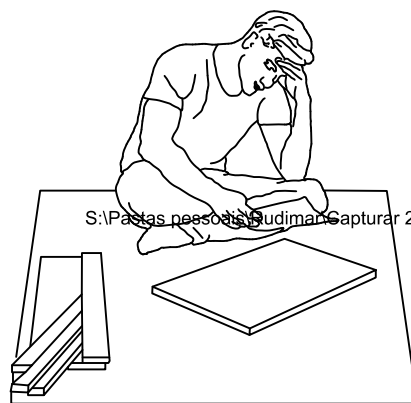


List of pieces

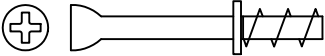
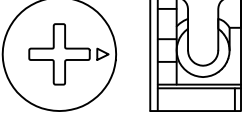

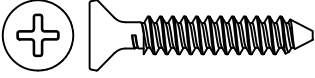


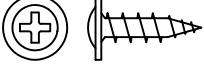
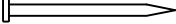
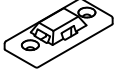

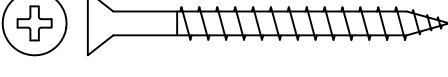

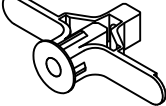
Code	Description	Descrição (Internal production data)	Amount	Length (in.)	Width (in.)	Thickness (in.)	Box
01	Right side panel	Lateral direita	1	39.76"	17.60"	.59"	A
02	Left side panel	Lateral esquerda	1	39.76"	17.60"	.59"	A
03	Top	Tampo	1	29.17"	17.60"	.59"	A
04	Bottom/Base	Base	1	29.17"	17.60"	.59"	A
05	Shelf	Prateleira	1	27.91"	17.60"	.59"	A
06	Back support	Sarrafo interno	1	27.91"	3.15"	.59"	A
07	Front of Drawer	Frente de gaveta	4	27.60"	7.87"	.59"	A
08	Right Side of Drawer	Lateral de gaveta direita	4	15.75"	5.51"	.59"	A
09	Left Side of Drawer	Lateral de gaveta esquerda	4	15.75"	5.51"	.59"	A
10	Back of Drawer	Cabeceira de gaveta	4	25.04"	5.51"	.59"	A
11	Drawer support	Sarrafo da gaveta	4	15.12"	3.15"	.59"	A
12	Base of Drawer	Fundo de gaveta	4	25.55"	15.67"	.12"	A
13	Back Panel	Costa	3	28.74"	13.39"	.12"	A

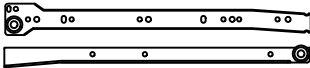
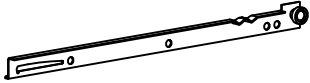
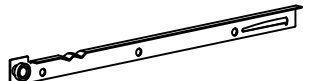
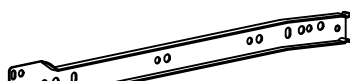

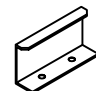
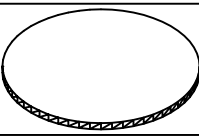

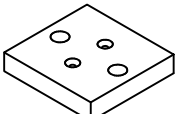
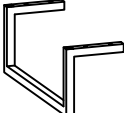

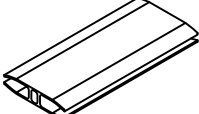
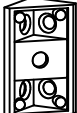


We Recommend you use the Box that your furniture came in as the base for your work space. This can help prevent and unnecessary damages from occurring.



S:\Pastas pessoais\Judimar\Capturar 2.PNG

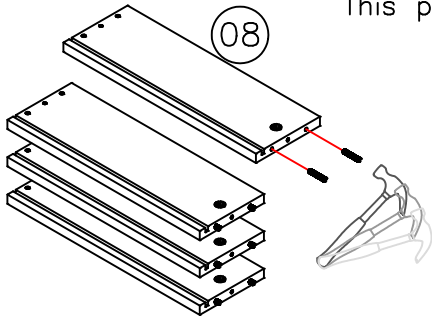
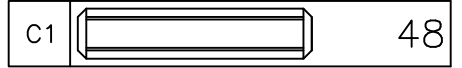
Hardware			
	Code	Description	Amou.
PM	30945	 Cam Screws	18
TM	30950	 Cam Locks	18
PE18	75515	 Screw 5x40	12
PC16	9615	 Screw 5,0X30	8
C1	1802	 Dowel 6x30mm	62
PC3	4194	 Screw 3,5x14	68
PF2	25827	 Screw 3,5x14	8
PR1	107	 Nail 10x10	35
Anti-tipping installation			
<p>Warning: For Measures of Safety, it is recommended that this item be fixed to the wall, to avoid overturning, if this happens it can cause serious or fatal injuries.</p> <p>ATENCION: Por medidas de seguridad se recomienda fijar el mueble a la pared para evitar Volcamiento del mismo, si esto llegase a ocurrir puede causar lesiones graves o fatales.</p>			
SF	55606	 Mounting bracket	2
ANY	55607	 Clamp	1
PC10	51980	 Screw 4,5x50	2
PF4	1178	 Screw 3,5x16 BC	2
BG	32069	 Adapter sleeve	2

CM4			400mm metal slide set	4
CM4A			Right Drawer slide	
CM4B			Left drawer slide	
CM4C	5288		Metallic slide for left sided panel	
CM4D			Metallic slide for right sided panel	
PX	<u>BR=59291</u> (Branco) <u>EBPR1=59292</u> (Preto) <u>ITAR1=59294</u> (Off White)		Handle 70mm	4
TP1	<u>BR=44156</u> (Branco K1) <u>EBPR1=50493</u> (Ebano Grigio) <u>ITAR1=40392</u> (Itapuã)		Screw cap cover 19mm	18
TP2	<u>BR=44157</u> (Branco K1) <u>EBPR1=09399</u> (Ebano Grigio) <u>ITAR1=40391</u> (Itapuã)		Screw cap cover 13mm	12
AF2	<u>BR=55558</u> (Branco) <u>EBPR1=55287</u> (Preto) <u>ITAR1=55287</u> (Preto)		Retractor	16
P1	<u>BR=55387</u> (Branco Fosco) <u>EBPR1=55389</u> (Preto Fosco) <u>ITAR1=55388</u> (Off White)		Metal foot tube	2
CZ3	58788		Allen key	1
PH	55650 (Bege)		Finishing profile	2
CG	899		Cantoneira/Cantón / Angle bracket	1

1A

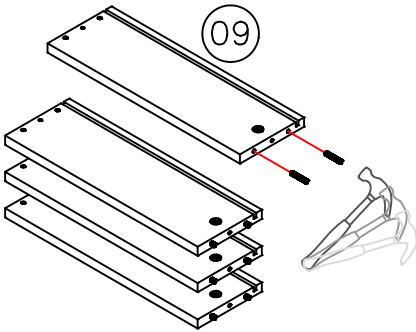
Drawer Preassembly

This process is repeated four times (x4)



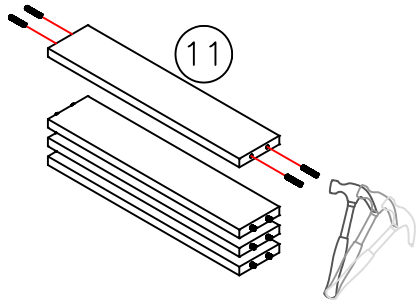
1B

This process is repeated four times (x4)



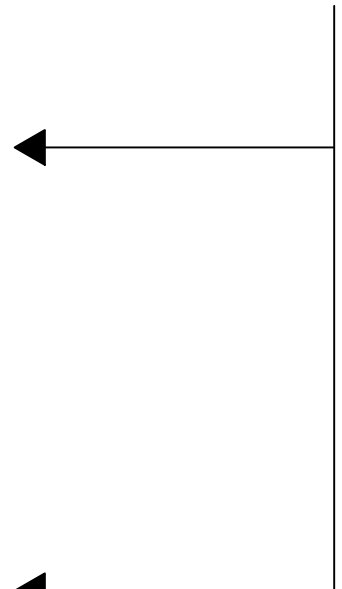
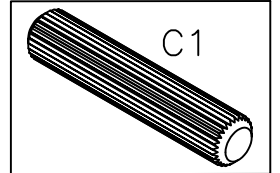
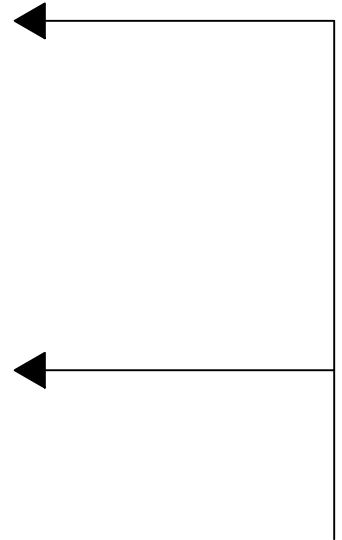
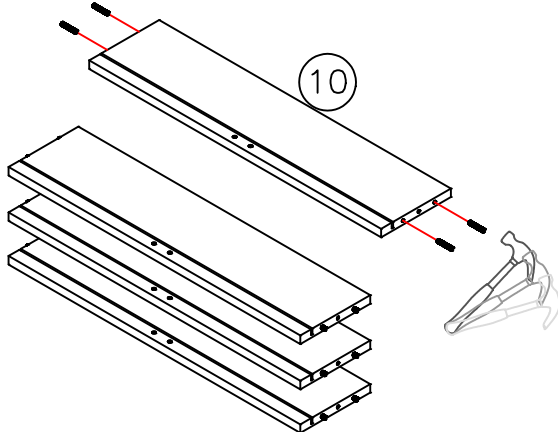
1C

This process is repeated four times (x4)



1D

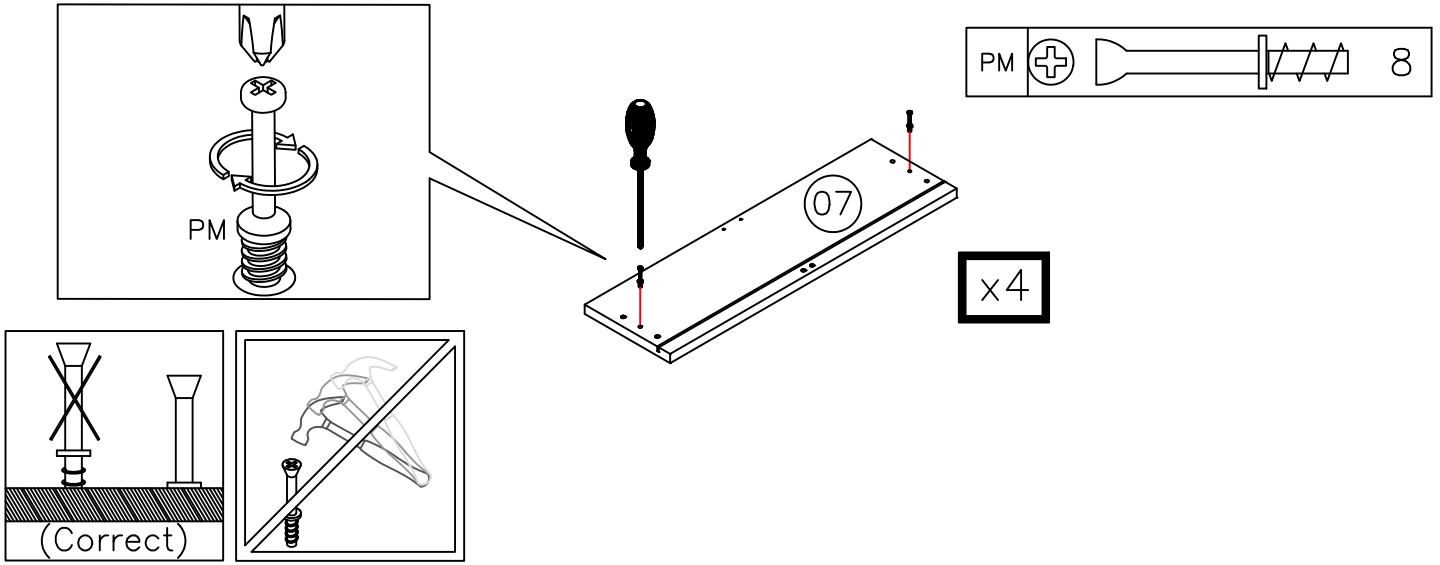
This process is repeated four times (x4)



1E

Drawer Preassembly

This process is repeated four times (x4)

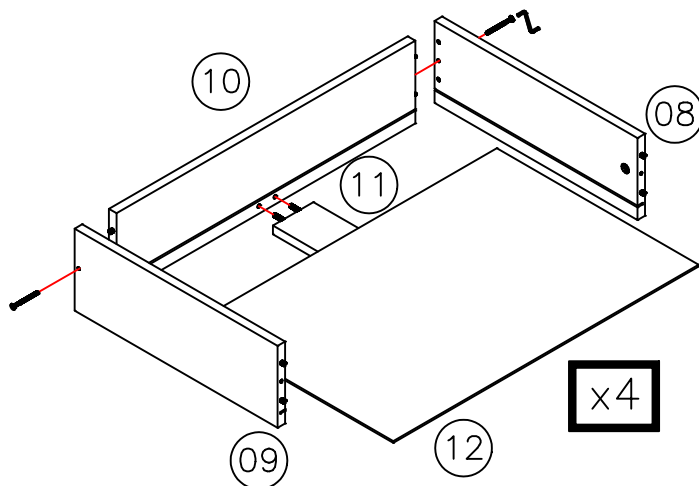
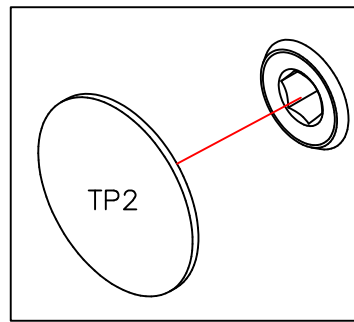
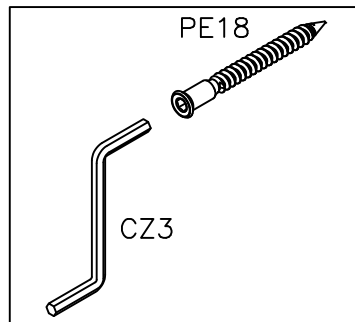


2

Drawers Mounting

This process is repeated four times

PE18		8
CZ3		1
TP2		8

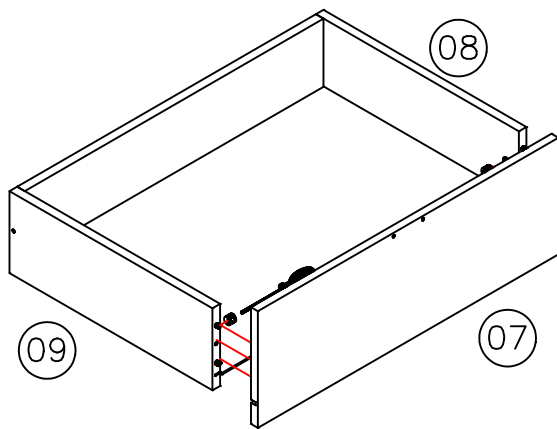
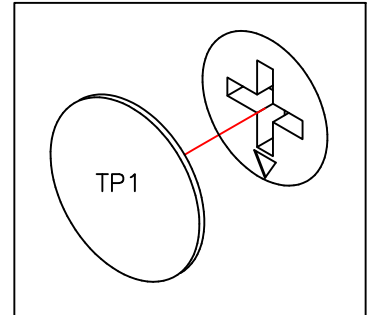
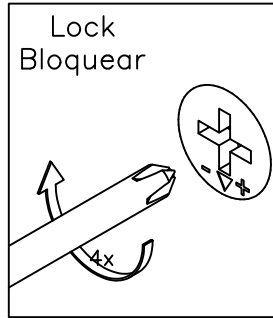
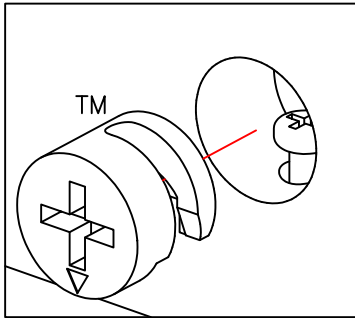


3

Drawers Mounting

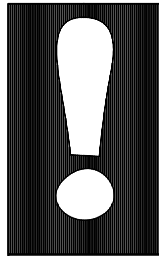
This process is repeated four times(x4)

TM			8
TP1			8



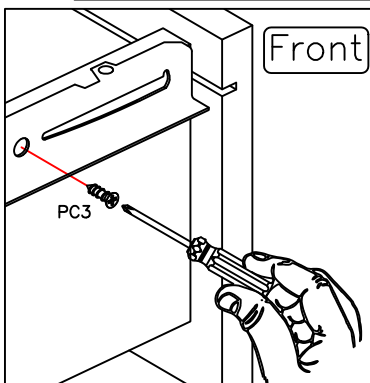
x4

4

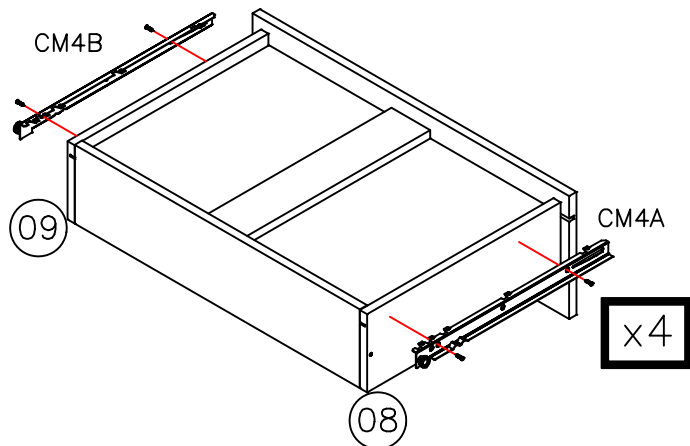
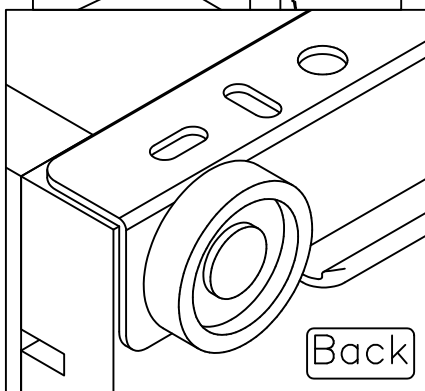


Please ensure that these screws are complete screwed in. As failure to do so could cause issues when installing the drawer.

CM4A		4
CM4B		4
PC3		16



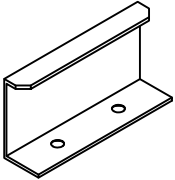
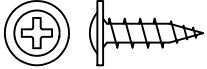
Wheels should Always be towards the back of the Drawers

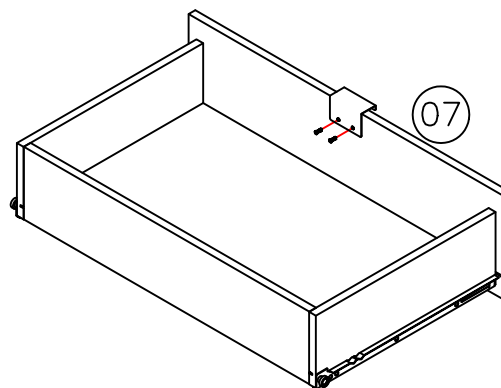
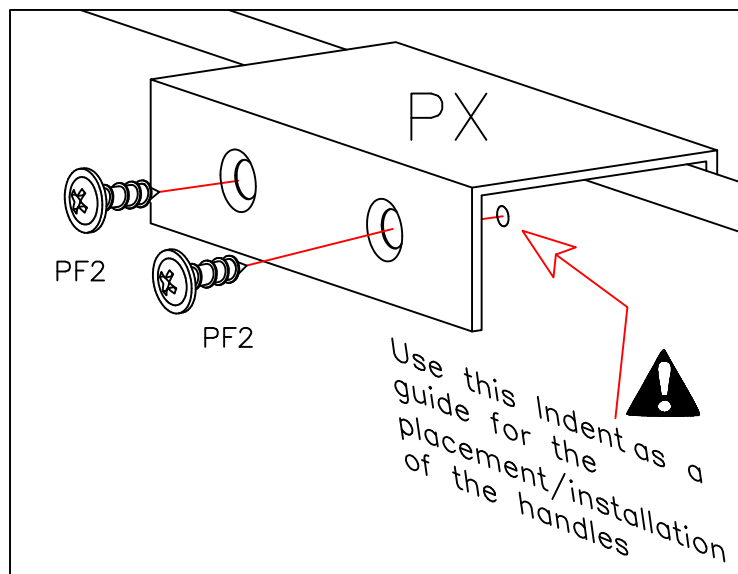


5

Drawer final assembly

This process is repeated four times (x4)

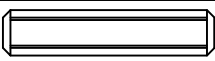
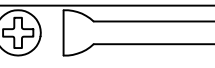
PX		4
PF2		8

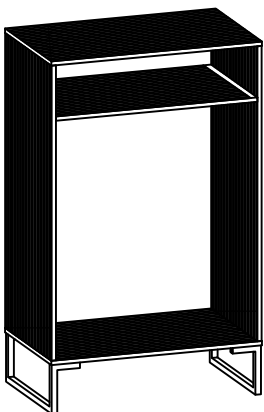
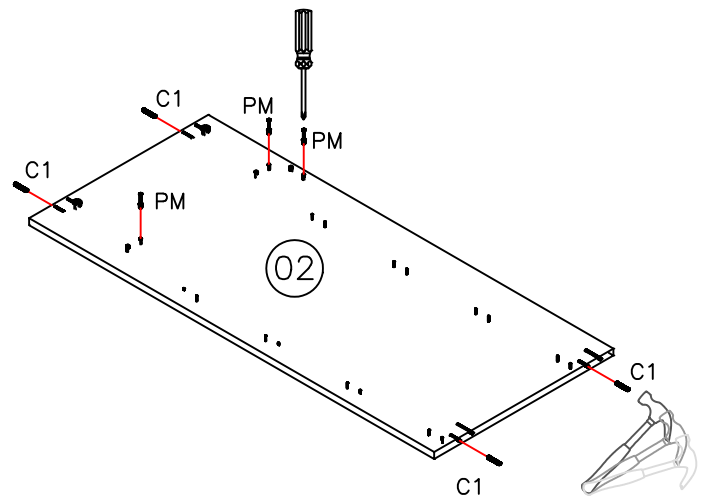
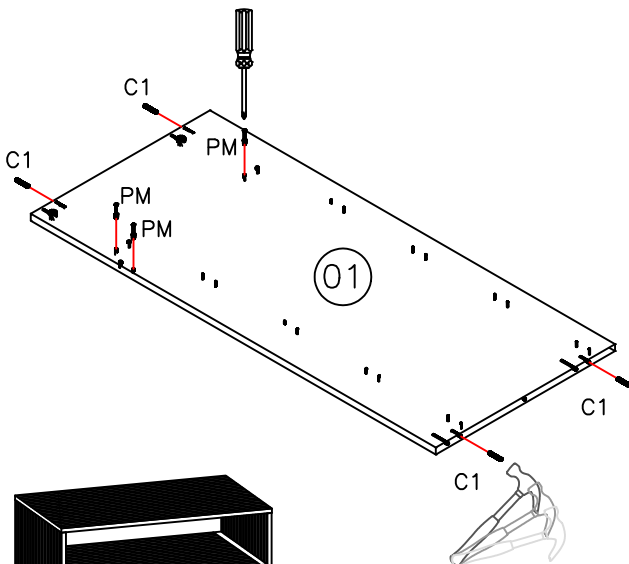
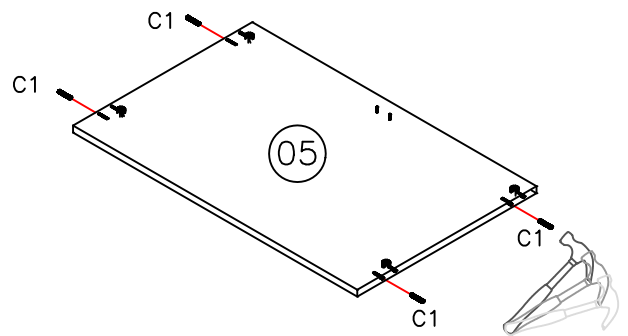
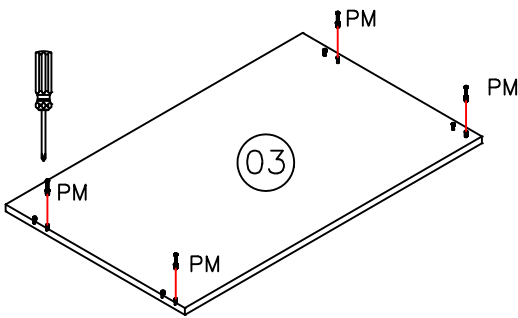
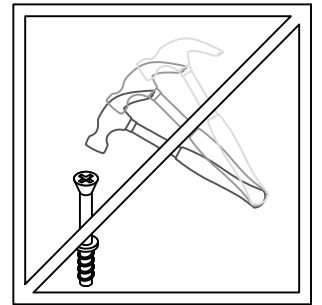
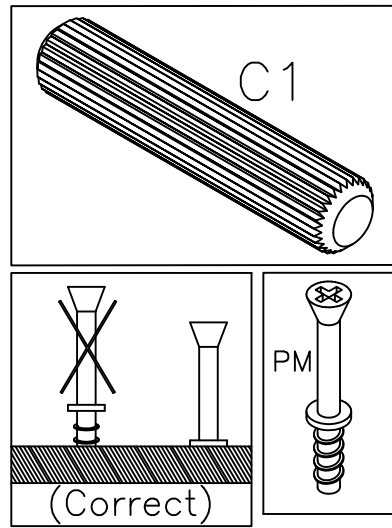
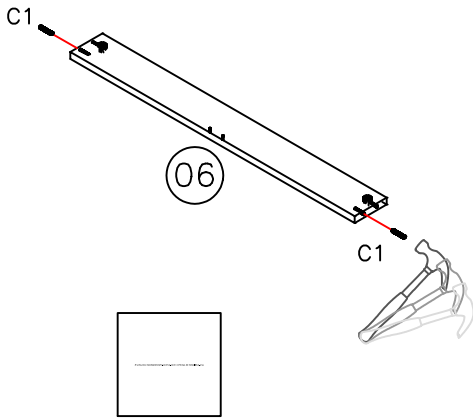


x4

6

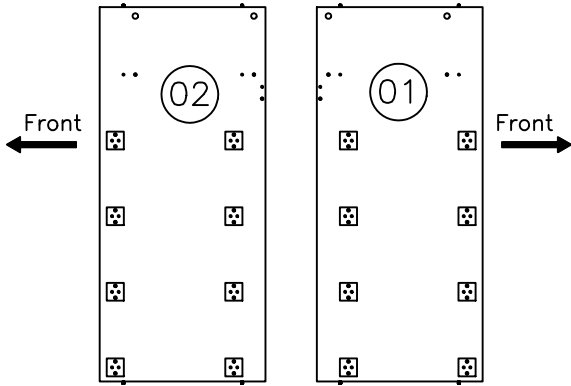
Preassembly of parts


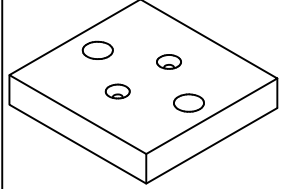
C1		14
PM		10

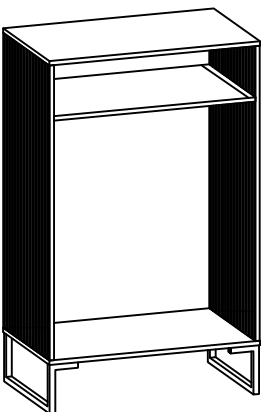
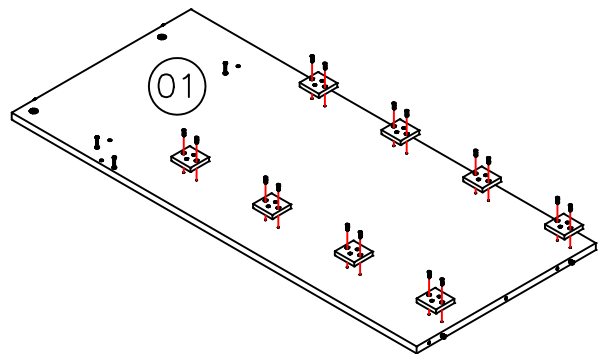
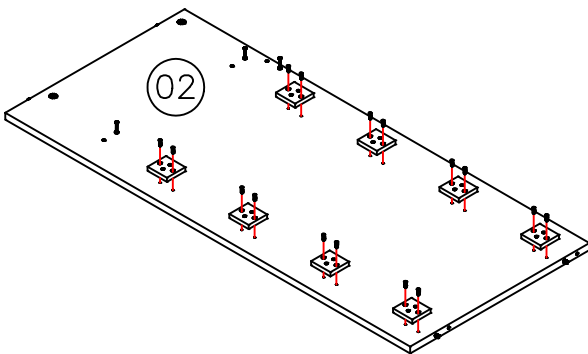
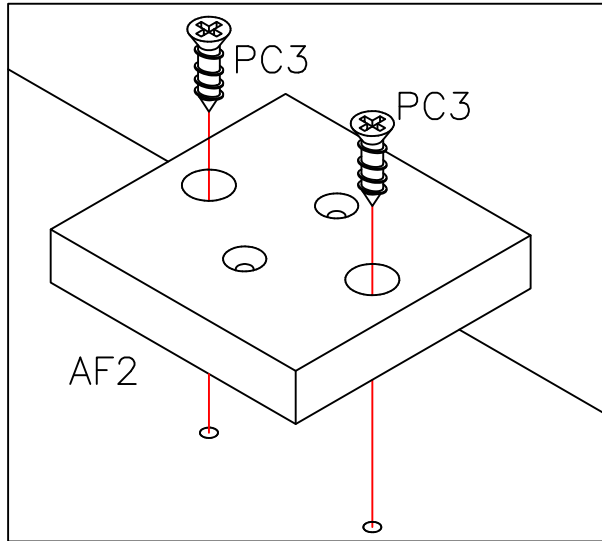


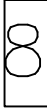
7

Top view of the finished part

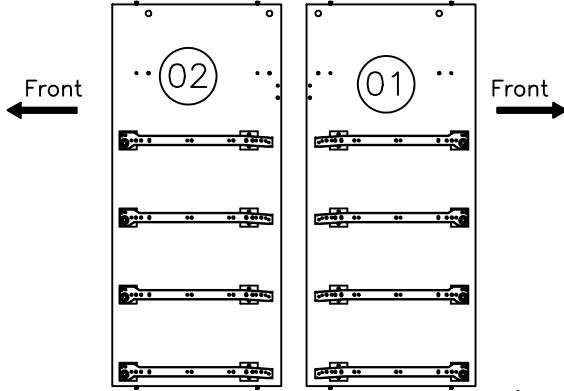


PC3		32
AF2		16



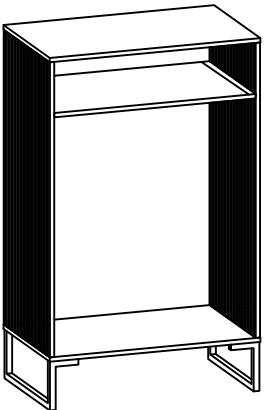
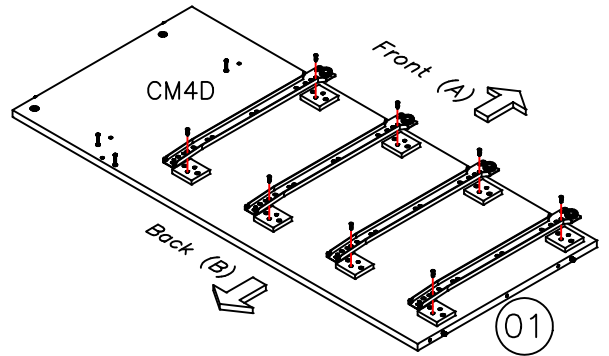
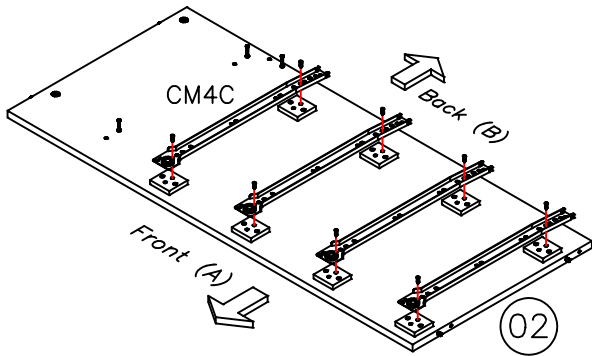
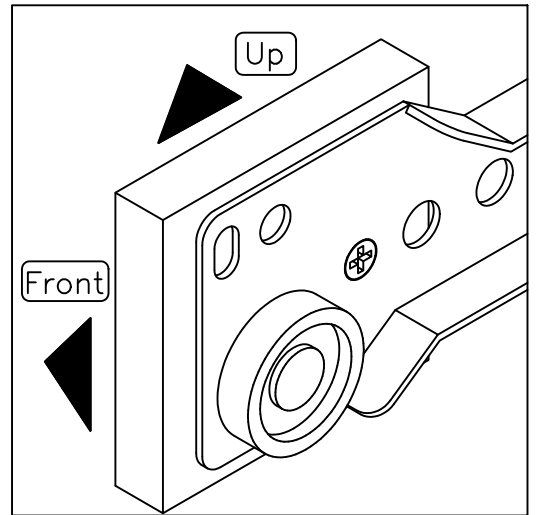
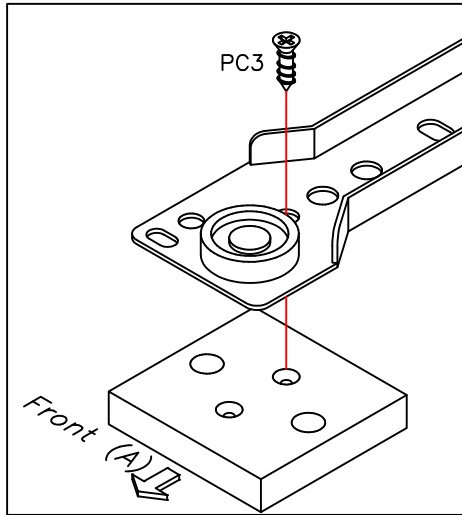
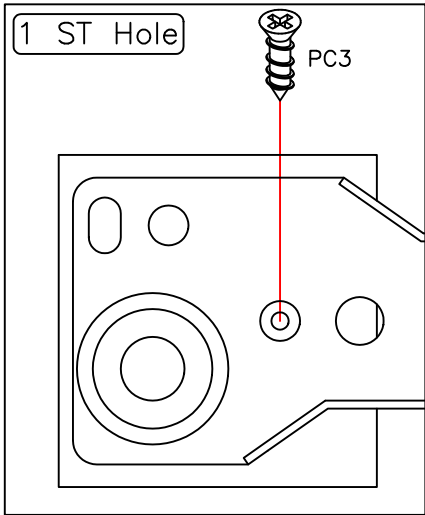


Top view of the finished part



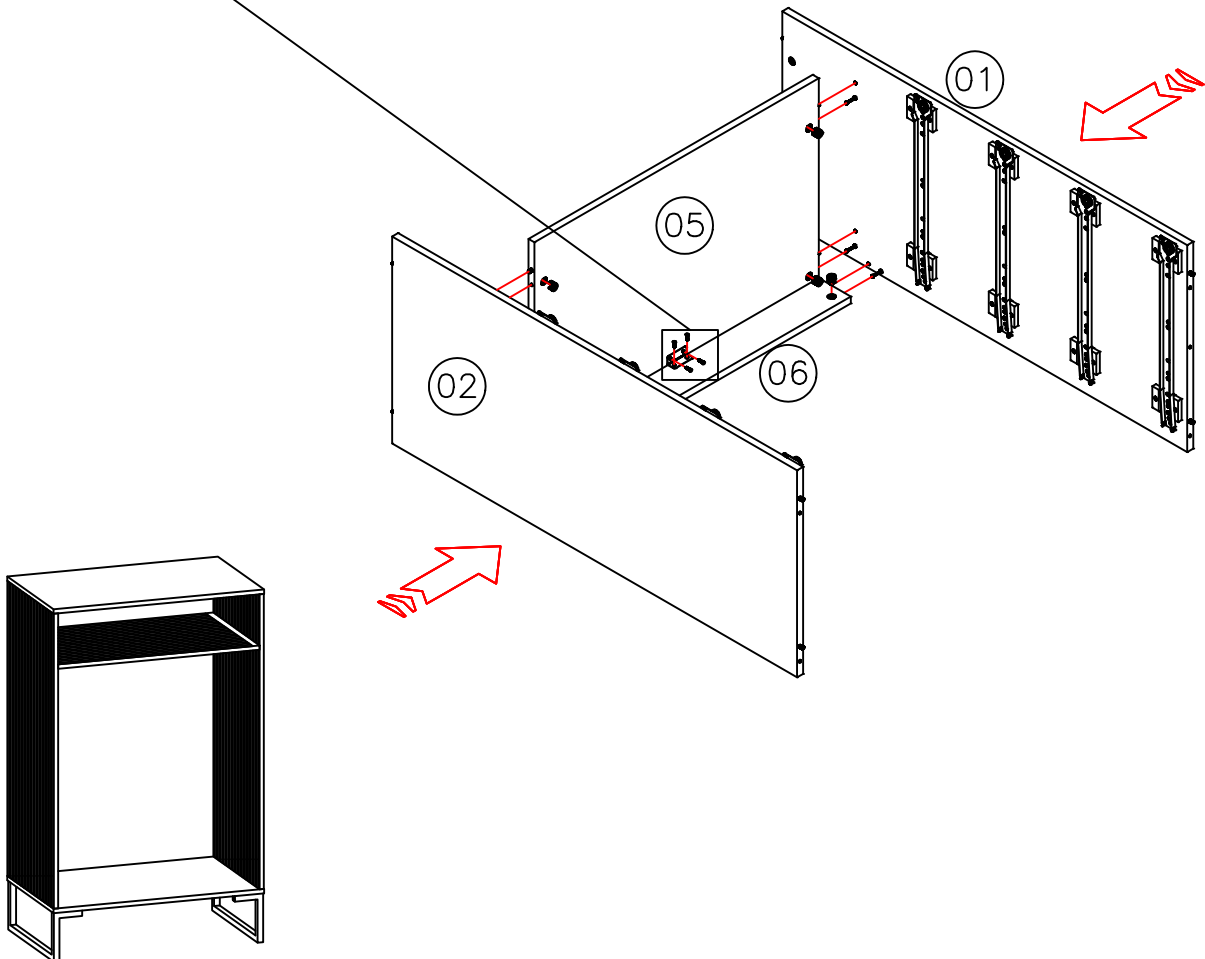
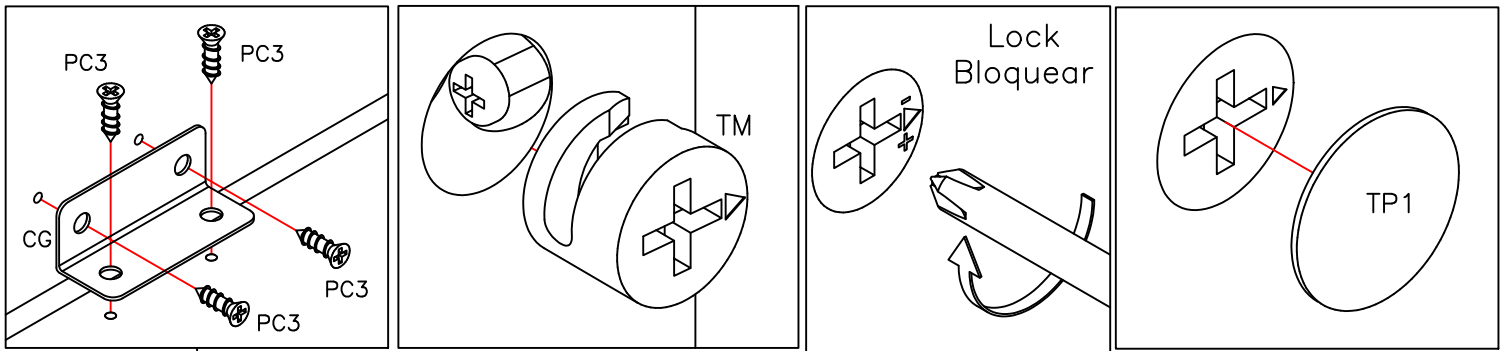
PC3		16
CM4C		4
CM4D		4




Detailed view of CORRECT hole location in the rail for the "PC3" Screw

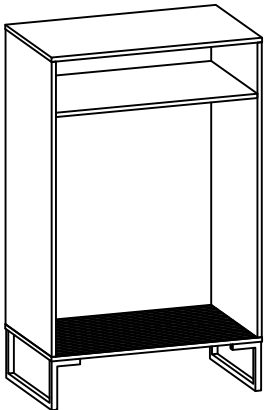
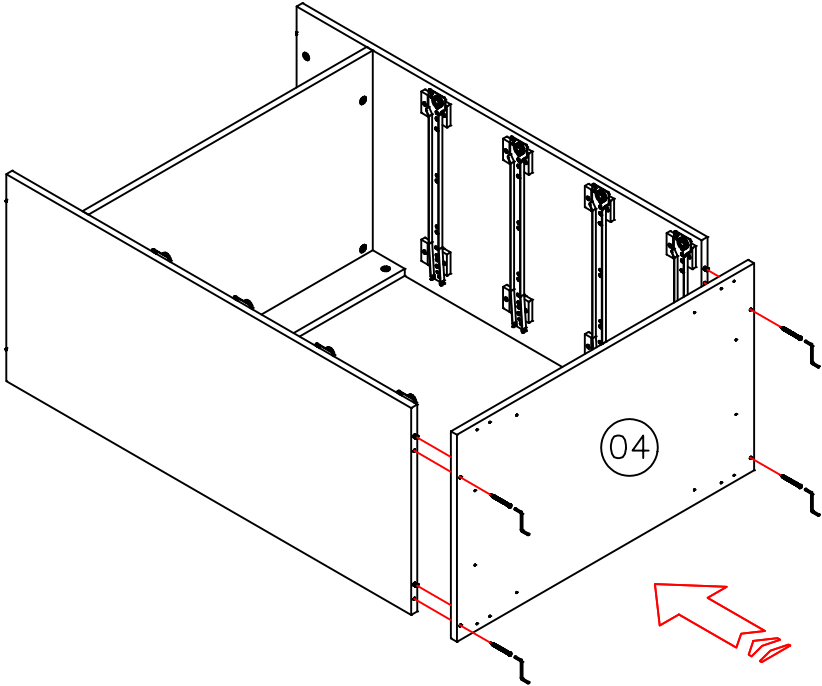
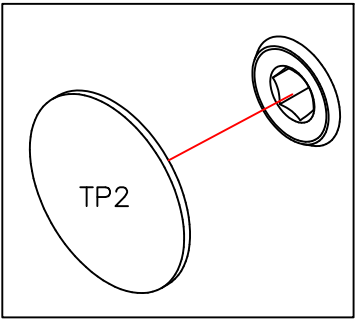
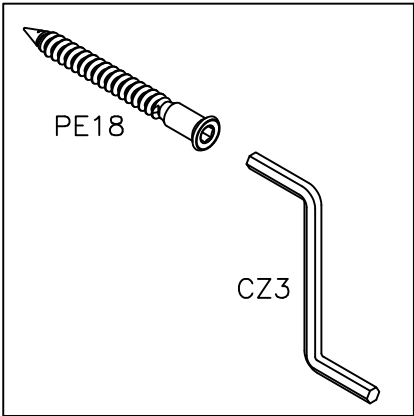


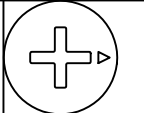
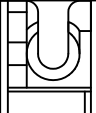
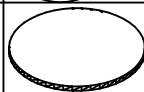
Product Assembly

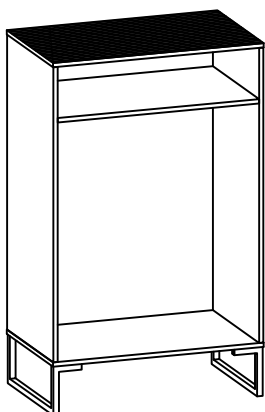
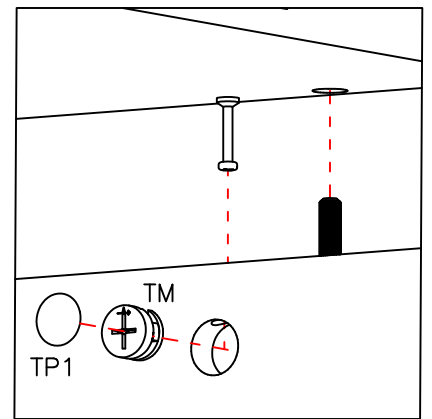
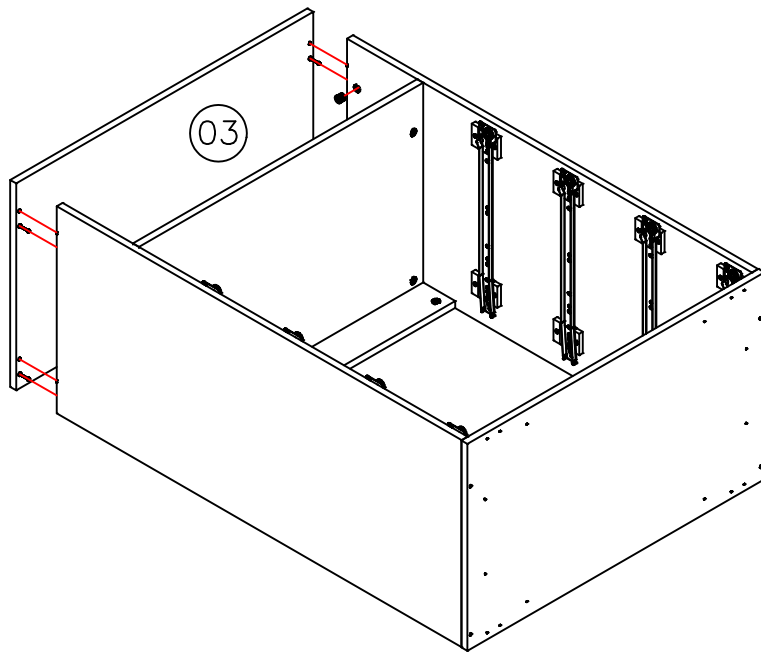
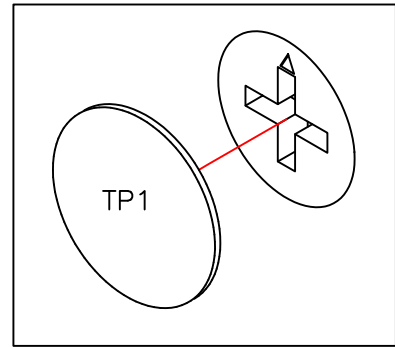
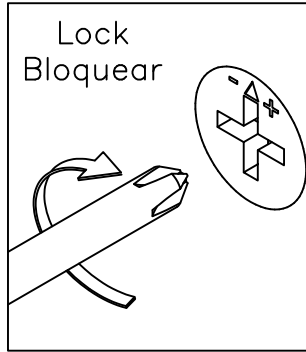
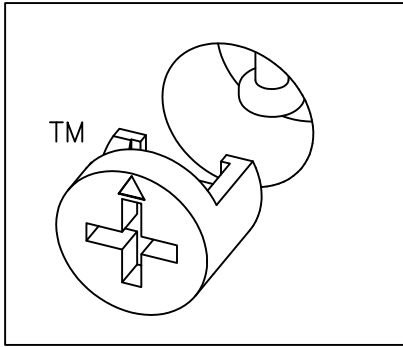
TM			6
TP1			6
CG			1
PC3			4



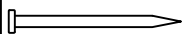
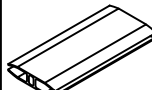
PE18		4
CZ3		1
TP2		4



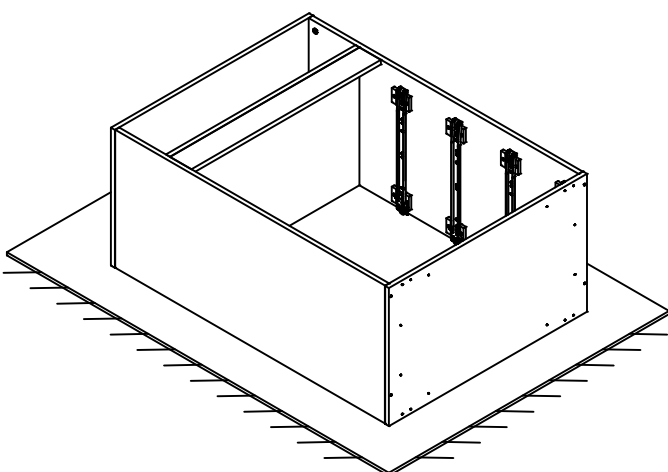

TM			4
TP1			4



Attention: Ensure that when nailing the back parts in place, that it is being nailed as straight as possible to the top and sides.
 Failure to do so can make the drawers appear crooked.

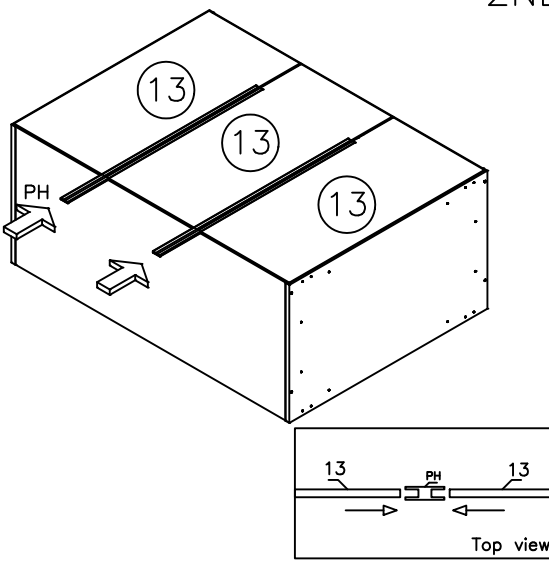
PR1		35
PH		2

1ST

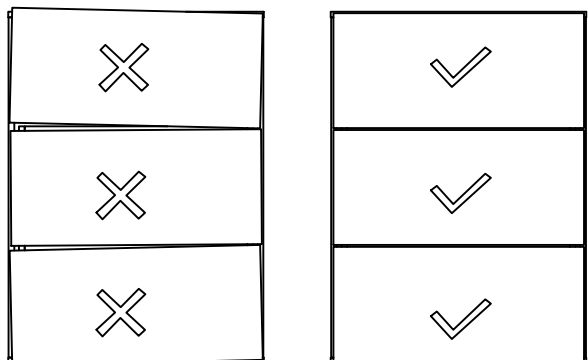



Carefully place the furniture on its front, on top the box in which it came to protect it when attaching the back panel.

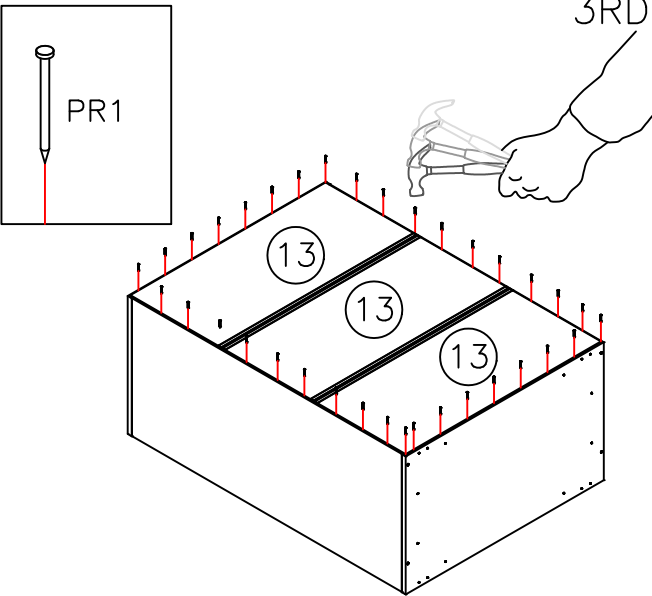
2ND



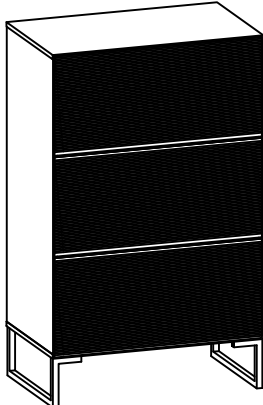
Note: It is essential to place the furniture strait/squared to avoid problems with the functioning and alignment of the Drawers and Doors.



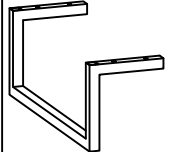


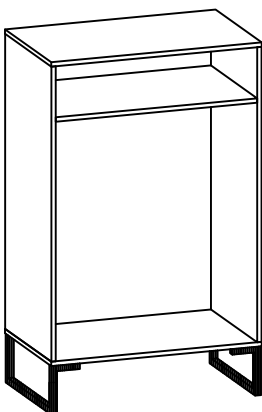
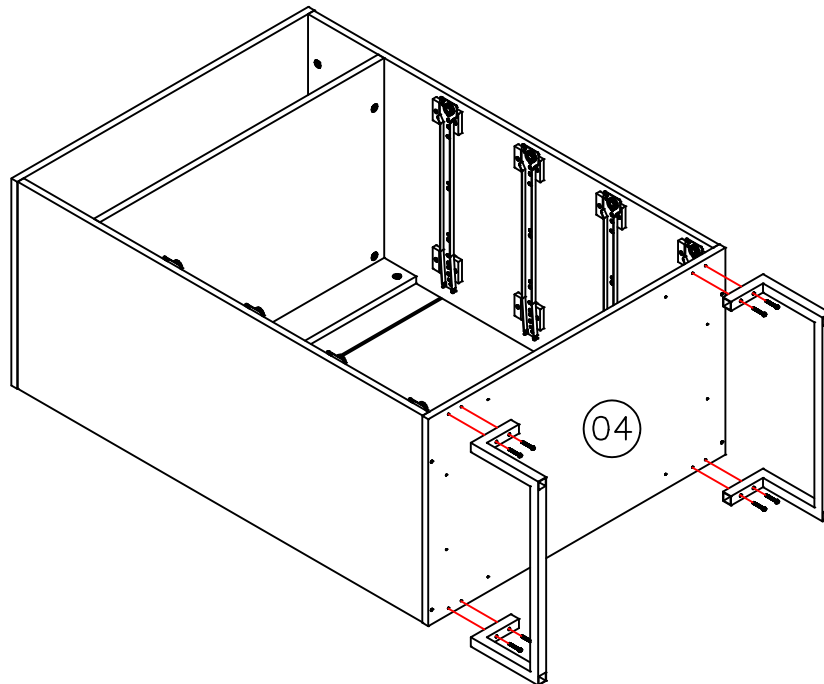
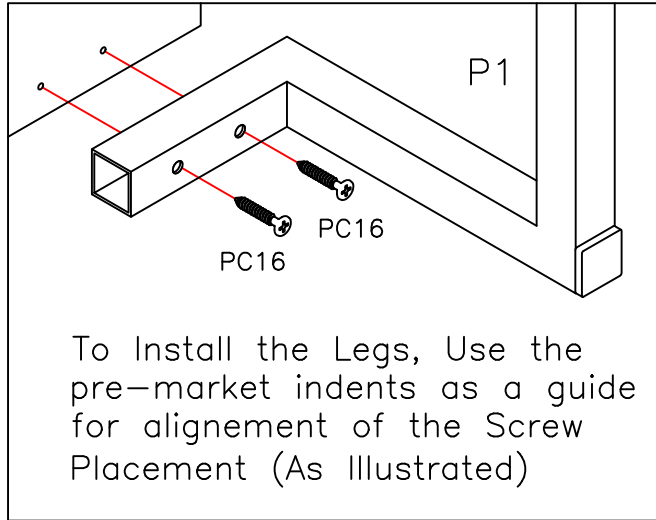
3RD



After checking that the back panel is squared to the side and Top, nail the back panel in place.

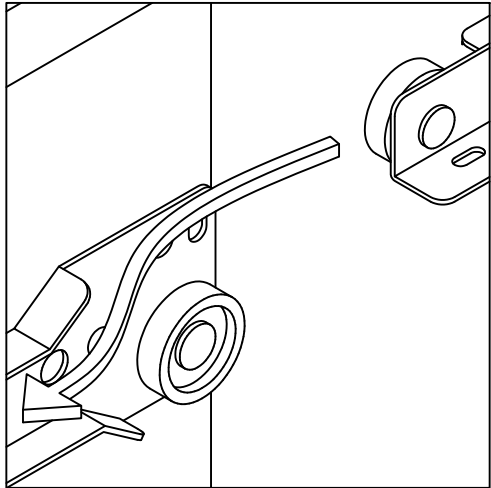
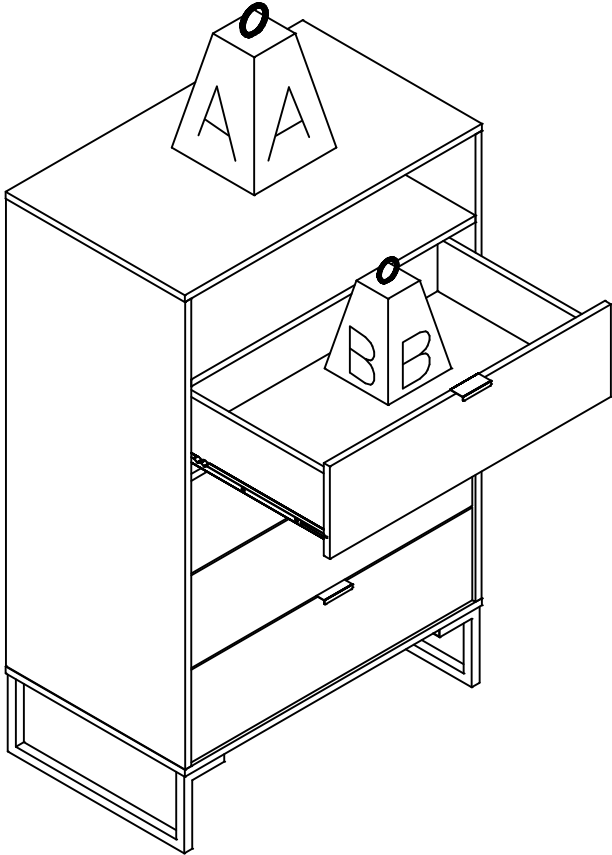


PC16			8
P1			2

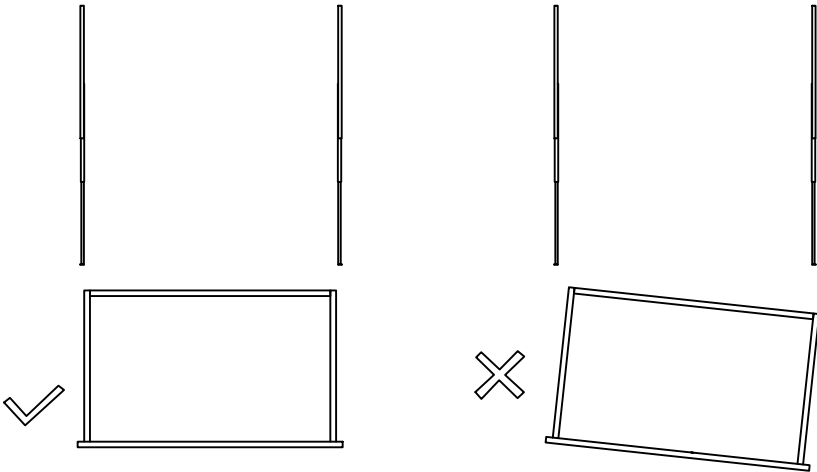


Drawer installation

Insert the slide into the profile and close the drawer to finish locking the clip.



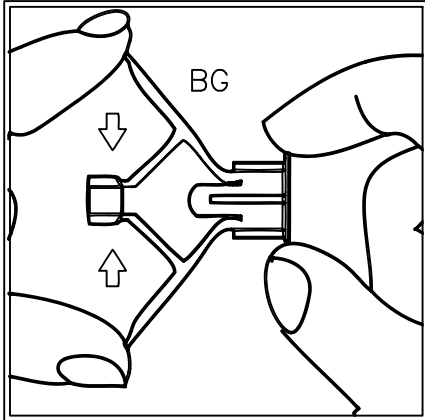
	Kg	lb
A	35	77.16lb
B	6	13.23lb



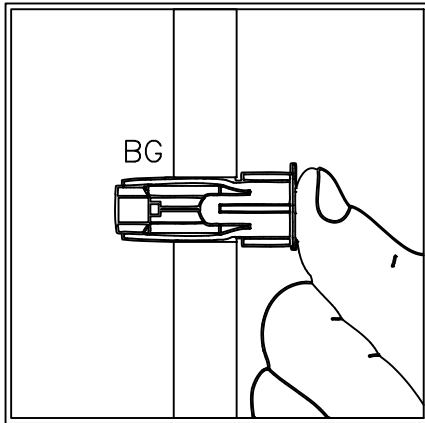
15

NOTE: Do not turn the DRYWALL ANCHOR into a wall stud. If you prefer to fasten the SAFETY ANTI-TIPPING to a wall stud, go to your local hardware store for proper hardware.

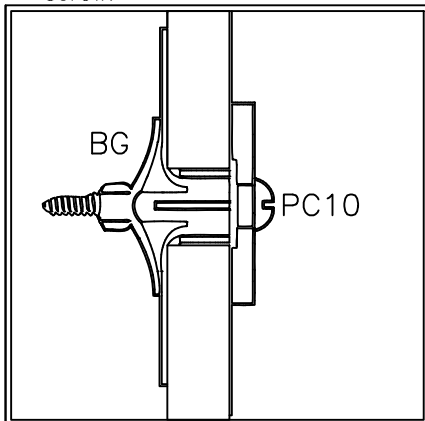
Compress the wings of anchor before inserting.



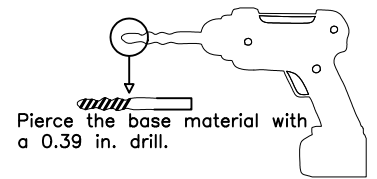
Insert the chuck into the hole of the base material.



Position the object over the bushing and secure it with a screw.



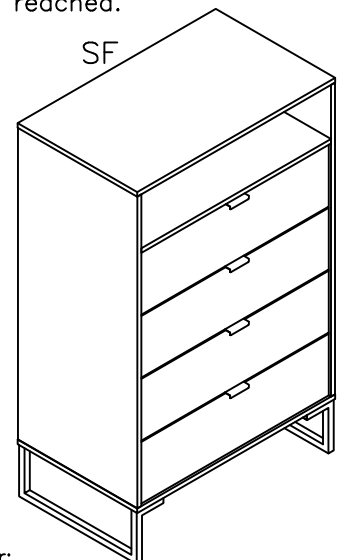
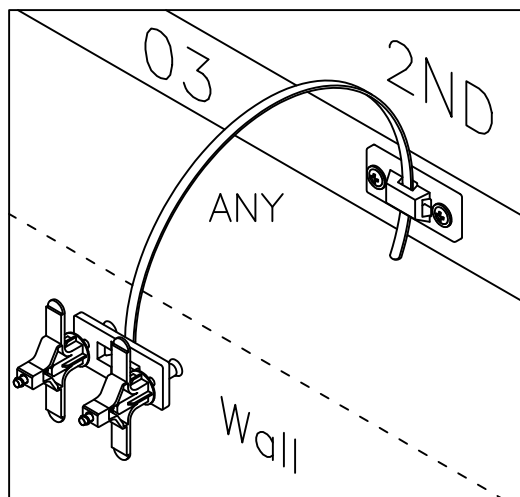
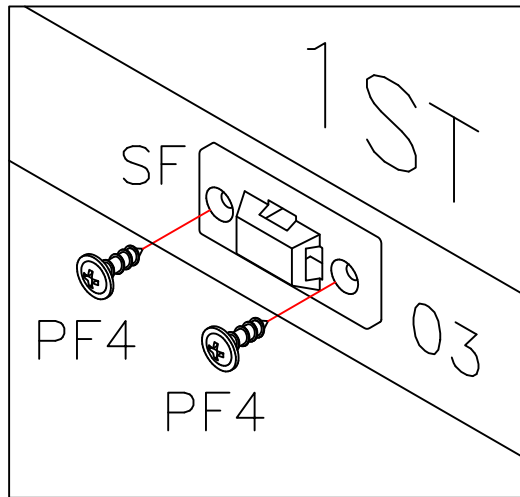
SF		Mounting bracket	2
ANY		Clamp	1
PC10		Screw 4,5x50	2
PF4		Screw 3,5x16 BC	2
BG		Anchor	2



Pierce the base material with a 0.39 in. drill.

Important

- The minimum length of the screw must be the bushing length + object thickness that will be fixed.
- To guarantee the wing expansion function of the bushing, after the screw head is at the object to be fixed, one must continue to rotate the screw until maximum torque is reached.



A WARNING -Anti-Tip Advisory

Potential of serious fatal crushing injuries may occur from furniture tip-over. To help prevent tip-over:

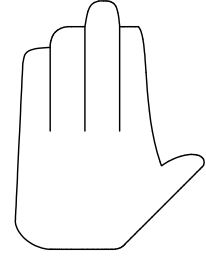
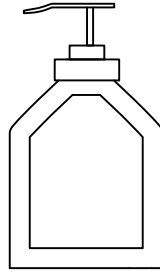
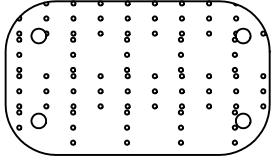
ALWAYS INSTALL the tip-over restrain that came with your furniture. This tip-over restrains only reduces but does NOT completely eliminate the risk of tip-over

- ALWAYS Place the heaviest items in the lowest/bottom drawer.
- NEVER place heavy objects on top of this product.
- NEVER allow children to scale/climb/hang on the drawers, doors, or shelves.
- NEVER open more than one drawer at a time.

B ADVERTENCIA - Aviso antivuelco

Pueden producirse lesiones graves por aplastamiento mortales debido al vuelco de los muebles. Para ayudar a prevenir vuelcos:

- SIEMPRE INSTALE el sistema de retención que viene con sus muebles. Este sistema antivuelco solo reduce pero NO elimina por completo el riesgo de vuelco.
- SIEMPRE coloque los artículos más pesados en el cajón más bajo /inferior.
- NUNCA coloque objetos pesados encima de este producto.
- NUNCA permita que los niños escalen, trepen o se cuelguen de los cajones, puertas o estantes.
- NUNCA abra más de un cajón a la vez



To Remove the printed number, apply a small amount of Glass Cleaner or Hand sanitizer and wipe with a paper towel.

