

Parts and Damage Replacement Procedure

1. Please inspect your purchase immediately.
2. This procedure covers product purchased from an authorized Reseller and was received in its originally sealed carton.
3. If you find a part missing or damaged, you have a 30-day window in which to order a replacement part from the date on your purchase receipt.
4. You have 3 ways to do this. You will need a copy of your purchase receipt.
 - a. By Fax: Fax the parts order form below and along with your receipt.
 - b. By Email: Email the order form and along with your receipt.
 - c. By Mail: Fill out the parts order form below and along with a copy of your receipt send it to our furniture parts department.
5. Once this order is sent in, you will be notified if the part(s) you are requesting can or cannot be shipped within 7-10 business days.

**A COPY OF YOUR PURCHASE RECEIPT OR INVOICE MUST BE ATTACHED TO THIS ORDER FORM.
NO ORDERS WILL BE PROCESSED WITHOUT PROOF OF PURCHASE.**

NAME: _____
 ADDRESS: _____ (No Post Office Boxes)
 CITY: _____ STATE: _____ ZIP: _____
 PHONE: _____ FAX: _____
 EMAIL: _____

REASON FOR REPLACEMENT/PLEASE CHECK APPROPRIATE BOX .

- Damaged /scratched, cracked, broken, crushed, etc.
- Mechanical malfunction/ drawer glides, swivel mechanisms, lid stays, etc.
- Missing pieces
- Unfinished surface
- Wrong color
- Other

IF MORE THAN ONE MODEL NUMBER IS LISTED ABOVE, PLEASE SPECIFY THE EXACT MODEL NUMBER OF YOUR ITEM IN THE SPACE PROVIDED BELOW.

Model Number Part Letter Code Quantity

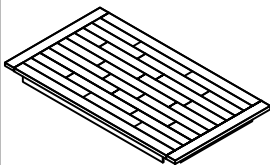
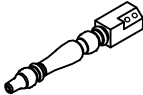
Model Number	Part Letter Code	Quantity

ASSEMBLY INSTRUCTIONS





DESCRIPTION : DINING TABLE

Thank you for purchasing this quality product. Be sure to check all packing material carefully for small Hardware which may have some loose inside the carton during shipment. Identify and count all Hardware. Identify and all Hardware and compare with the Hardware List Below.

"PART LISTS"

STT	DESC	OUTLOOK	Q'TY
1	TABLE TOP		1pc
2	TABLE LEGS		4pcs

"HARDWARE LISTS"

STT	OUTLOOK	SIZE	Q'TY
A		5/16"x60mm BOLT	8pcs
B		5/16" SPRING WASHER	8pcs
C		5/16"x19mm LOCK WASHER	8pcs
D		4mm ALLEN WRENCH	1pc

