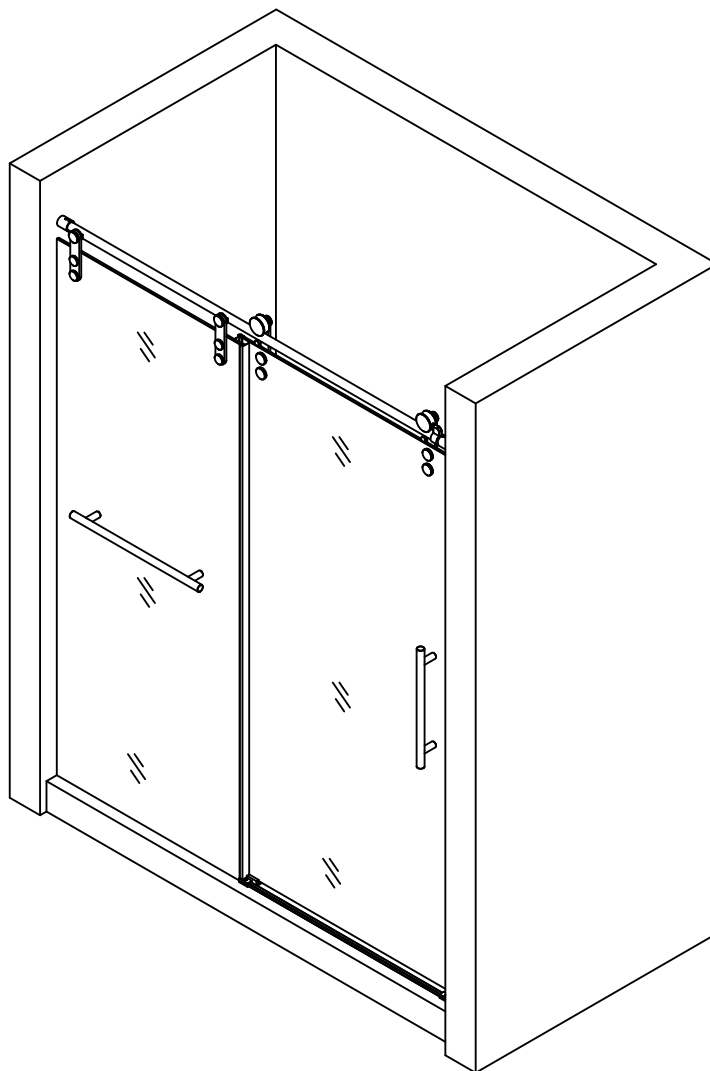


Shower Door Installation Guide

SS10



If installation challenges arise, please contact your seller for help before initiating a return process.

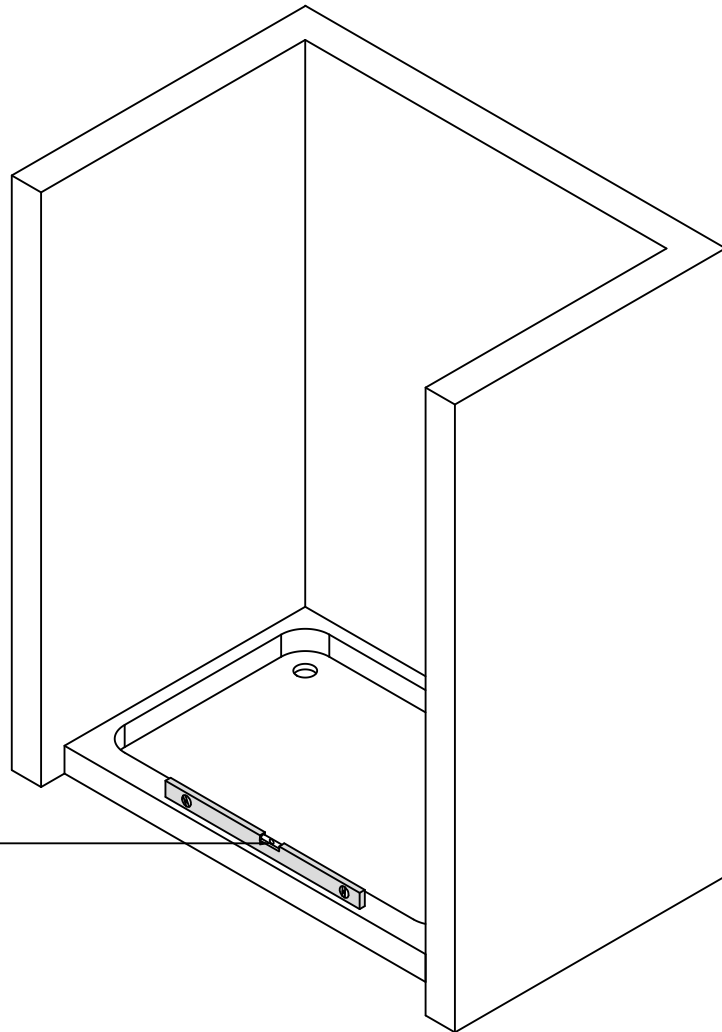
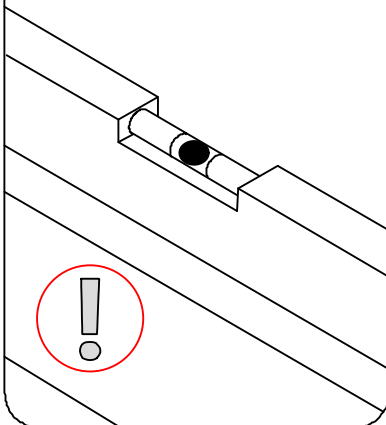
Model Specific Preparation



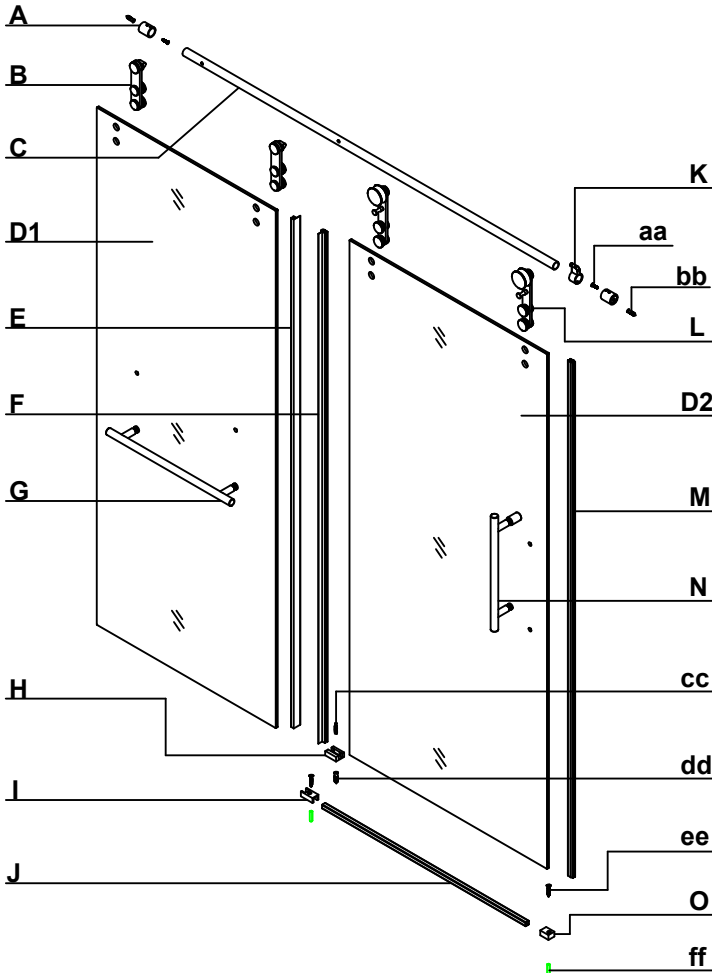
REQUIRED:

Inspect the shower threshold for level with a level or straightedge. Adjust the threshold as necessary until achieving perfectly horizontal.

The threshold must be perfectly horizontal.



PACKAGE CONTENT

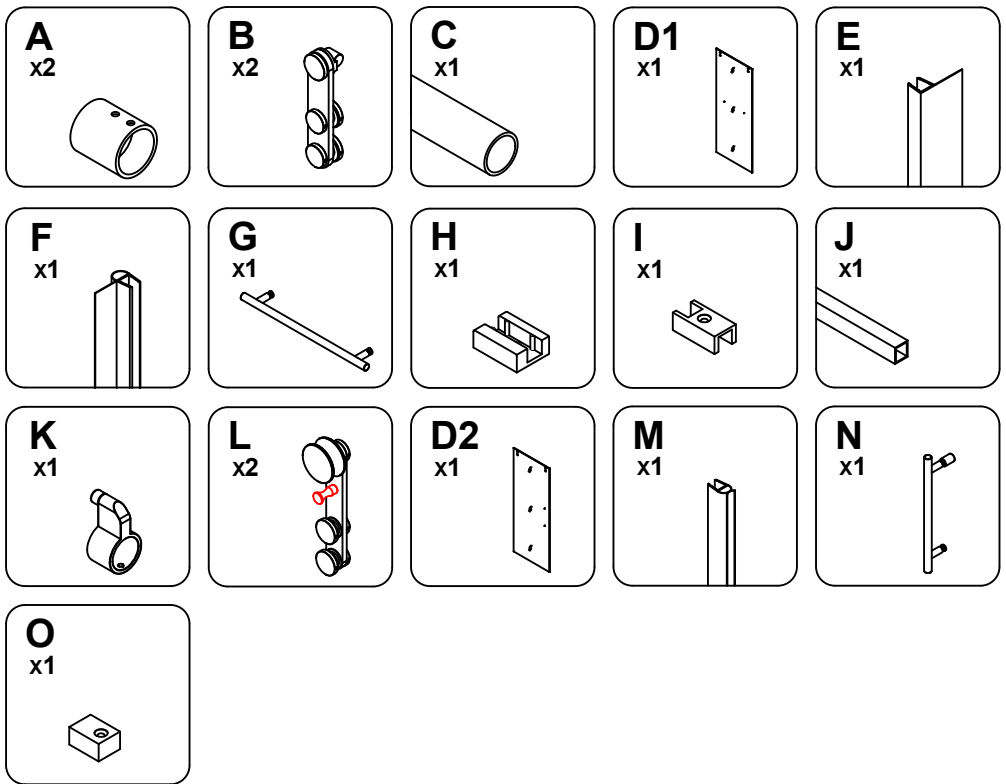


PARTS LIST

PART#	DESCRIPTION	QTY	PART#	DESCRIPTION	QTY
A	Top Track Bracket	2	I	Glass Clamp Water Dam Connector	1
B	Fixed Panel Bracket	2	J	Threshold Water Dam	1
C	Top Track	1	K	Locator	1
D1	Fixed Glass Panel	1	L	Roller	2
E	Water Diverter Seal	1	D2	Sliding Glass Panel	1
F	Sliding Panel Seal	1	M	Side Seal	1
G	Towel bar	1	N	Handle	1
H	Bottom Guide Block	1	O	Wall Side Water Dam End Caps	1

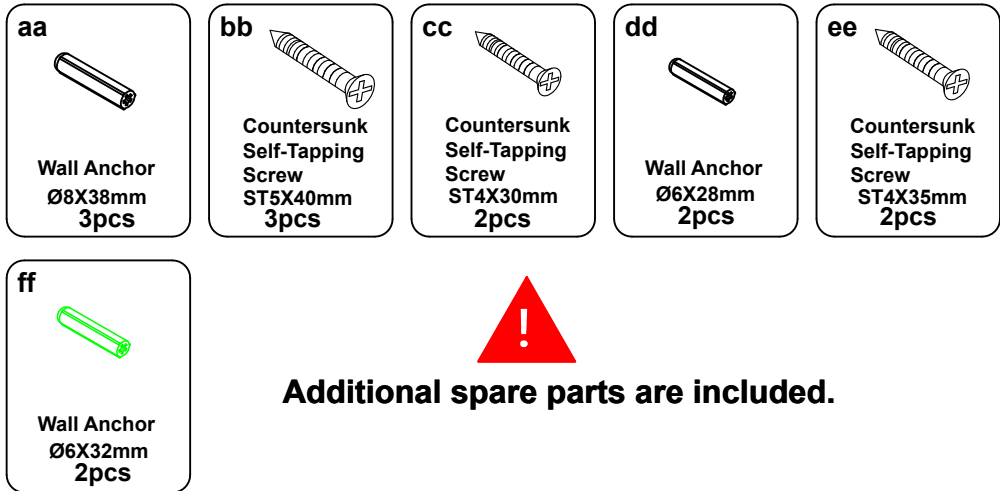
NOTE Inspect all parts for missing prior to installation!
 Contact us for any part missing.

PACKAGE CONTENT



The Roller (L) comes with a pre-installed anti-jump knobs (already in place).

HARDWARE CONTENT



Additional spare parts are included.



Inspect all parts for any missing items prior to installation! Contact us if any parts are missing.


TOOLS REQUIRED

Drill Bits




Ø1/4" & Ø5/16" (6 & 8mm) dia.
HSS

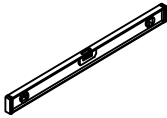
Screw Driver



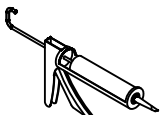
Drill



Level



Sealant



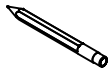
Measuring Tape



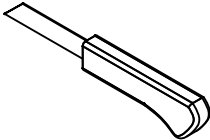
Soft Head Hammer



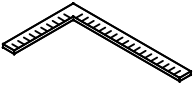
Pencil



Knife



Framing Square




**Masonry Drill Bit For Tile
Ø6mm**



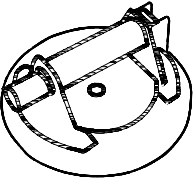
Safety Glasses



Gloves



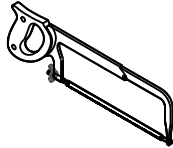
Glass Suction



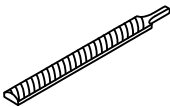
Masking Tape



Hack Saw



Metal File



SAFETY INFORMATION

CAUTION

Please carefully read the following important safety information before handling or installing this shower door. There is a risk of serious injury while handling this product.

To minimize these risks, please note:

- Always wear safety glasses and gloves while handling.
- Always follow the installation instructions.
- Inspect the glass for damage before installation.
- Extreme caution should be taken while handling the glass during installation, as the tempered glass may shatter if it comes into contact with a hard surface.
- Do not cut or modify the tempered glass, as it will shatter if cut.
- Carefully remove the product from its packaging and keep the packaging until the installation is complete.
- Inspect all parts for damage or missing items. If there is any damage or missing parts prior to installation, please contact your seller for help.
- Cover the drain with tape to prevent the loss of small parts.
- The shower base and finished walls should be installed before beginning the shower door installation.
- During installation, protect the shower floor with a drop cloth to prevent damage.
- This product should be installed by two people who are familiar with construction requirements. Professional installation is recommended!
- Keep this installation manual for future reference.

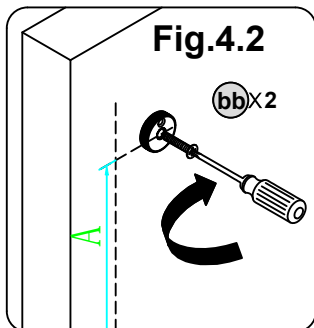
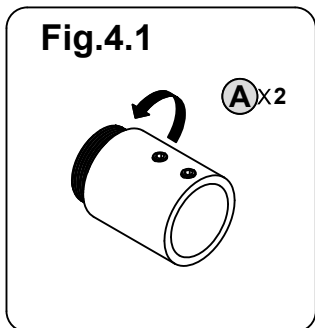
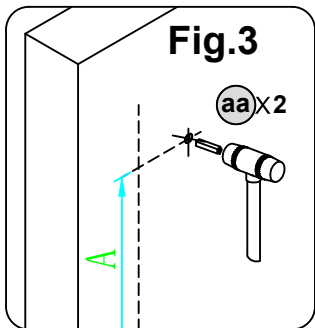
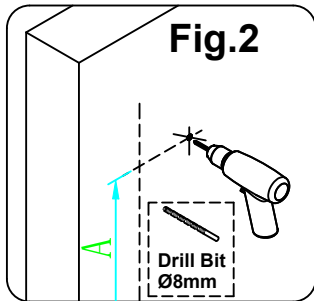
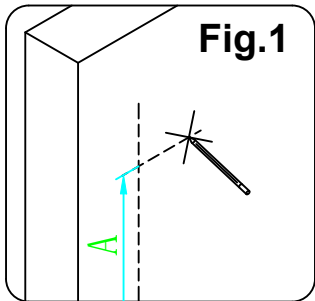
NOTE: Two people should perform this installation.



1 Install **Top Track Bracket (A)**

1. Mark a point 1" (25.4mm) from the edge at A" height using a pencil.
2. Drill an Ø8mm hole at the mark using a drill.
3. Tap the **Wall Anchor Ø8X38mm(aa)** into the hole with a soft head hammer.
4. Secure the left and right **Top Track Bracket (A)** to the wall with **Countersunk Self-Tapping Screw ST5X40 (bb)**.

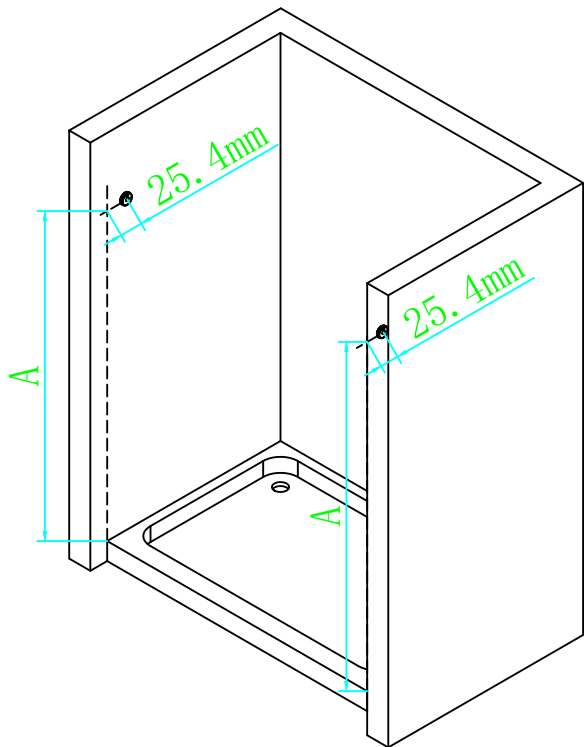
NOTE



Product Height	A
60"(1524mm)	57 33/64"(1461mm)
66"(1676mm)	63 1/2"(1613mm)
70"(1778mm)	67 33/64"(1715mm)
72"(1828mm)	69 31/64"(1765mm)
74"(1880mm)	71 17/32"(1817mm)
76"(1930mm)	73 1/2"(1867mm)
78"(1981mm)	75 33/64"(1918mm)
79"(2006mm)	76 1/2"(1943mm)
80"(2032mm)	77 33/64"(1969mm)

*A=product height-2 1/2"(63mm)

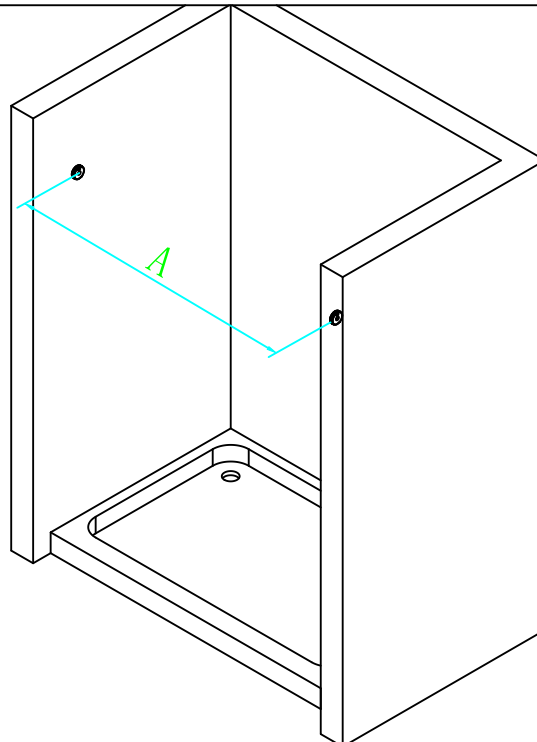
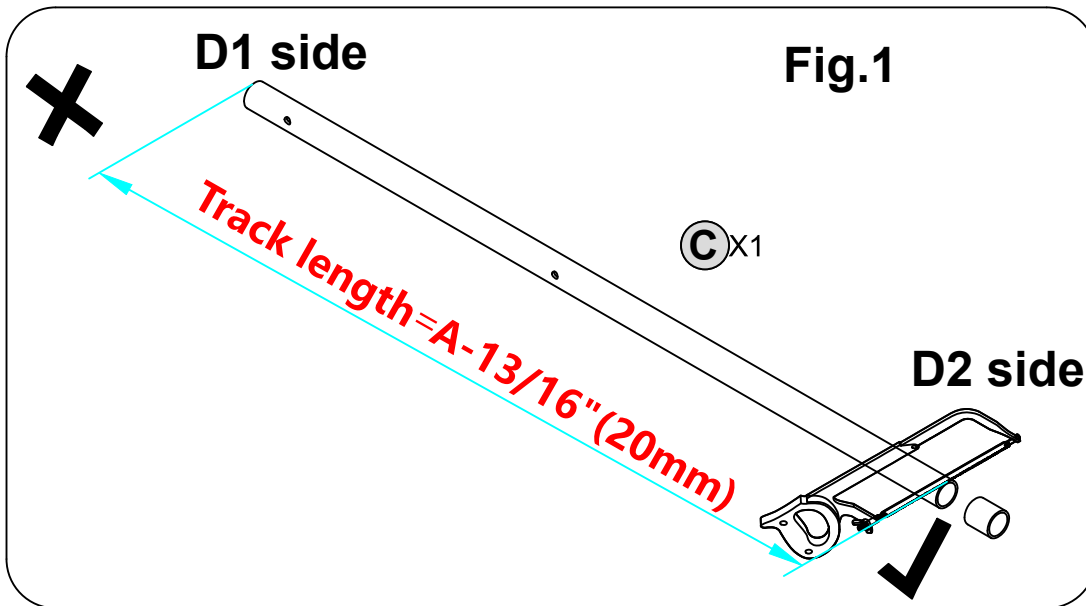
*Without the size, please contact the local dealer.



2 Adjust the **Top Track (C)**

NOTE

Measure and cut the **Top Track (C)** to fit your installation space.
 Note: Only cut the end facing the **Sliding Glass Panel (D2)**. Do not cut the end facing the **Fixed Glass Panel (D1)**.

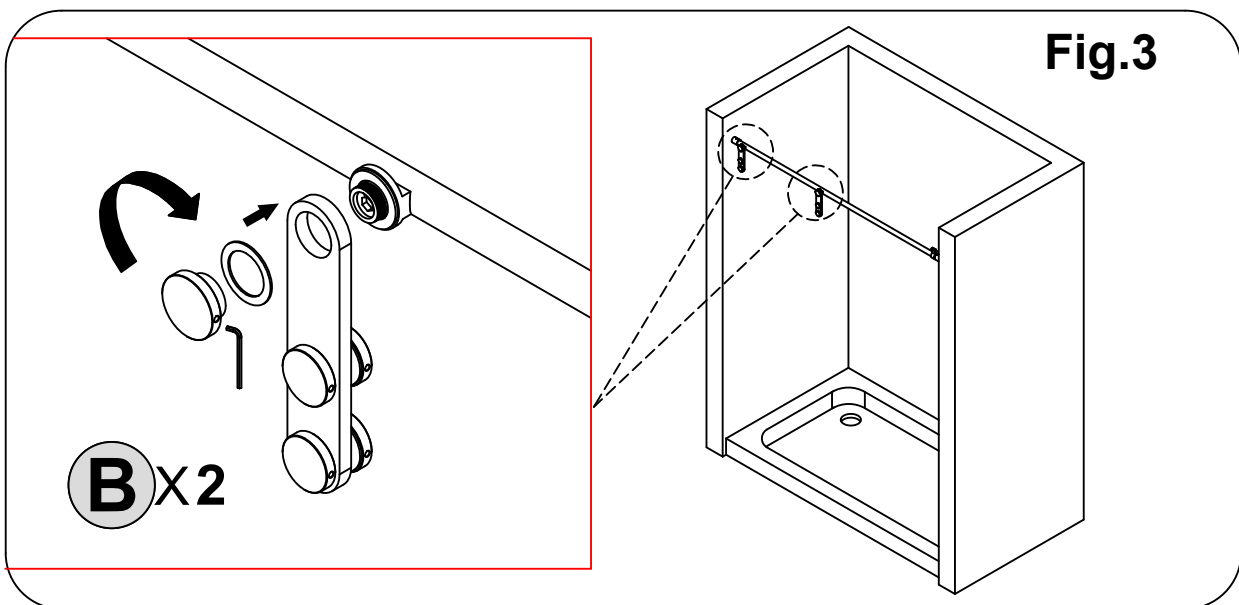
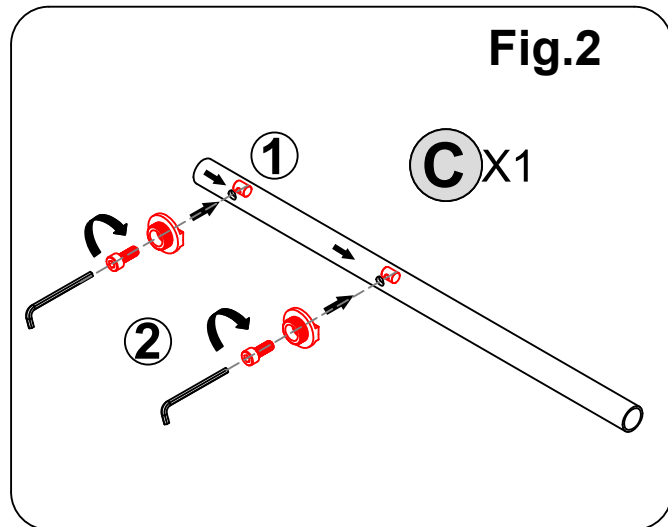
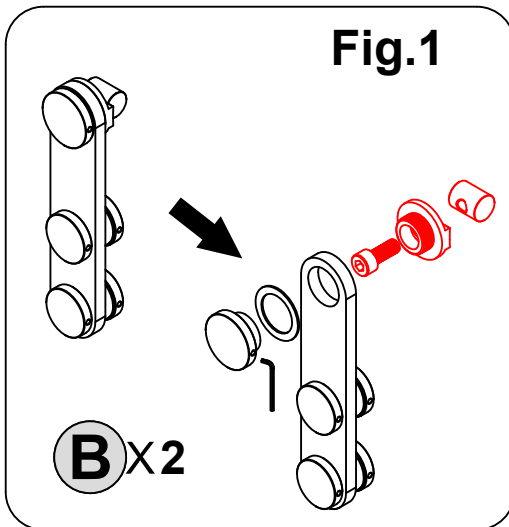


3 Install Fixed Panel Bracket (B)

NOTE

1. Loosen and separate the glass bolts on the **Fixed Panel Bracket (B)** using a hex key.
2. Insert the **Fixed Panel Bracket (B)** into the **Top Track (C)**. Tighten the bolts onto the track with a hex key.
3. Secure the **Fixed Panel Bracket (B)** to the **Top Track (C)** using the provided washers and bolt caps.

OPTION 1 When the **fixed panel** is installed **on the left side**

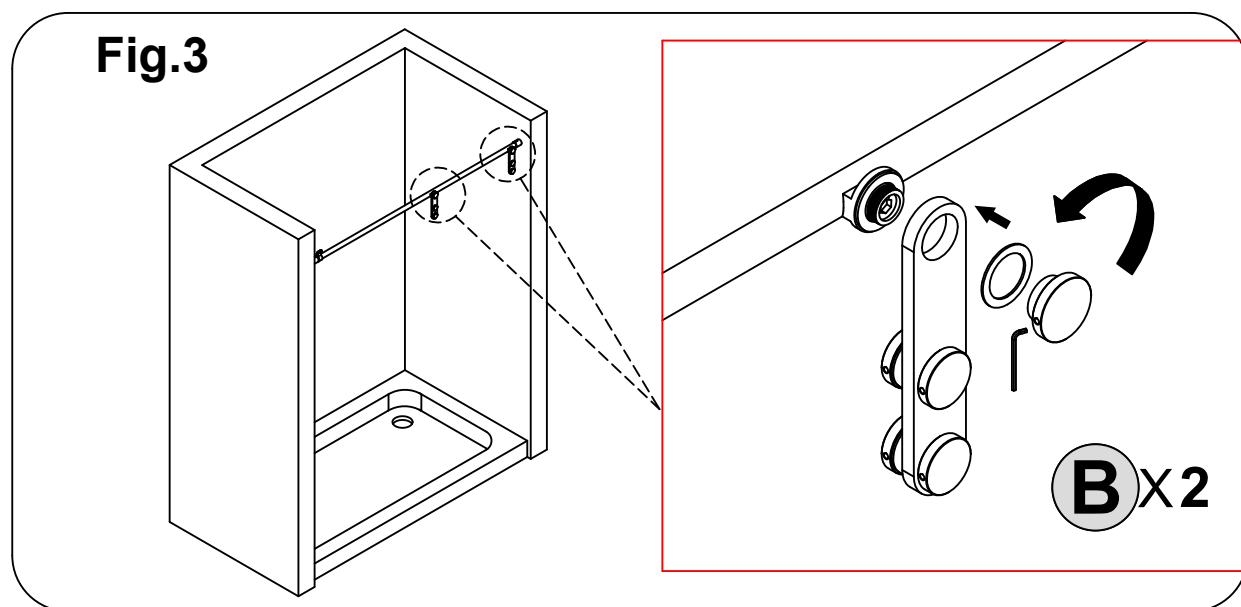
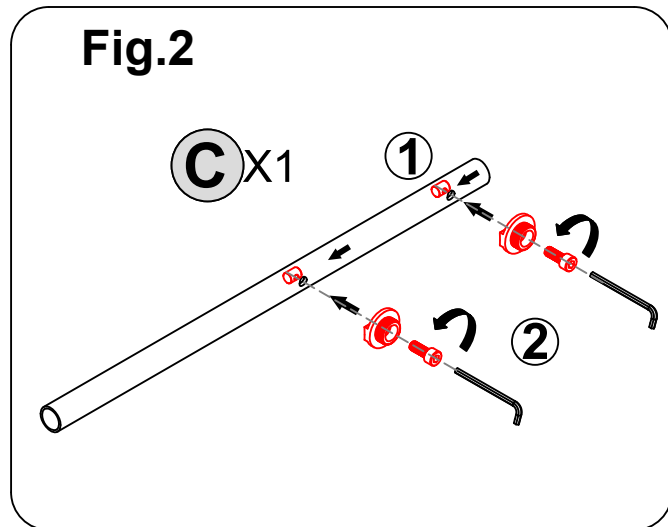
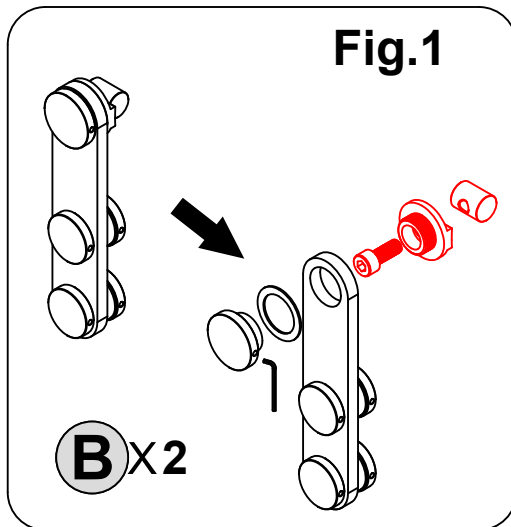


4 Install Fixed Panel Bracket (B)

NOTE

1. Loosen and separate the glass bolts on the **Fixed Panel Bracket (B)** using a hex key.
2. Insert the **Fixed Panel Bracket (B)** into the **Top Track (C)**. Tighten the bolts onto the track with a hex key.
3. Secure the **Fixed Panel Bracket (B)** to the **Top Track (C)** using the provided washers and bolt caps.

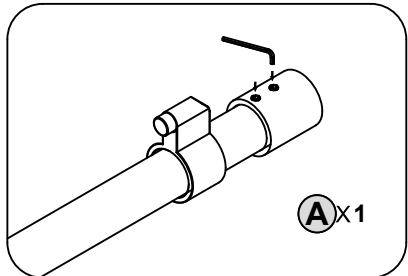
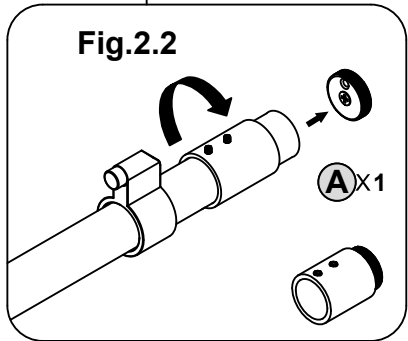
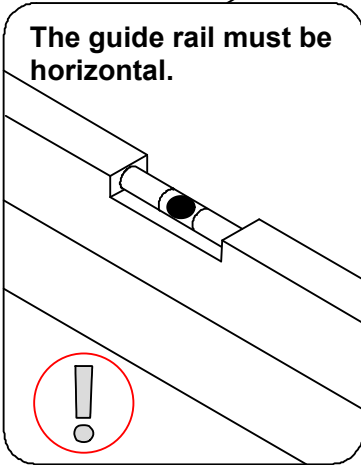
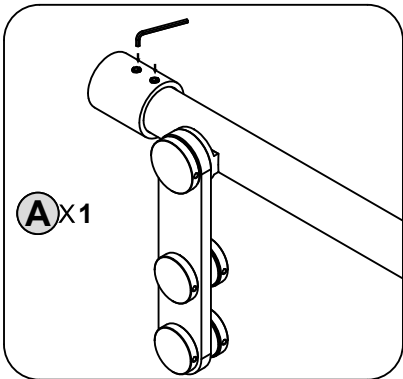
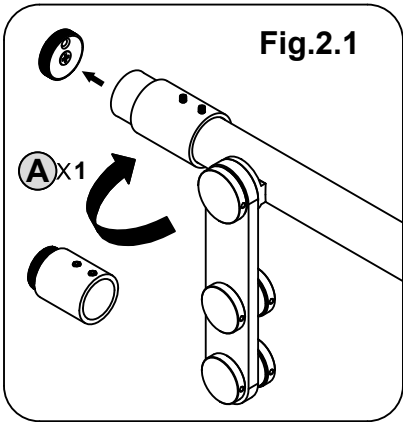
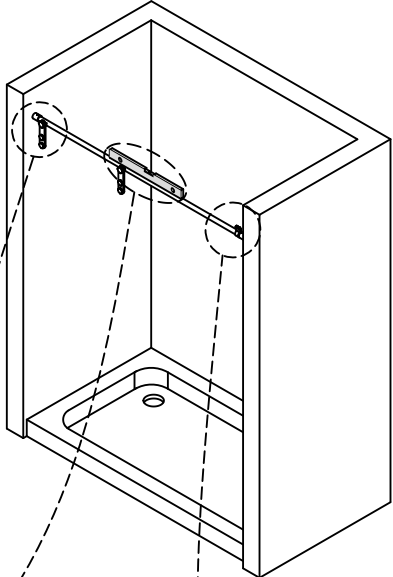
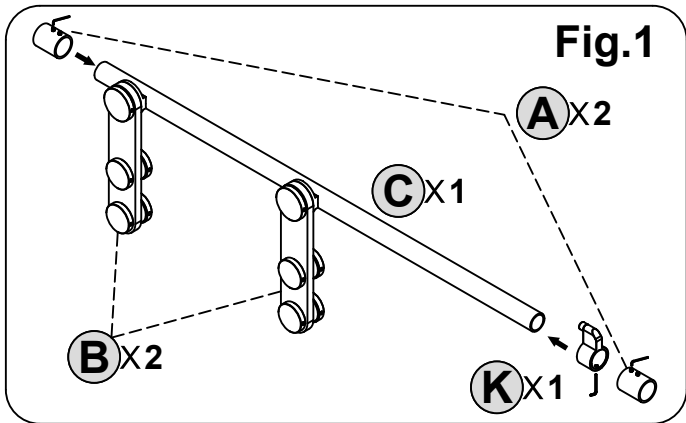
OPTION 2 When the **fixed panel** is installed **on the right side**



5 Mount the **Top Track (C)**

NOTE

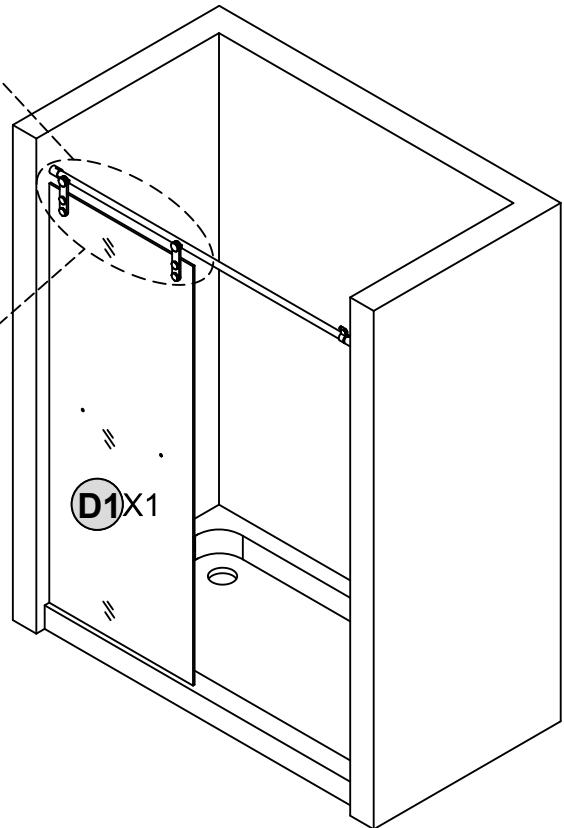
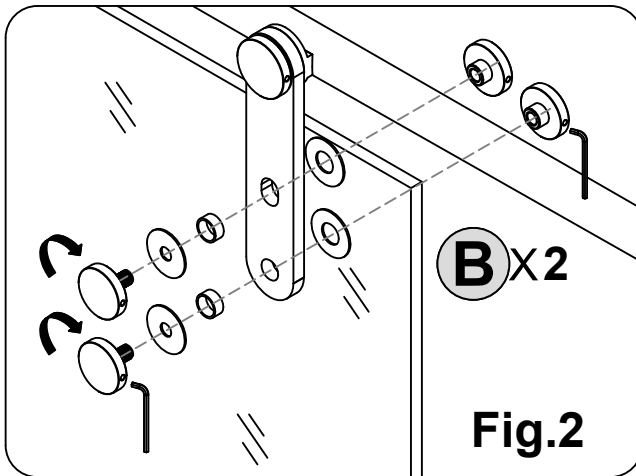
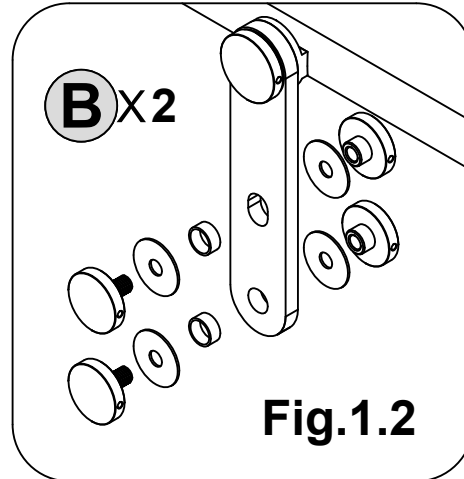
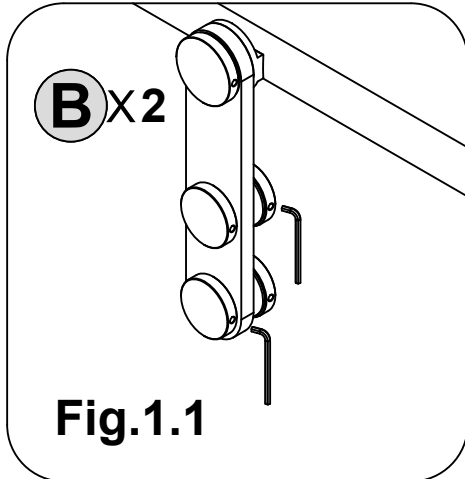
1. Loosen the set screws on the **Top Track Bracket (A)** and **Locator (K)**. Slide the **Top Track (C)** into the brackets and **Locator (K)**.
2. Attach the **Top Track Bracket (A)** to the wall-mounted bracket bases. Tighten the set screws on the brackets with a hex key.



6 Install the **Fixed Glass Panel (D1)**

NOTE

1. Loosen and separate the glass bolts on the **Fixed Panel Bracket (B)**.
2. Align the **Fixed Glass Panel (D1)** with the **Fixed Panel Bracket (B)**. Use all plastic washers and spacers to protect the glass. Tighten the bolts with a hex key.



7 Install the **Bottom Guide Block (H)**

NOTE

1. Align the **Bottom Guide Block (H)** flush with the edge of the **Fixed Glass Panel (D1)**. Mark a point 7.2mm inward from the panel's inner edge.
2. Drill an $\varnothing 6\text{mm}$ hole at the mark.
3. Tap the **Wall Anchor $\varnothing 6\text{X}28\text{mm}$ (dd)** into the hole with a soft head hammer.
4. Secure the **Bottom Guide Block (H)** to the floor using **Countersunk Self-Tapping Screw ST4X30 (cc)**.

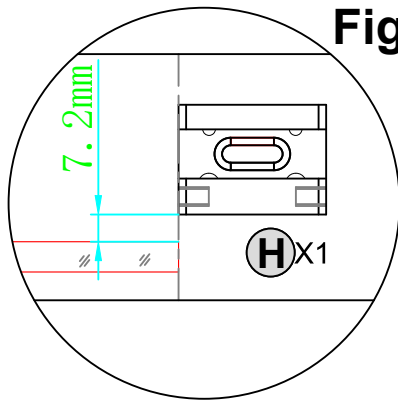


Fig.1.1

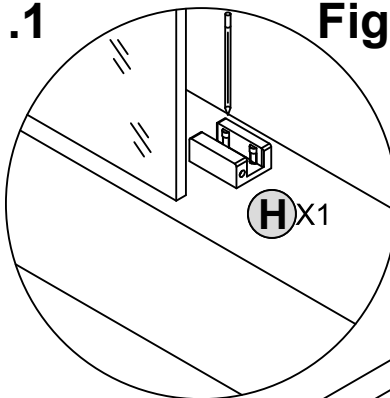


Fig.1.2

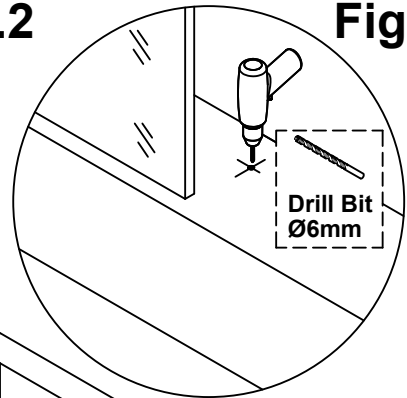


Fig.2

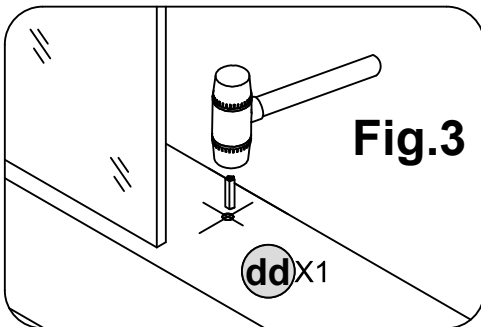


Fig.3

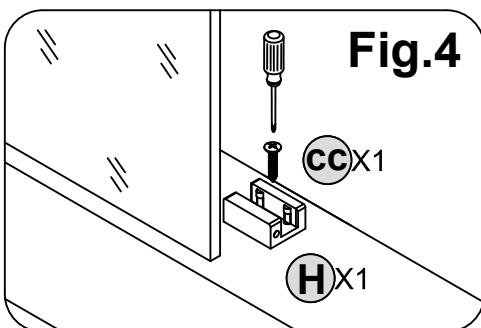
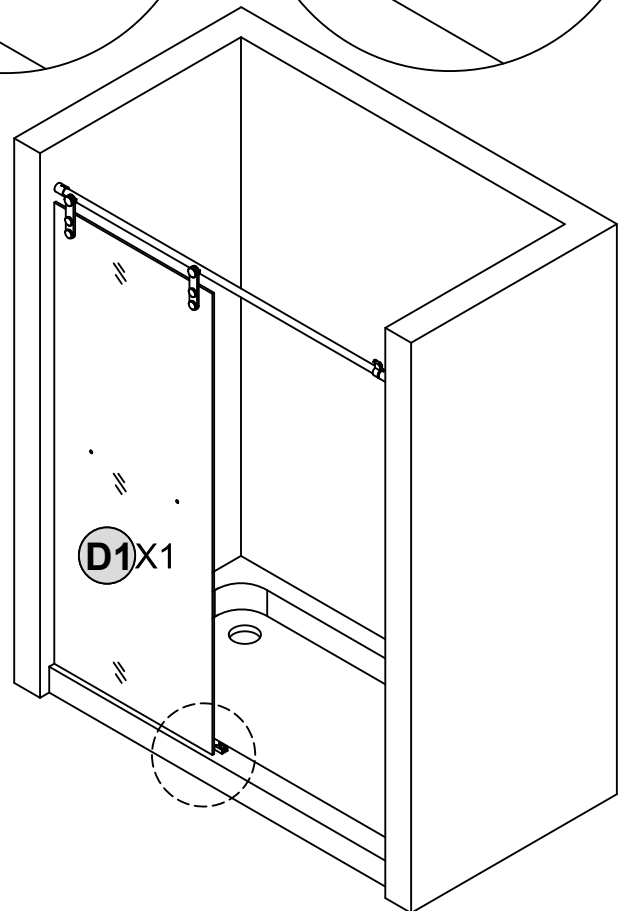
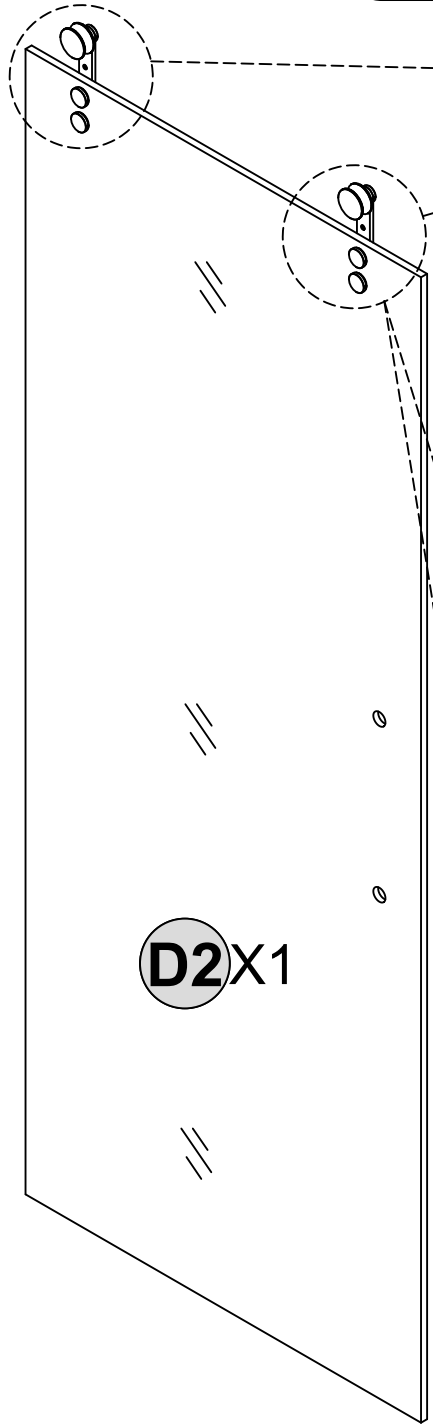
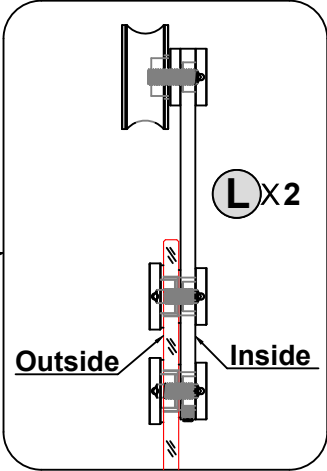


Fig.4

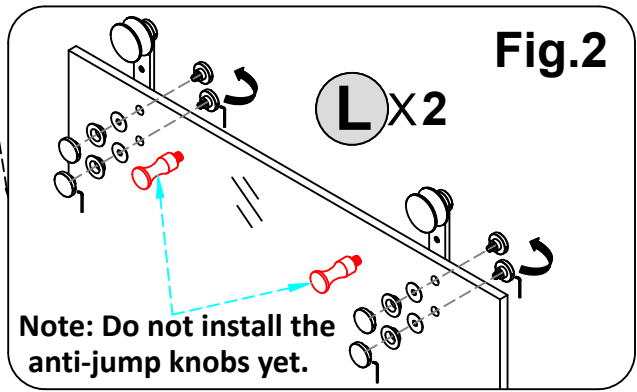
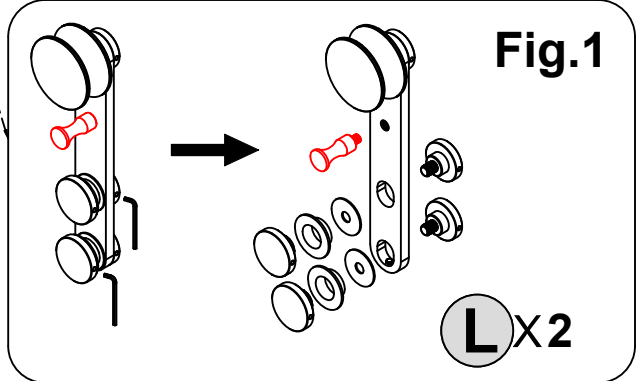


8 Install Roller (L) to the Sliding Glass Panel (D2)

NOTE The roller should face outward

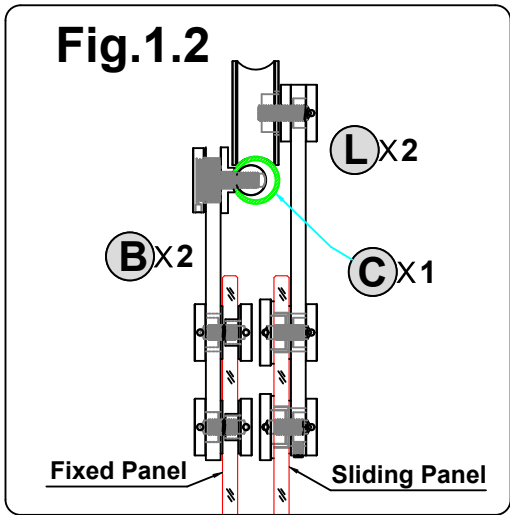
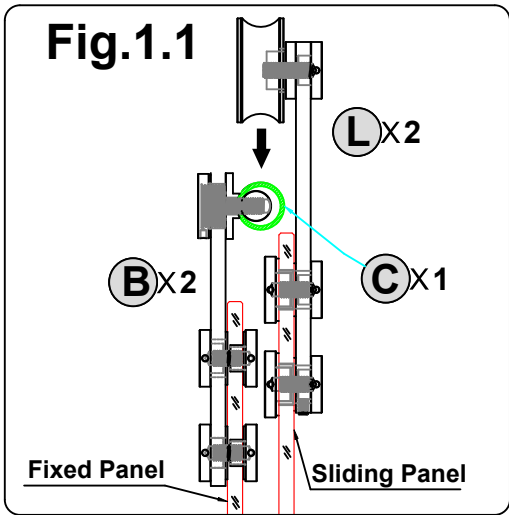


- 1. Loosen and separate the bolts on the **Roller (L)** using a hex key.
- 2. Attach the **Roller (L)** to the **Sliding Glass Panel (D2)**. Use all plastic washers and spacers to protect the glass. Tighten the bolts with a hex key.

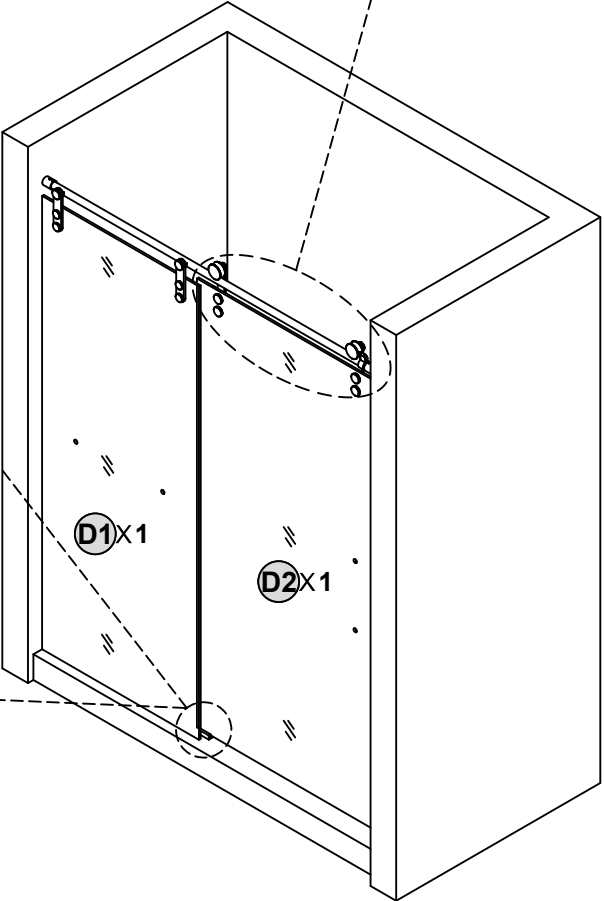
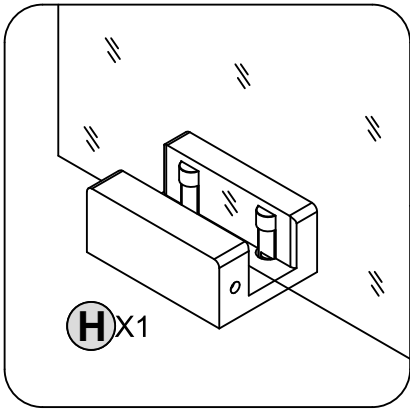
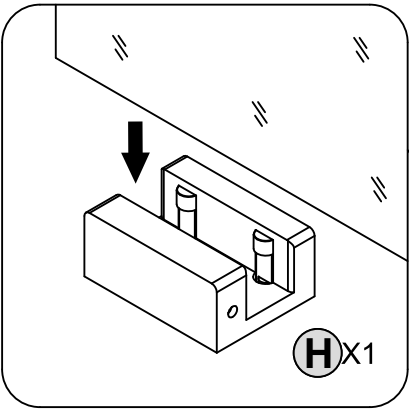


9 Install **Sliding Glass Panel (D2)**

NOTE 1. Lift the **Sliding Glass Panel (D2)** and place the **Roller (L)** onto the **Top Track (C)** .



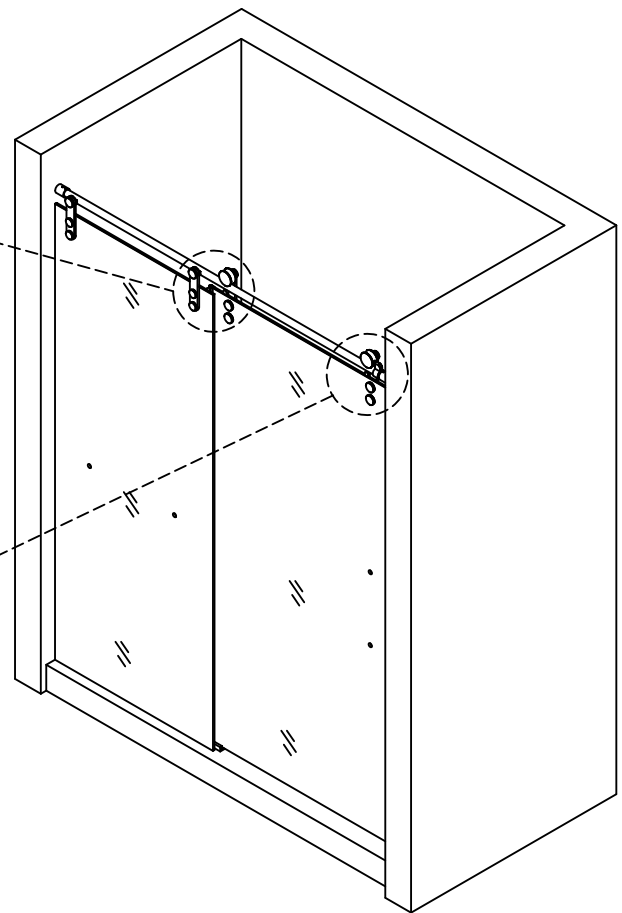
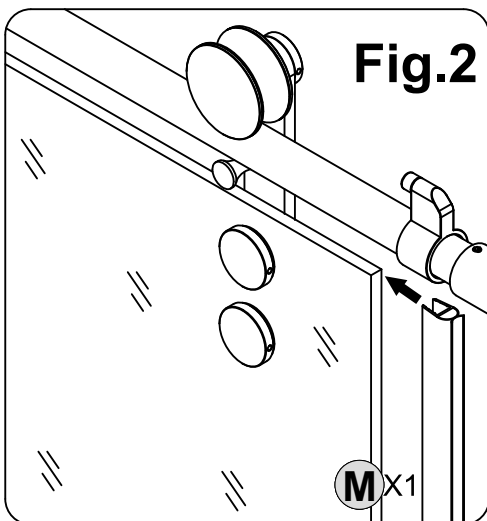
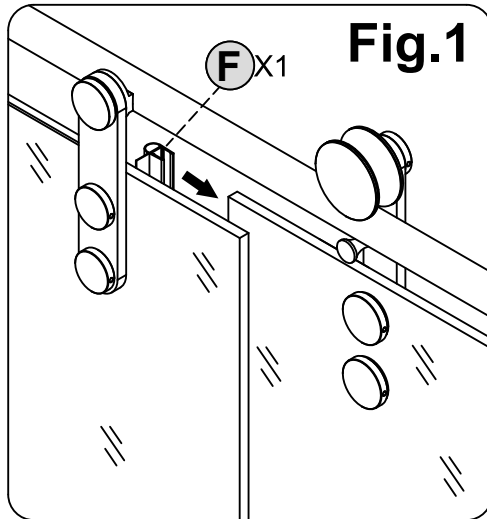
2. Slide the bottom of the panel into the **Bottom Guide Block (H)**.



10 Attach Seals: **Sliding Panel Seal (F)** and **Side Seal (M)**

NOTE

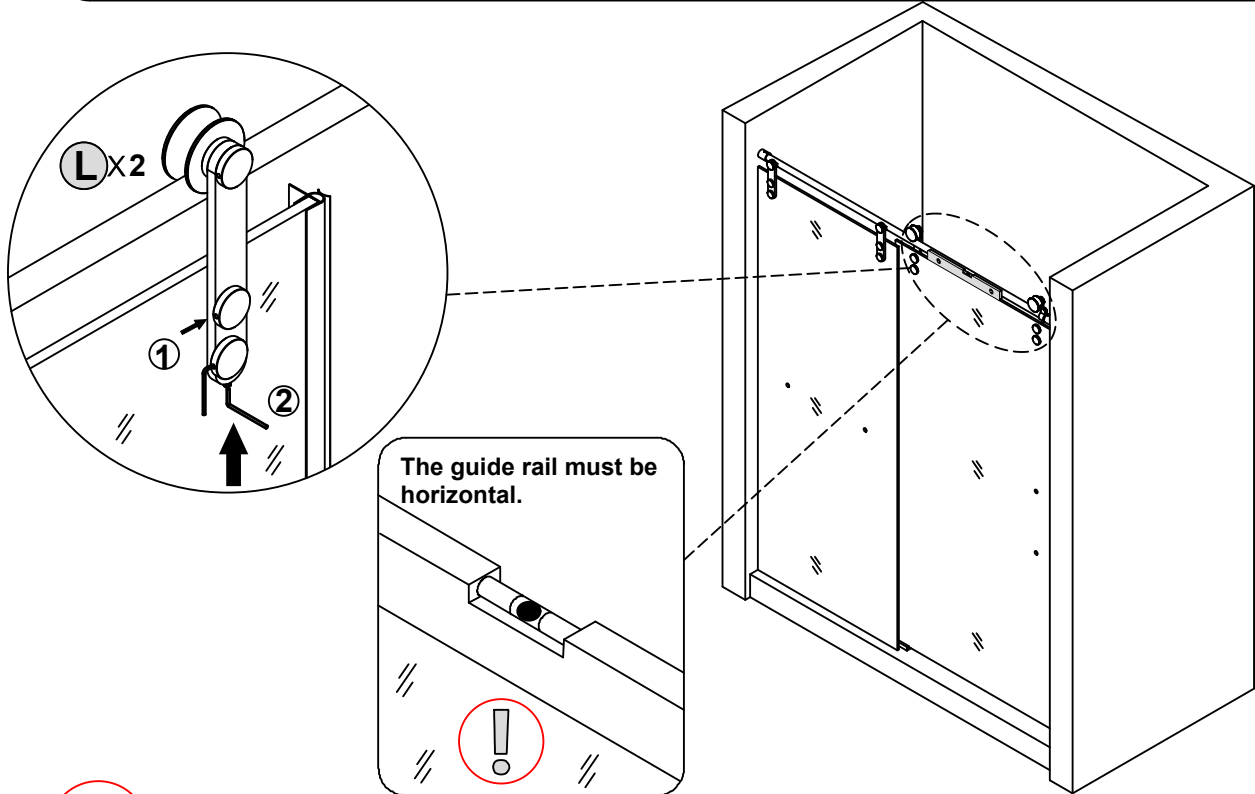
1. Install the **Sliding Panel Seal (F)** on the **Sliding Glass Panel (D2)**.
2. Attach the **Side Seal (M)** to the **Sliding Glass Panel (D2)**.



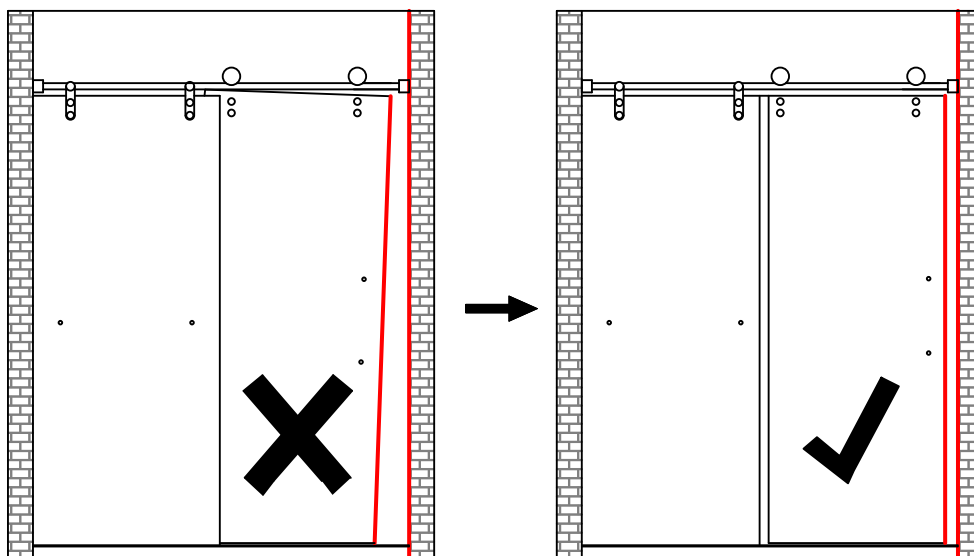
11 Adjust the Height of the **Sliding Glass Panel (D2)**

NOTE

1. Using a hex key, loosen the top set screw ① on the **Roller (L)**. Then loosen the bottom set screw.
2. Adjust the **Sliding Glass Panel (D2)** to the appropriate height, ensuring smooth sliding and proper sealing when opening and closing the door.
3. Use a hex key to tighten both the top set screw ① on the glass clamps and the bottom set screw ②.



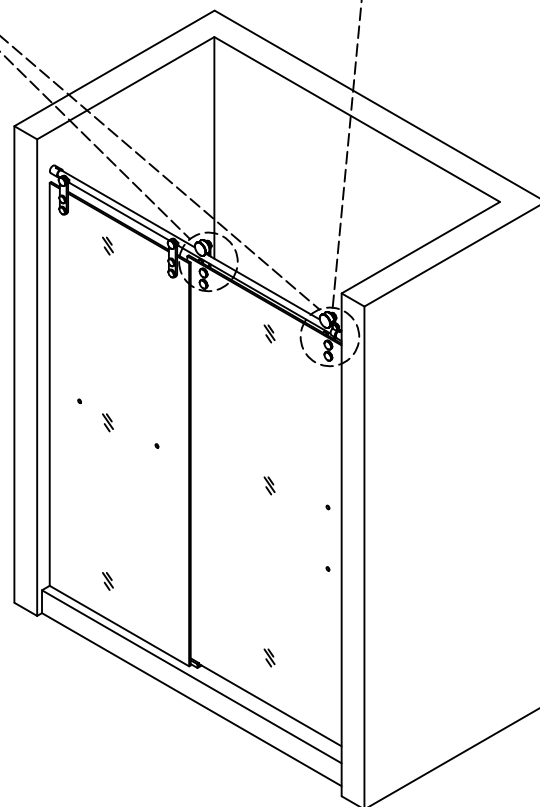
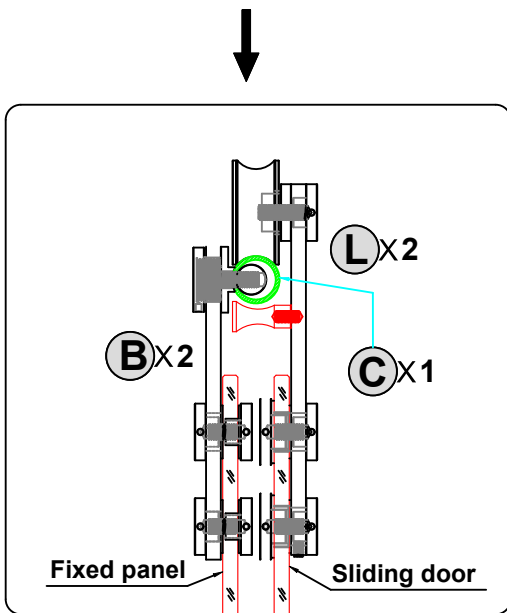
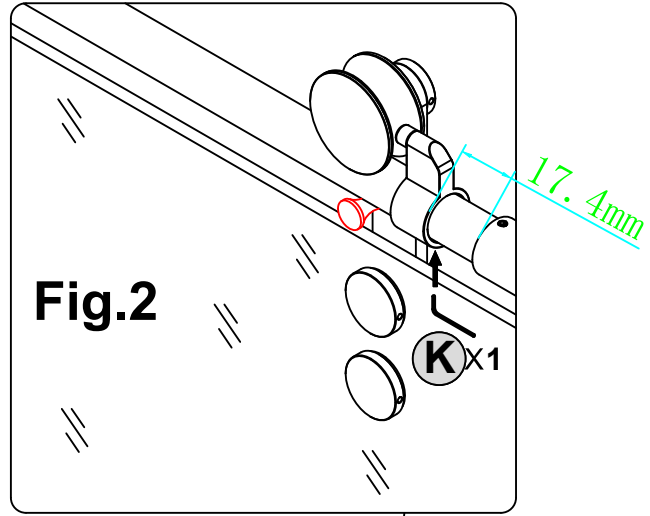
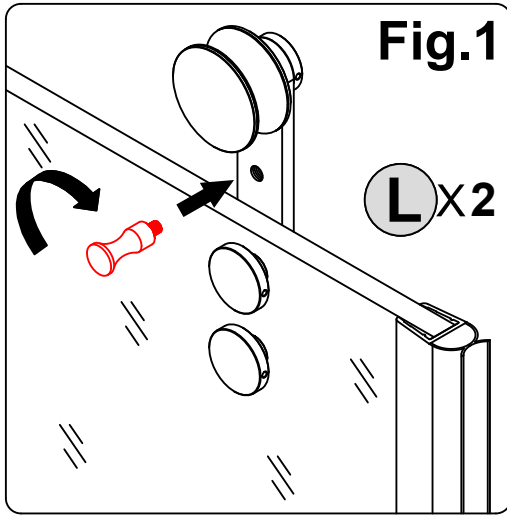
NOTE



12 Install Anti-Jump Knobs on **Roller (L)**

NOTE

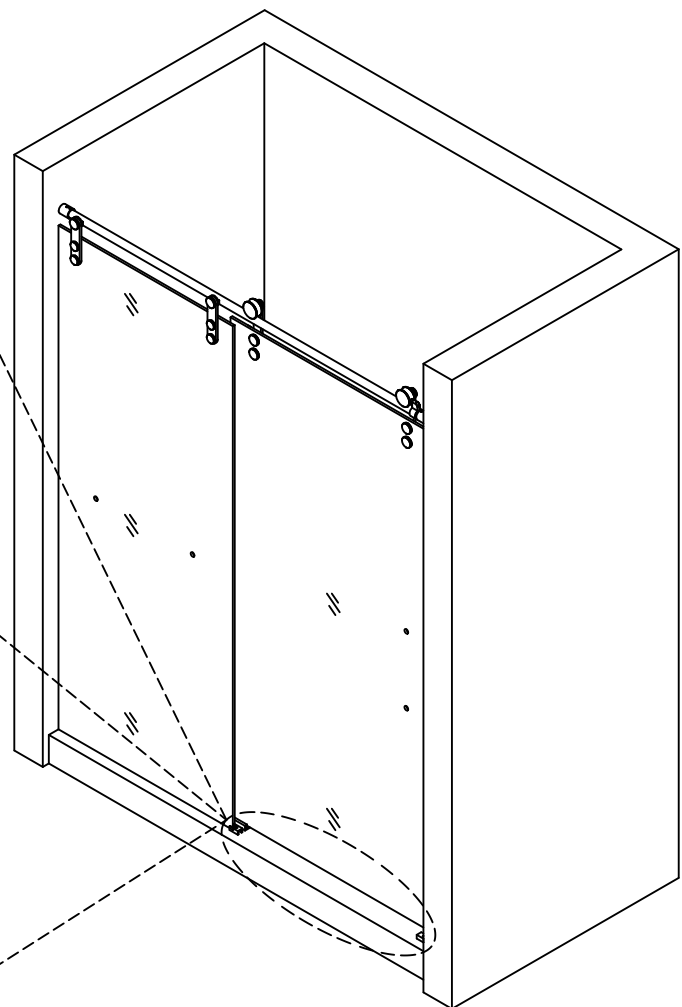
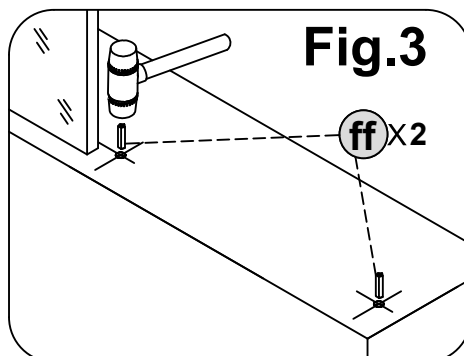
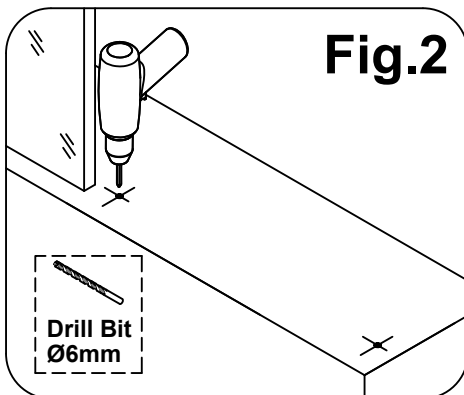
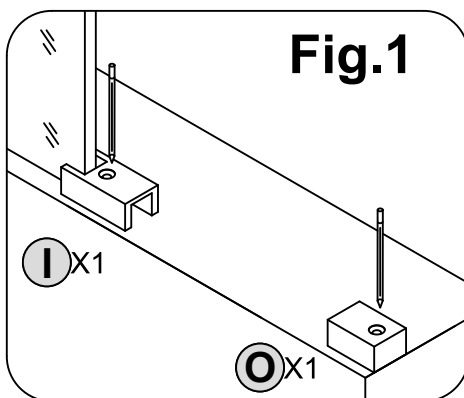
1. Secure the anti-jump knobs onto the **Rollers (L)**.
2. Adjust the **Locator (K)** to the position 11/16" (17.4mm) away from the edge of **Top Track Bracket (A)**, then use a hex key to tighten the set screws on the **Locator (K)**.



13 Install Glass Clamp Water Dam Connector (I) and Wall Side Water Dam End Caps (O)

NOTE

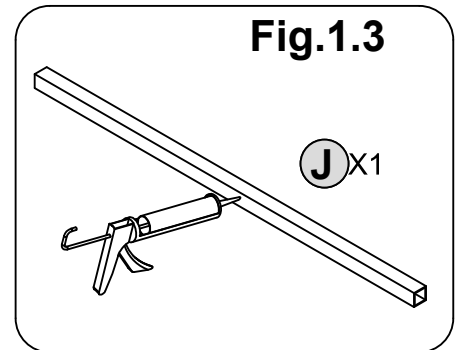
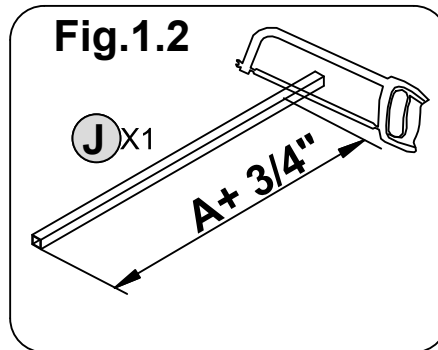
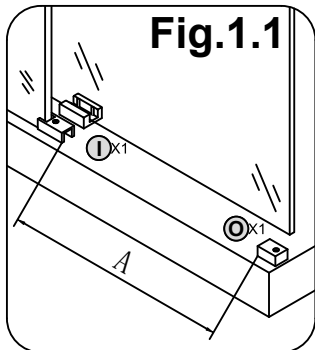
1. Insert the **Glass Clamp Water Dam Connector (I)** onto the **Fixed Glass Panel (D1)**, place the **Wall Side Water Dam End Caps (O)** flat against the wall. Ensure that the **Wall Side Water Dam End Caps (O)** is horizontally aligned with the **Water Dam Connector (I)** on the **Fixed Glass Panel (D1)**, and mark the position with a pencil.
2. Drill a 6mm hole at each marked position using an electric drill.
3. Use a soft-head hammer to drive the **Wall Anchor Ø6x32mm (ff)** anchor into the floor.



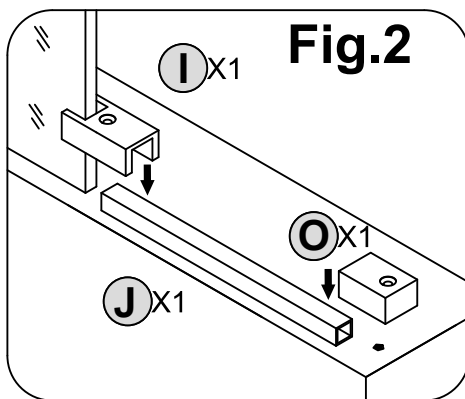
14 Install the **Threshold Water Dam (J)**

NOTE

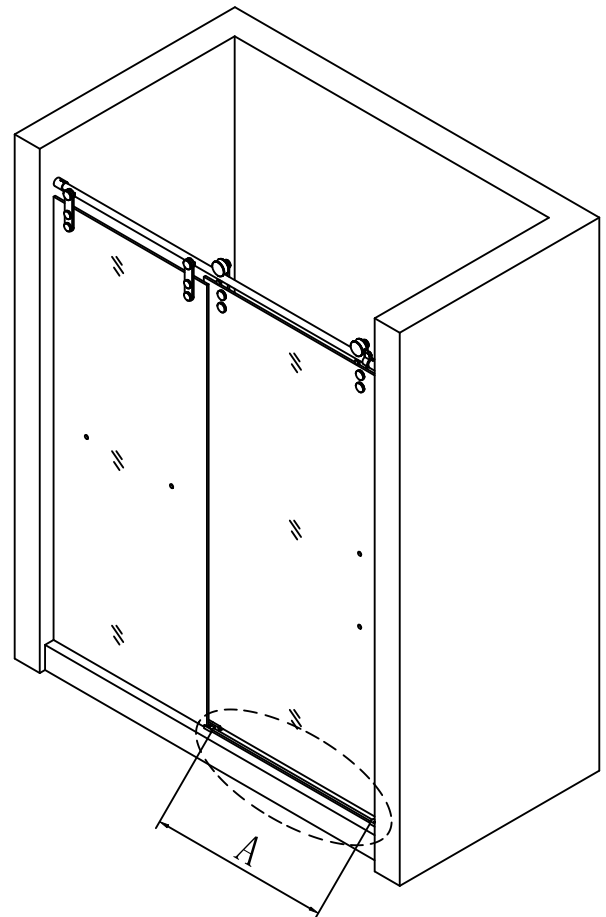
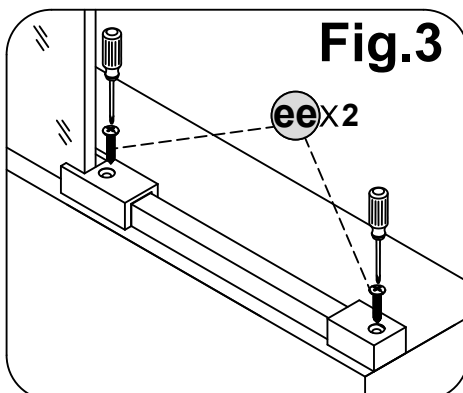
1. Measure and cut the **Threshold Water Dam (J)** to length ($A + \frac{3}{4}$ "). Apply silicone sealant to its bottom edge.



2. Insert the **Threshold Water Dam (J)** into the **Water Dam Connector (I)** and **Wall Side Water Dam End Caps (O)**



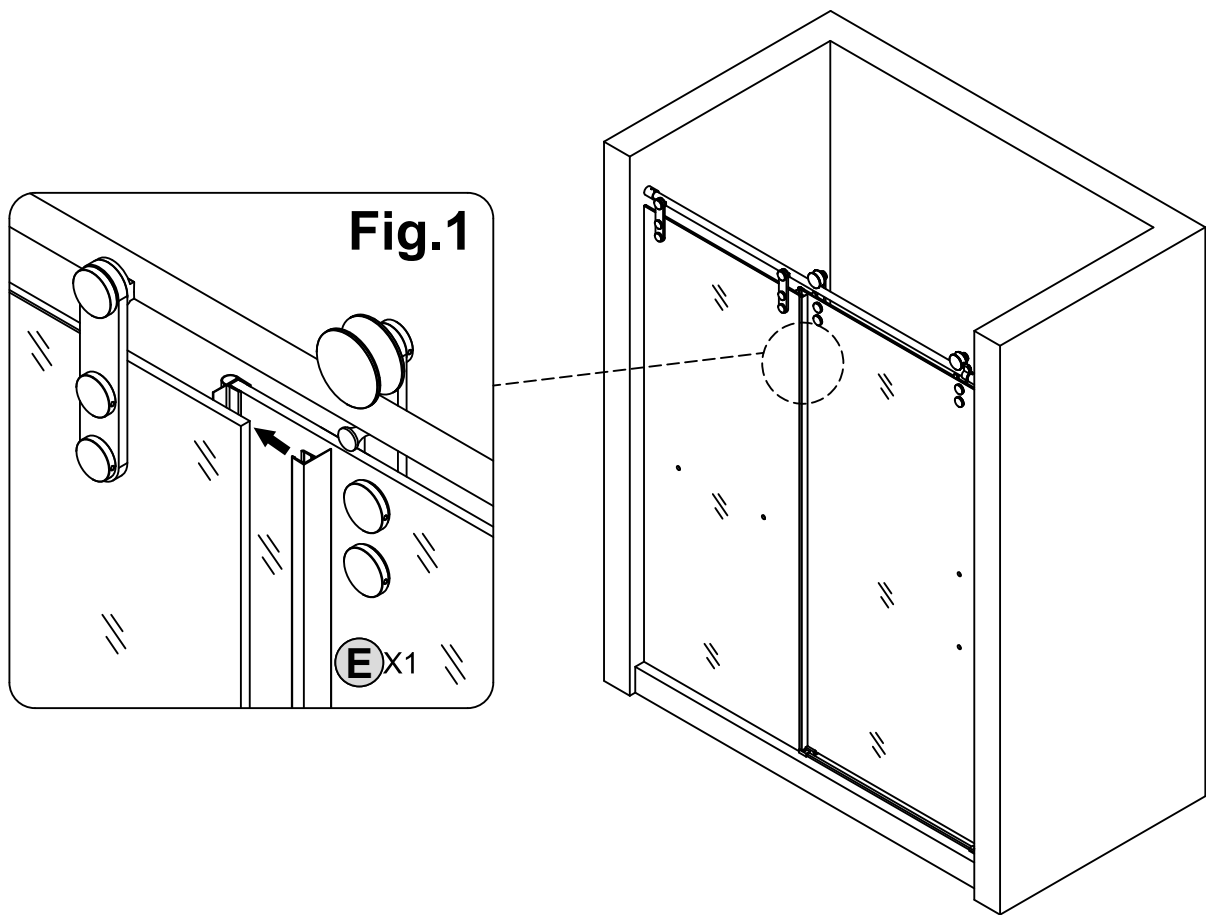
3. Secure the **Glass Clamp Water Dam Connector (I)** and **Wall Side Water Dam End Caps (O)** to the ground by **countersunk self-tapping screws ST4X35mm (ee)**.



15 Attaching Seals: **Water Diverter Seal(E)**

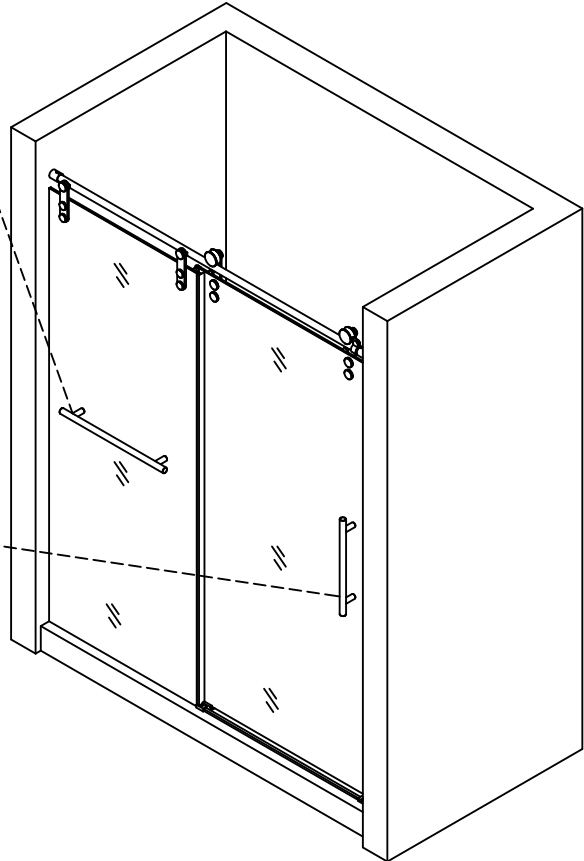
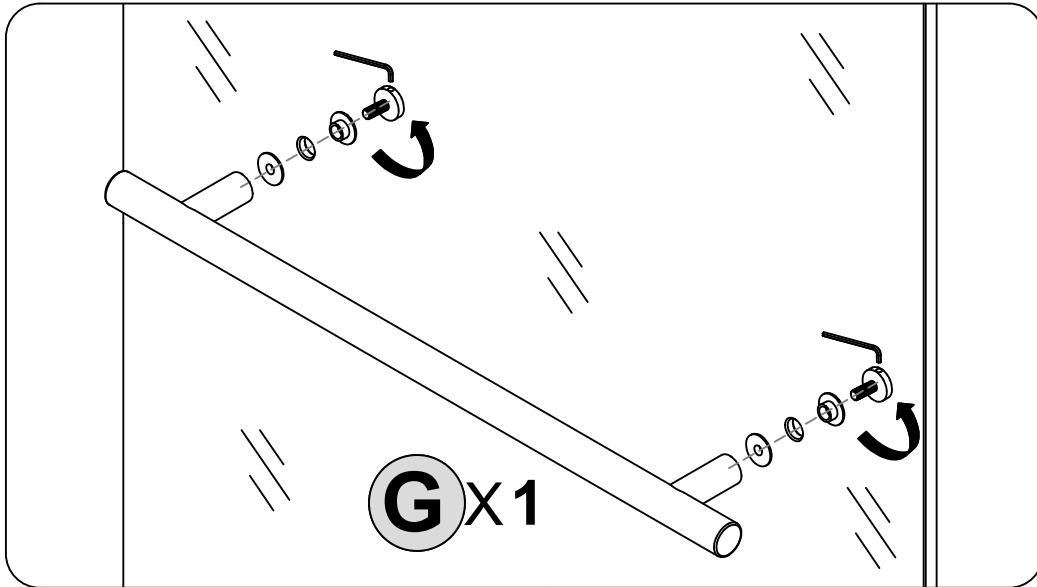
NOTE

1. Install the **Water Diverter Seal(E)** on the **Fixed Glass Panel (D1)**.



16 Install **Towel Bar (G)** and **Handle (N)****NOTE**

Mount the **Towel Bar (G)** on the **Fixed Glass Panel (D1)**. Attach the **Handle (N)** to the **Sliding Glass Panel (D2)**. Use all protective films to safeguard the glass.



17 SEALING

NOTE

The surfaces need to be clean and free of debris before applying silicone.

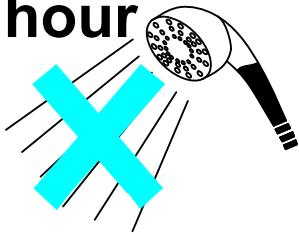
NOTE

Make sure that the shower door is tightly closed and opens smoothly. Use silicone sealant to seal on the seals between the **fixed glass panel(D1)** and the wall, and on the bottom of the **fixed glass panel(D1)** and the **waterproof threshold(J)**.



Allow 24 hours for the silicone to cure before using the shower.

**24
hour**



Apply silicone sealant on the bottom of the **fixed glass panel(D1)** and the **waterproof threshold(J)**.

