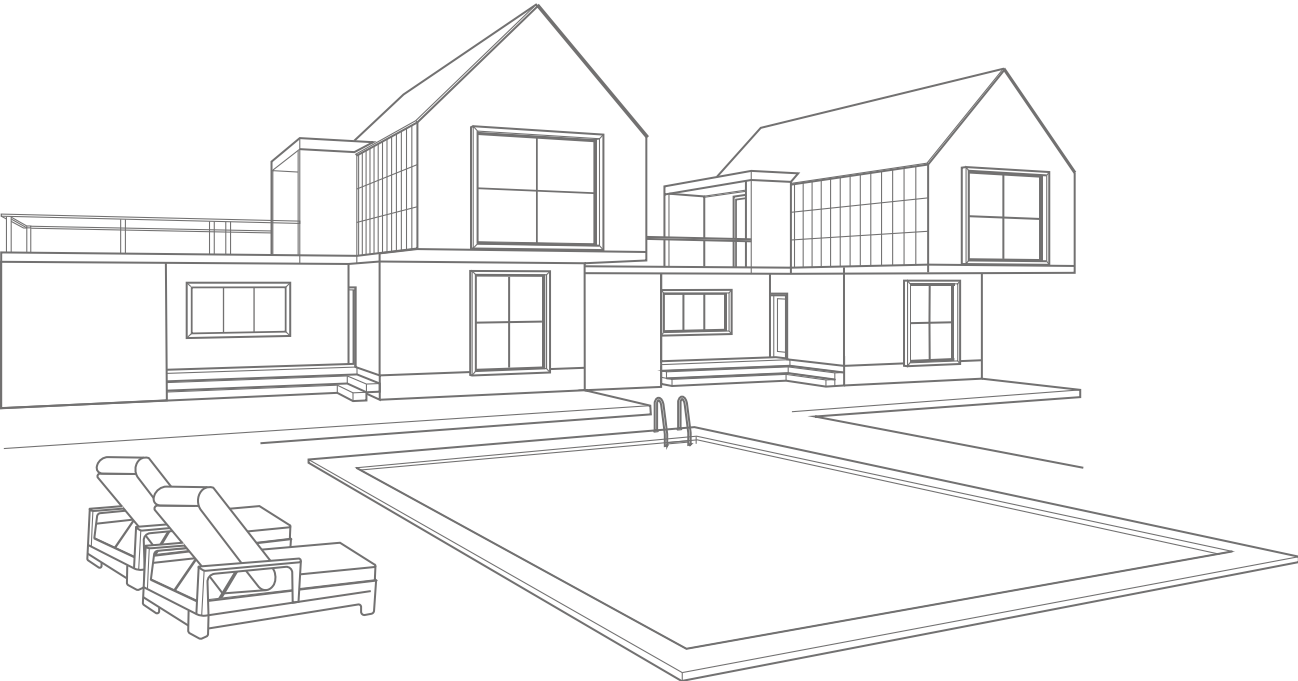


Corner Cabinet

Product ID. 7ARES



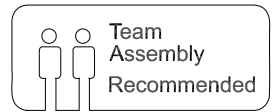
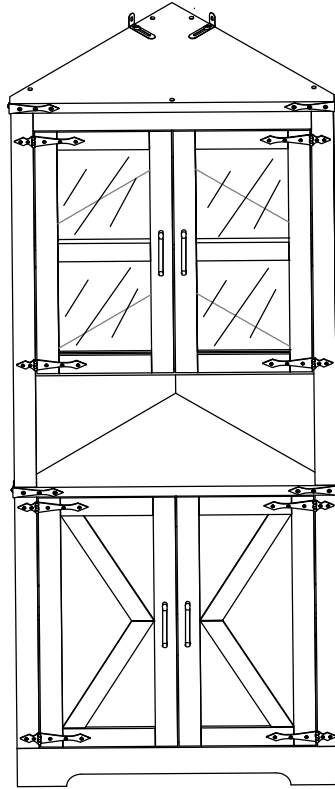
Scan for Support
support@garvee.com



Distributed by
GARVEE.com

V260401HIDY

Garveehome Assembly Instruction



Trouble shooting:

Missing / Wrong / Broken parts and installation issues



Send email with your question pic, order NO. and screenshot of order details to:
support@garvee.com



Respond within 24 hours



Issue resolved

Tips!



1. Check all the components & screws are intact before assembling .
 2. If you notice any pieces are missing or damaged please do not assemble and contact us immediately .
 3. **Please send an email with you order number and issues, we will respond within 24 hours.**
- Customer Service Team:** support@garvee.com

IMPORTANT SAFETY INFORMATION

Please carefully read the following instructions and caution warnings before assembling the product.

Following this guide will ensure that you install, use and maintain the product properly.

Please keep this installation and user manual/instructions for future reference in case you need to disassemble the product.

Never allow children to climb onto the product. Ensure that you have special safety measures when children are around on their own.

Be sure to check that all parts of the product are intact after you open the package.

Do not assemble if you notice serious damage such as cracks or bends.

During installation, please use work gloves for hand safety.

Please assemble the unit on carpeted floor or the flat cardboard box to avoid scratching the surface or your floor while assembling on the floor.

To assemble, please use the complimentary installation tools (Phillips screwdriver). Pay more attention to the direction of components at each steps.

It is recommended that two people work together to assemble the product.

RETURN POLICY

Please contact us directly within 30 days after receiving.

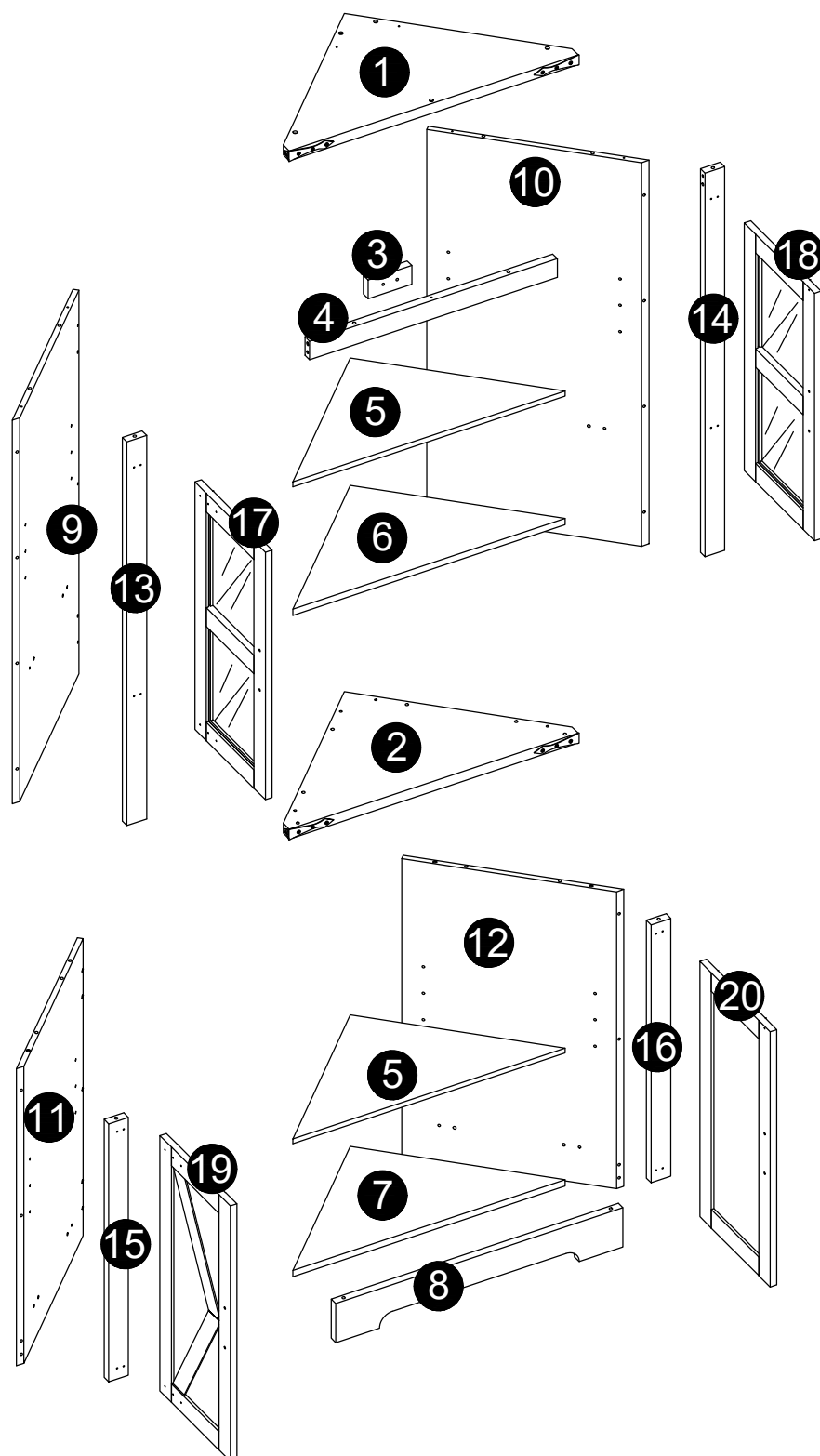
Please ensure the product is in a good condition with the original box and all original certificates of purchase, manuals, and accessories attached.

HOW TO MAINTAIN YOUR PRODUCT:

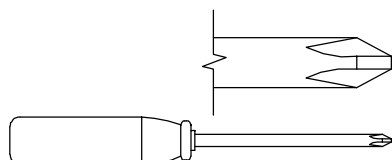
- Check the screws of the product are not loose from regular use.
- Do not use sharp instruments, rubbing alcohol, corrosive chemicals, or abrasive cleaners to clean the product.
- Do not keep the product in a damp environment for a long period of time.
The damp environment may cause the iron components to rust and the plates to bulge and crack.

COMPONENT PARTS

Please check that you have all the parts listed below.

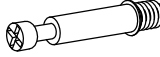




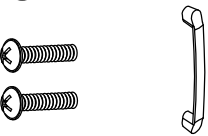
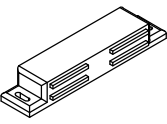
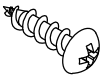
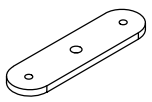

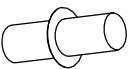
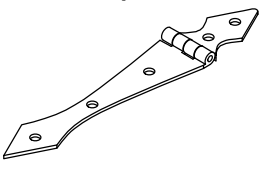
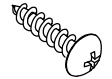
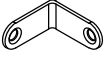
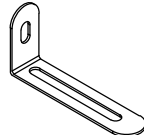
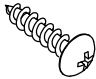
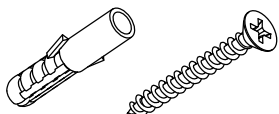


Two or more persons are needed for assembly and 60 minutes for assembly.
Please use the screwdriver corresponding to the shape and size of the screws.

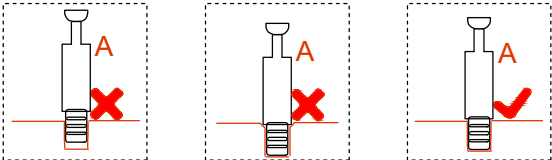


ASSEMBLY HARDWARE

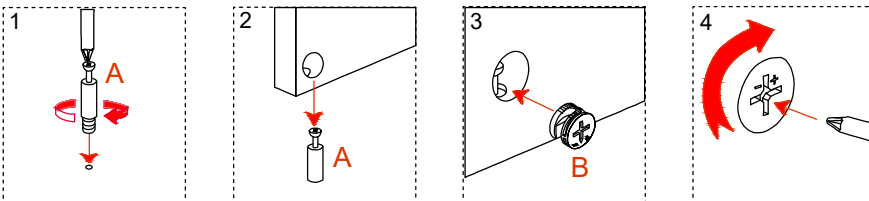
Please check that you have all the parts listed below.

| | | | |
|---|--|---|--|
| <p>A x6pcs</p>  <p>Ø6x35mm</p> | <p>B x6pcs</p>  <p>Ø15x10mm</p> | <p>C x36(+2)pcs</p>  <p>Ø6x30mm</p> | <p>D x23(+2)pcs</p>  <p>Ø4x40mm</p> |
| <p>E x18(+1)pcs</p>  <p>Ø4x20mm</p> | <p>F x4sets</p>  | <p>G x2pcs</p>  | <p>H x4(+1)pcs</p>  <p>Ø3x14mm</p> |
| <p>I x4pcs</p>  | <p>J x4(+1)pcs</p>  <p>Ø3x12mm</p> | <p>K x8(+1)pcs</p>  <p>Ø5mm</p> | <p>L x8pcs</p>  |
| <p>M x40(+3)pcs</p>  <p>Ø4x12mm</p> | <p>N x2pcs</p>  | <p>O x2pcs</p>  | <p>P x6(+1)pcs</p>  <p>Ø4x12mm</p> |
| <p>R x2sets</p>  | | | |

Cam Lock System Operation



1. Screw the cam bolt [A] into the threaded insert on the panel.
2. Connect both panels together making sure cam bolt[A] goes into the pre-drilled large hole on the end of panel for cam lock[B].
3. Insert the cam lock[B] into the pro-drilled large hole on the panel. Make sure the cross slot of cam lock [B] faces out(The arrow should point towards Screw No. A).
4. Rotate the cam lock [B] clockwise with a self-supplied phillips screwdriver to lock the cam bolt [A] in place(Rotate 100-180 degrees until tight).

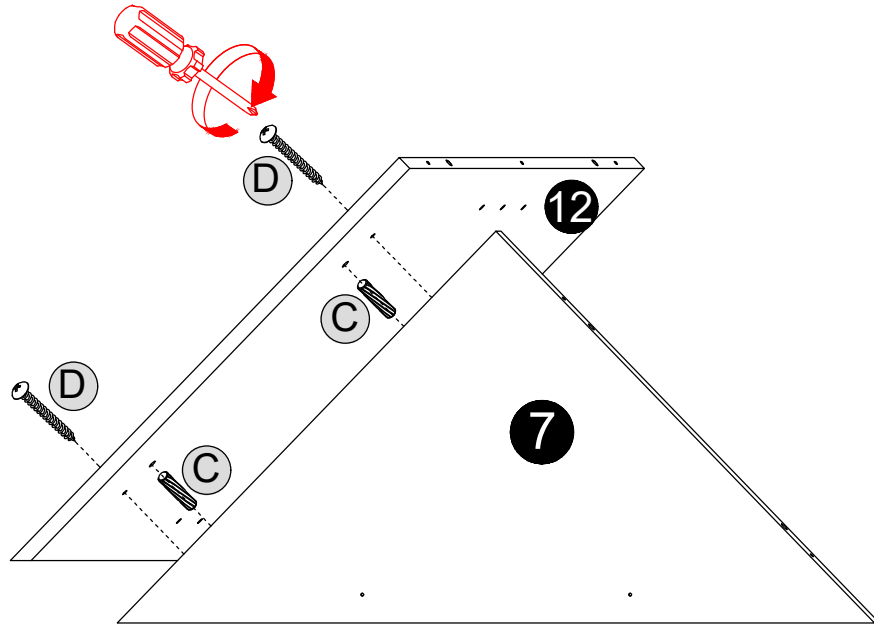


1

C x 2pcs



D x 2pcs

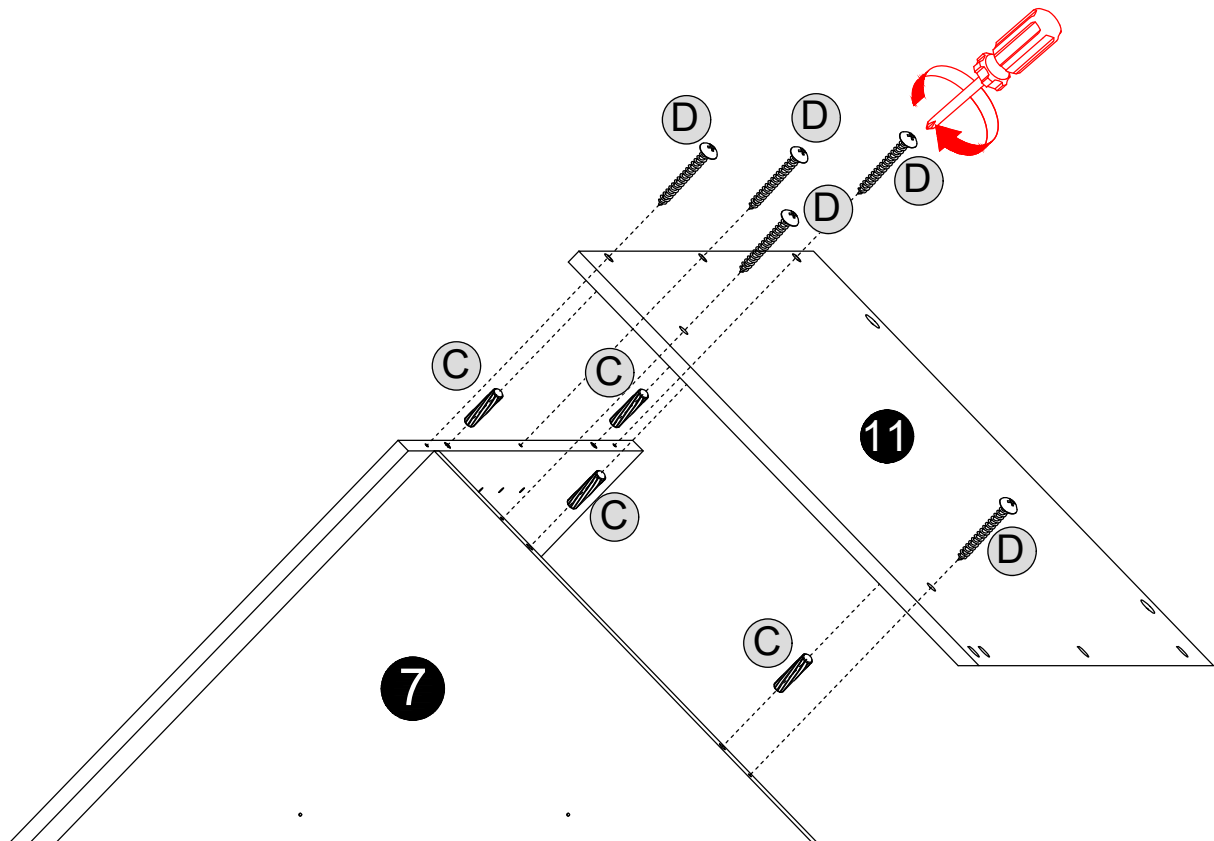


2

C x 4pcs

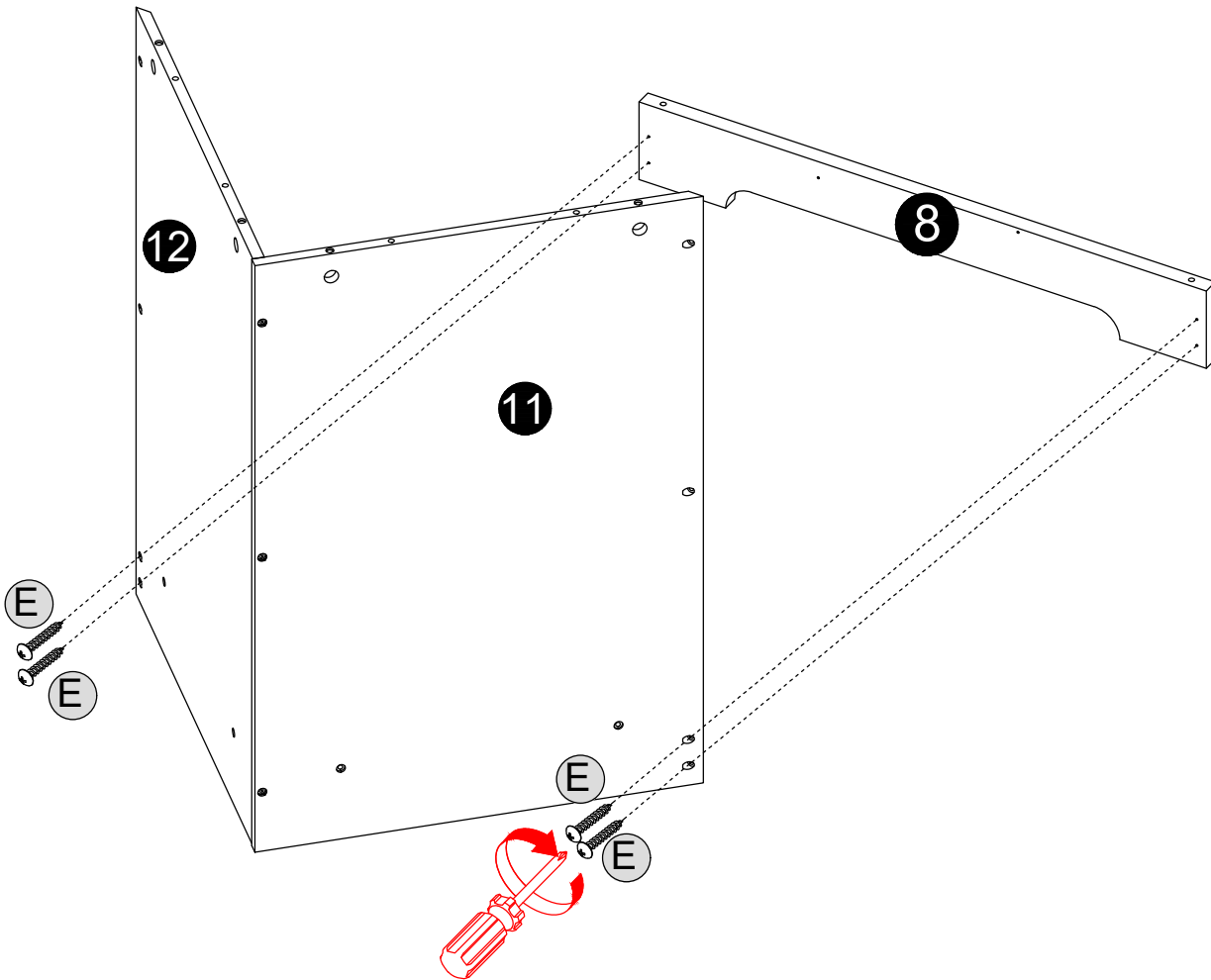
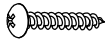


D x 5pcs



3

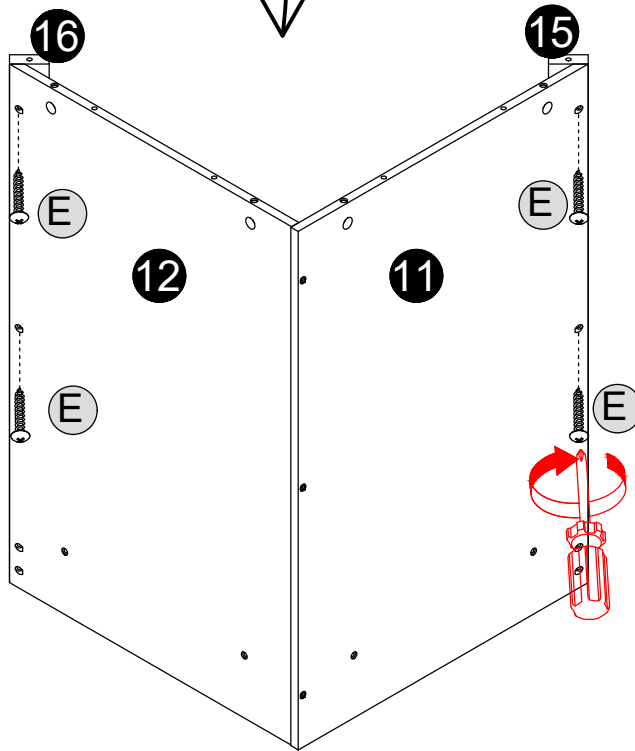
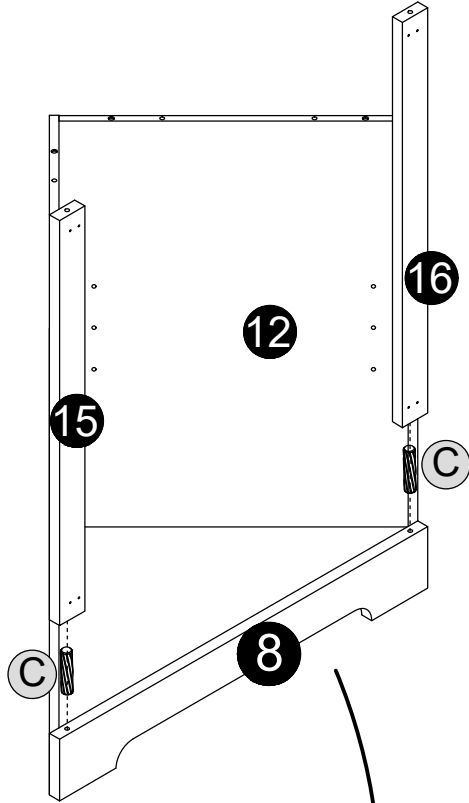
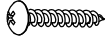
ⓔ x4pcs



4

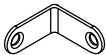
Ⓒ x 2pcs

Ⓔ x 4pcs

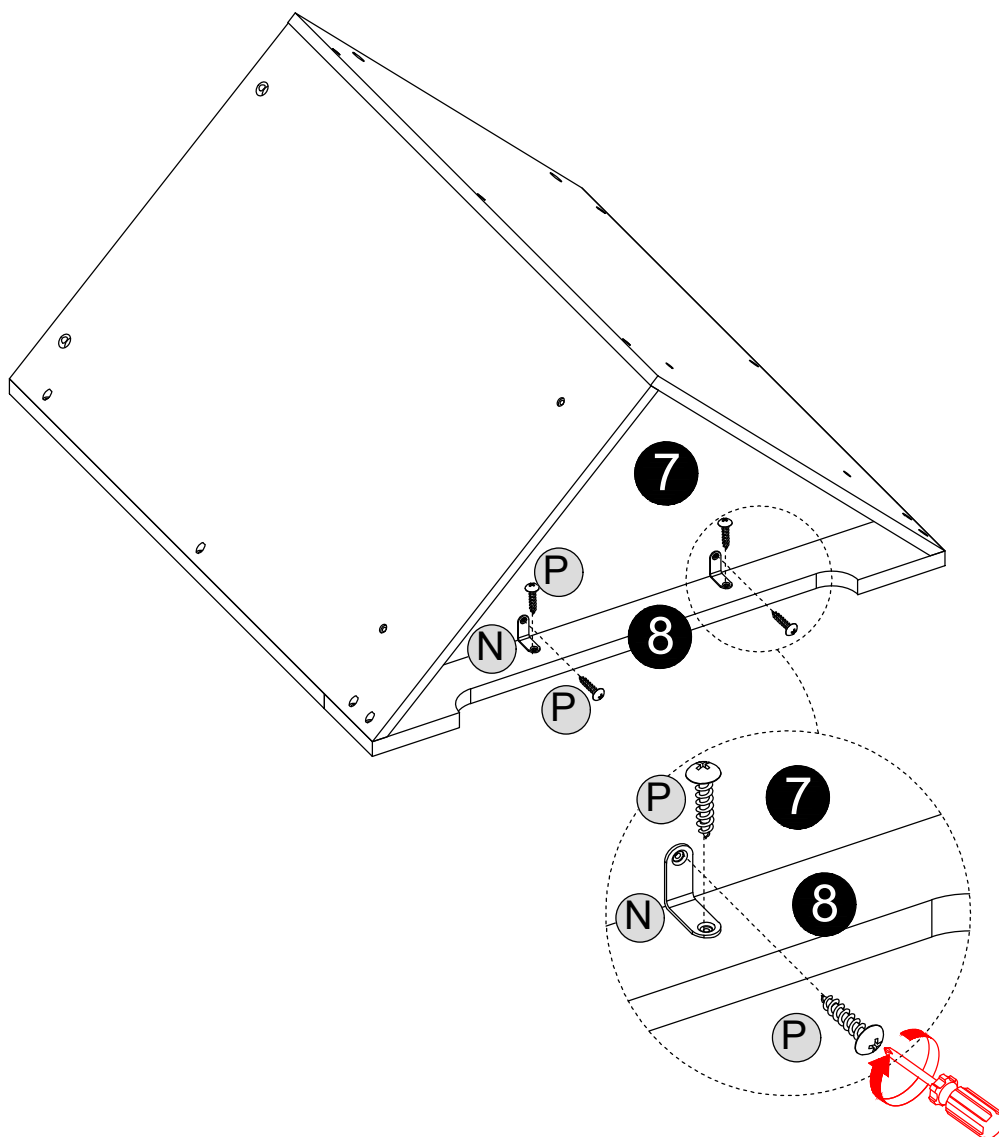


5

(N) x 2pcs

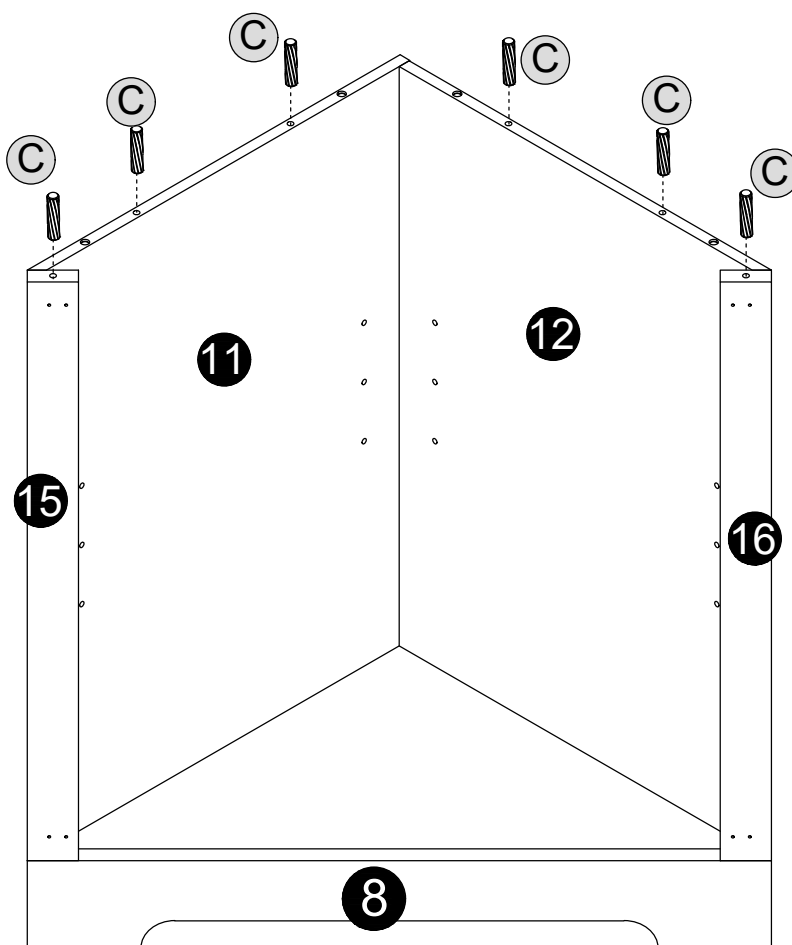


(P) x 4pcs



6

C x 6pcs

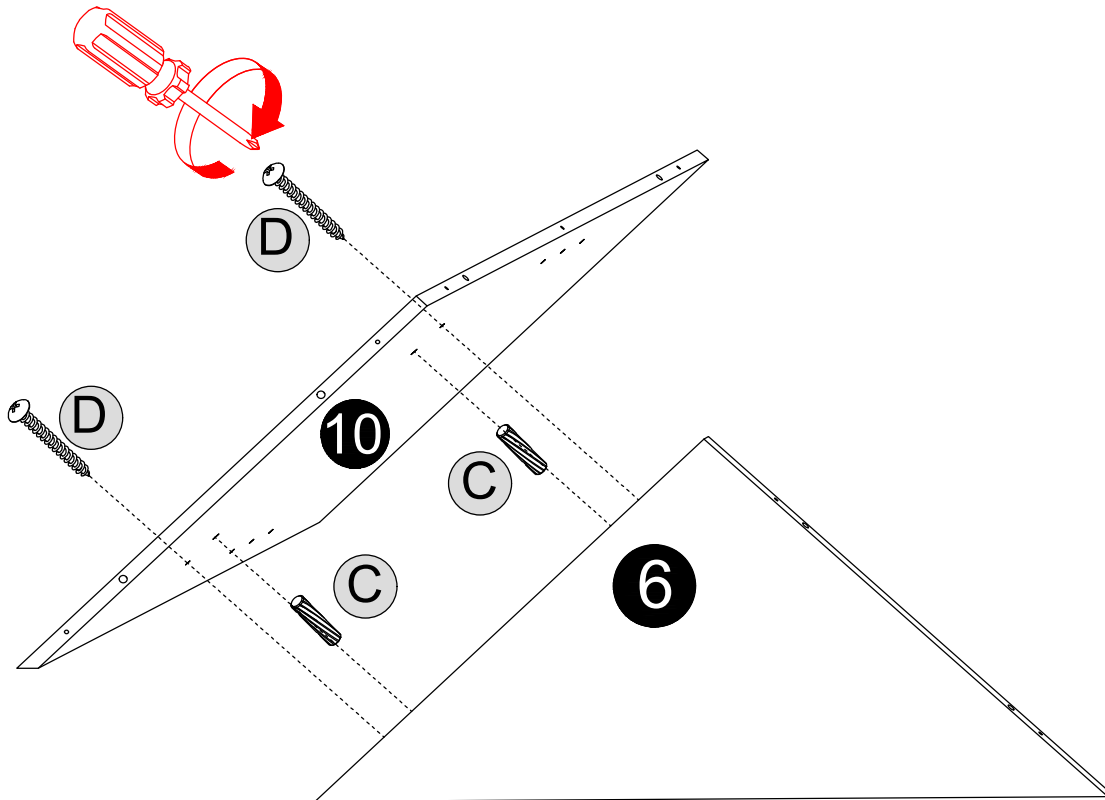


7

C x 2pcs



D x 2pcs

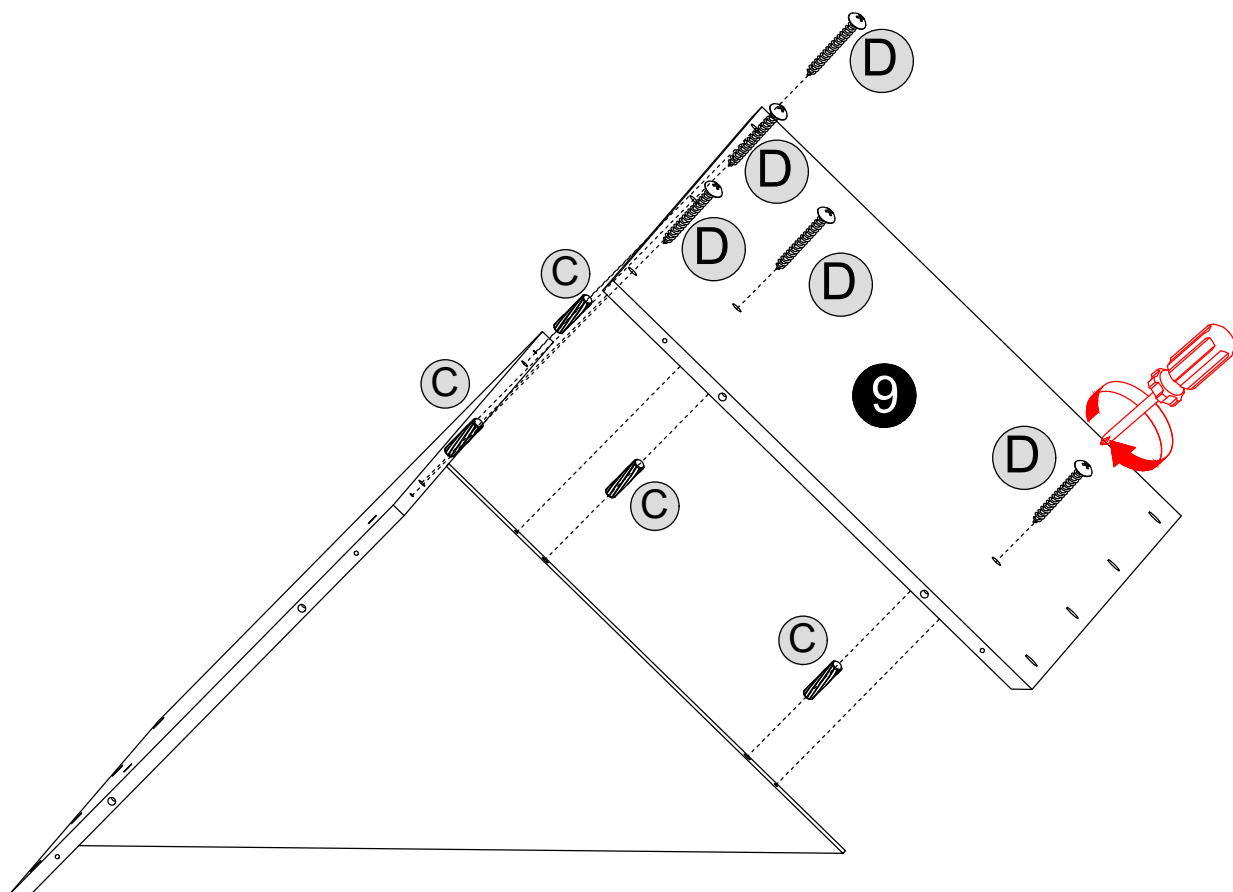


8

C x 4pcs

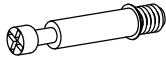


D x 5pcs



9

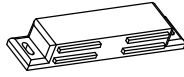
(A) x 2pcs



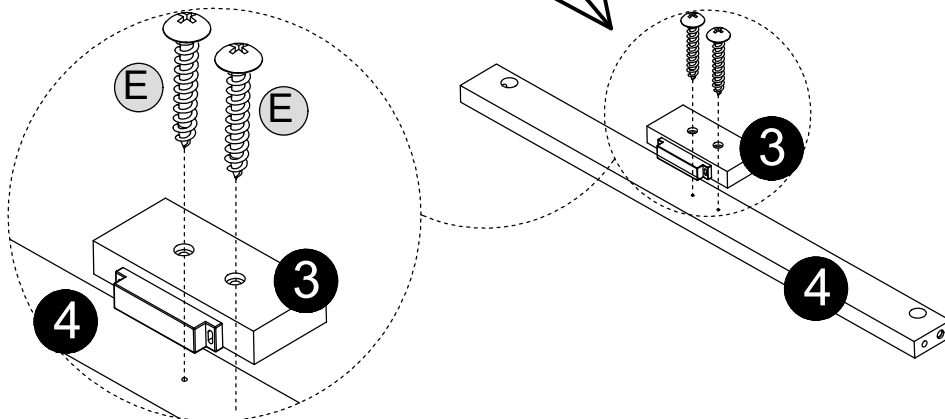
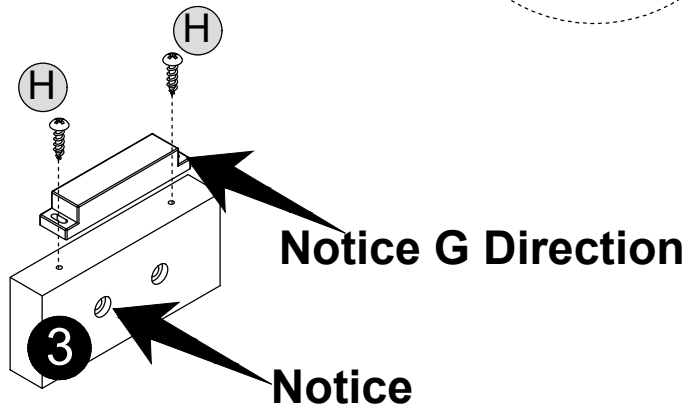
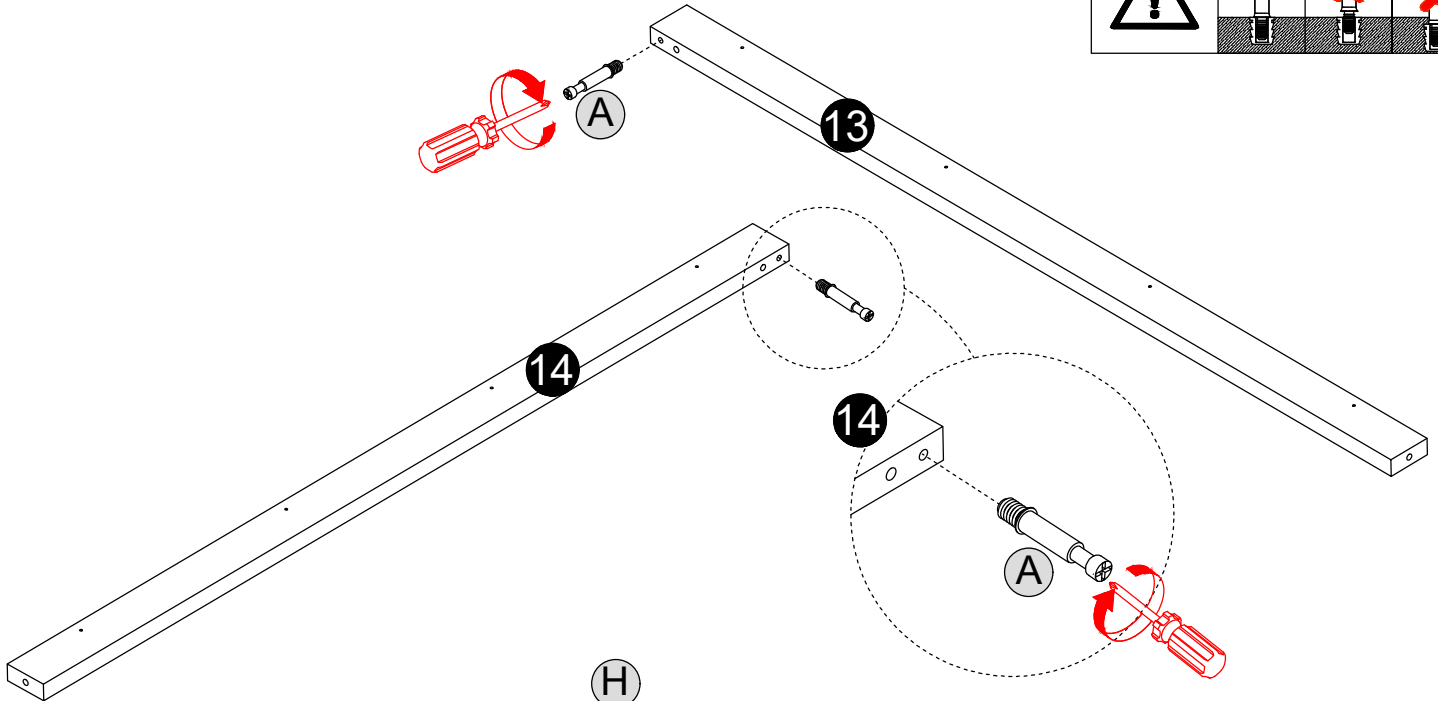
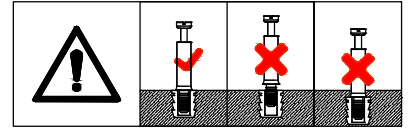
(E) x 2pcs



(G) x 1pc



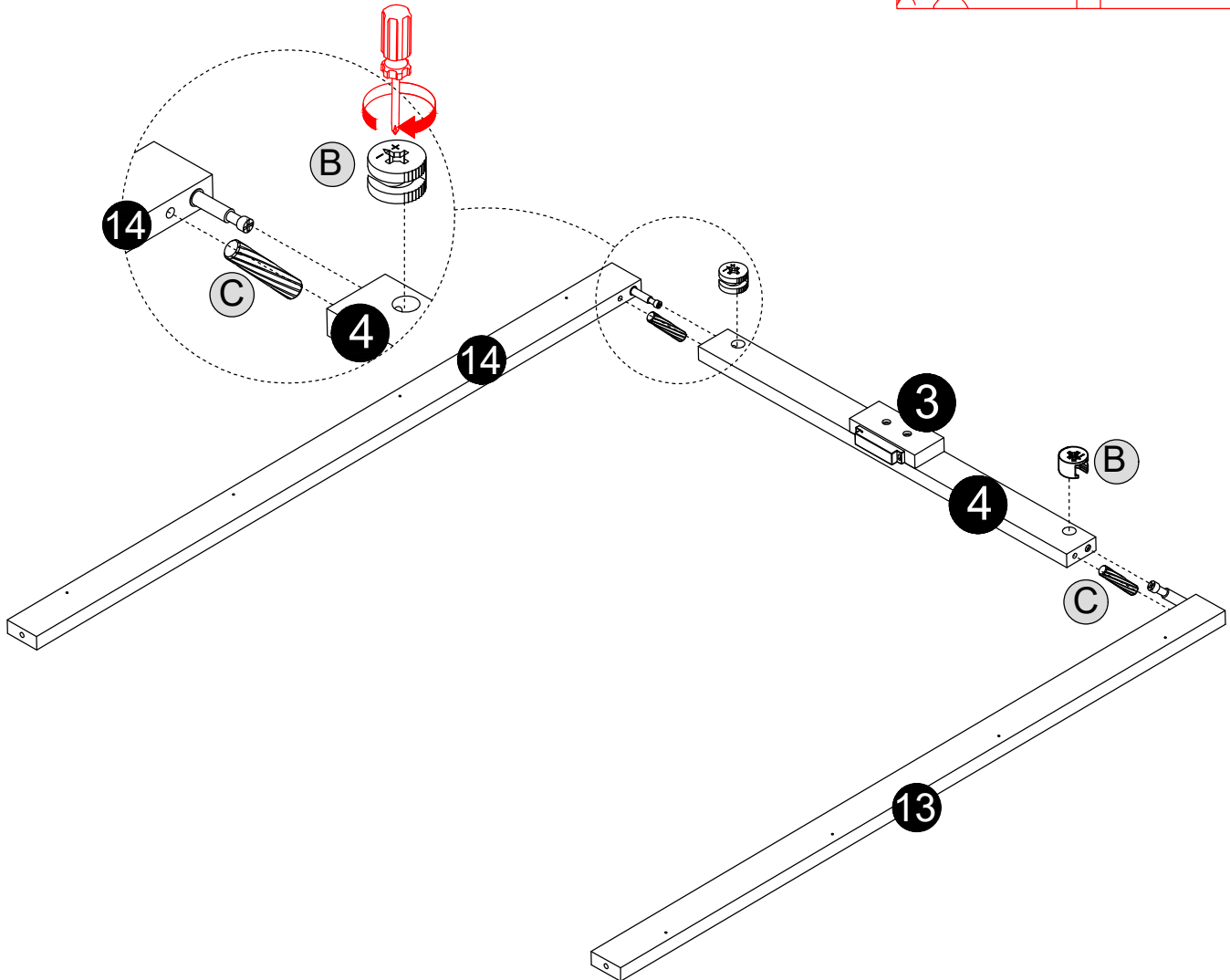
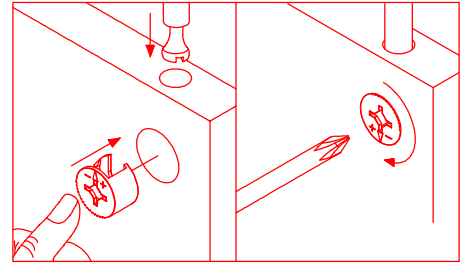
(H) x 2pcs



10

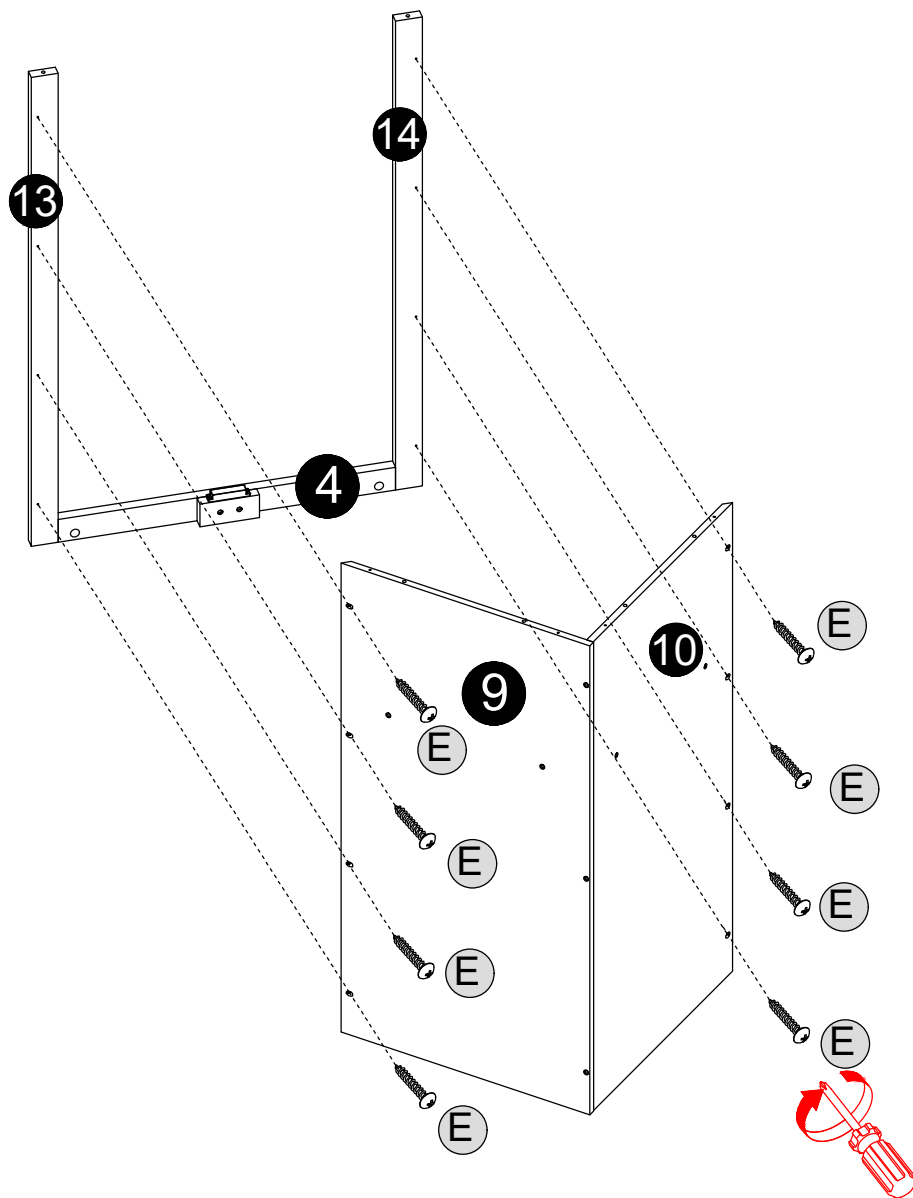
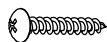
B x2pcs

C x 2pcs



11

Ⓔ x 8pcs

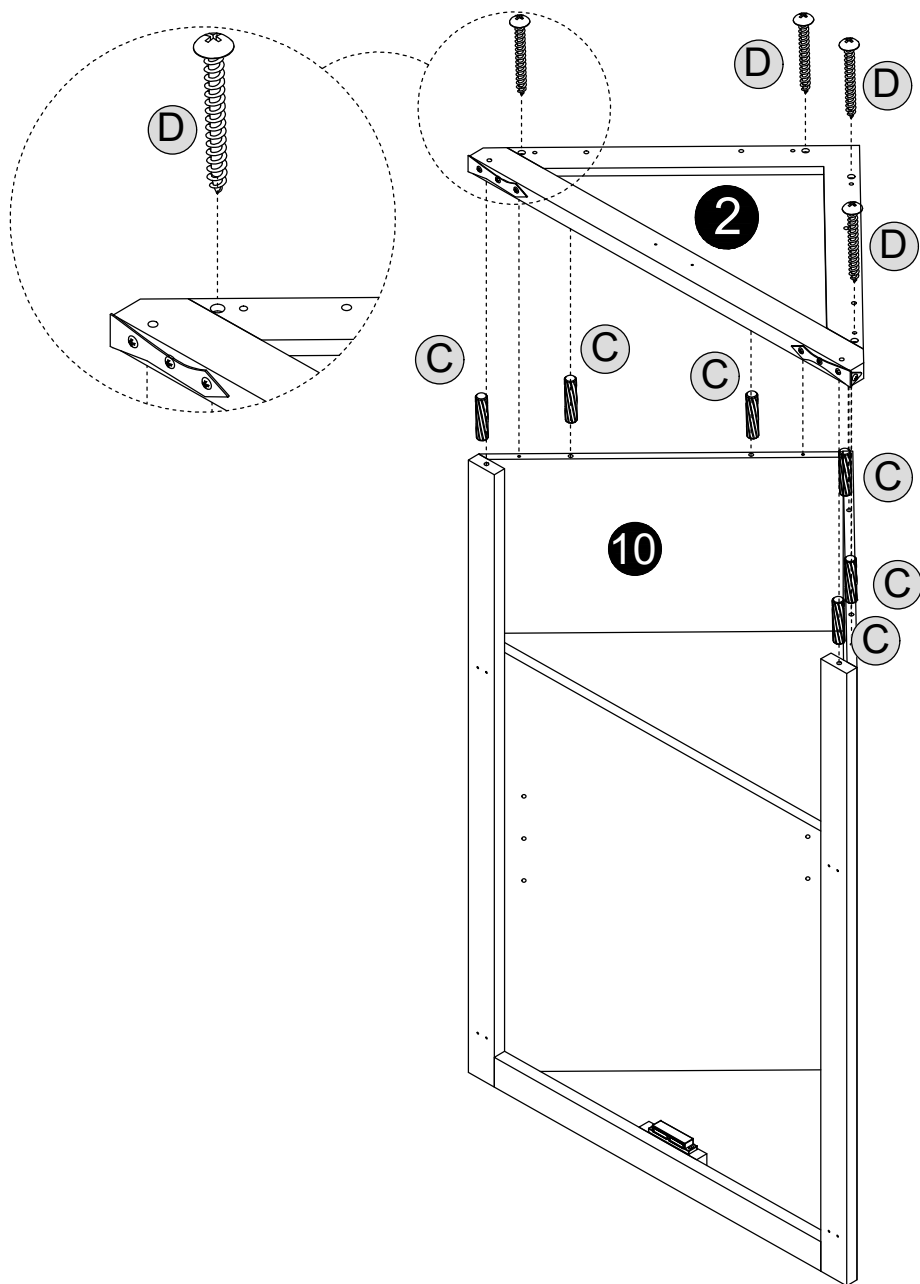


12

Ⓒ x 6pcs



Ⓓ x 4pcs

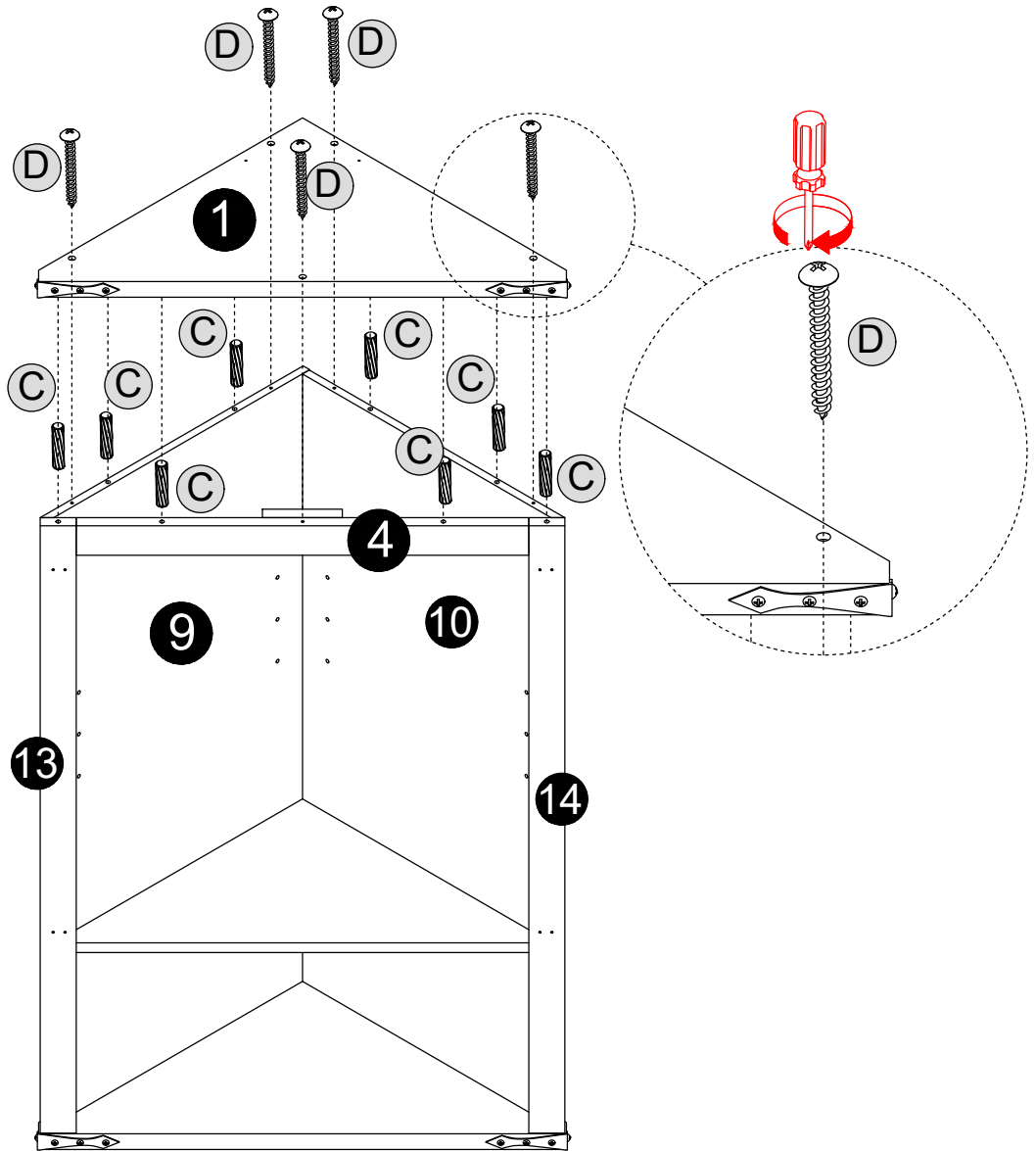


13

C x 8pcs

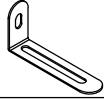


D x 5pcs

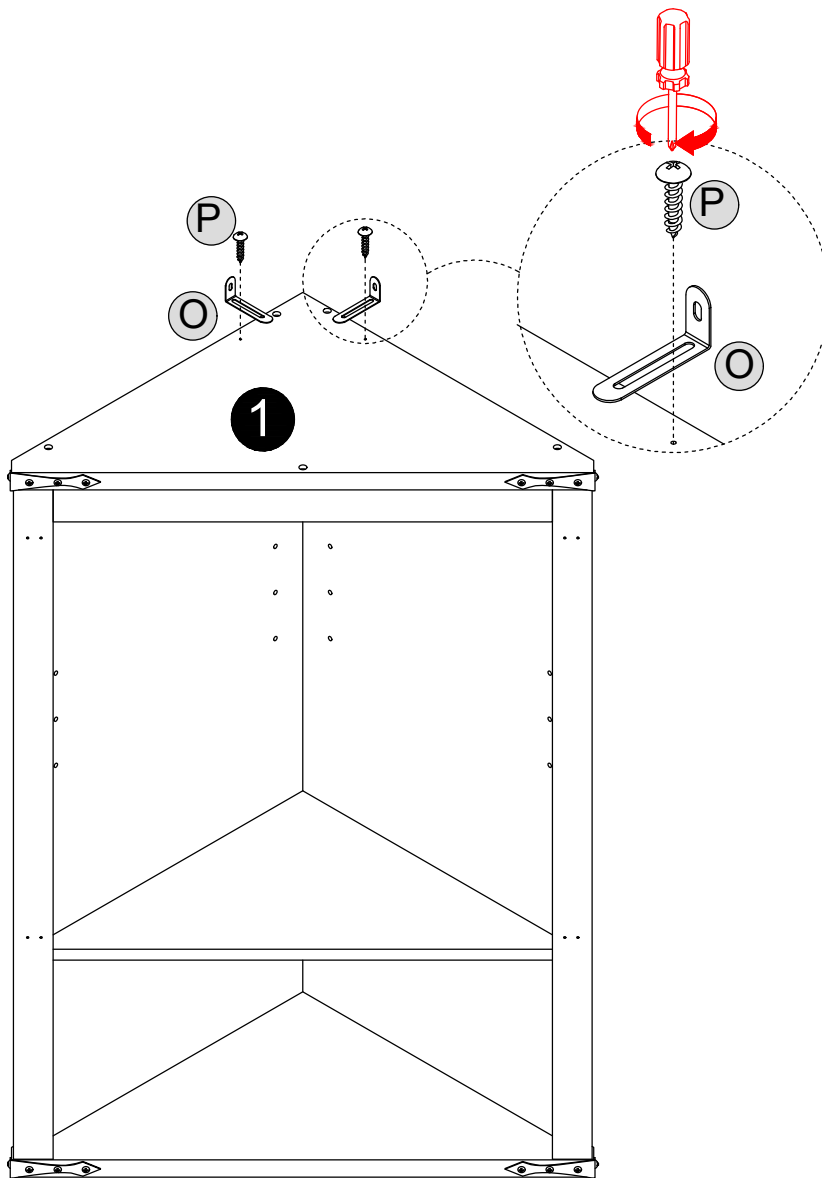
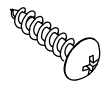


14

○ x 2pcs

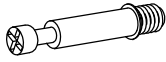


Ⓟ x2pcs

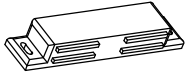


15

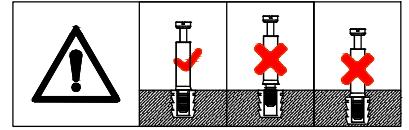
(A) x 4pcs



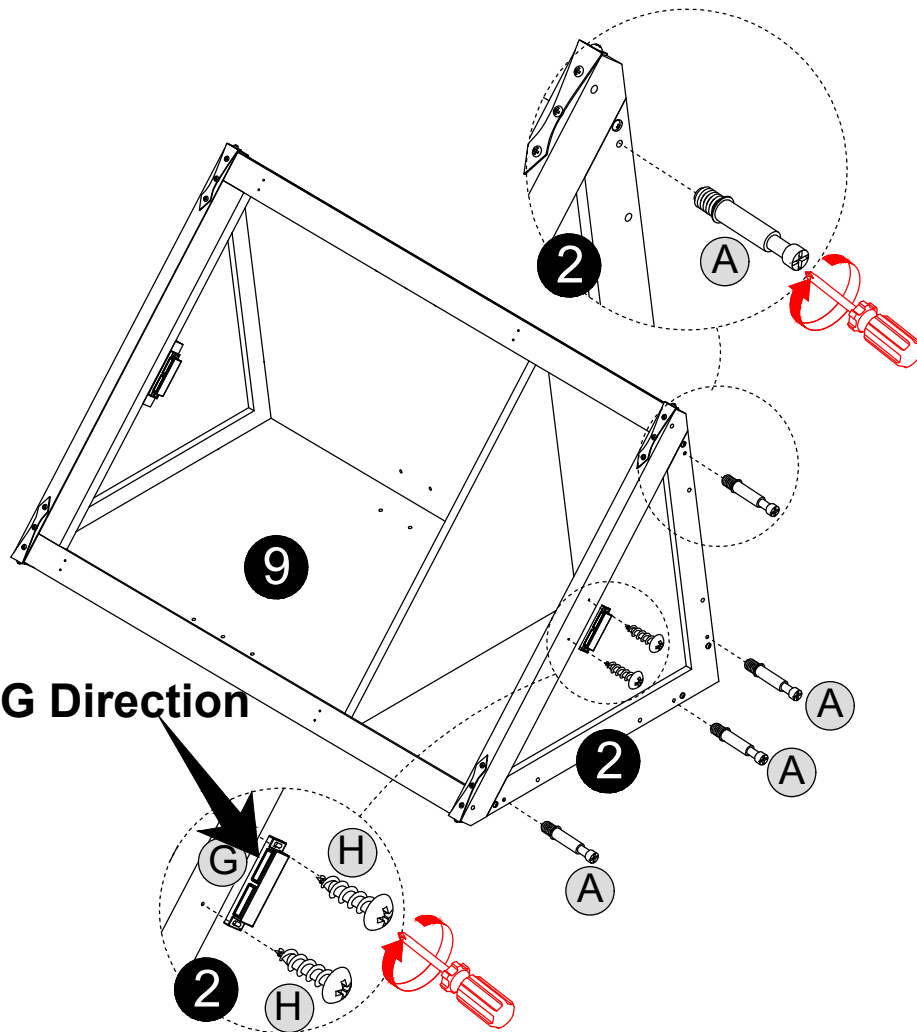
(G) x 1pc



(H) x 2pcs



Notice G Direction

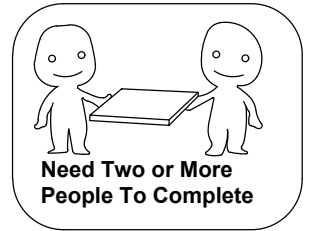
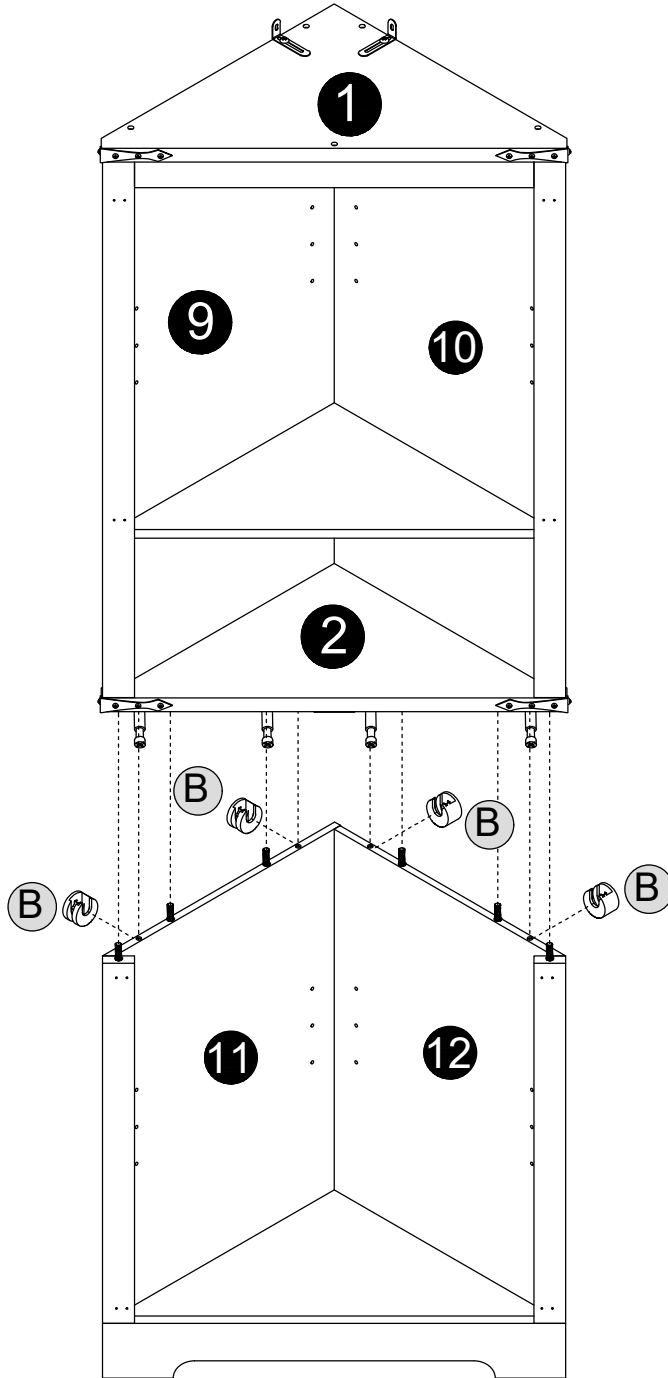
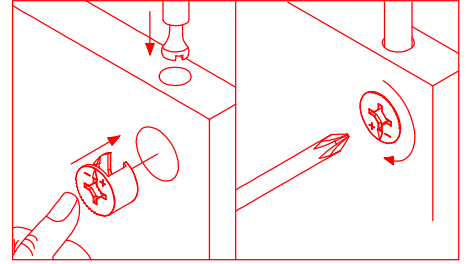


16

B x4pcs

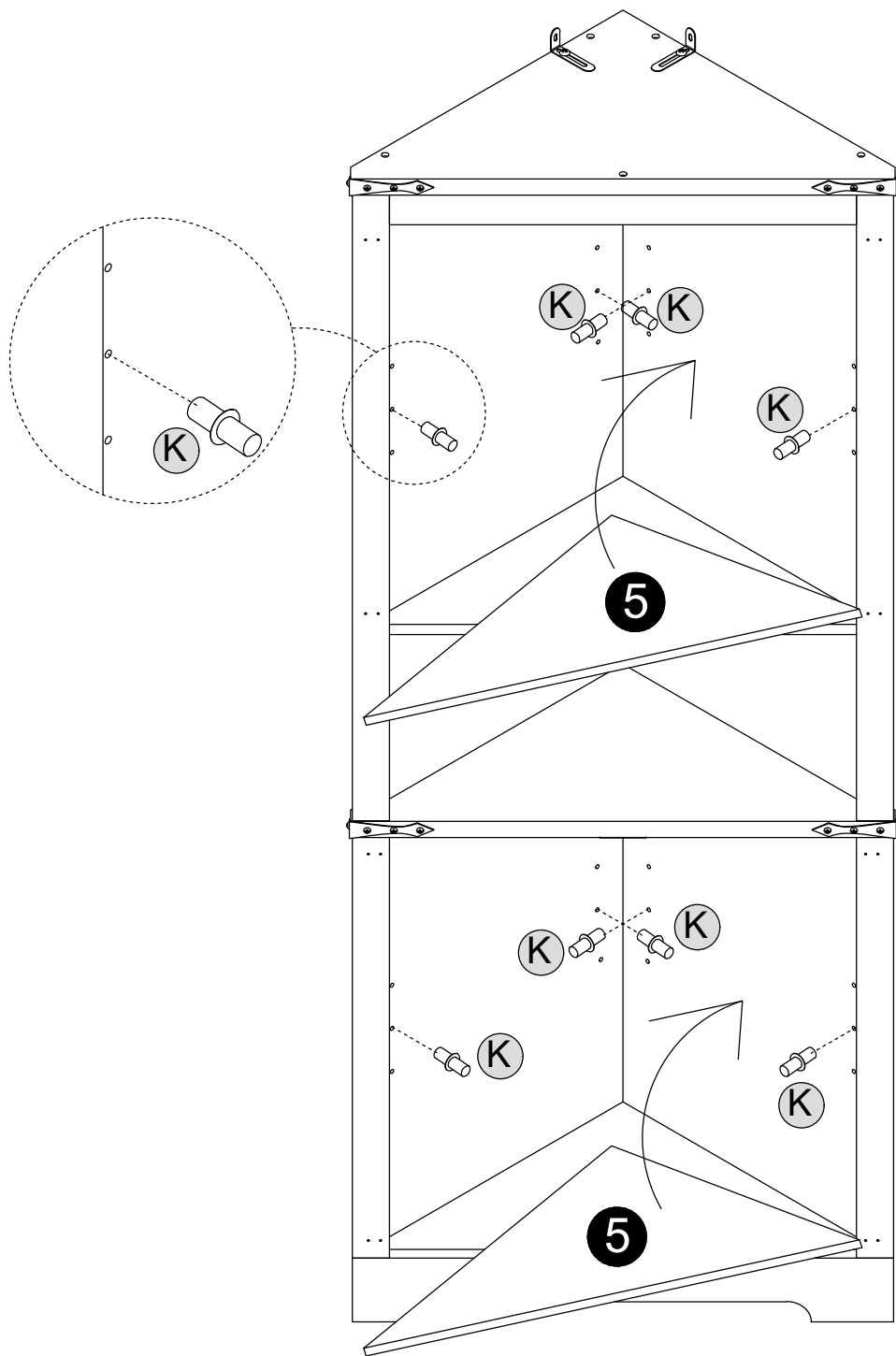
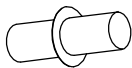


Note: At least two people are required for this step.

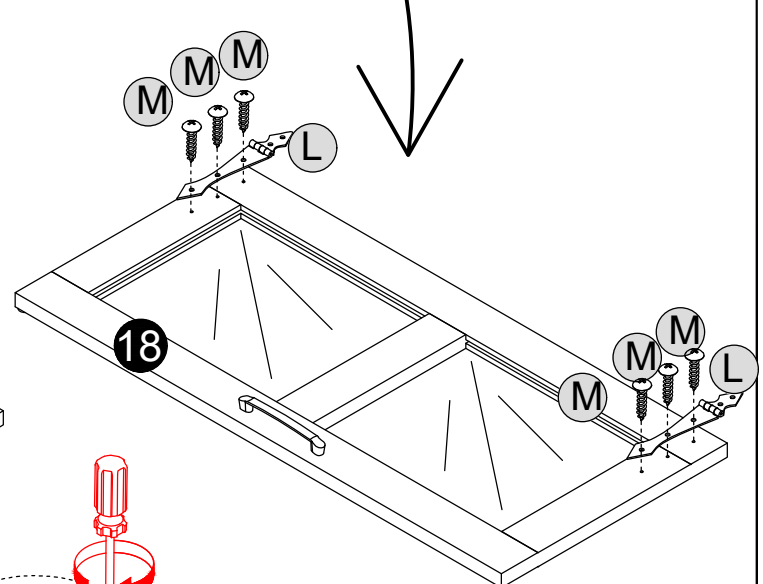
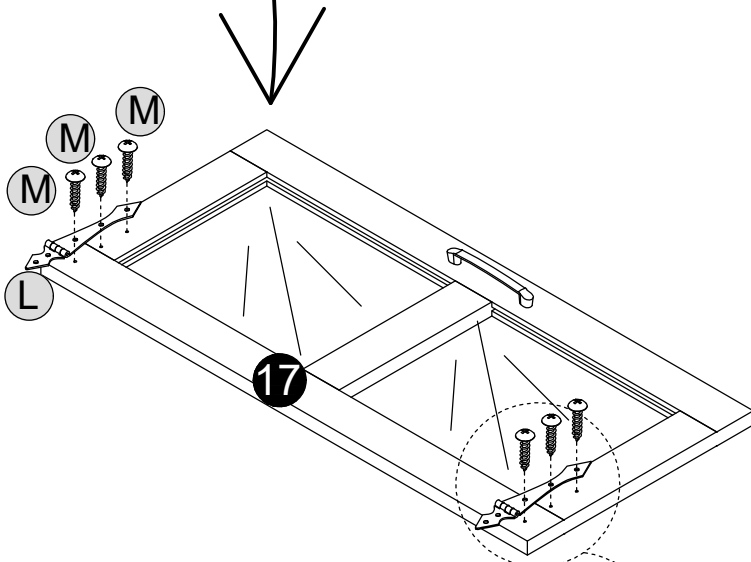
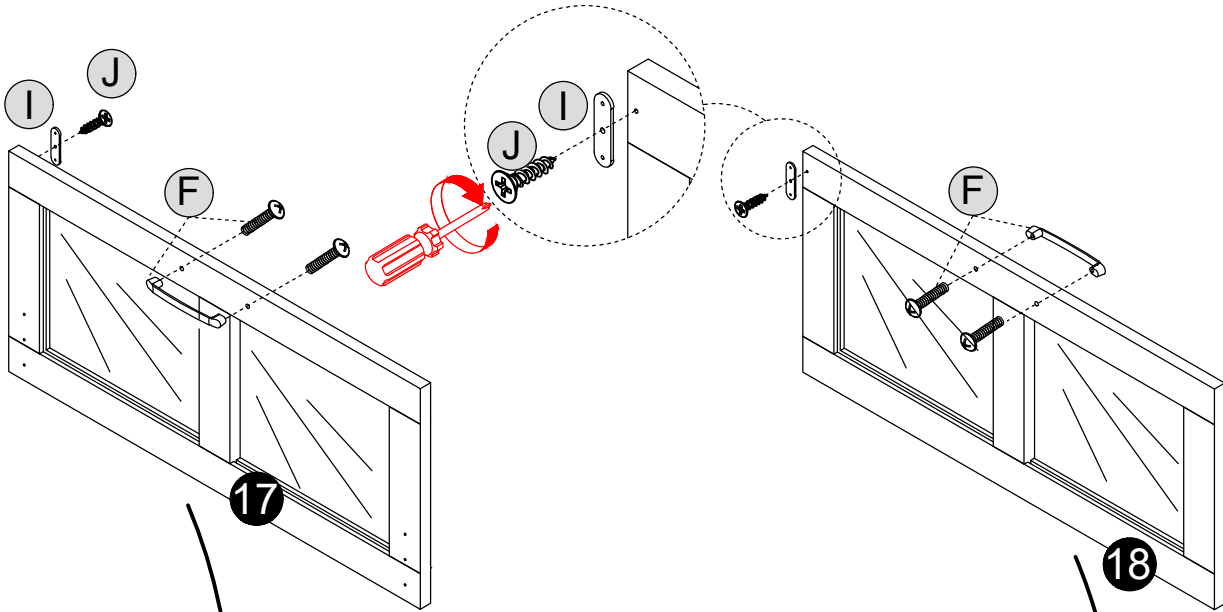
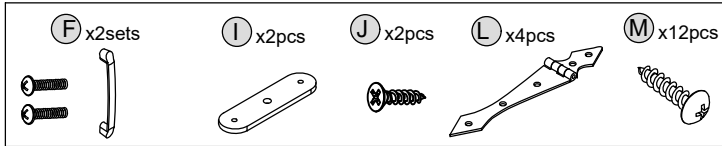


17

(K) x8pcs



18

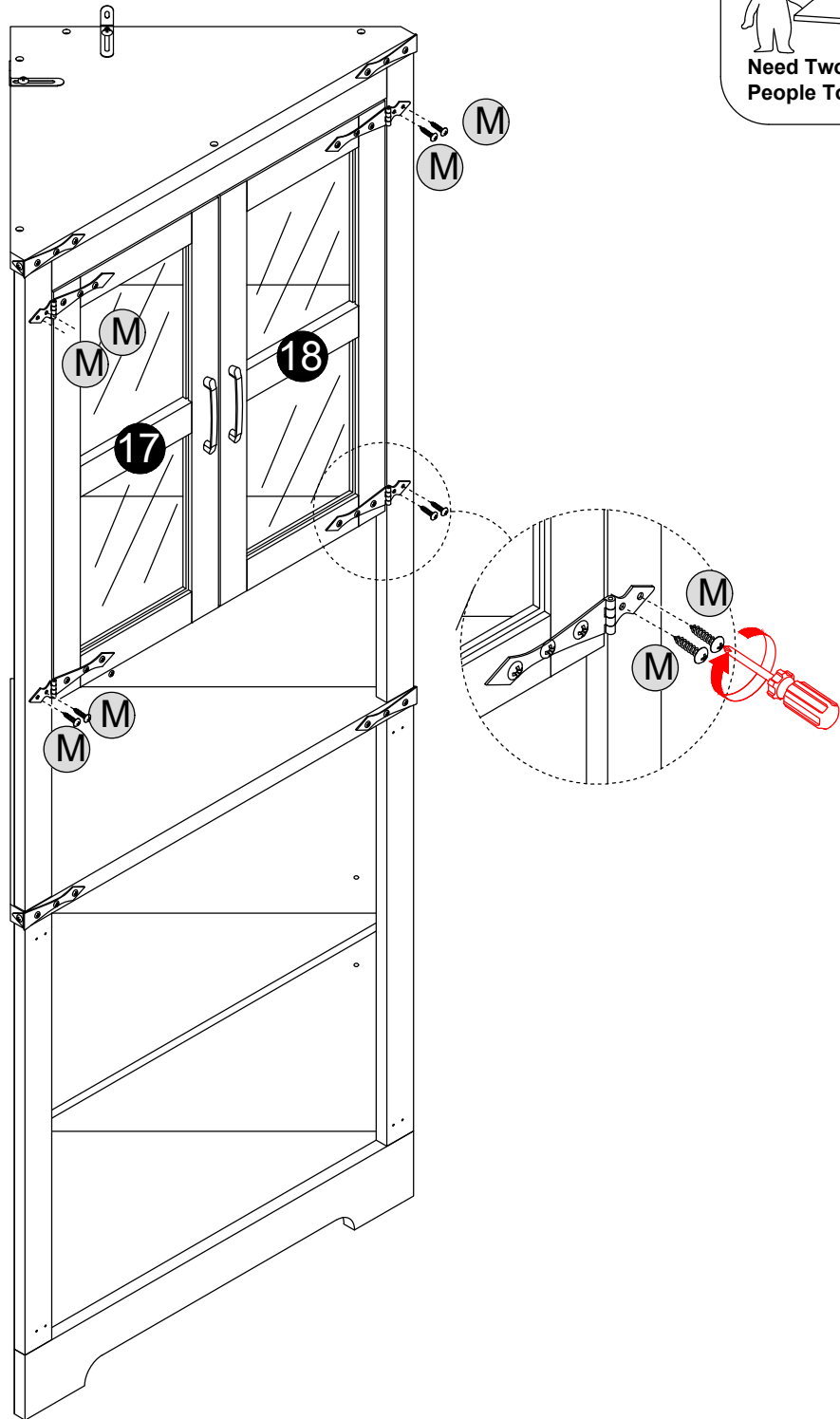
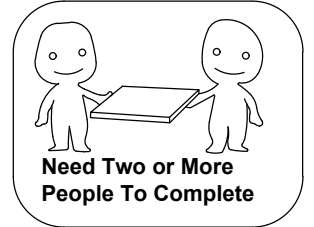


19

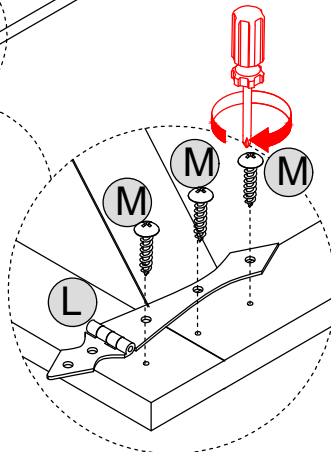
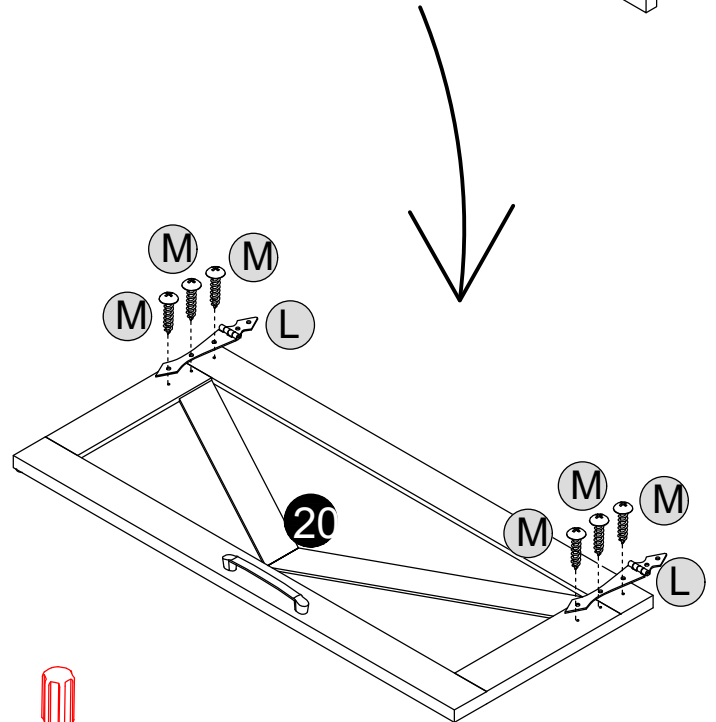
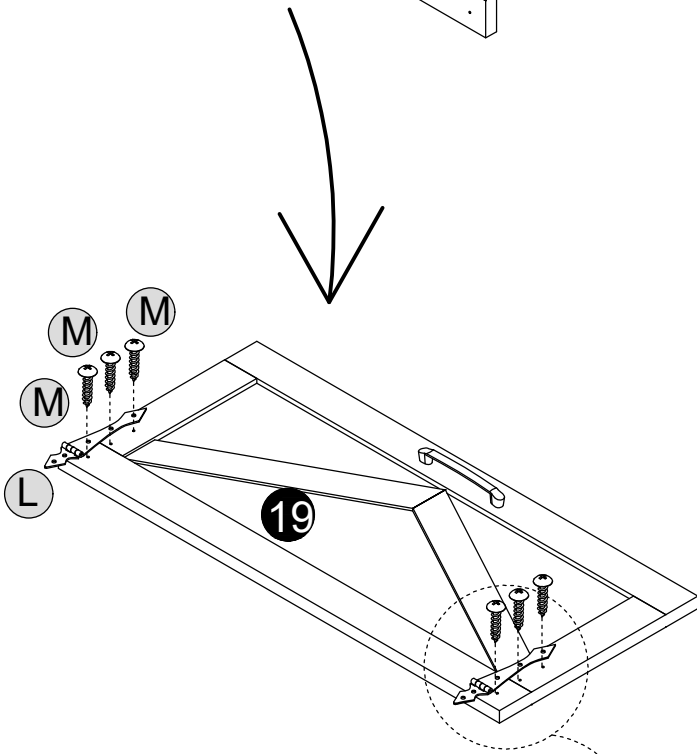
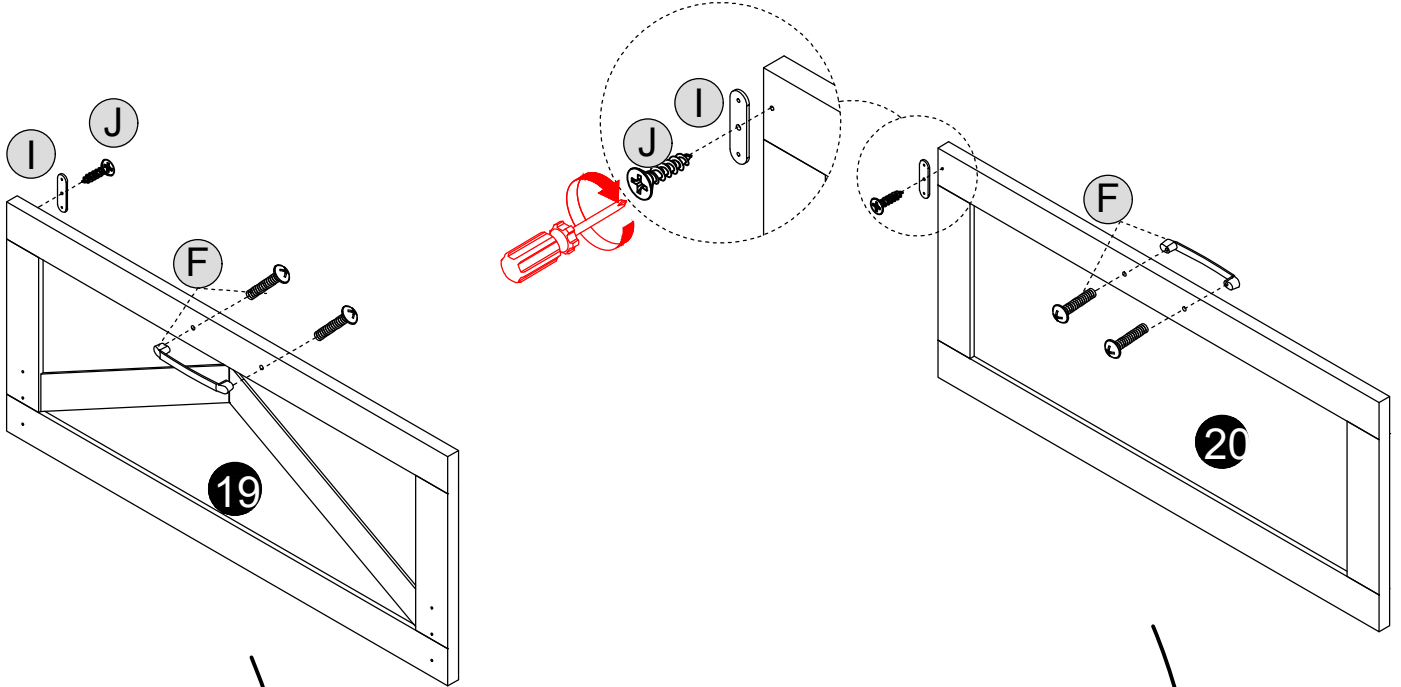
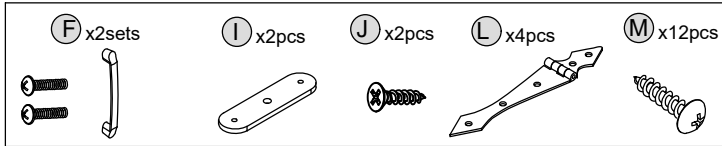
M x8pcs



Note: At least two people are required for this step.



20

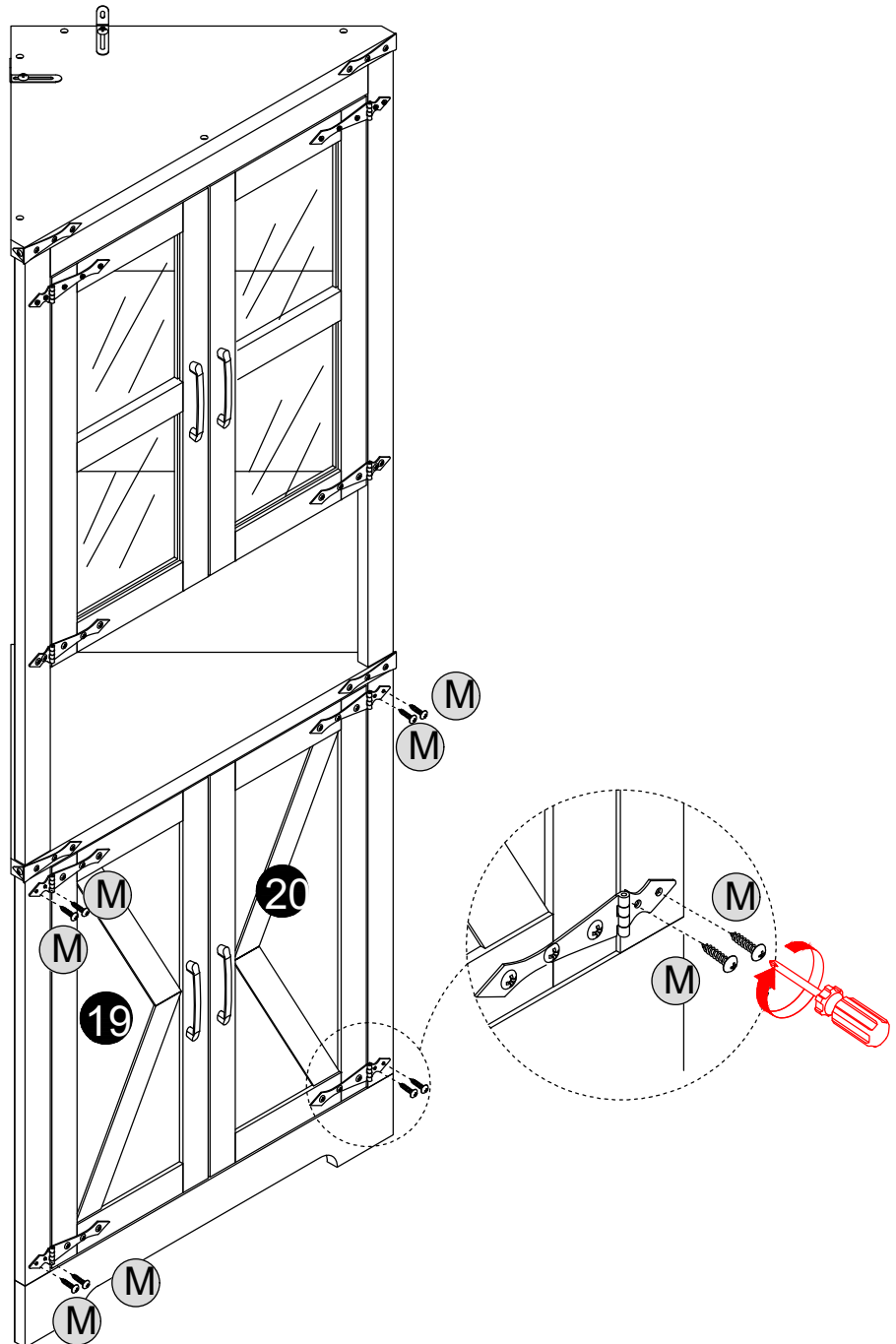
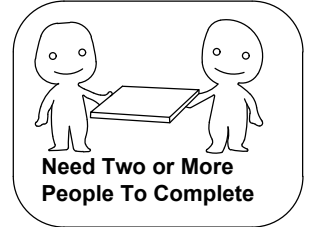


21

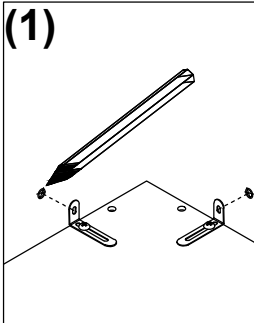
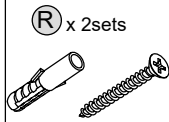
(M) x8pcs



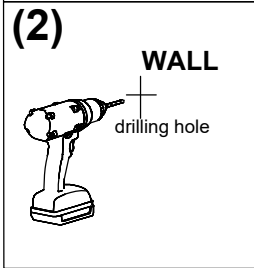
Note: At least two people are required for this step.



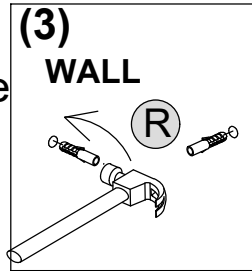
22



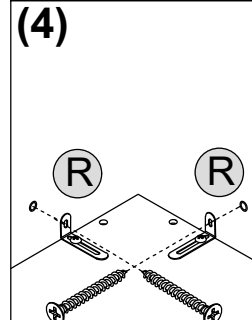
First, use a ruler to measure the approximate height of the product on the wall, and then mark it with a pen.



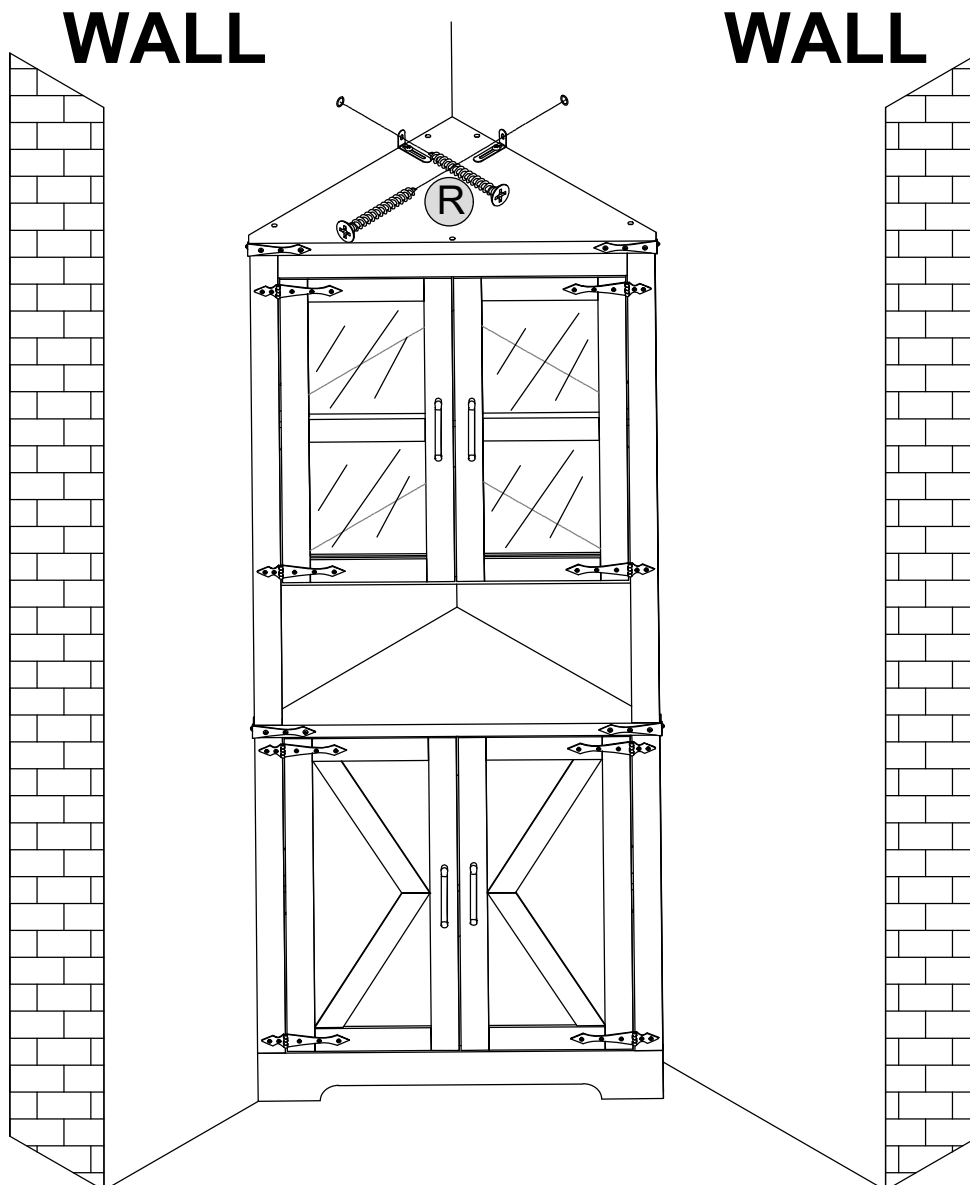
Then use a tape drill to make holes in the wall that are suitable for the product screws.



Then, put the expansion bolt into the hole



Finally, pass the matching screws through the "anti-rewind" and tighten them to fix them on the wall.



IMPORTANT SAFETY INFORMATION

Please carefully read the instructions and caution warnings below before assembling the product. Following this guide will ensure that you install, use and maintain the product properly.

- Please keep this installation and user manual/instructions for future reference in case you need to assemble the product.
- Do not assemble if you notice serious damage such as cracks or bends.
- During installation, please use work gloves for hand safety.
- Please assemble the unit on carpeted floor or the flat cardboard box to avoid scratching the surface or your floor while assembling on the floor.
- To assemble, please use the complimentary installation tools (Allen Wrench). Pay more attention to the direction of components at each steps.
- It is recommended that two people work together to assemble the product.
- Please do not tighten the screws up too much, just to 80% before you finish to make the installation go on successfully.

How to find us?

Customer Service

Email: support@garvee.com

Limited Liability & Warning

No Unauthorized Modifications/Repairs: Do not modify or attempt to repair this product unless you are an authorized technician. Unauthorized actions may create hazards and void all warranties

Misuse & Non-Compliance: We are not liable for any injury, damage, or loss resulting from:

- (a) misuse, abuse, neglect, or improper installation;
- (b) failure to follow instructions or safety precautions;
- (c) use of unauthorized parts/accessories;
- (d) unauthorized modifications/repairs;
- (e) accidents, natural disasters, or external causes.

If you doubt any step of installation or operation, stop using the product and contact authorized service or the customer support.

LIMITACIÓN DE RESPONSABILIDAD Y ADVERTENCIA

Modificaciones o Reparaciones No Autorizadas: NO modifique ni intente reparar este producto a menos que sea un técnico autorizado. Las acciones no autorizadas pueden generar riesgos y anularán todas las garantías.

Uso Indebido e Incumplimiento: No asumimos responsabilidad alguna por lesiones, daños o pérdidas que resulten de:

- (a) uso indebido, abuso, negligencia o instalación incorrecta;
- (b) incumplimiento de las instrucciones o precauciones de seguridad;
- (c) uso de piezas o accesorios no autorizados;
- (d) modificaciones o reparaciones no autorizadas;
- (e) accidentes, desastres naturales o causas externas.

Si tiene dudas sobre algún paso de la instalación o el funcionamiento, deje de usar el producto y póngase en contacto con el servicio técnico autorizado o con atención al cliente.

GARVEE
support@garvee.com