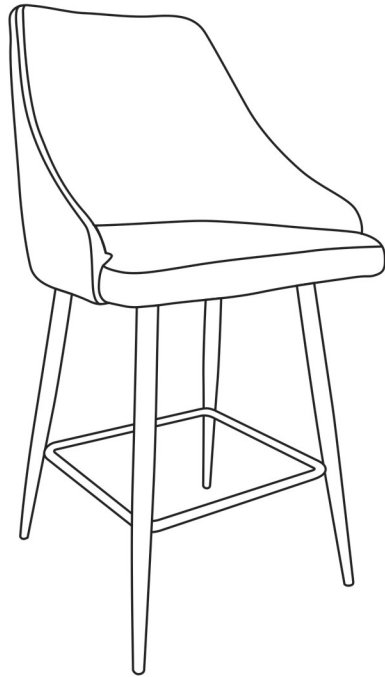
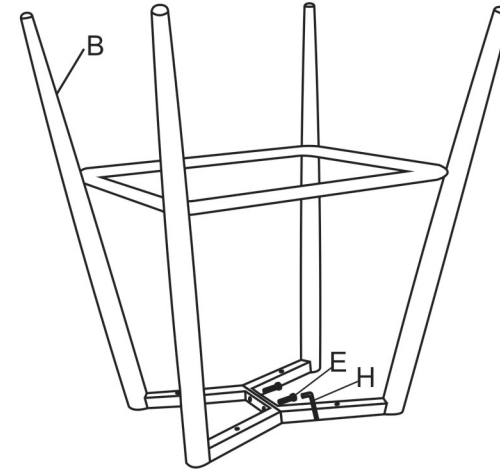


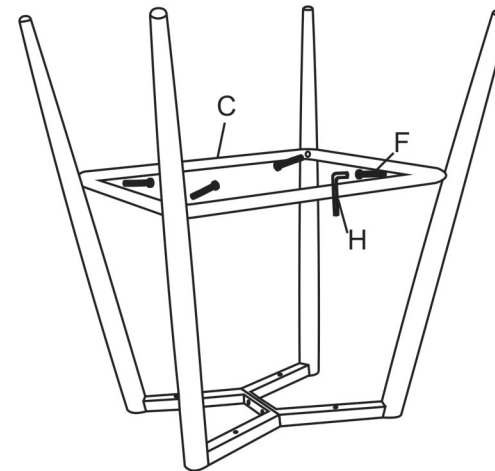
INSTRUCTIONS D ASSEMBLAGE


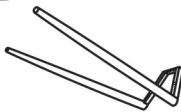


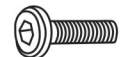
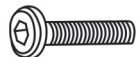




1



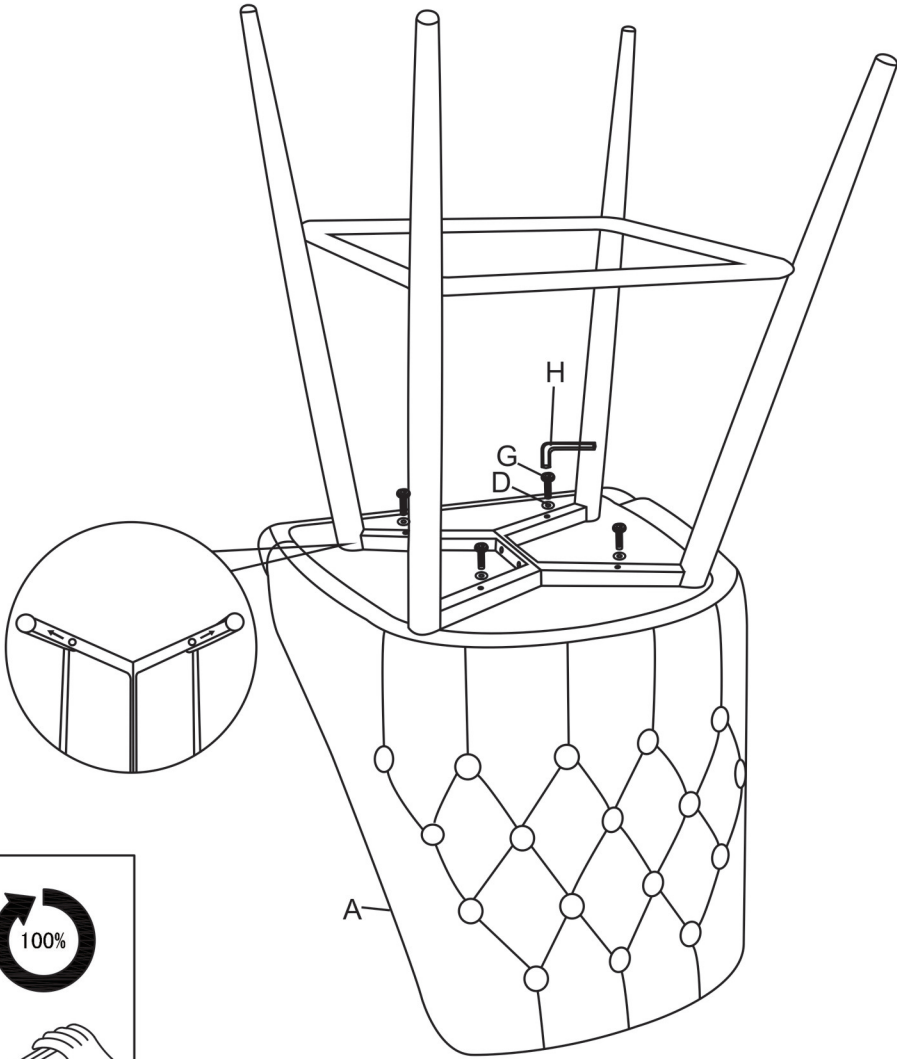
2



A x1 	B x2 	C x1 	D x4  $\varnothing 18 \times \varnothing 6 \times 1.5 \text{mm}$
E x2  M8x10mm	F x4  M6x25mm	G x4  M6x35mm	H x1  M5



3



4

