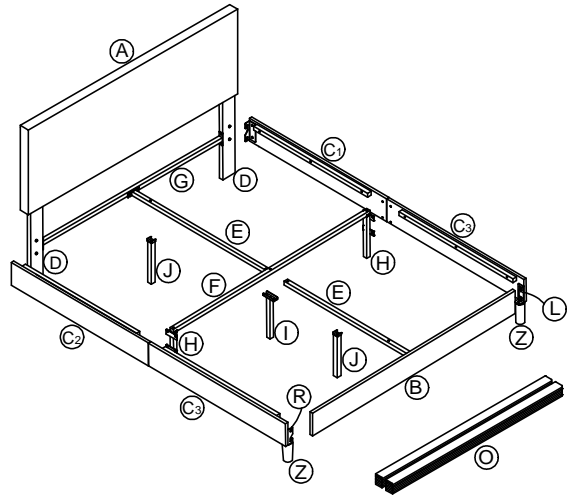
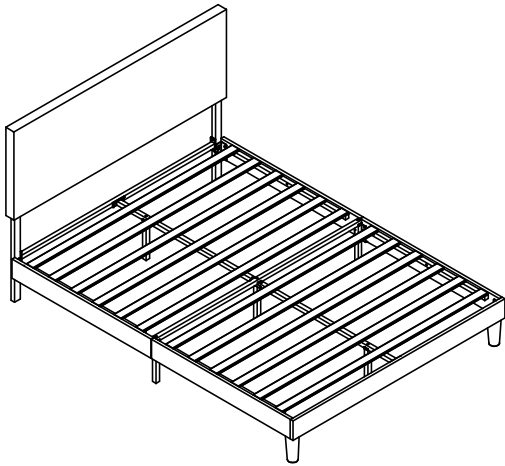
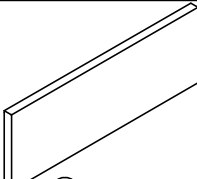
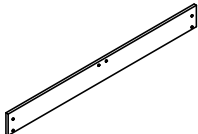
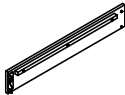
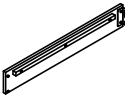

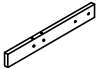
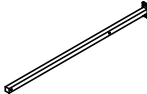
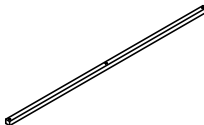
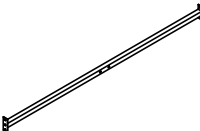

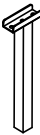










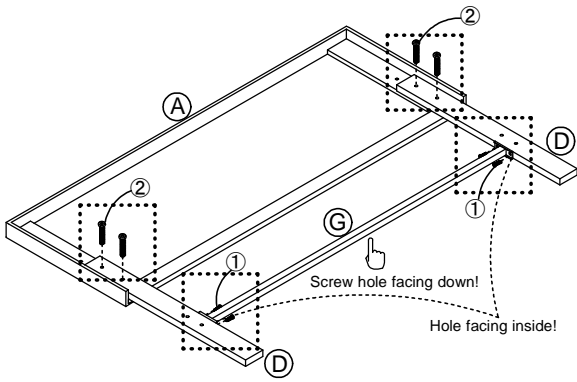


Assembly Instructions – Please keep for future reference



 A X 1PC	 B X 1PC	 C1 X 1PC	 C2 X 1PC	 C3 X 2PCS
 D X 2PCS	 E X 2PCS	 F X 1PC	 G X 1PC	 H X 2PCS
 I X 1PC	 J X 2PCS	 L X 1PC	 R X 1PC	 O X 2SET
 Z X 2PCS	Hardware			
 1 X 8PCS	 2 X 10PCS	 3 X 1PC	 4 X 4PCS	 5 X 2PCS

Step 1

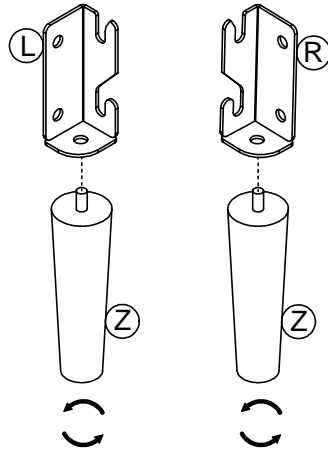


Attach DX2 to A with ②, Attach G to D with ①.

① X 4PCS ② X 4PCS

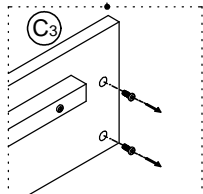
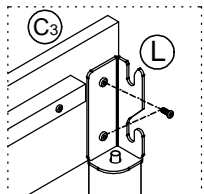
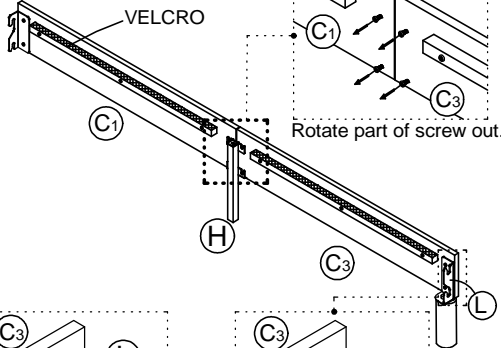
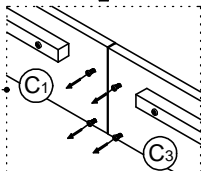
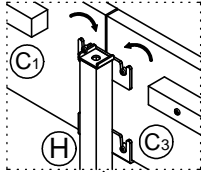
Step 2

Attach Z X 2 to L and R.



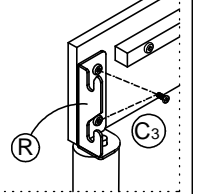
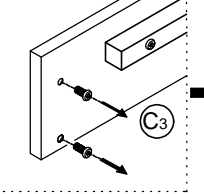
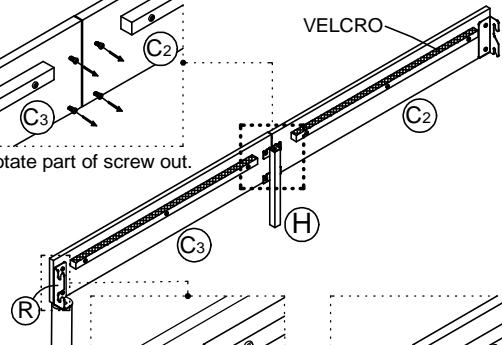
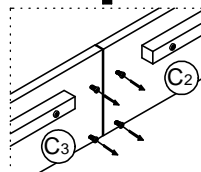
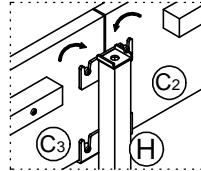
Step 3

Hang C1 and C3 on H.

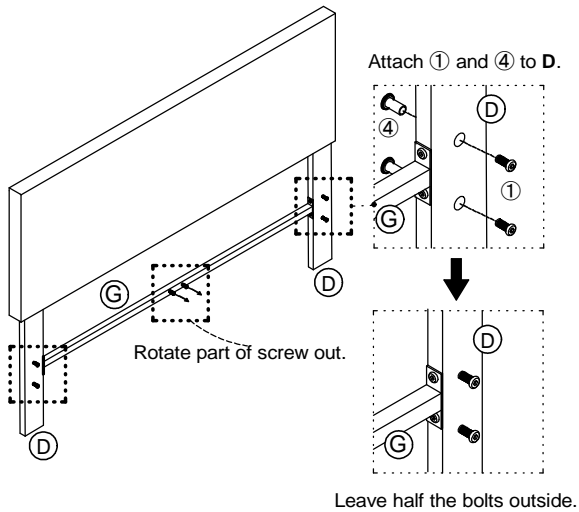


Step 4

Hang C2 and C3 on H.

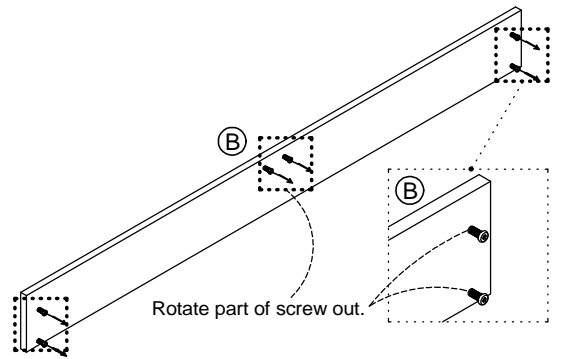


Step 5



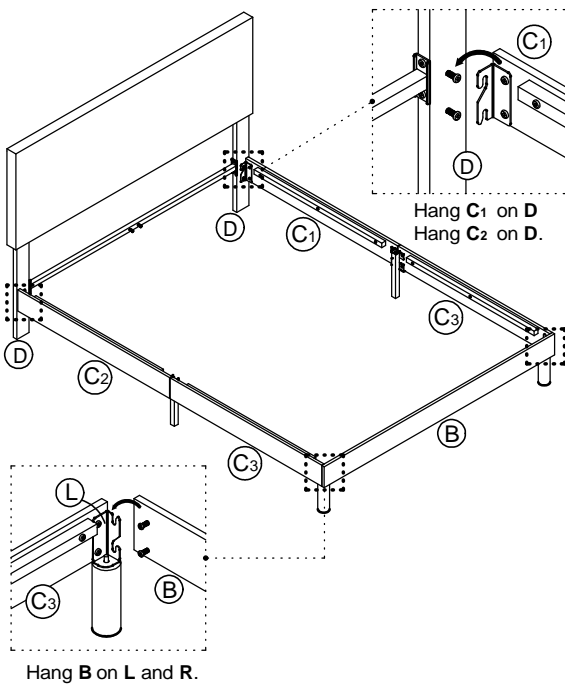
① X 4PCS ④ X 4PCS

Step 6

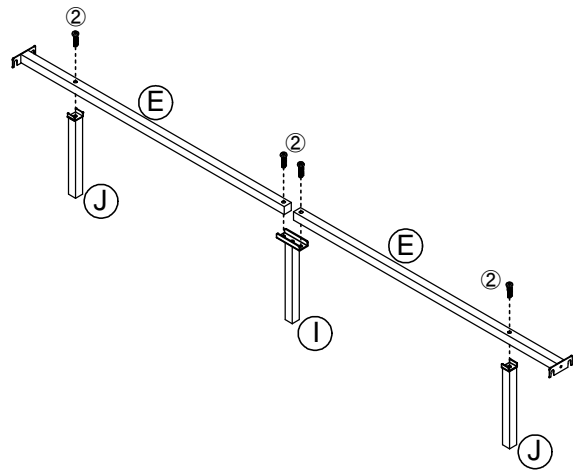


Step 7

Don't completely tighten the bolts until **STEP 10** is complete.

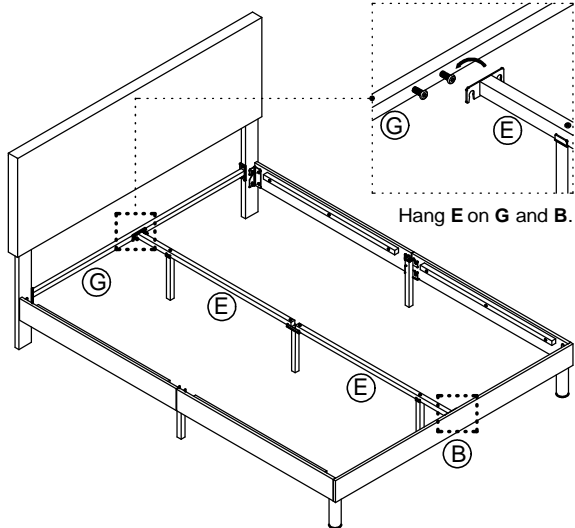


Step 8



② X 4PCS

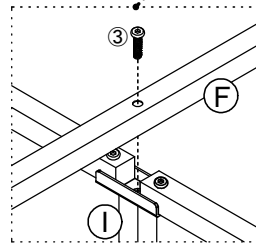
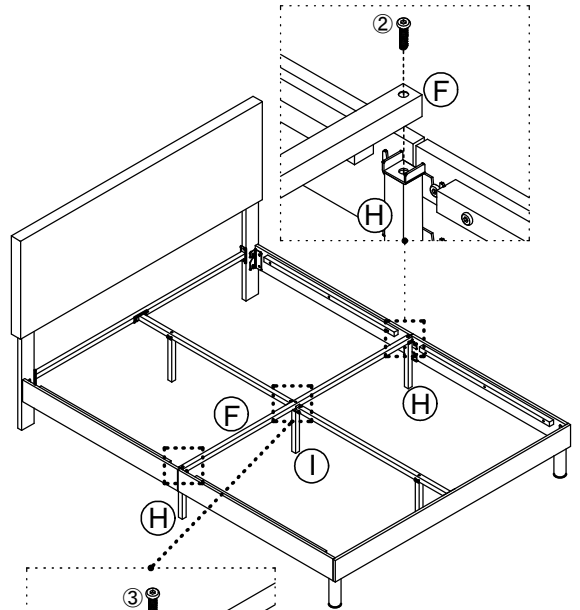
Step 9



Step 10

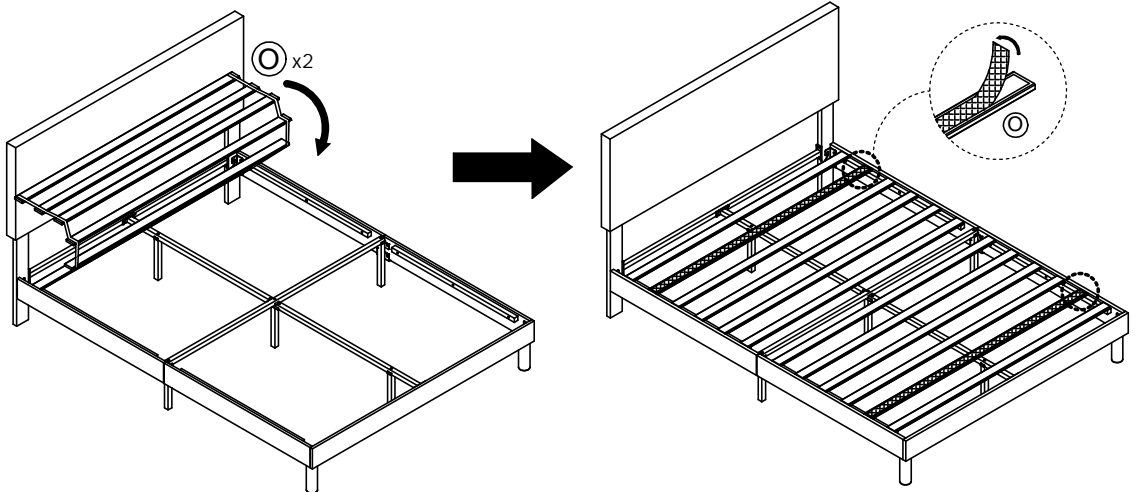
Then properly tighten all the bolts.

Attach F to H with ②.



② X 2PCS ③ X 1PC

Step 11



Note: After the overall installation, make sure to lock all screw fittings.