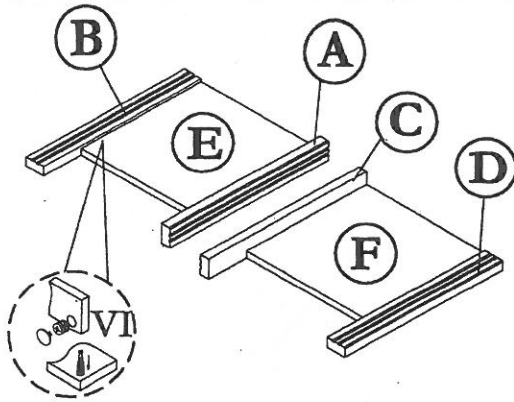


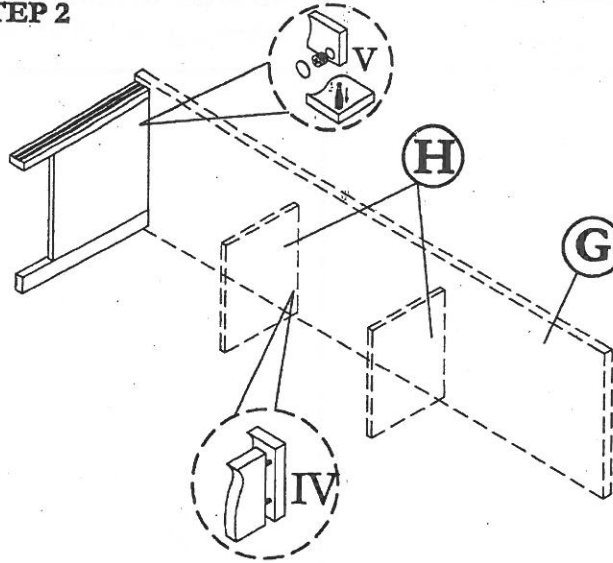
ASSEMBLY INSTRUCTION TV CABINET

Before you begin, please follow assembly instruction carefully.
Then follow them step by step.

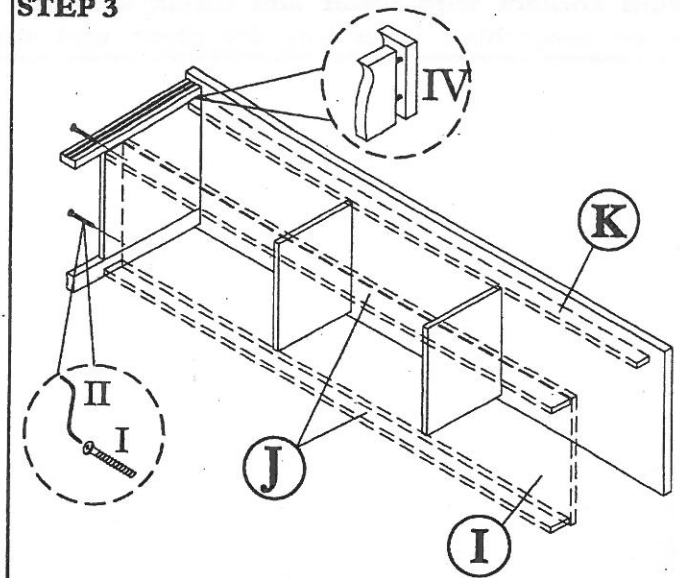
STEP 1



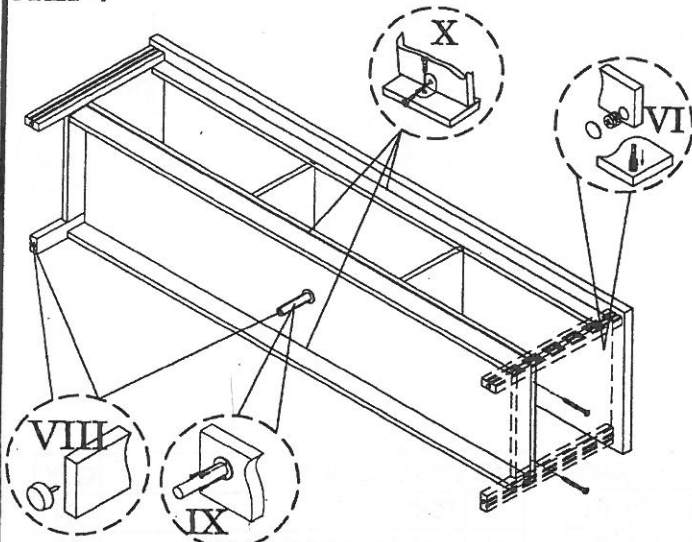
STEP 2



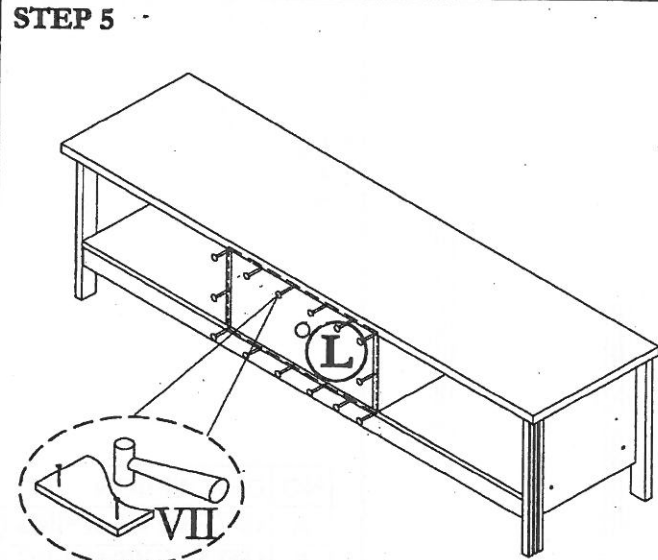
STEP 3



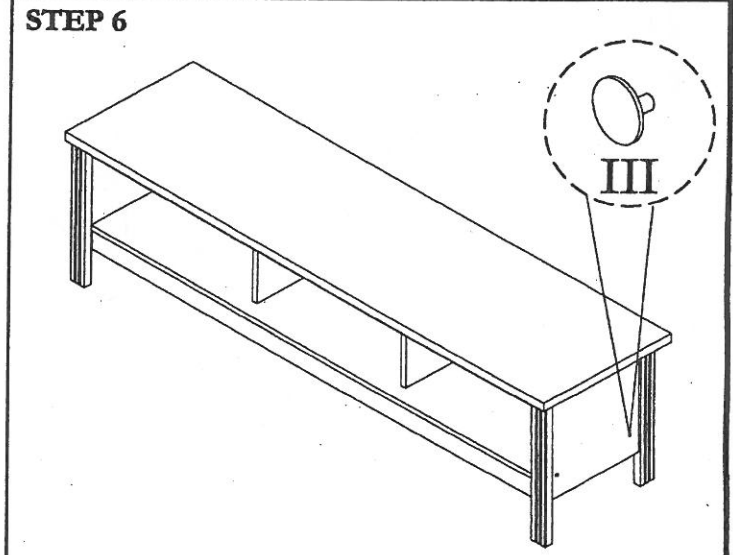
STEP 4



STEP 5



STEP 6



HARDWARE LIST

NO	DESCRIPTION	QTY
I	JCBCW SCREW M6 x 45	4pcs
II	M4 ALLEN KEY	1pc
III	CAP SMALL	4pcs

IV	M8 x 30 PLASTIC DOWEL	18pcs
V	Q-FIT	4sets
VI	Q-FIT (small)	8sets
VII	NAIL	10pcs
VIII	PVC NAIL WITH PIN	5pcs

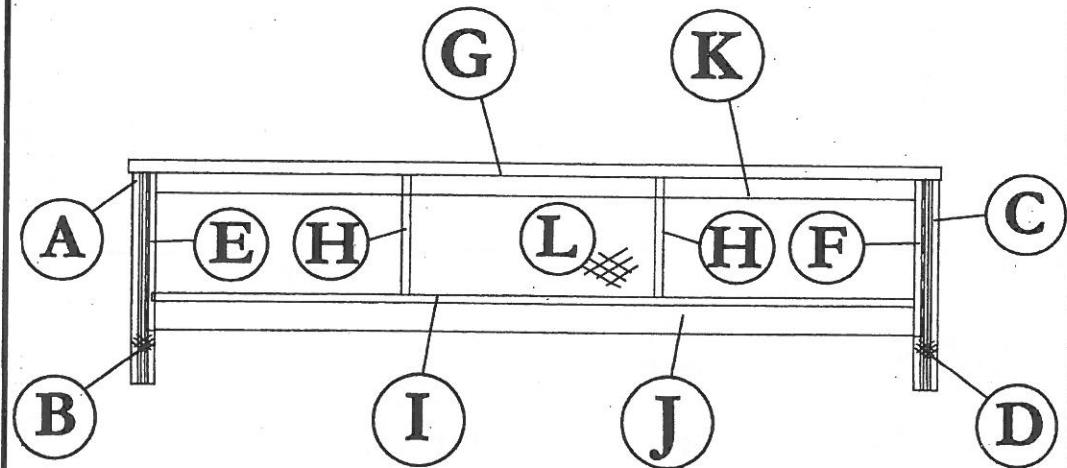
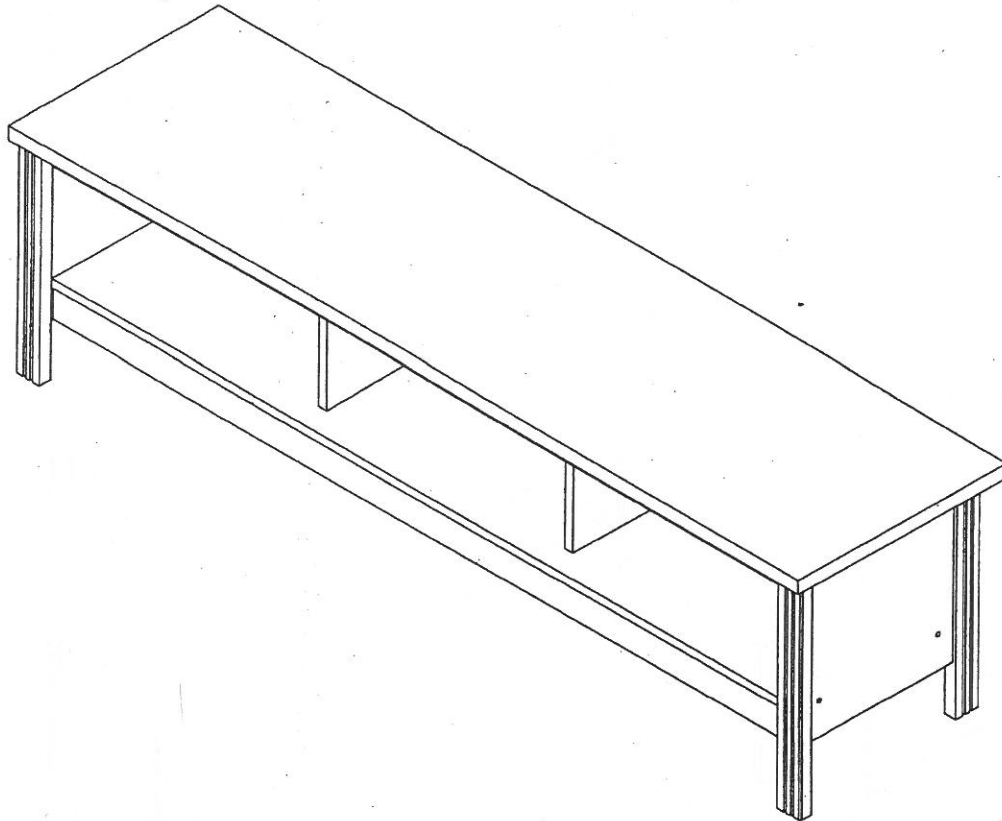
IX	PLASTIC LEG & SCREW M3.5 x 16	1sets
X	L BRACKET & SCREW M3.5 x 12	3sets

CAUTION:

To clean use soft, dry cloth. Do not use detergent or chemicals
Avoid contact with water and direct sunlight.
To be assembled on a soft, dry, clean and smooth surface.

ORDERING REPAIR PARTS

In order to obtain smooth and rapid service when ordering repair parts,
please give full attention to the following of PART NUMBER.



COMPLETE SET

NO	DESCRIPTION	QTY
A	LEFT SIDE WRAPPING (Front)	01
B	LEFT SIDE WRAPPING (Back)	01
C	RIGHT SIDE WRAPPING (Front)	01
D	RIGHT SIDE WRAPPING (Back)	01
E	LEFT SIDE	01
F	RIGHT SIDE	01

NO	DESCRIPTION	QTY
G	TOP	01
H	CENTRE VERTICAL	02
I	LOWER SHELF	01
J	LOWER SHELF SUPPORT	02
K	TOP SUPPORT	01
L	BACK	01