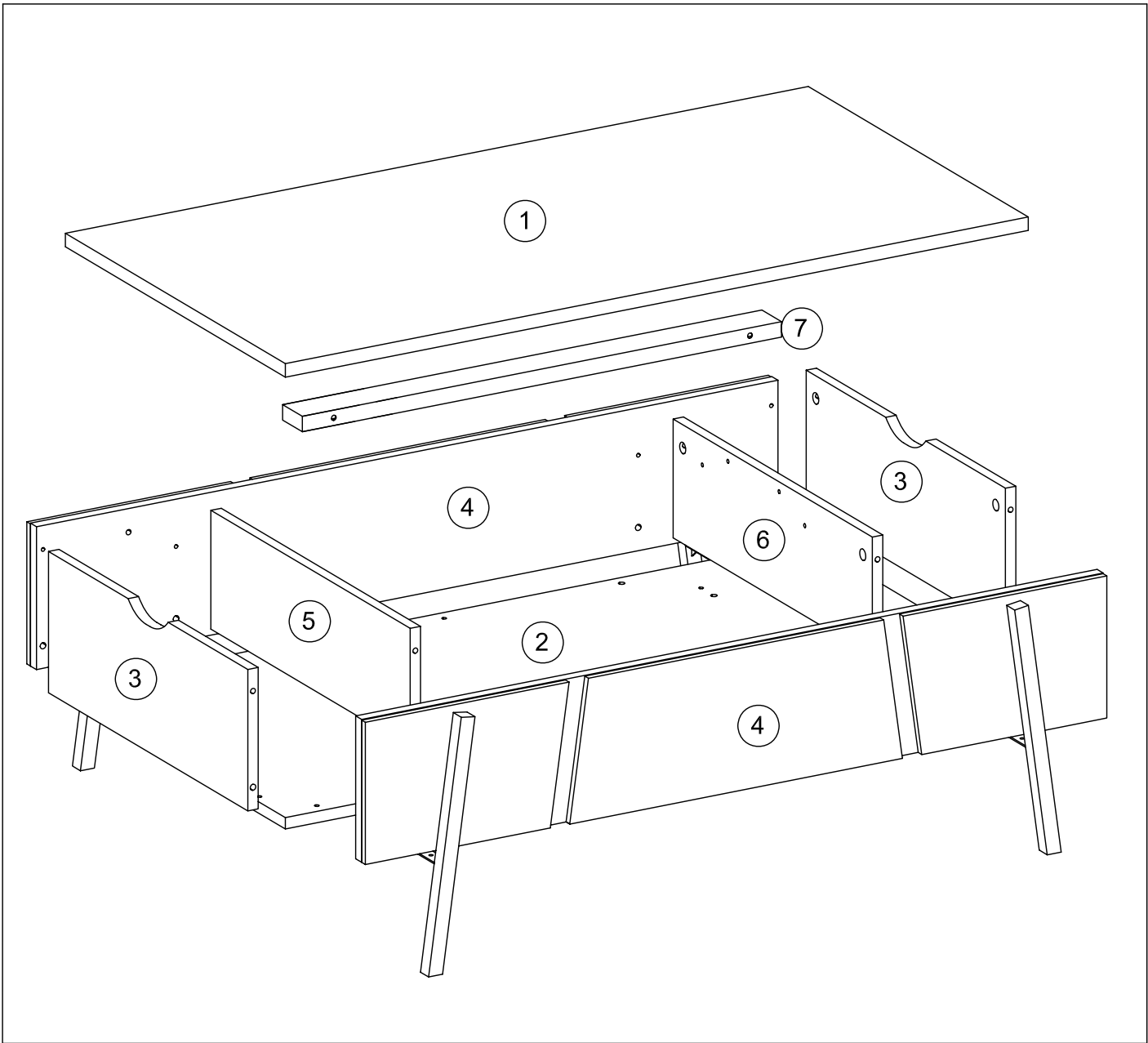
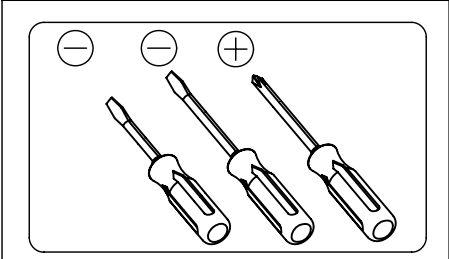
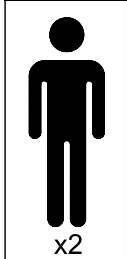
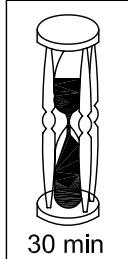
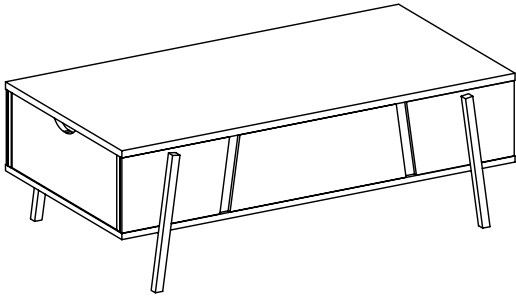
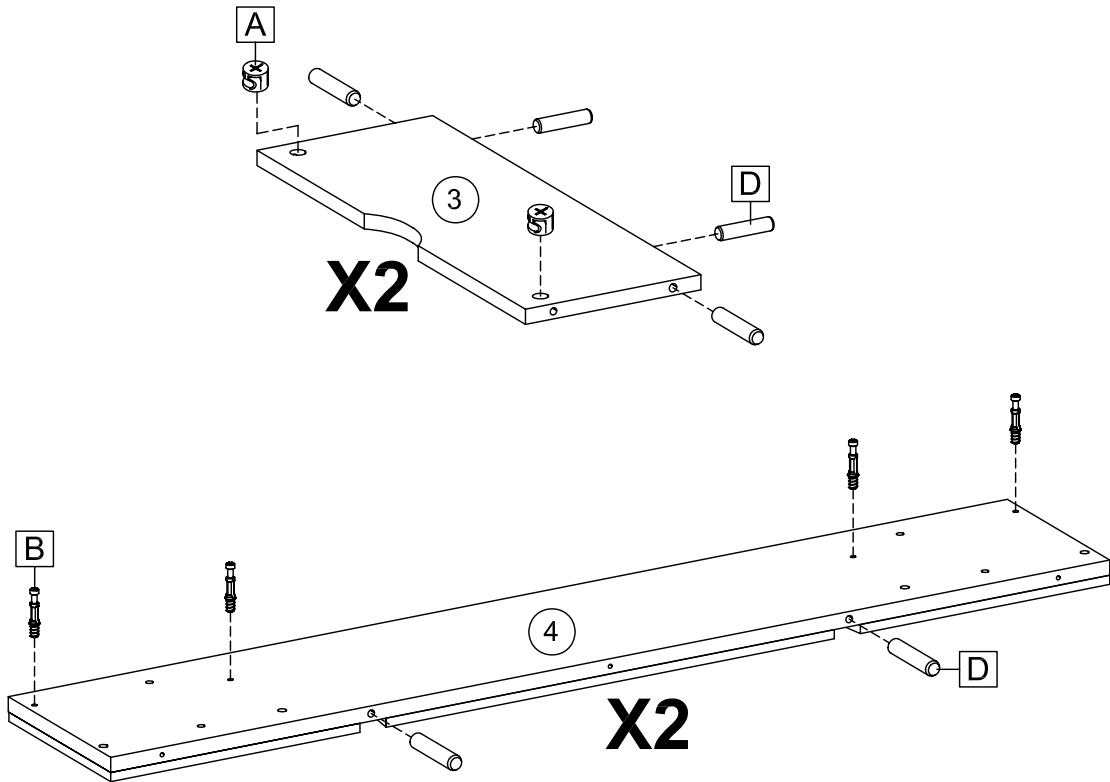
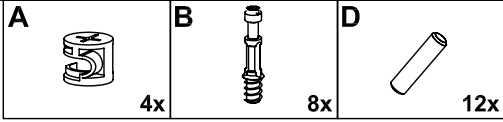


# COFFEE TABLE

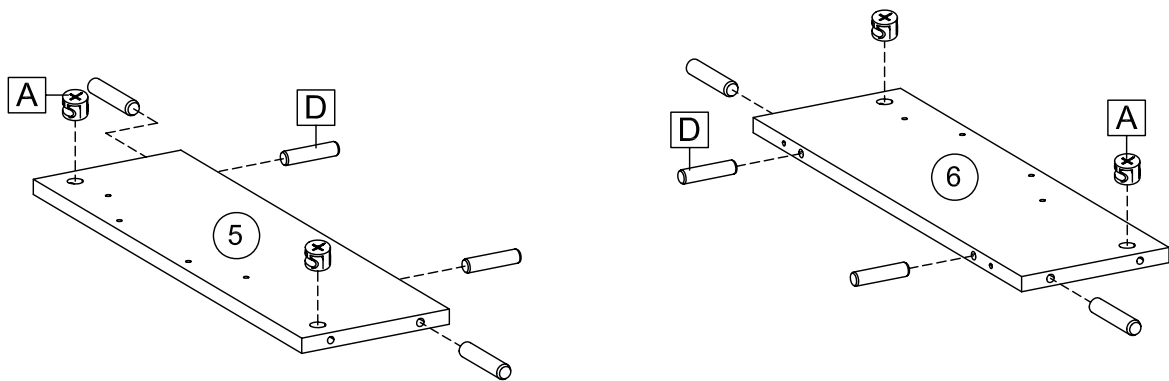
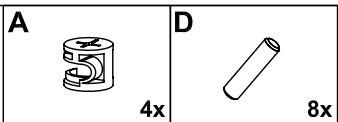


<b>A</b> 8X 	<b>B</b> 8X 	<b>C</b> 8X 	<b>D</b> 20X 	<b>E</b> 14X 10 x 33.5 mm 	<b>F</b> 4X 4 x 10 mm 	<b>G</b> 2 SET 	<b>H</b> 2X 10 x 25 mm 	<b>I</b> 1 SET 	<b>J</b> 8X 6 x 13 mm 
<b>K</b> 8X 6 x 35 mm 	<b>L</b> 4X 6 x 10 mm 								

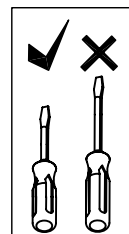
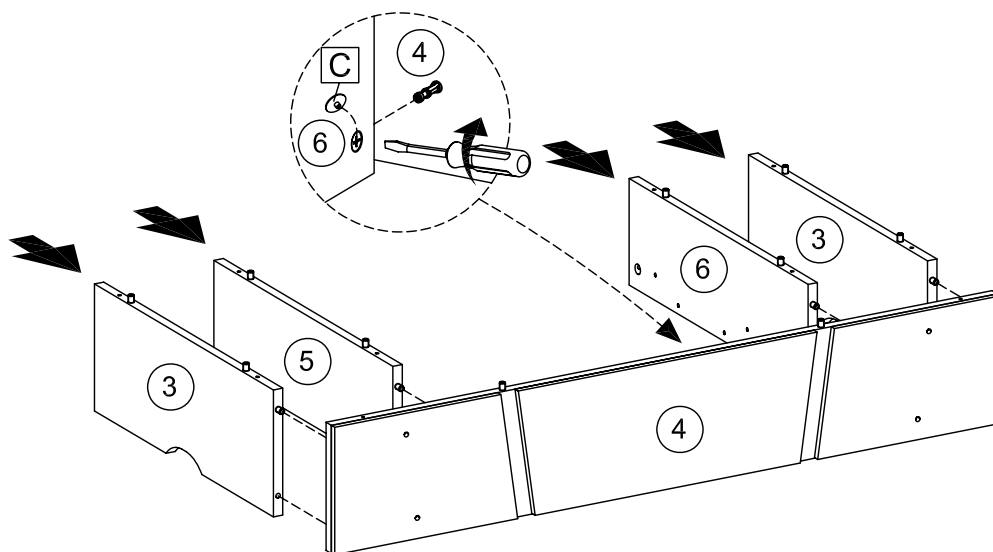
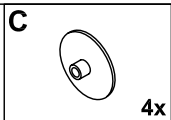
**1**



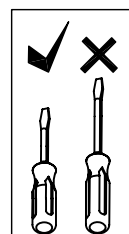
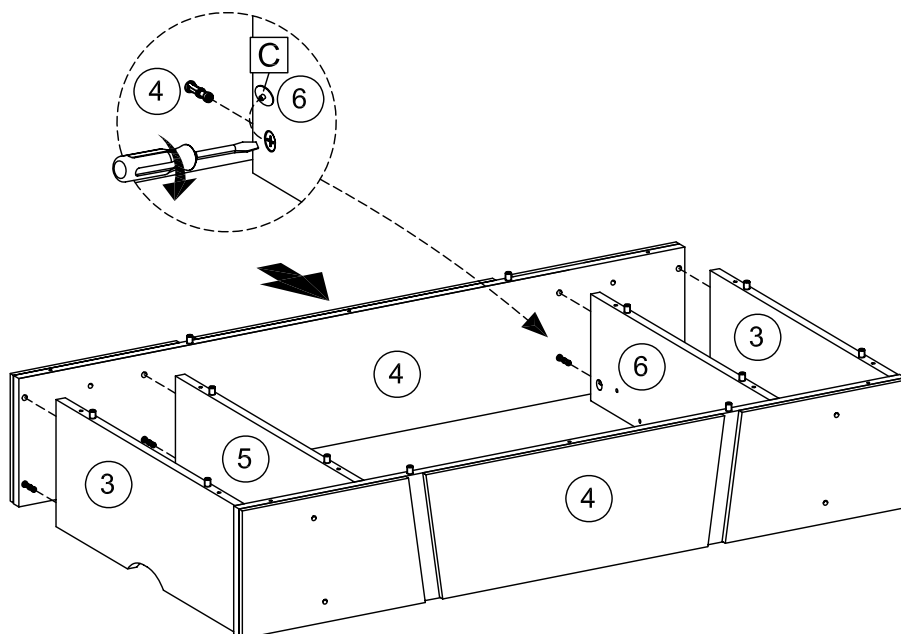
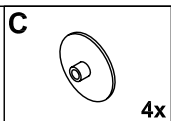
**2**



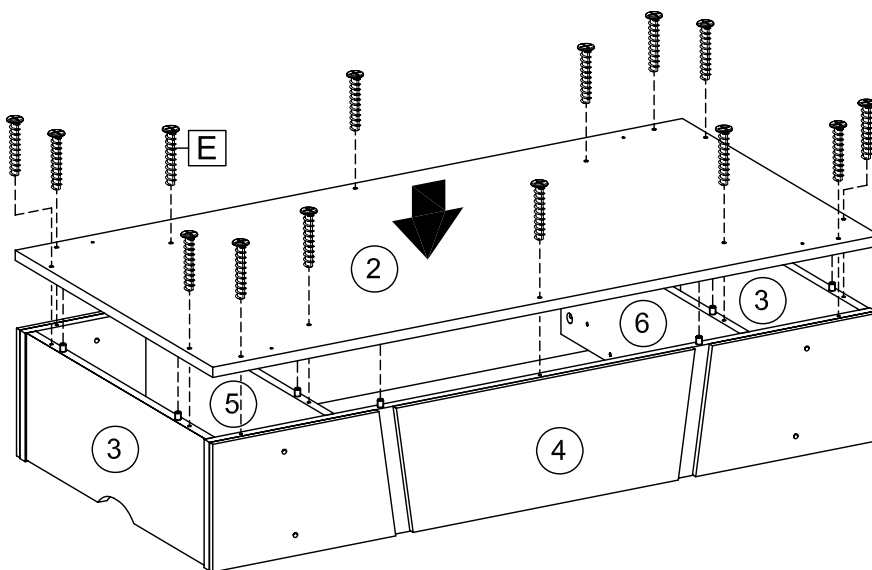
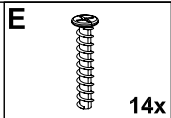
3



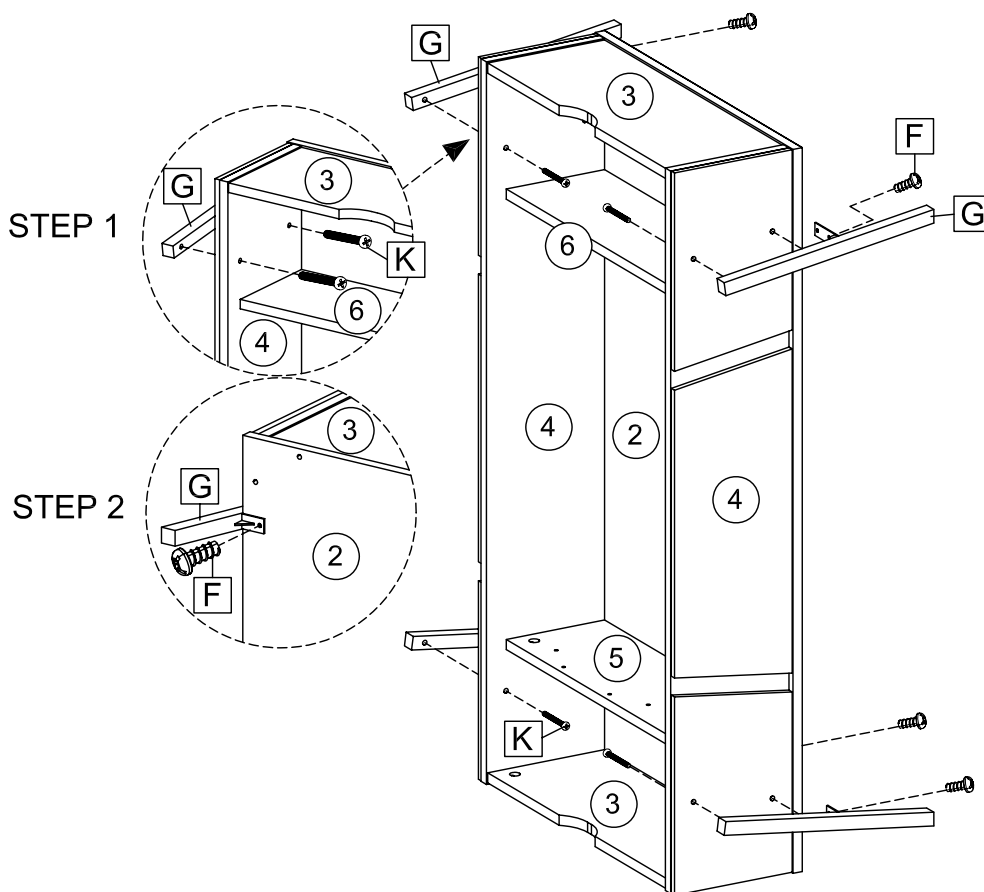
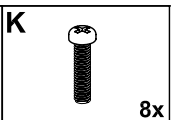
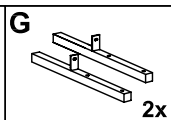
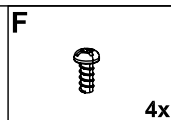
4



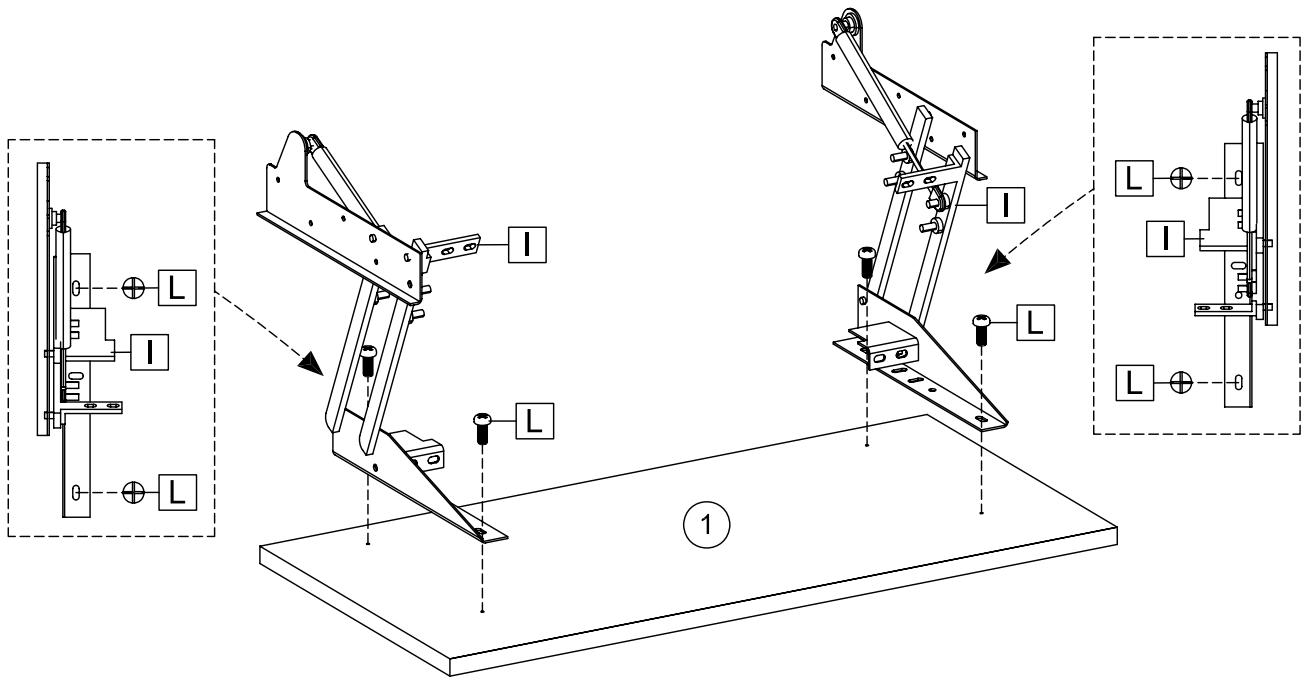
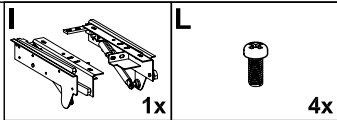
5



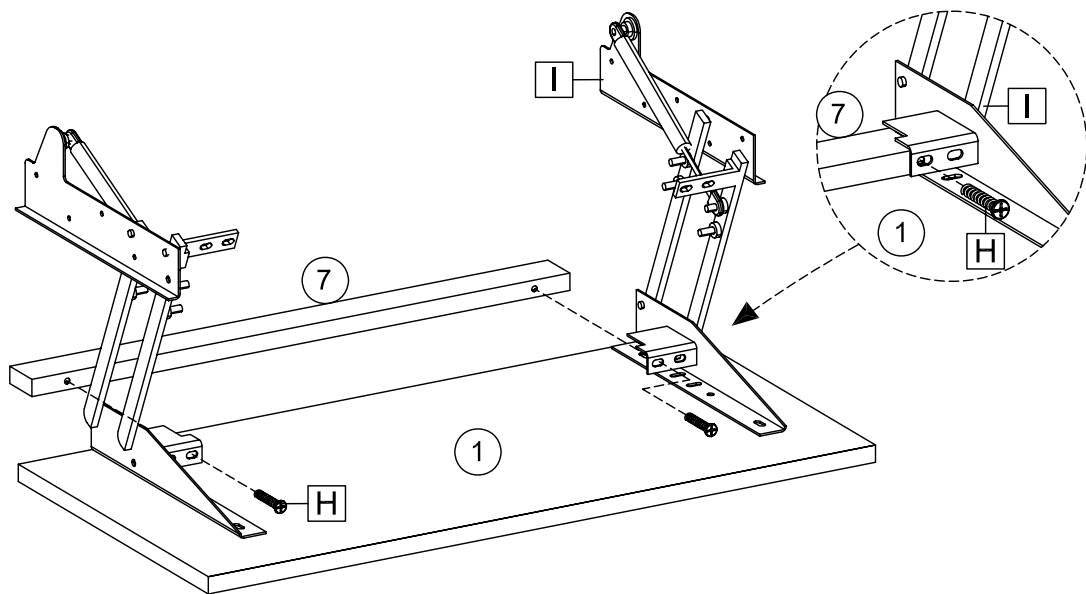
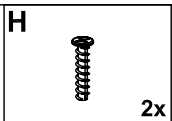
6



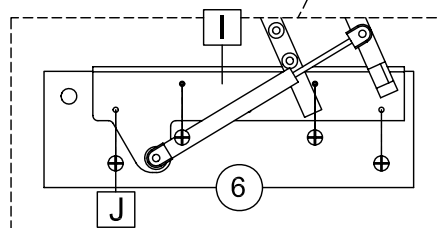
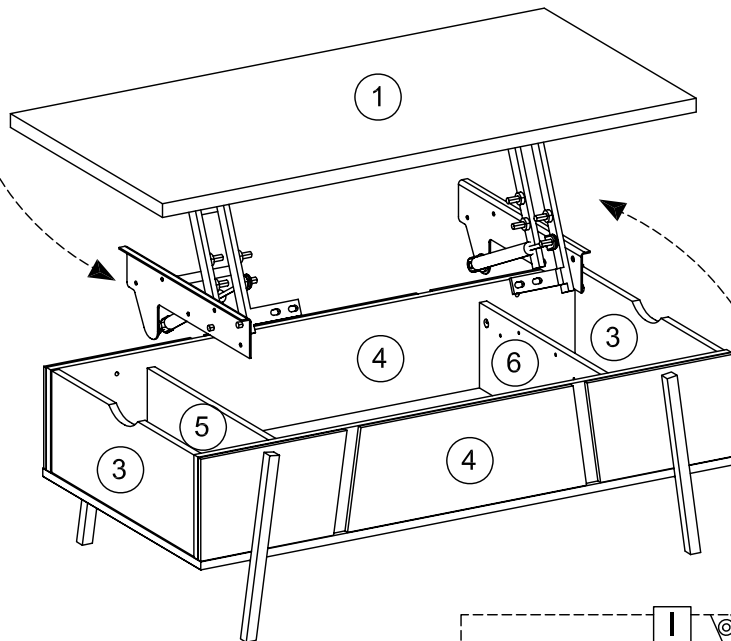
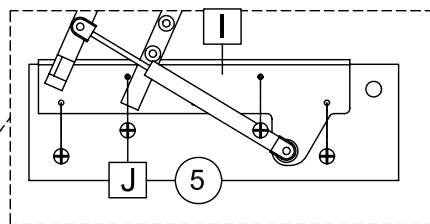
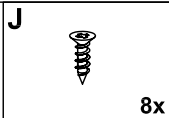
7



8



9



10

