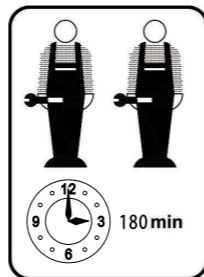
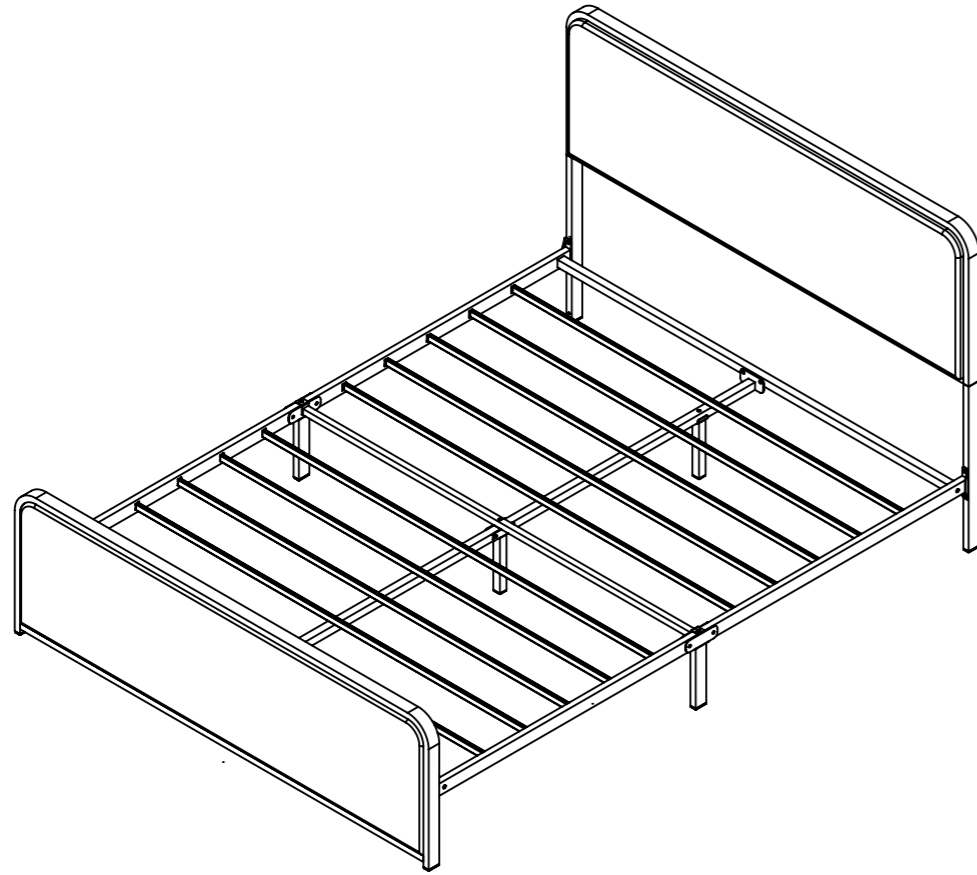


## ASSEMBLY INSTRUCTION

SKU CODE : WF319290  
WF319292  
WF319294

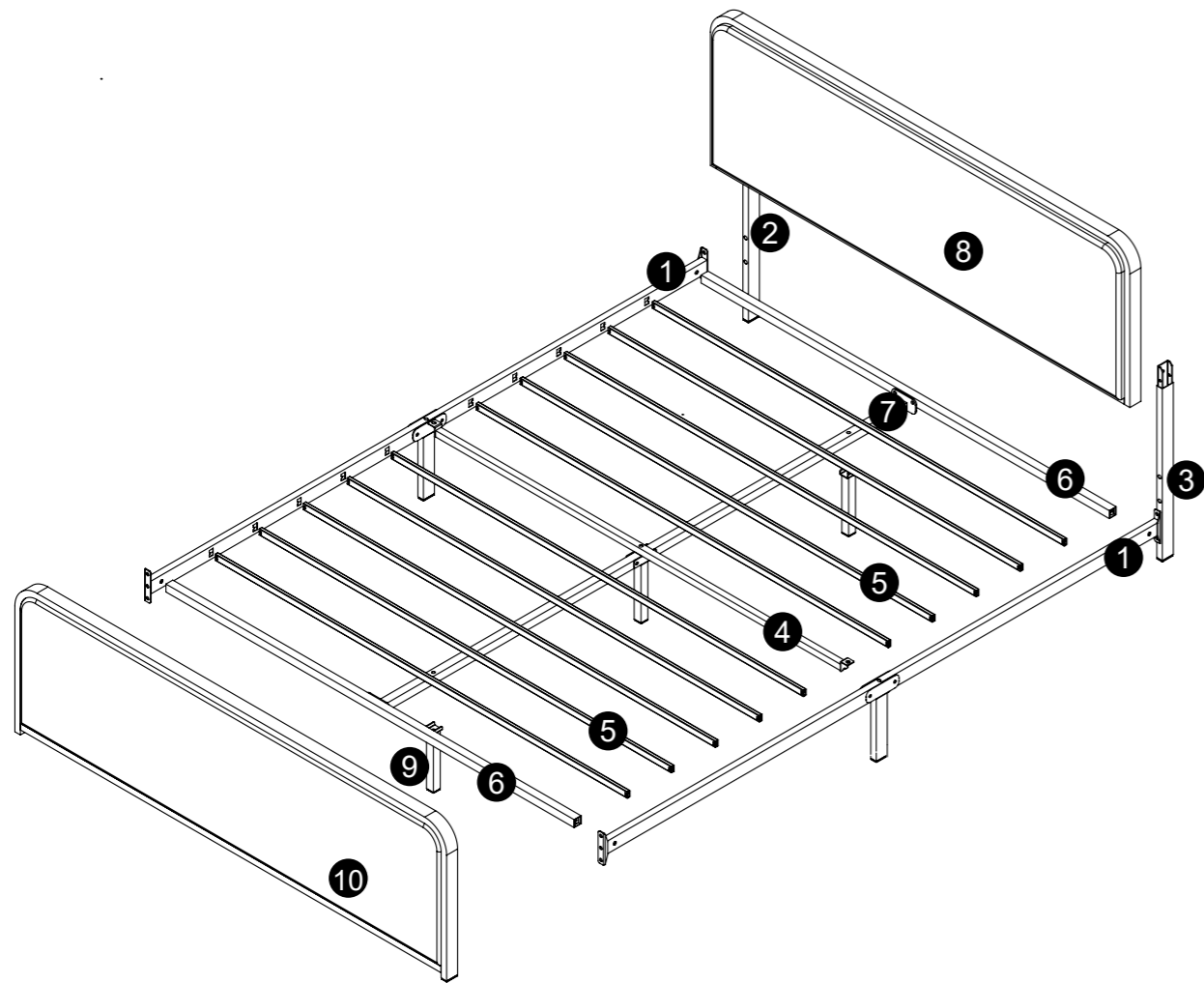


### English -IMPORTANT!

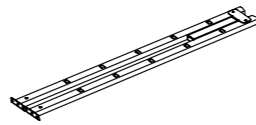
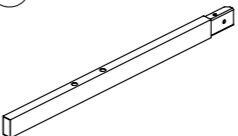
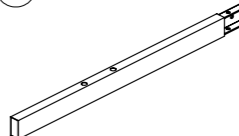
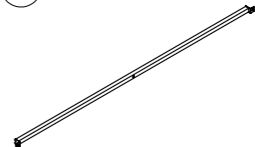
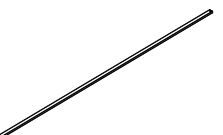
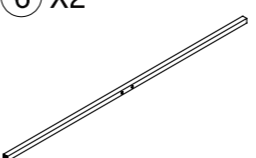
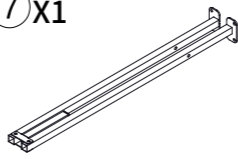
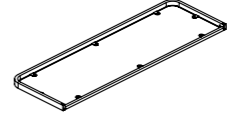
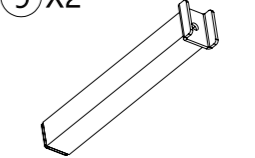
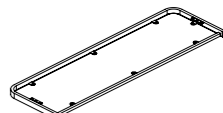
#### KEEP FOR FUTURE REFERENCE: READ CAREFULLY

- To be assembled by an adult. Assembly must be checked by an adult before use
- WARNING! keep all screws, small parts and plastic bags out of the reach of children
- Properly identify all parts before assembling
- Never use your item if any of its parts are broken or missing
- Should any problems arise, please contact our After Sales Service
- Manufacturer's instructions shall be followed at all times
- Care: clean with a soft, dry cloth. n case of larger stains, carefully rub with a slightly damp, non-abrasive sponge
- Do not jump on the bed

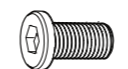
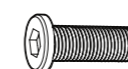

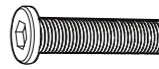

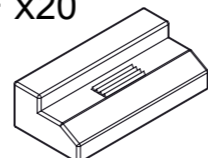
# Components List



# Part List WF319290/WF319292/WF319294

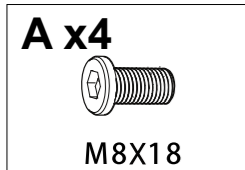
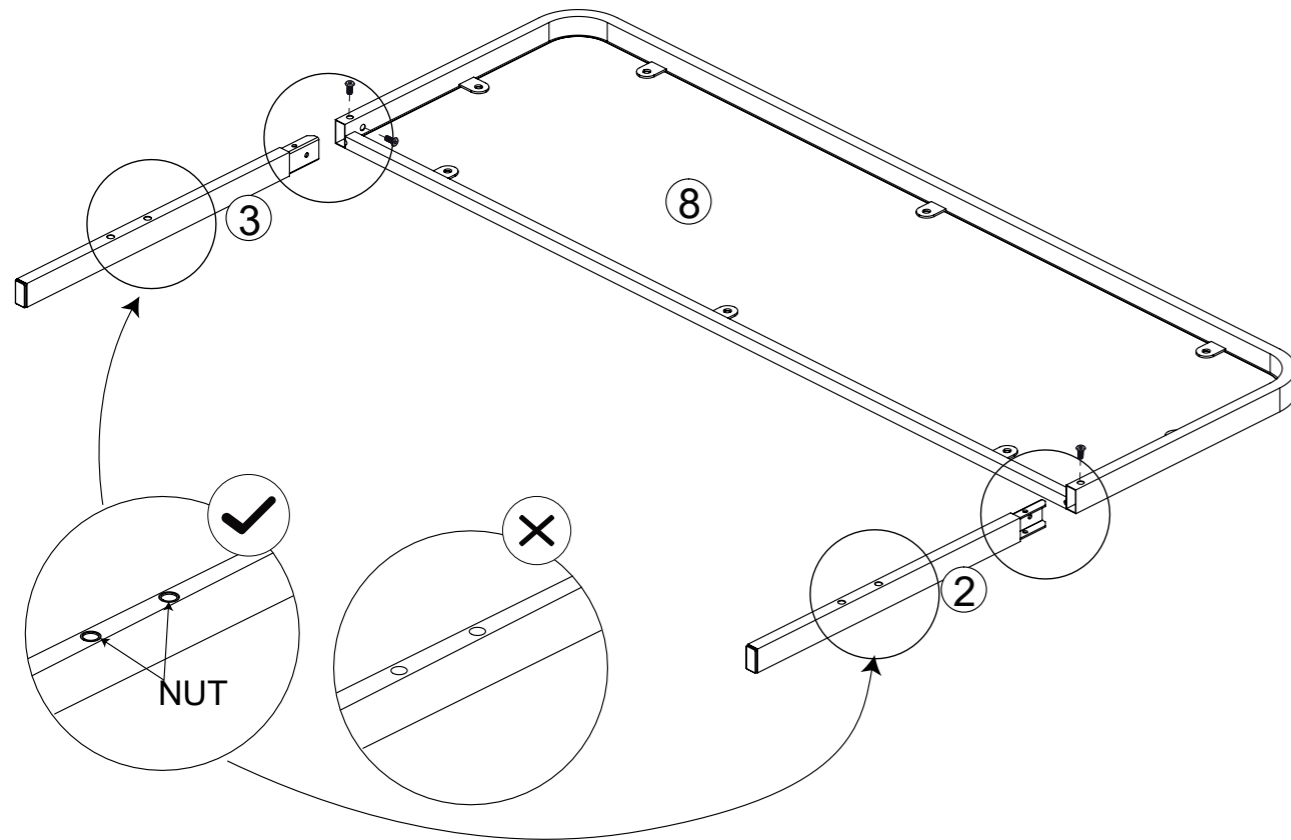
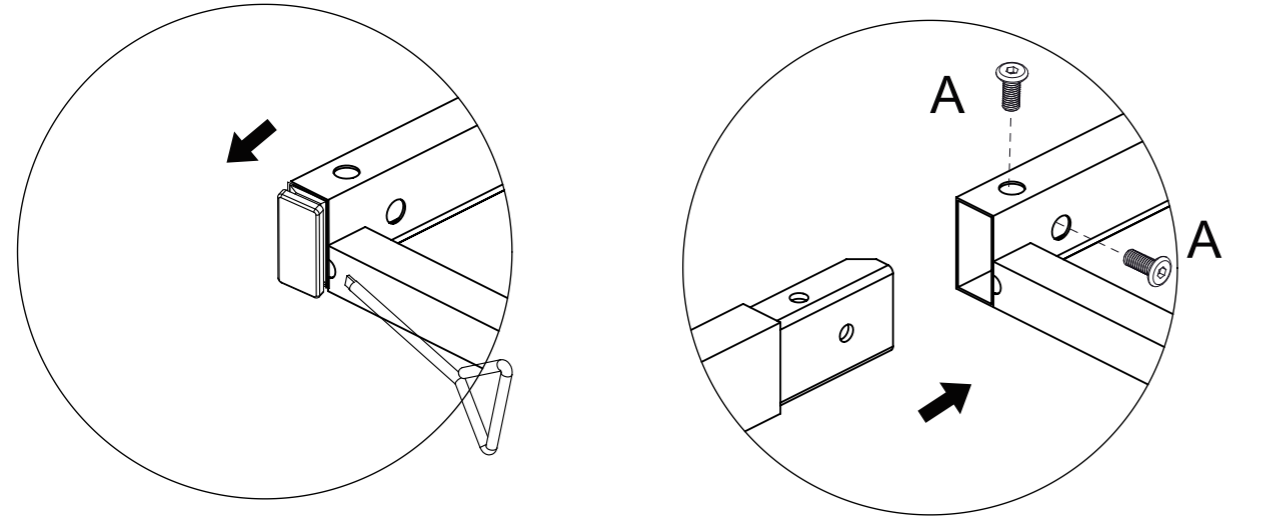
① X2 	② X1 	③ X1 	④ X1 	⑤ X10 
⑥ X2 	⑦ X1 	⑧ X1 	⑨ X2 	⑩ X1 

# Hardware List WF319290/WF319292/WF319294

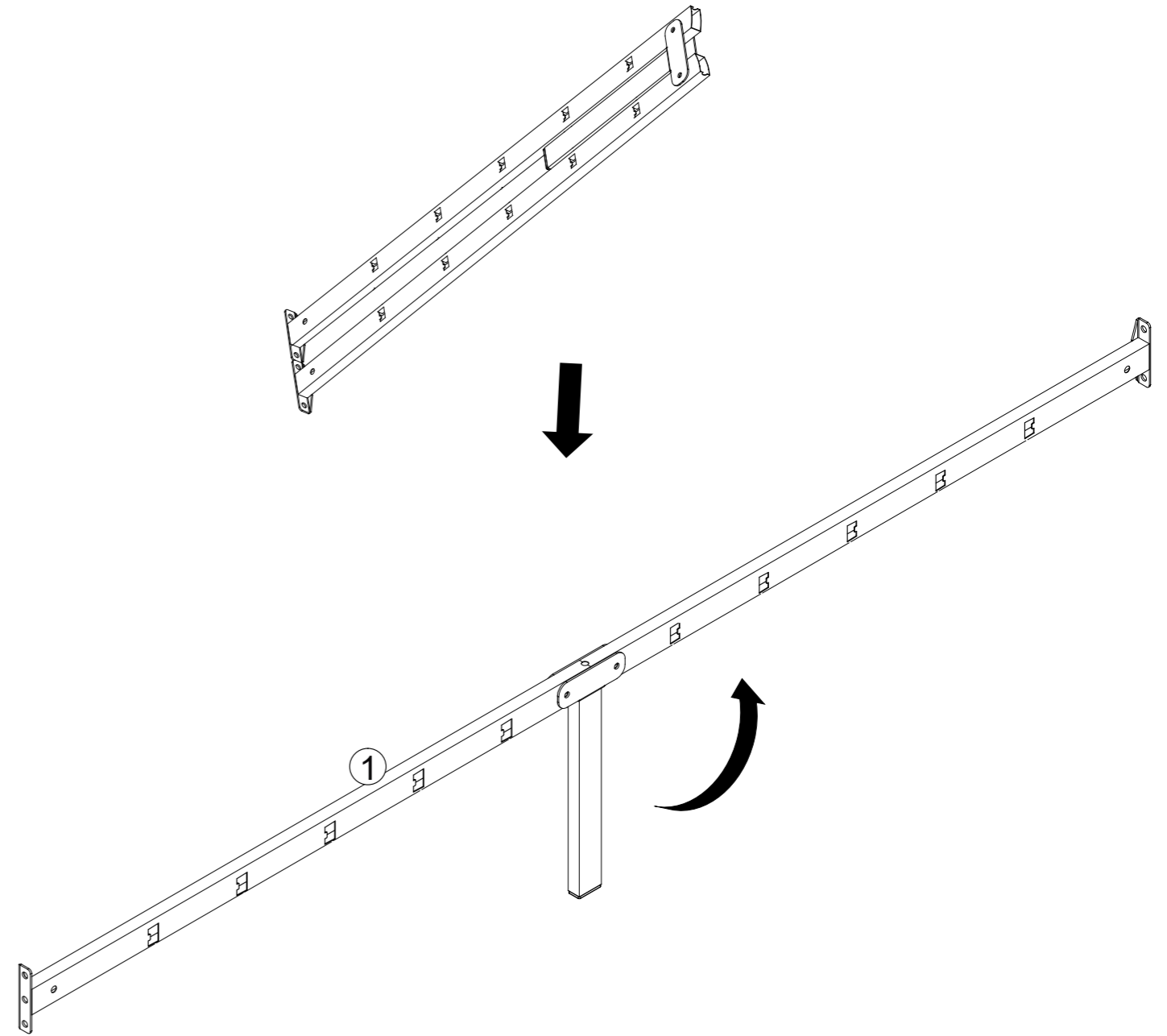
A x12  M8X18	B x6  M8X35	C x4  M8X45	D x3  M8X55	E x1 
F x20 				

# Step 1

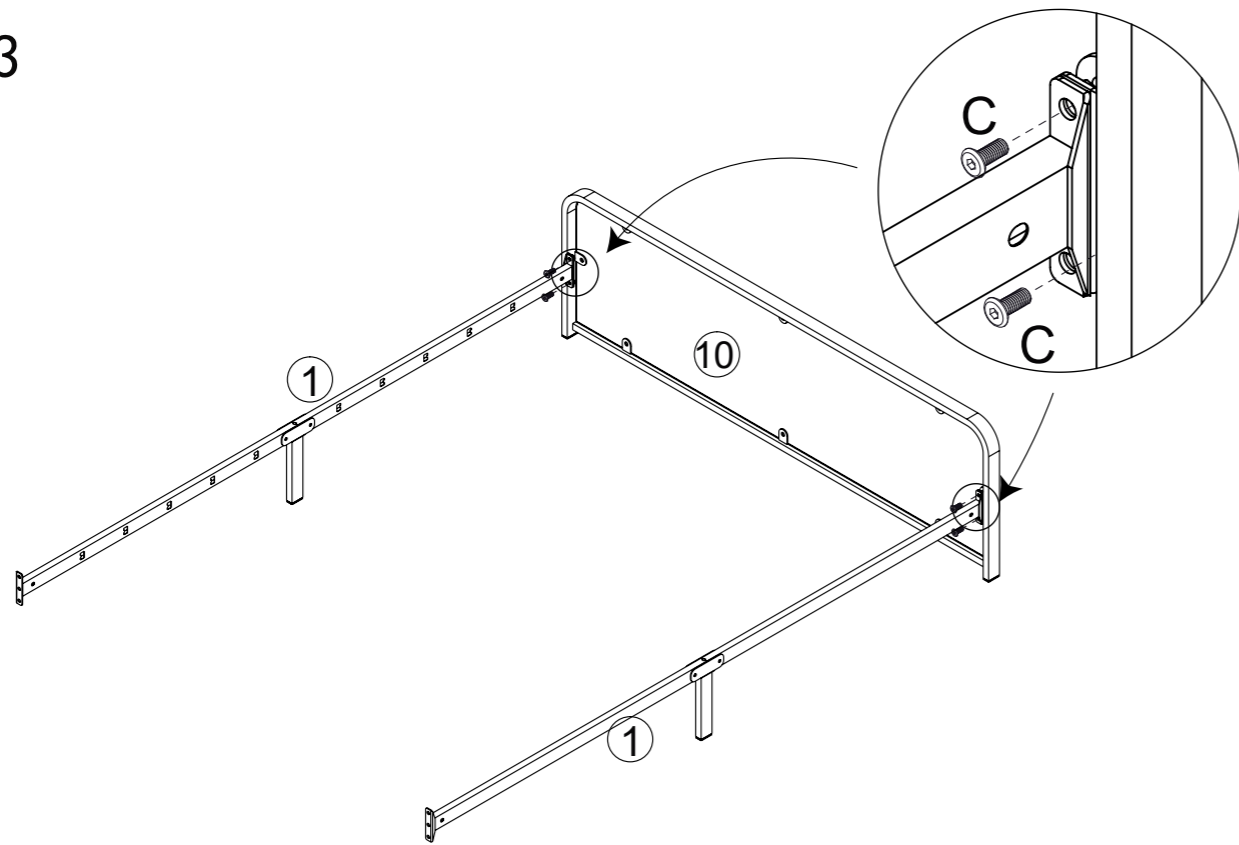
Please take off the Anti-bent Plugs before assembly the headboard !  
(note: please do not damage the paintwork)



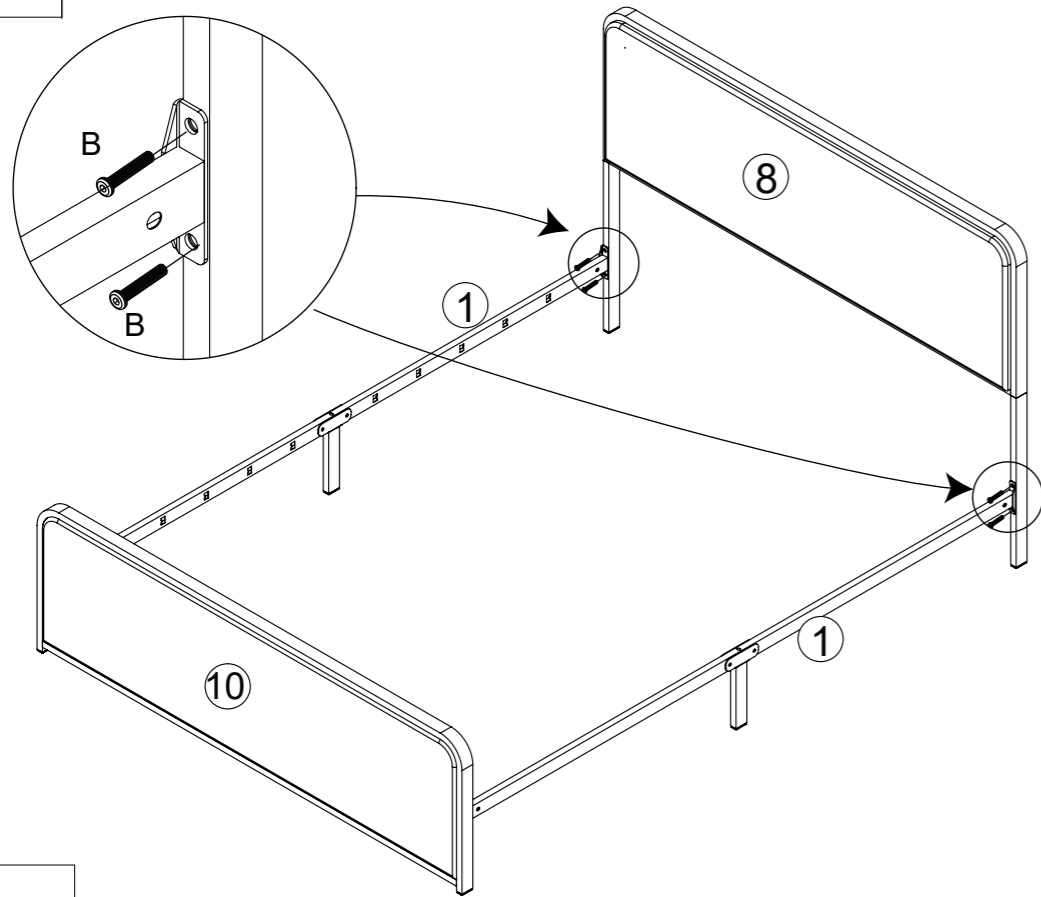
# Step 2x2



### Step 3

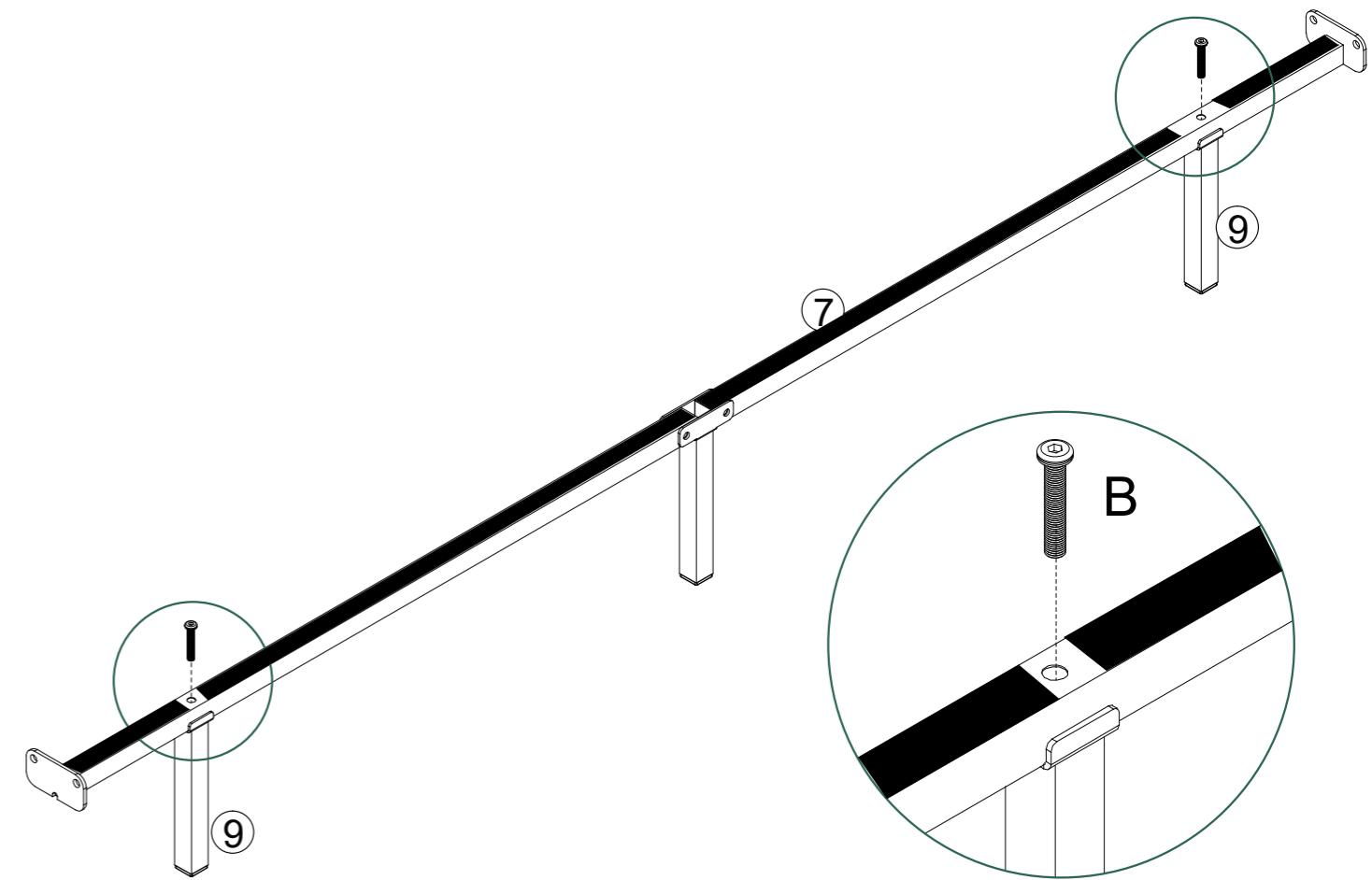
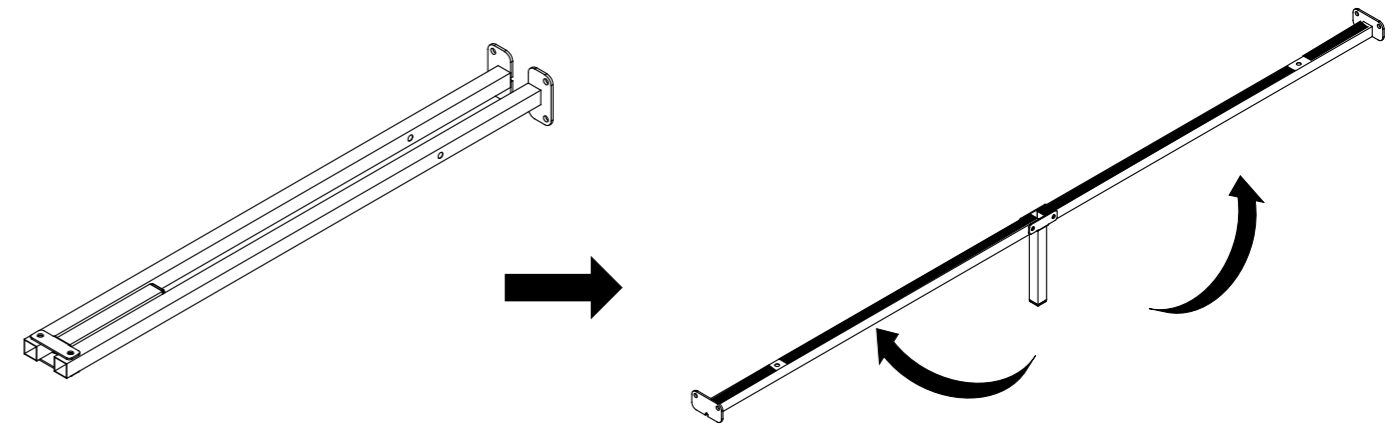


**A x4**  
M8X18



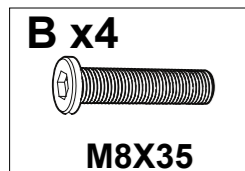
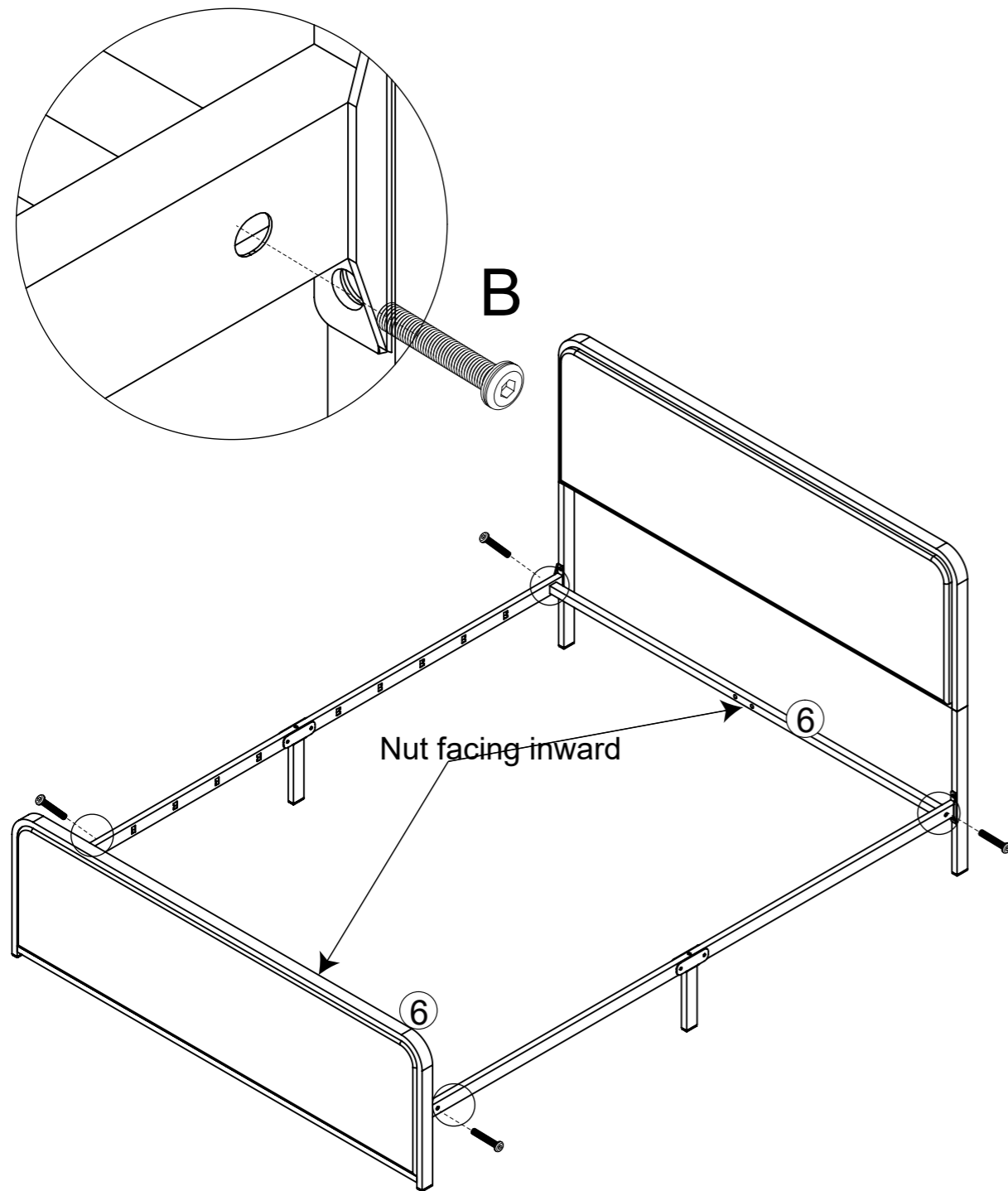
**C x4**  
M8X45

### Step 4

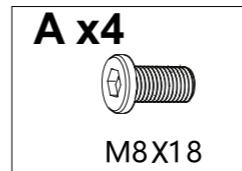
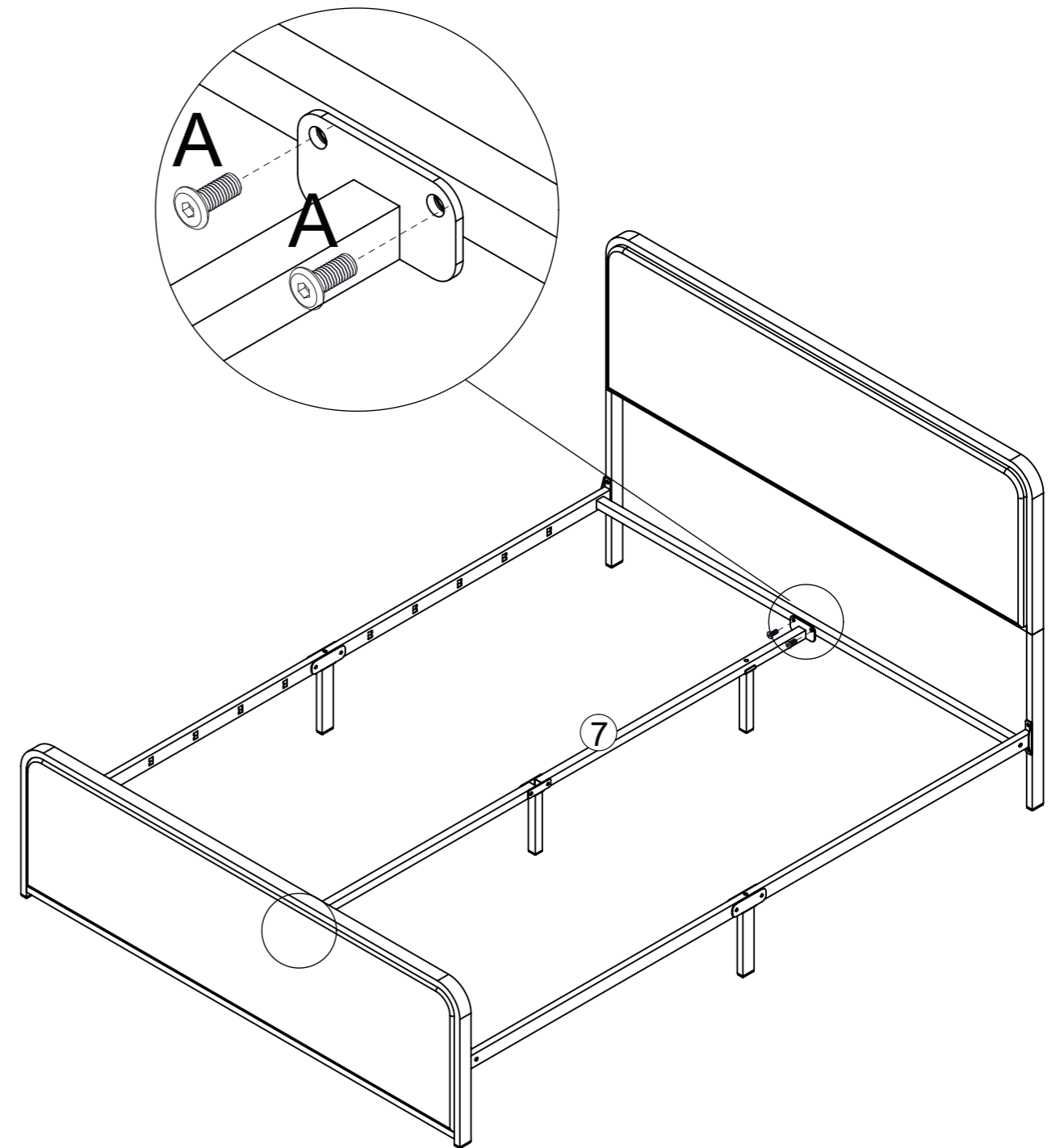


**B x2**  
M8X35

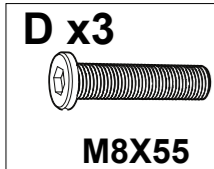
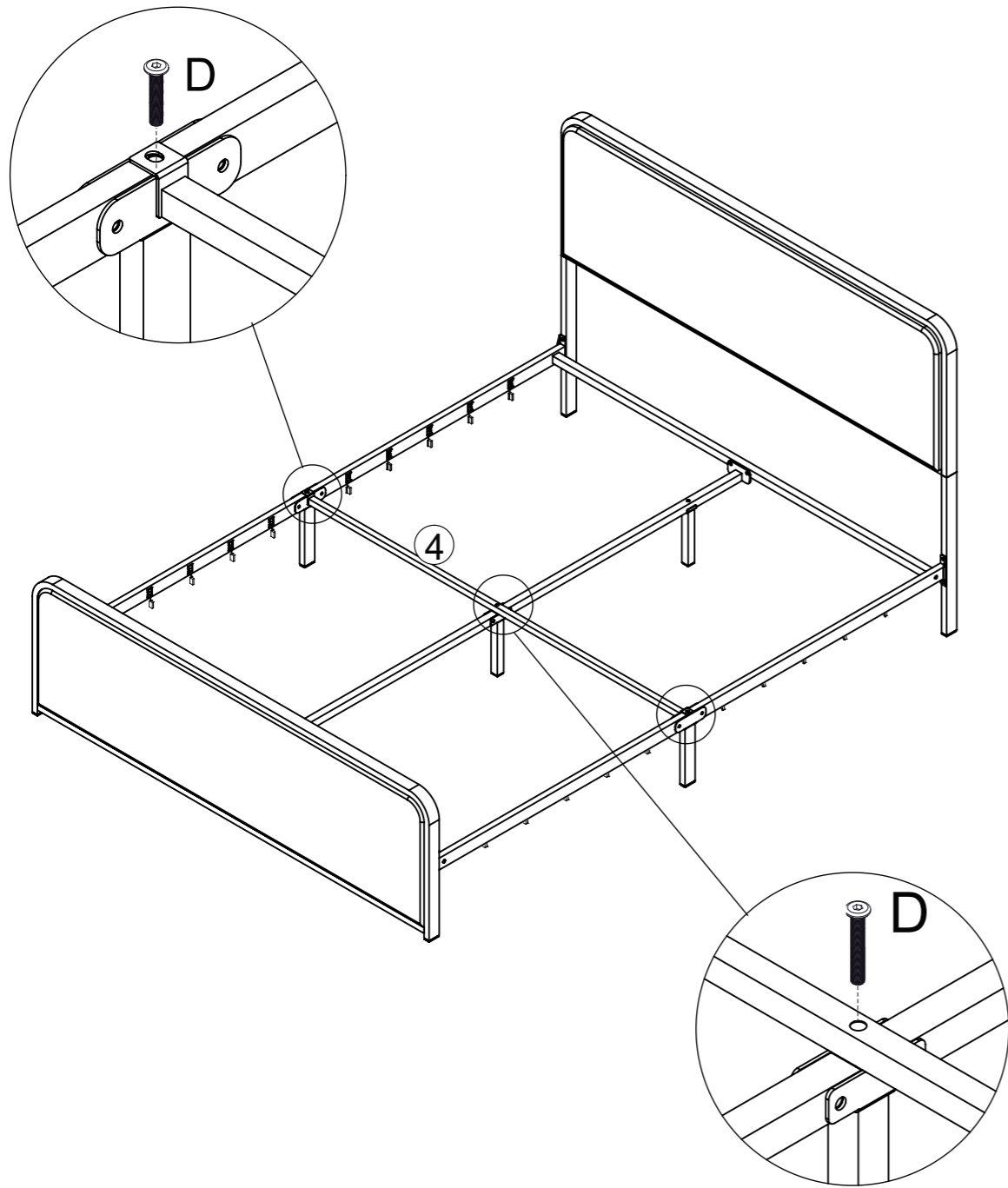
# Step 5



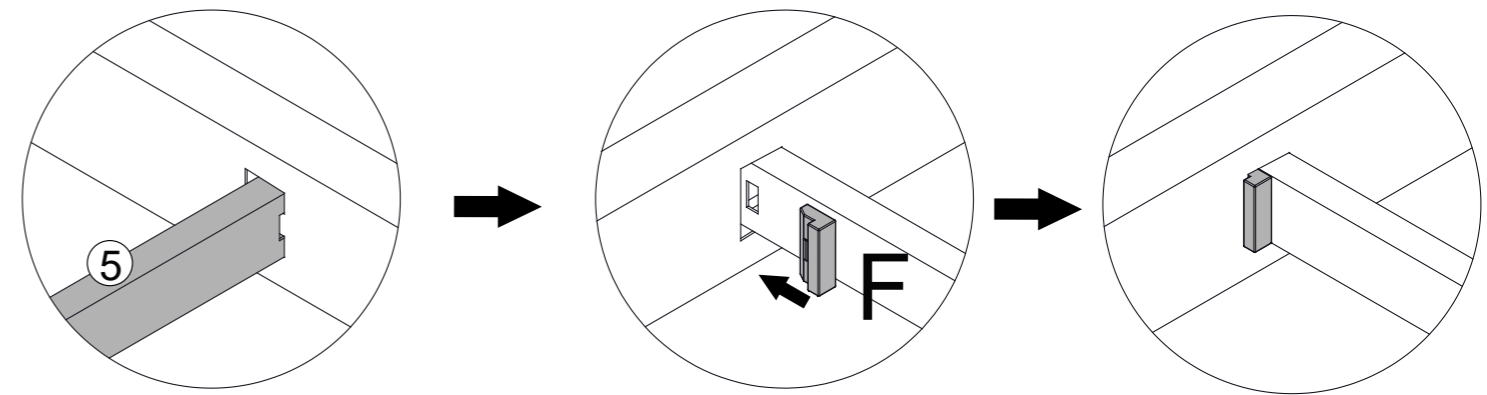
# Step 6



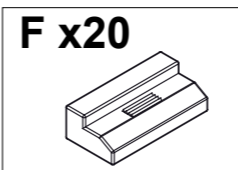
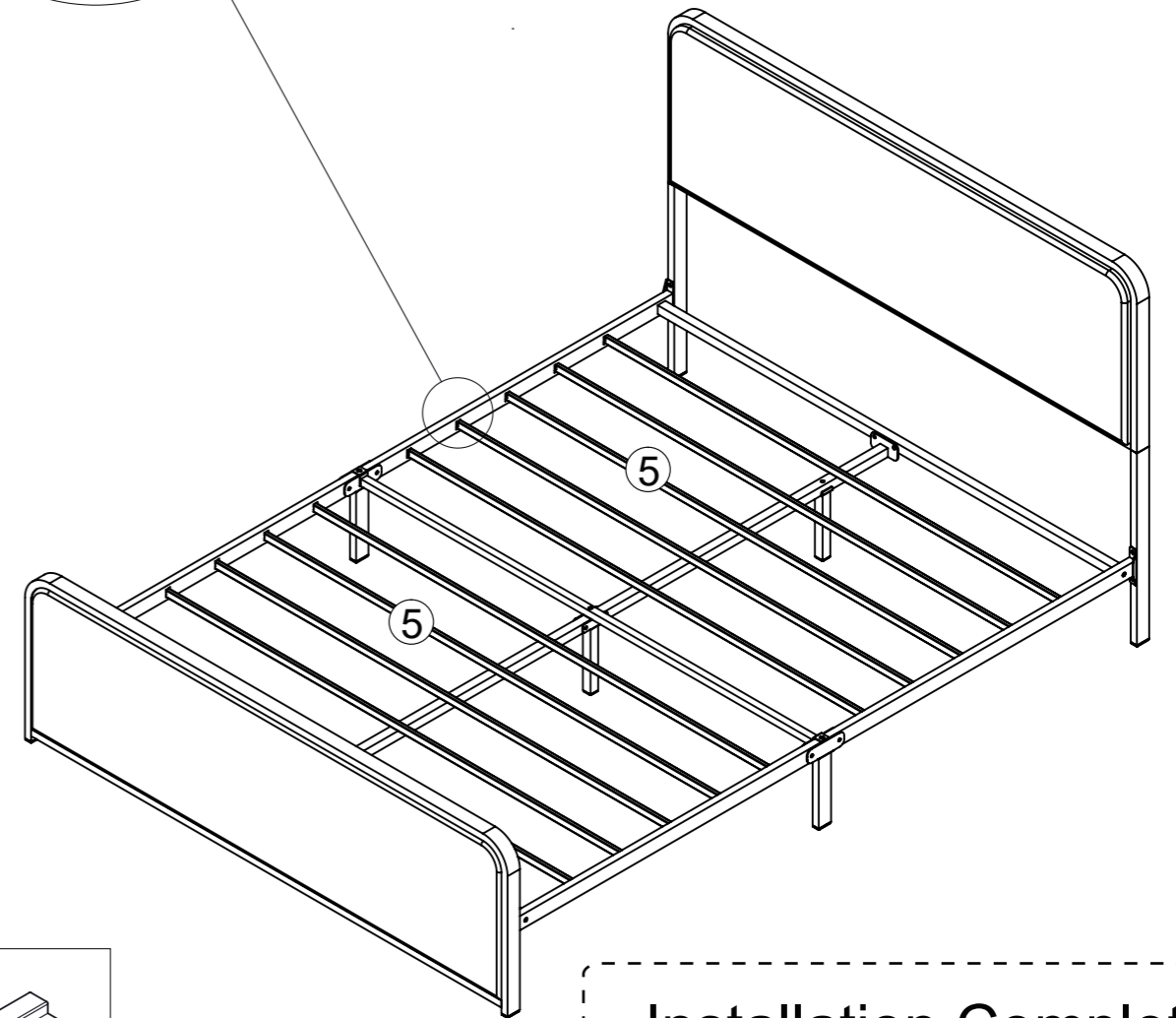
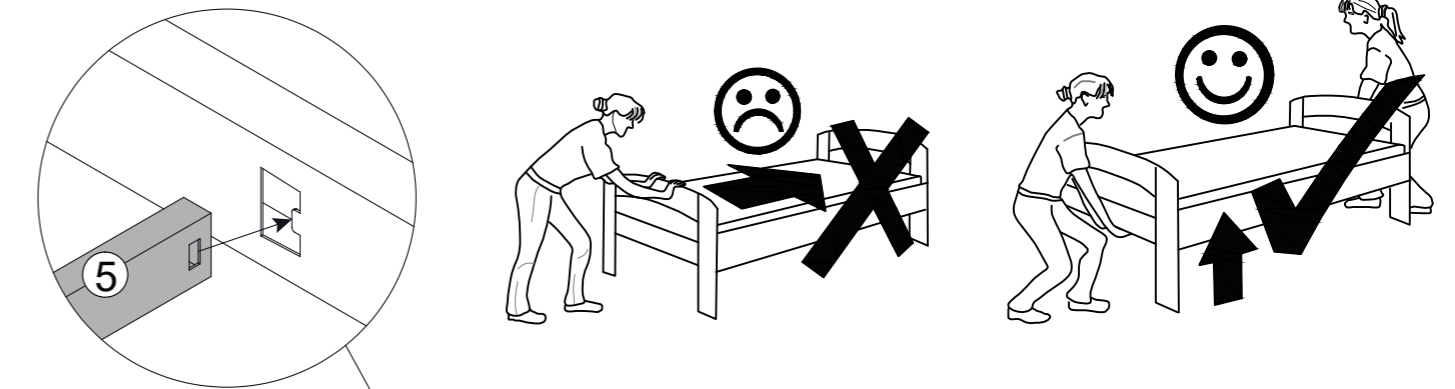
# Step 7



# Step 8



**Note:** Make sure to push to the bottom, you can use a hard object to hit it smoothly



Installation Complete