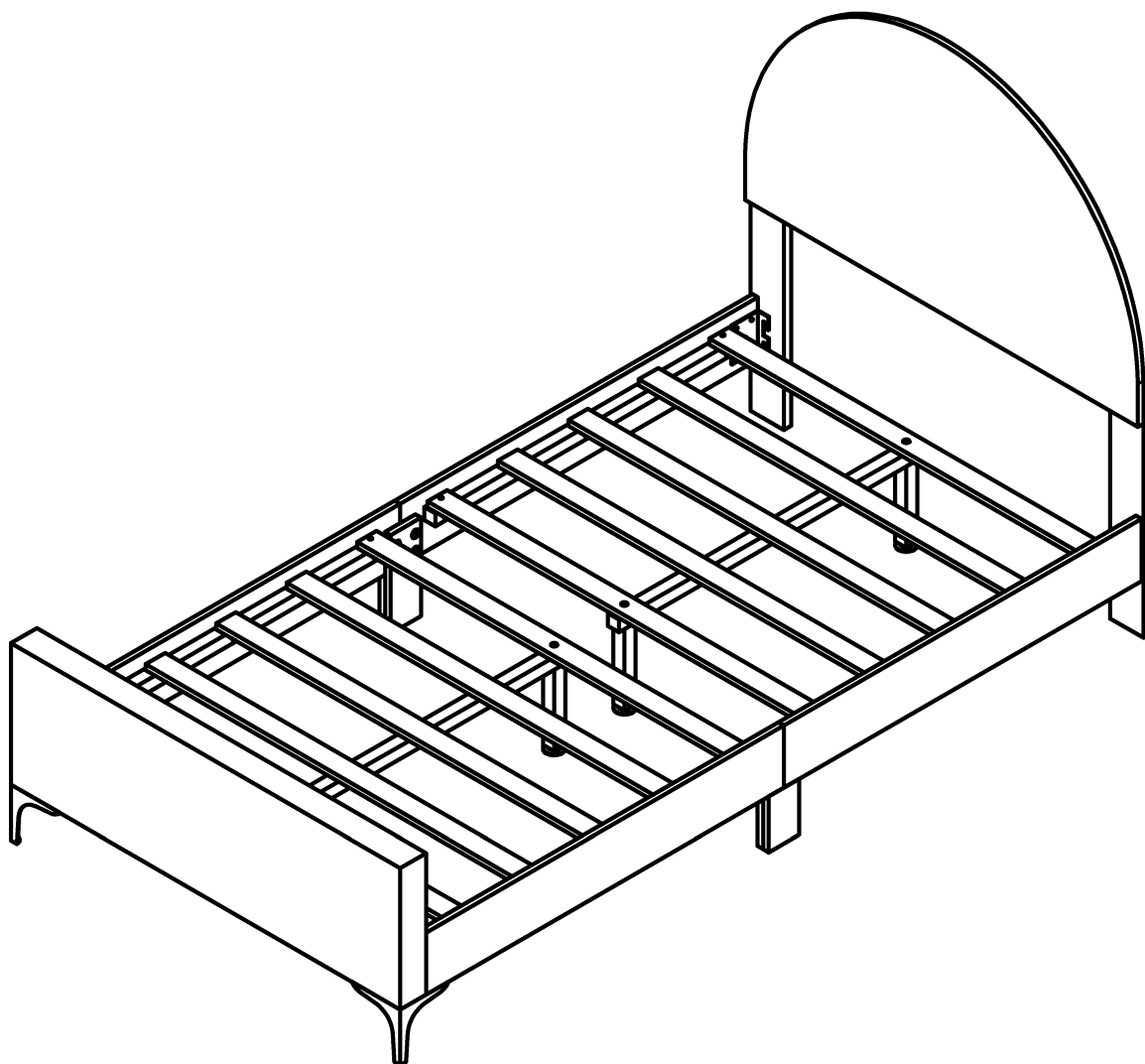
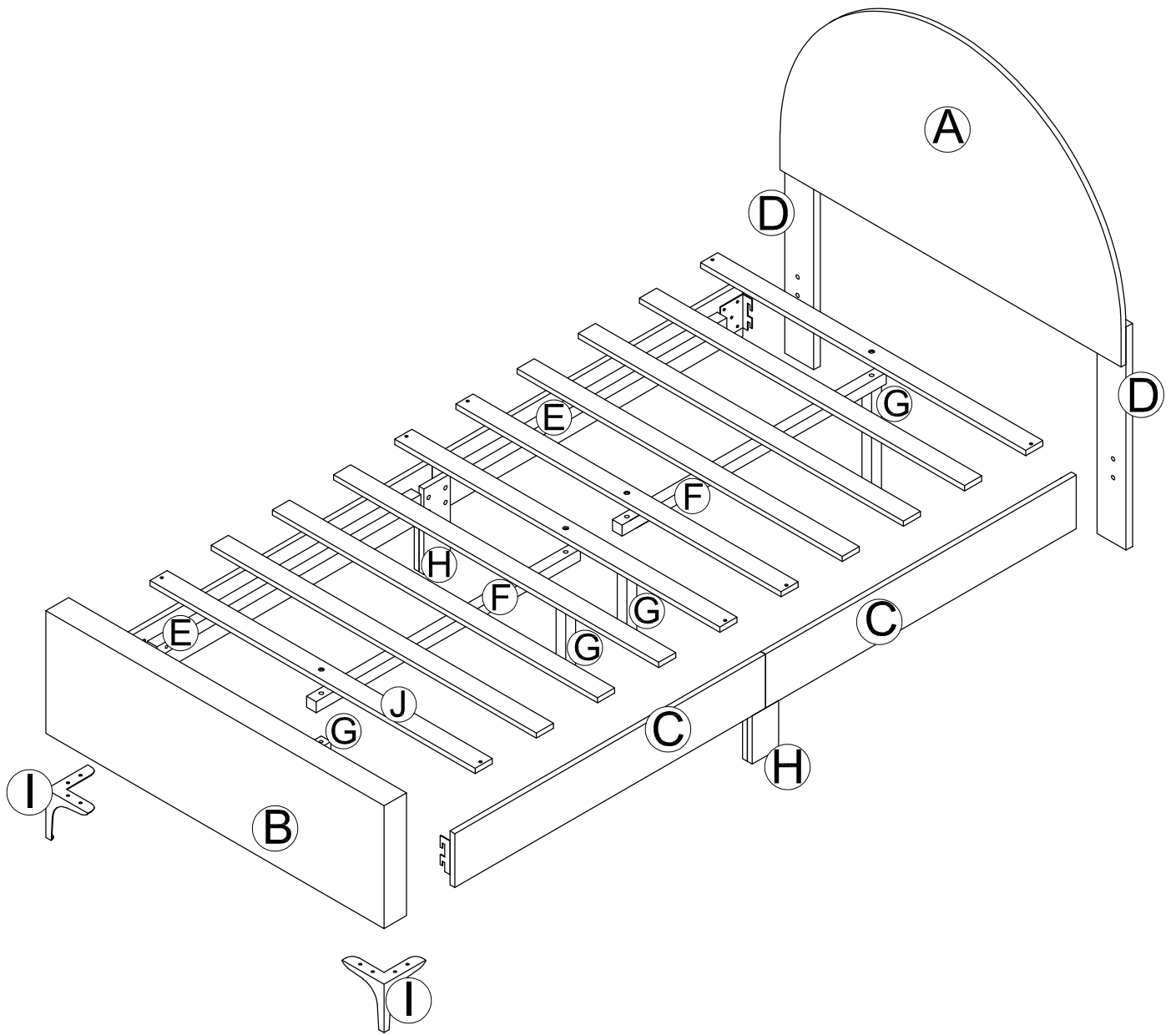


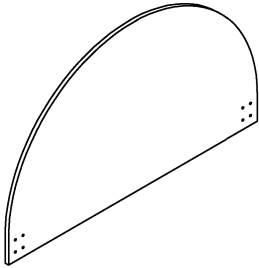
# ASSEMBLY INSTRUCTION





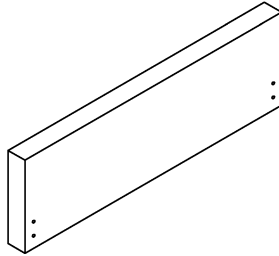
# Part List

**A**



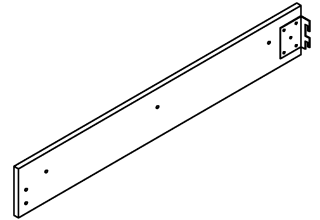
HEADBOARD - 1pc

**B**



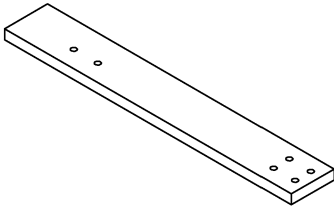
FOOTBOARD - 1pc

**C**



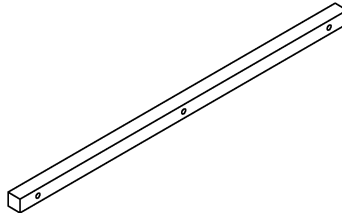
SIDE PANEL - 4pcs

**D**



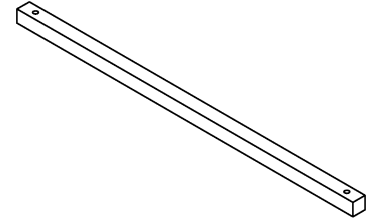
HEADBOARD LEG - 2pcs

**E**



SIDE WOOD BASE - 4pcs

**F**



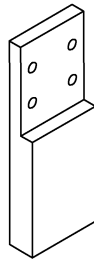
CENTER WOOD BASE - 2PCS

**G**



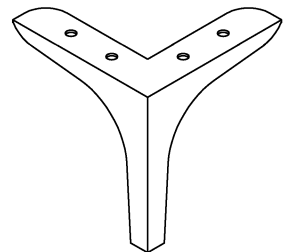
WOODEN SUPPORT LEG - 4pcs

**H**



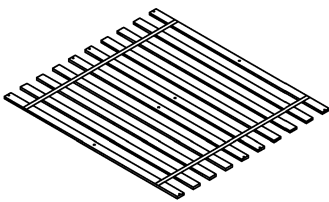
SIDE PANEL SUPPORT - 2pcs

**I**



METAL LEG - 4pcs

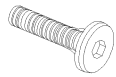
**J**



SLAT - 1SET/10pcs

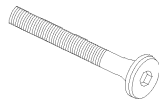
# Hardware List

1



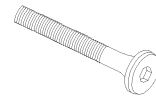
JCBB M8 x 16mm (8 pcs)

2



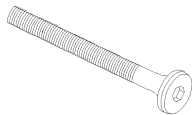
JCBC M6 x 35mm (16 pcs)

3



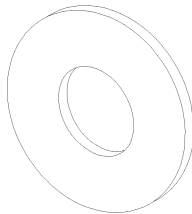
JCBC M6 x 45mm (12 pcs)

4



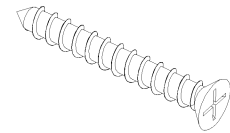
JCBC M6 x 60mm (4 pcs)

5



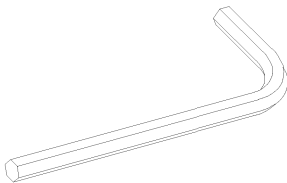
M6 Flat Washer (28 pcs)

6



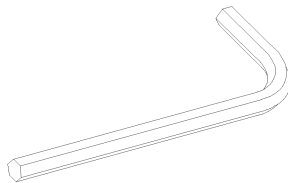
CSK SCREW M4 x 30mm (18pcs)

7



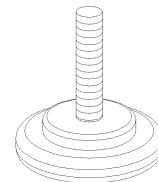
Allen Key M4 (1pcs)

8

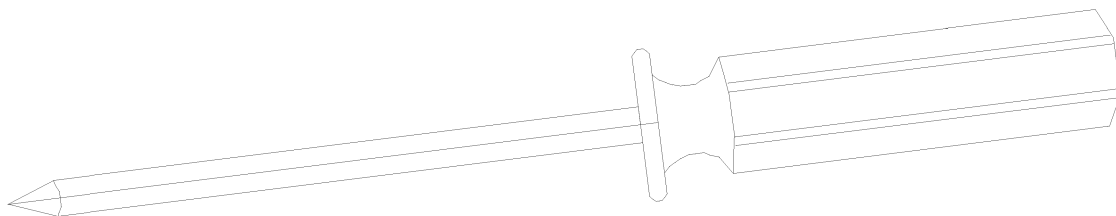


Allen Key M5 (1pcs)

9



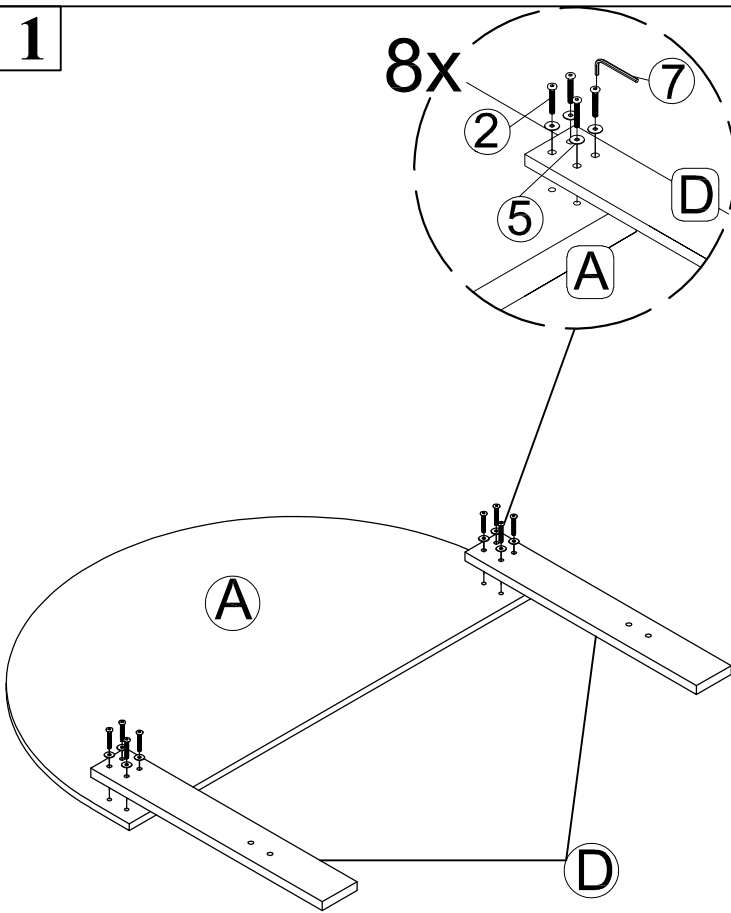
BASE GLIDE (4pcs)



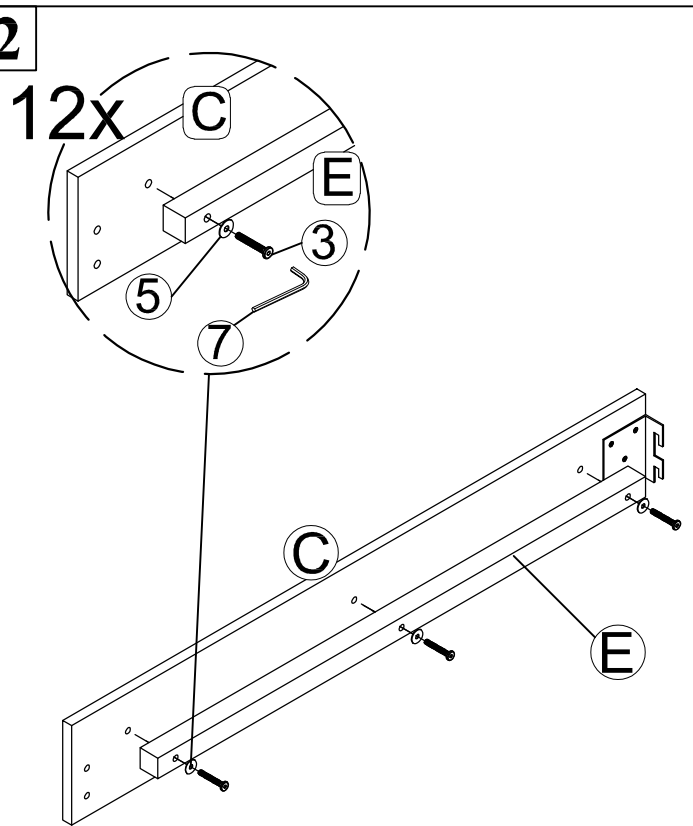
Assembly Tools  
Required (Not Included)

# Assembly Step

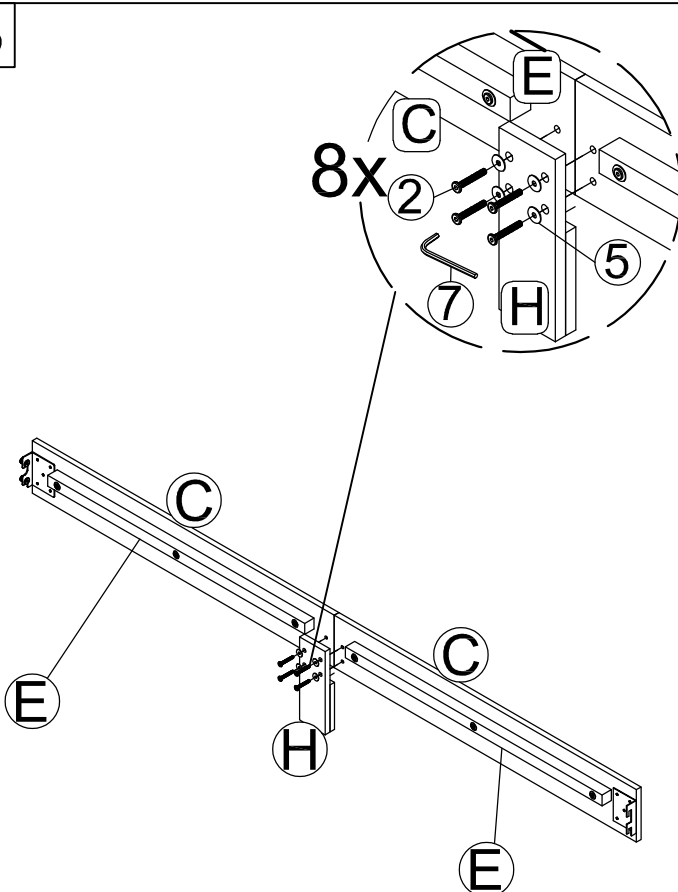
1



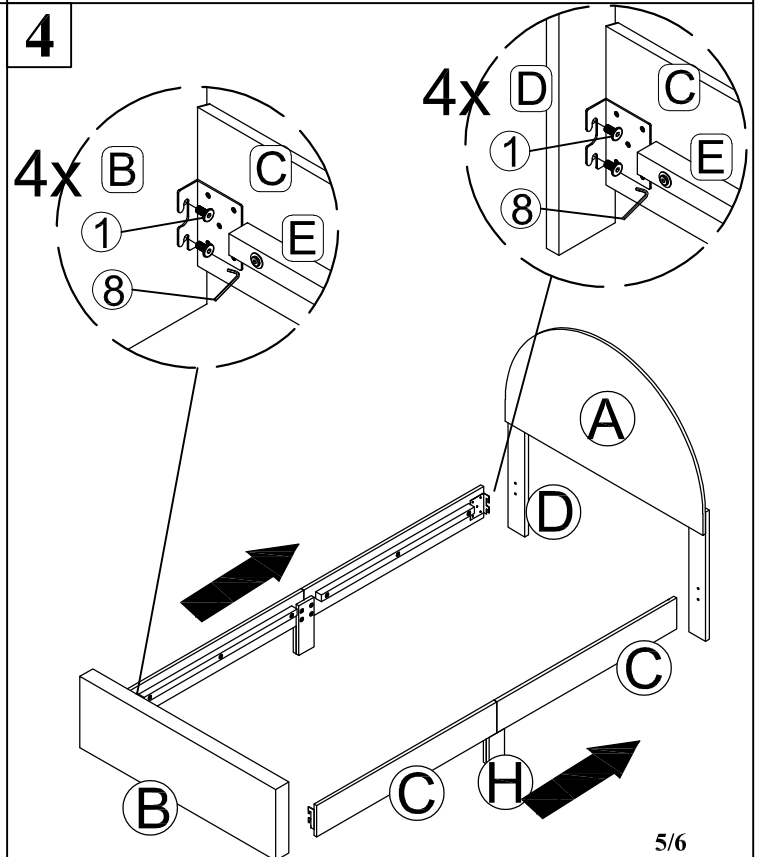
2



3

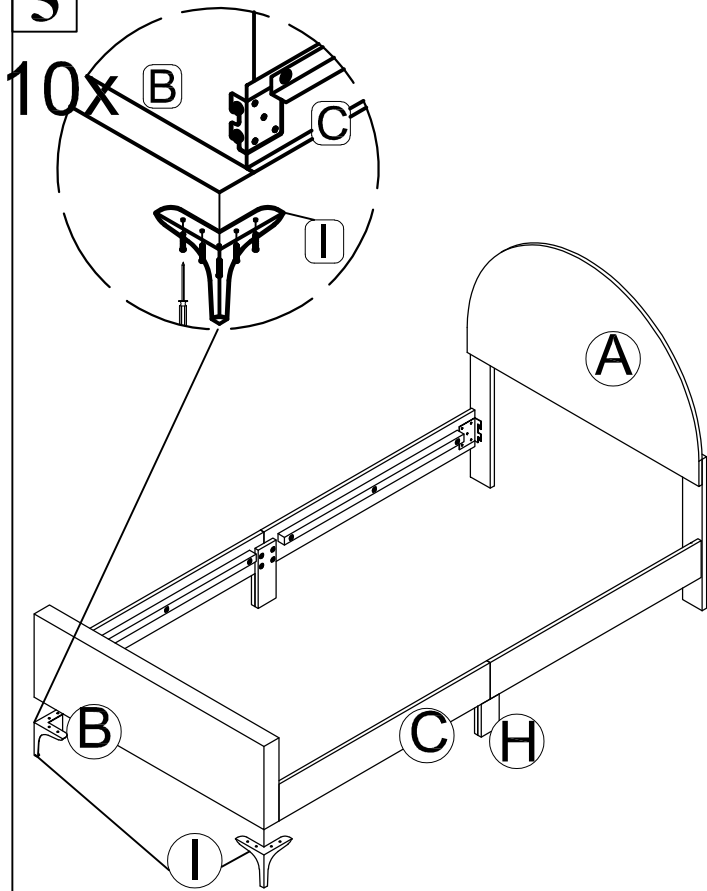


4

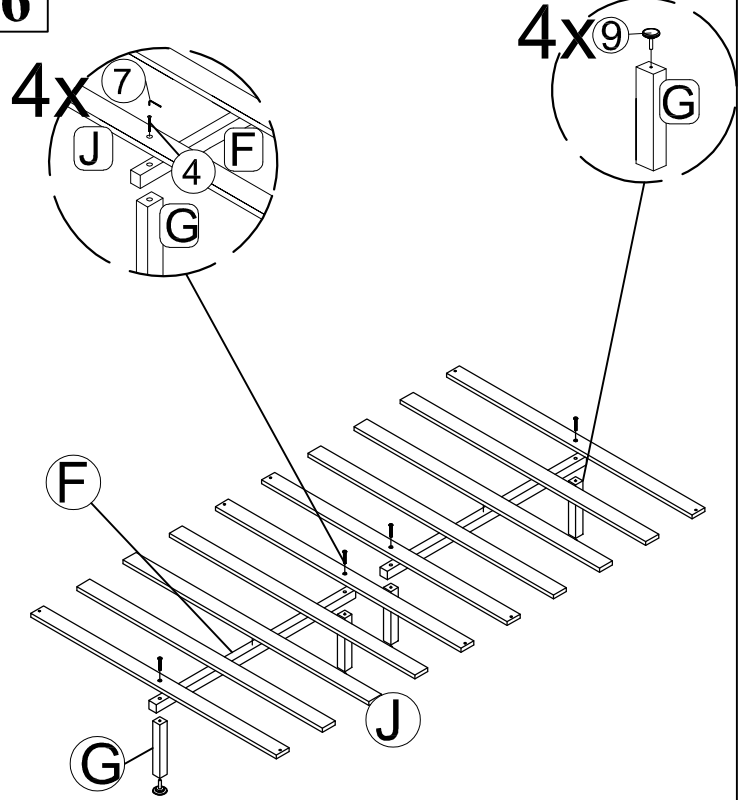


# Assembly Step

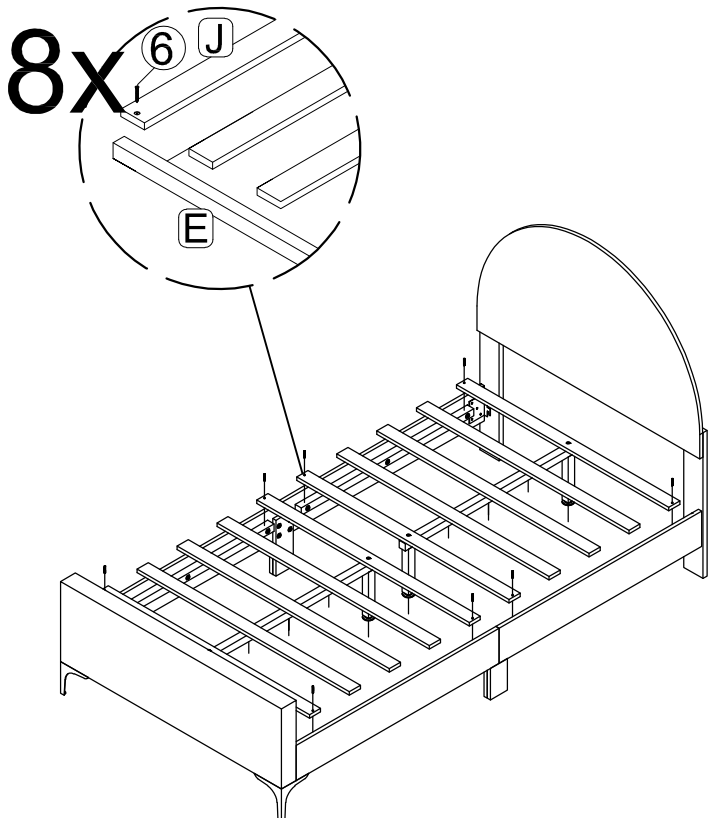
5



6



7



FULLY COMPLETED ASSEMBLY

