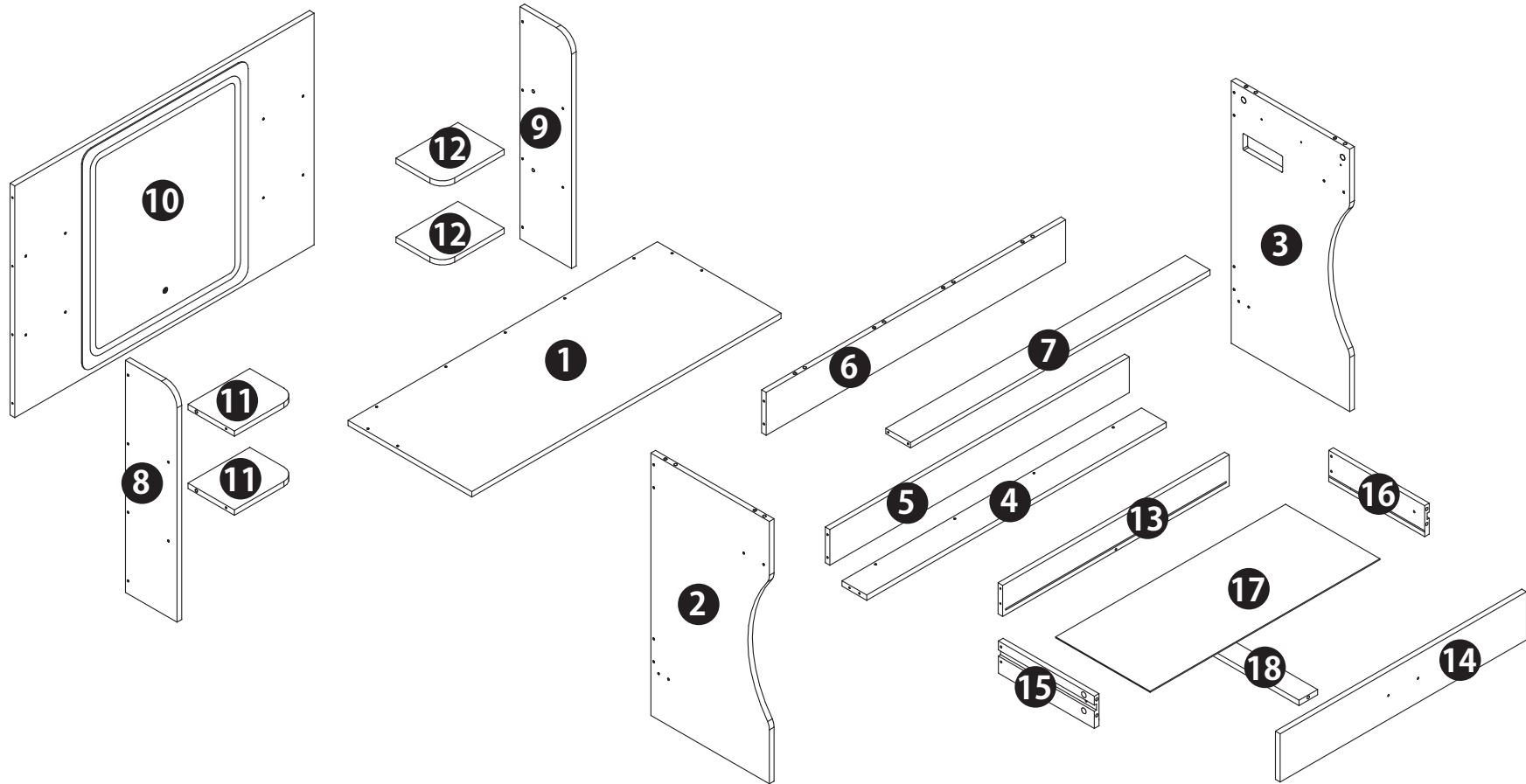
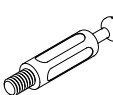
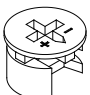


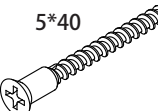
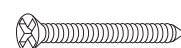
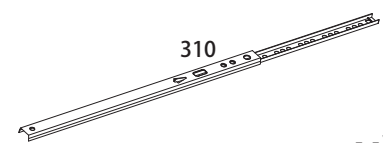
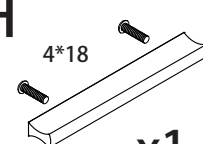

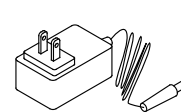
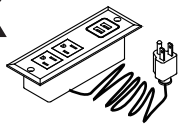



Looking at this pile of parts with no aesthetic now,
I want to know whether you are happy or melancholy at this moment!

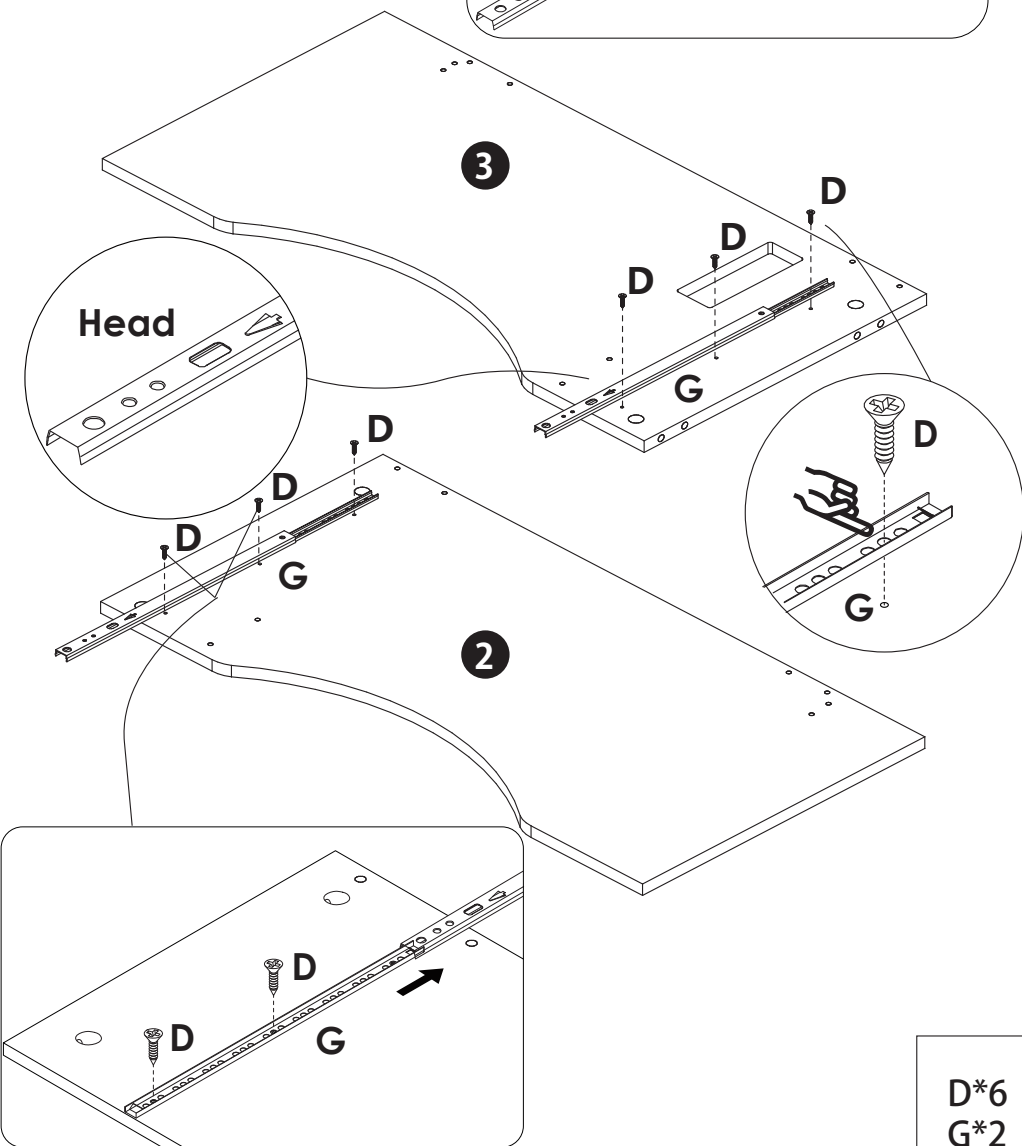
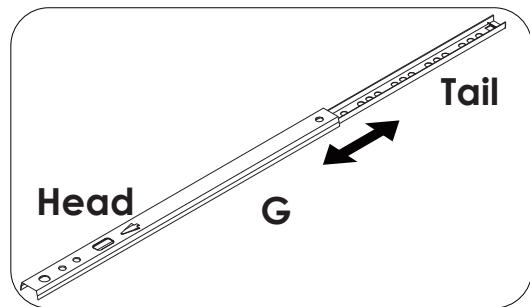
No matter that, now you are only one step away from your favorite gift.
But this step is so difficult, dear, are you mentally prepared?
We assemble it step by step together.
I believe you will be able to overcome this difficulty!

Let's take a deep breath and get started, baby!
Put them all on the ground! Just like this!



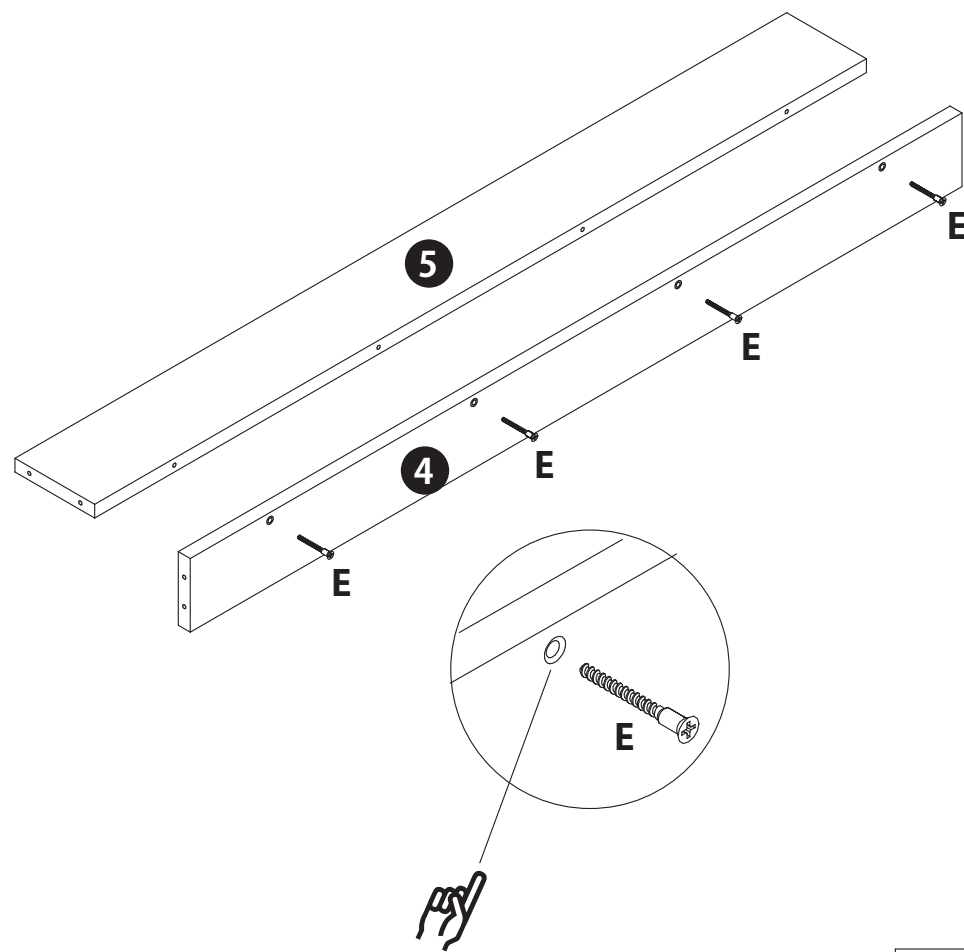
<p>A</p>  <p>x14</p>	<p>B</p>  <p>x14</p>	<p>C</p> <p>8*30</p>  <p>x14</p>	<p>D</p> <p>3.5*14</p>  <p>x10</p>	<p>E</p> <p>5*40</p>  <p>x52</p>	<p>F</p> <p>4*35</p>  <p>x5</p>	<p>G</p> <p>310</p>  <p>x2</p>
<p>H</p> <p>4*18</p>  <p>x1</p>	<p>I</p> <p>4*10</p>  <p>x2</p>	<p>J</p>  <p>x1</p>	<p>K</p>  <p>x1</p>	<p>L</p> <p>φ20</p>  <p>x40</p>		

1



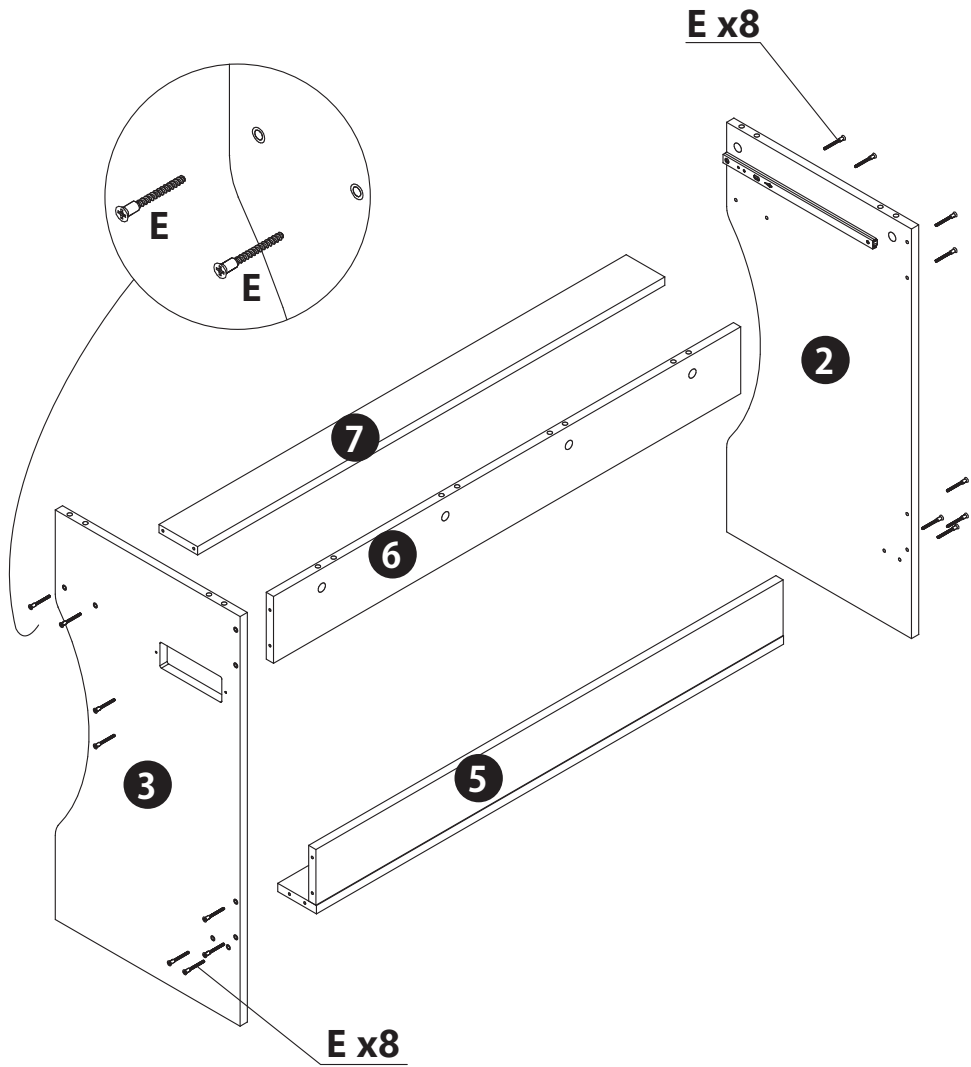
D*6
G*2

2



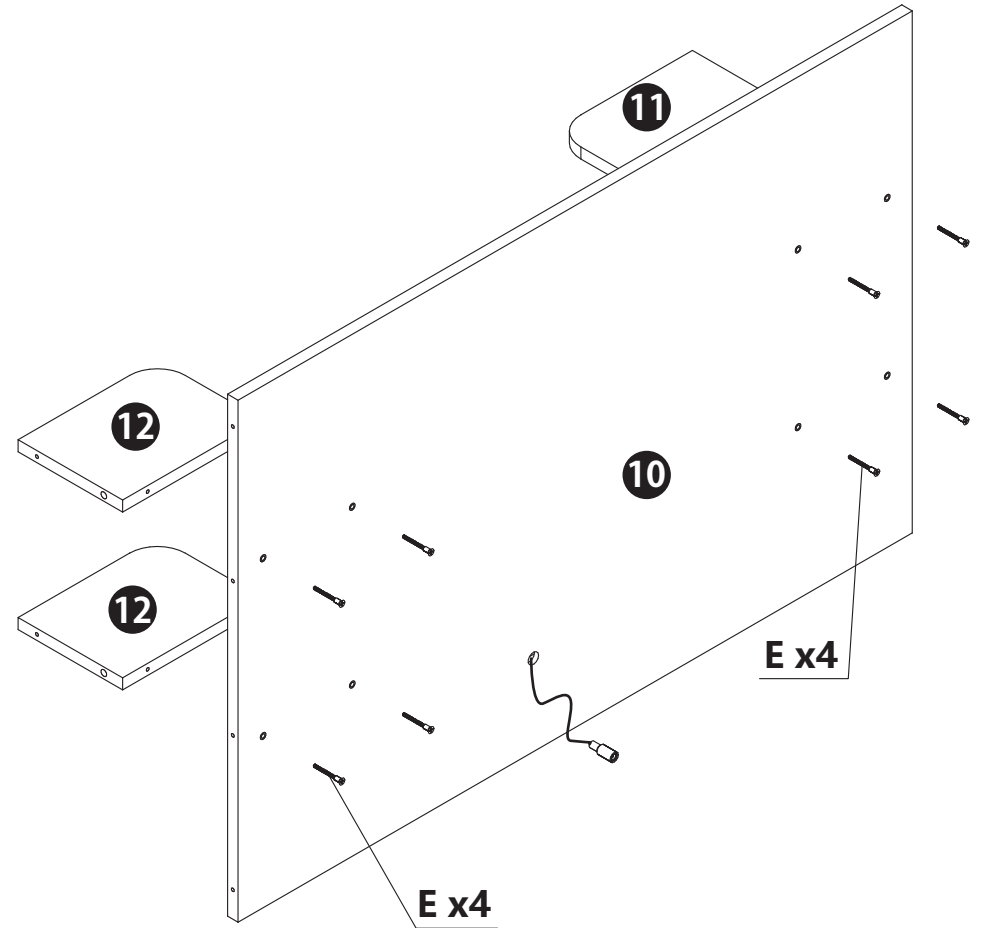
E*4

3



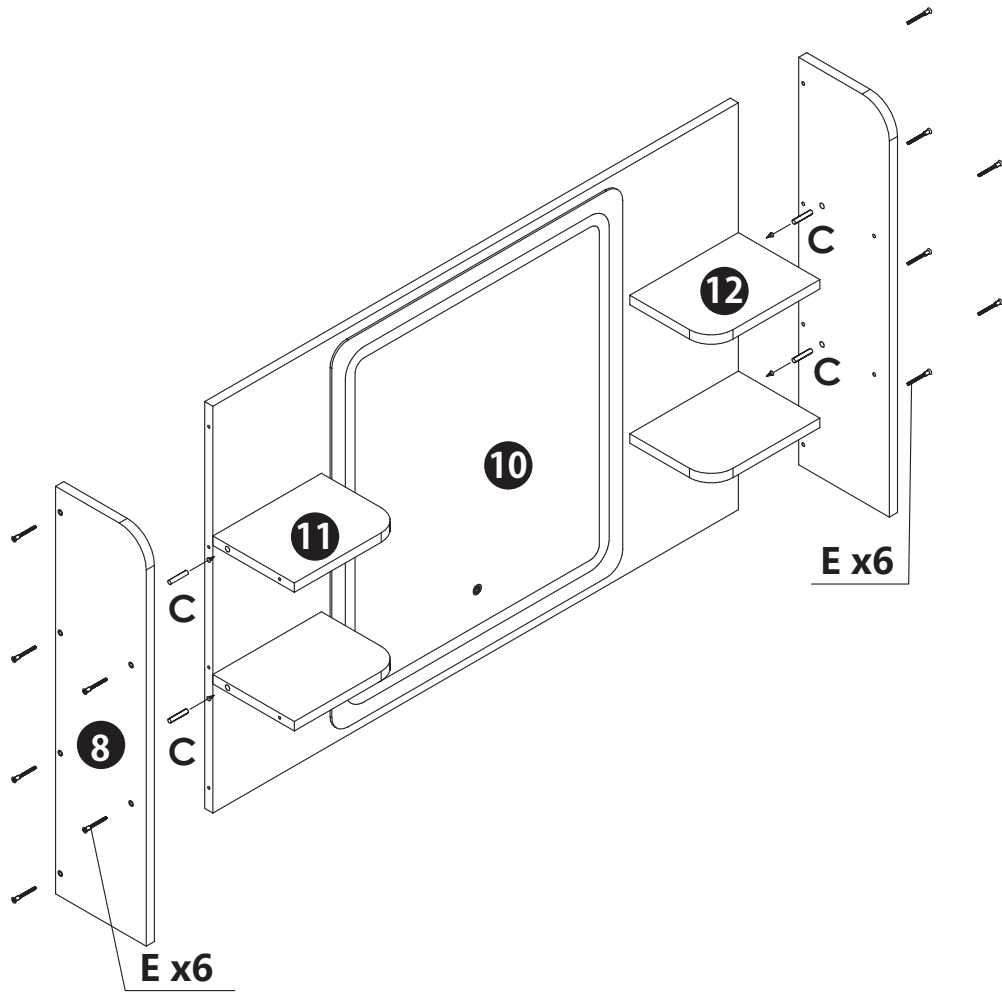
E*16

4



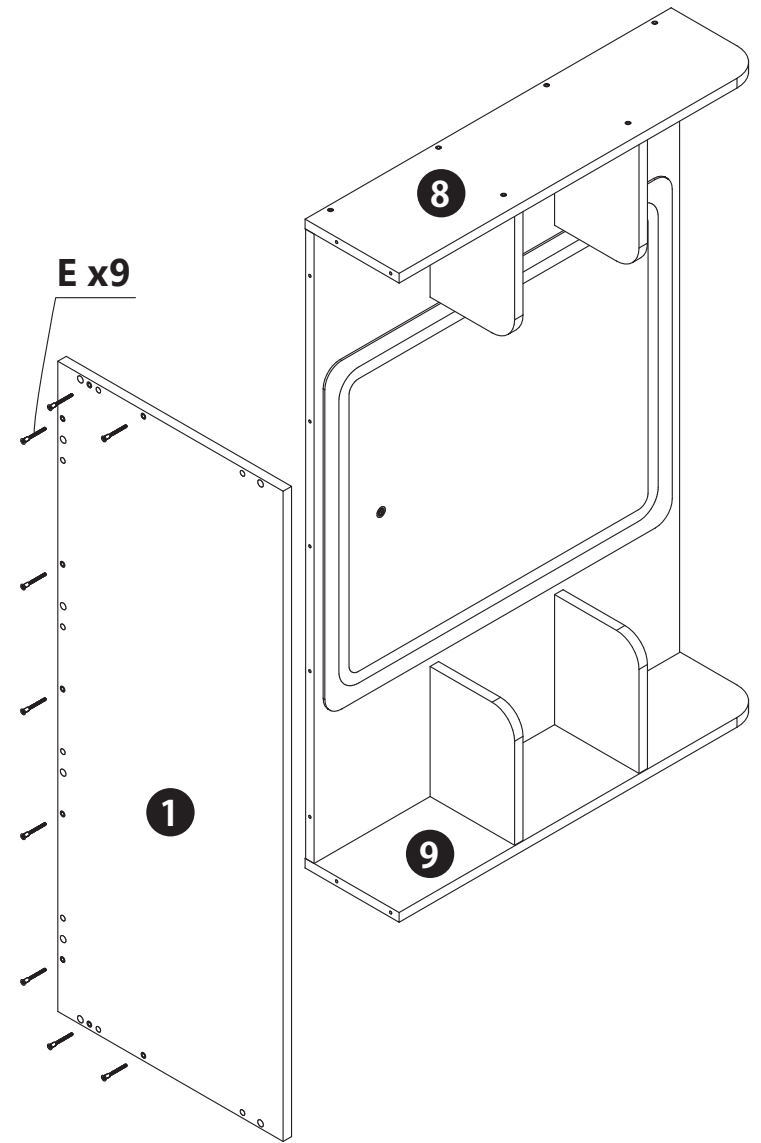
E*8

5



E*12
C*4

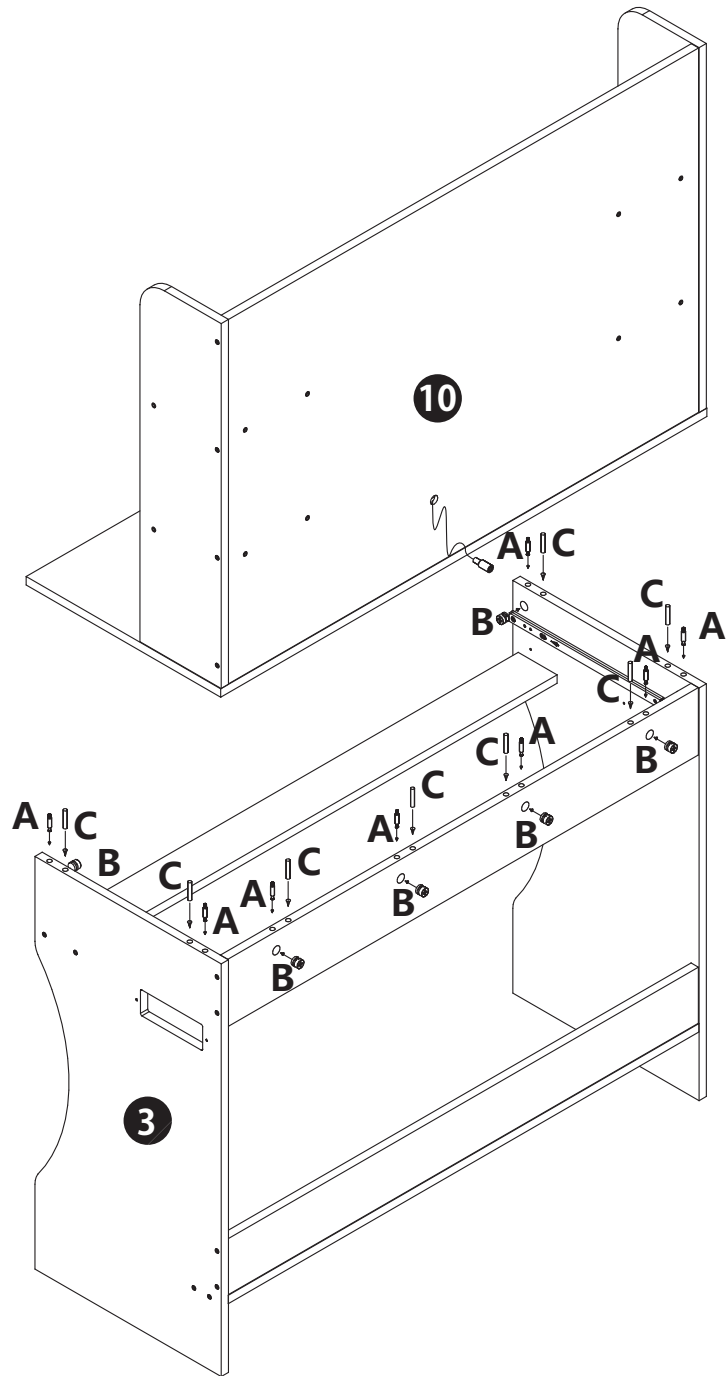
6



Honey, you are really good! here,
you are half done,
We seem to see it beautiful!

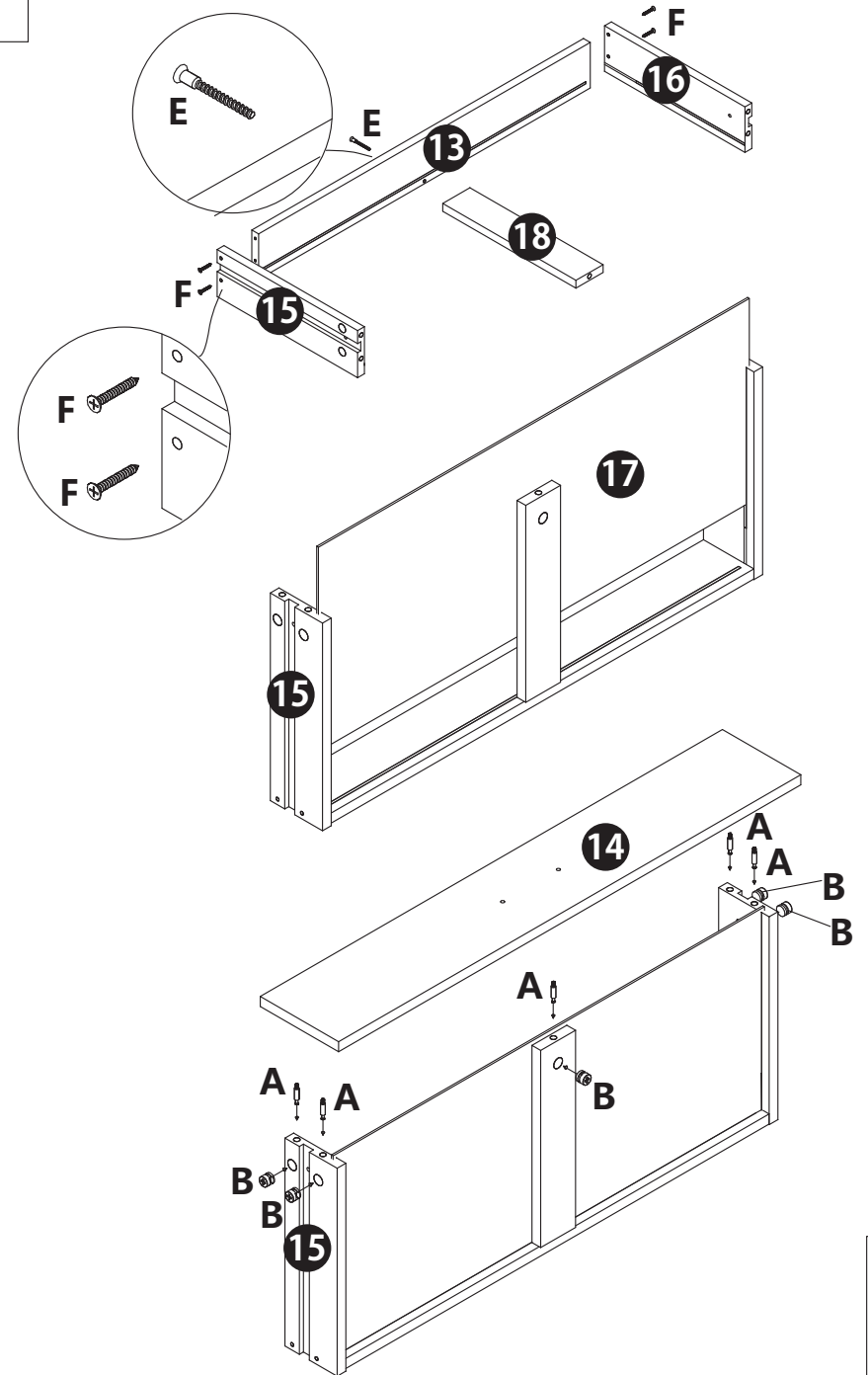
E*9

7



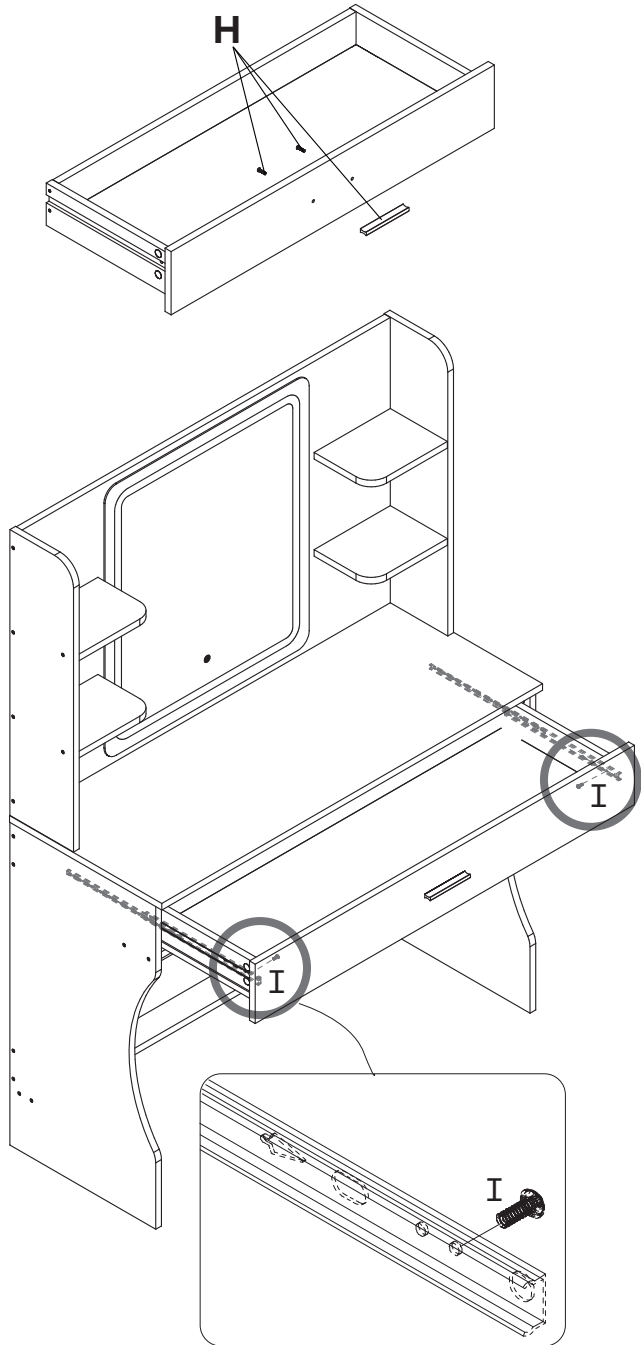
A*8
 B*8
 C*8

8



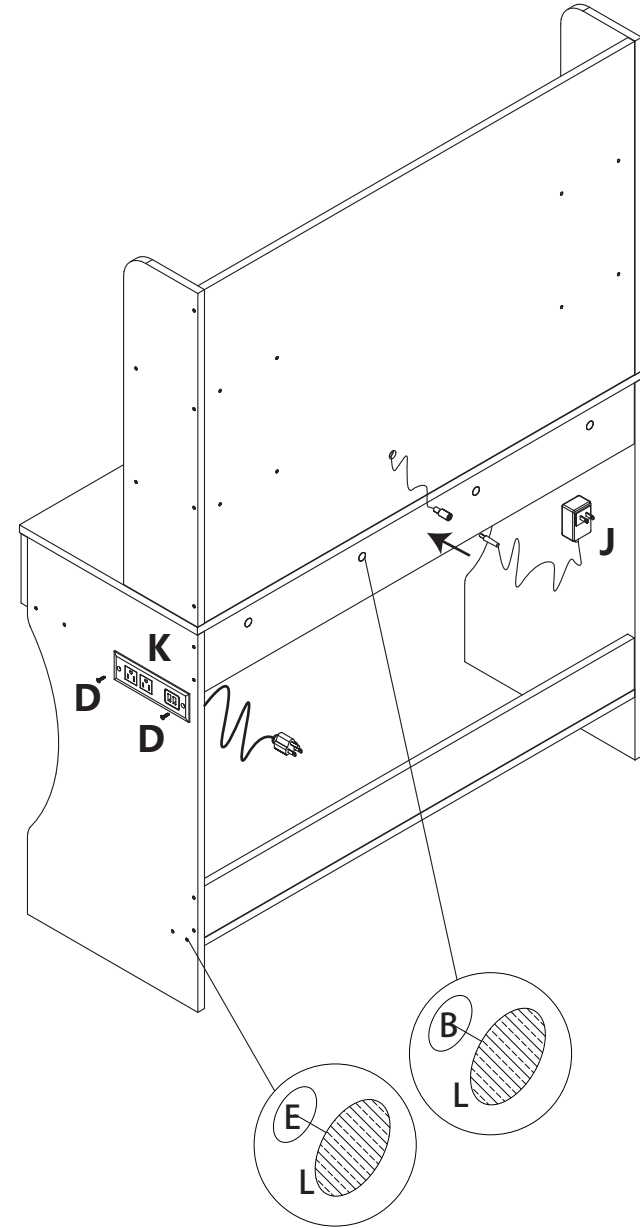
E*1
 F*4
 A*5
 B*5

9



H*1
I*2

10



D*2
K*1
J*1
L*40

Dear, give myself some applause, thanks for your efforts, you succeeded,
it will accompany you through a period of days, I hope you this period of days, happy!

Do you like it? Ask yourself, okay? You have worked so hard for it,
it will be quietly accompany with you together, wish you good health and good luck!