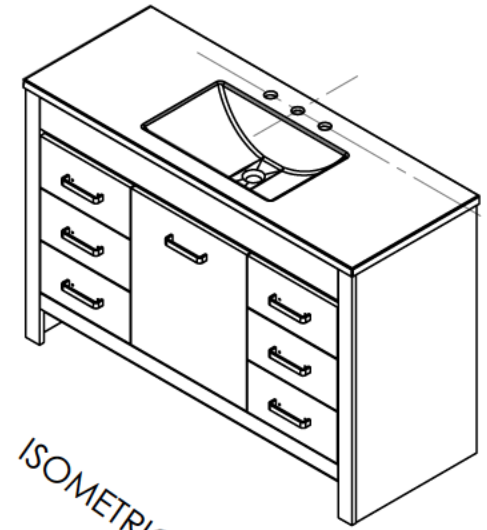
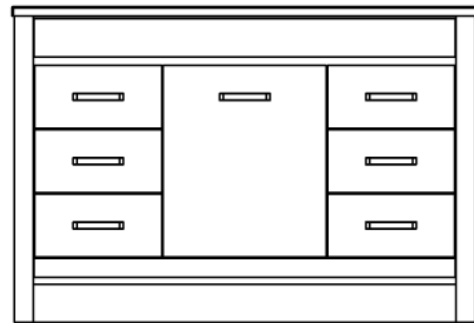


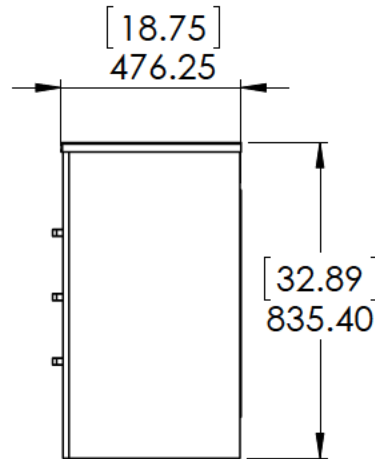
TOP VIEW



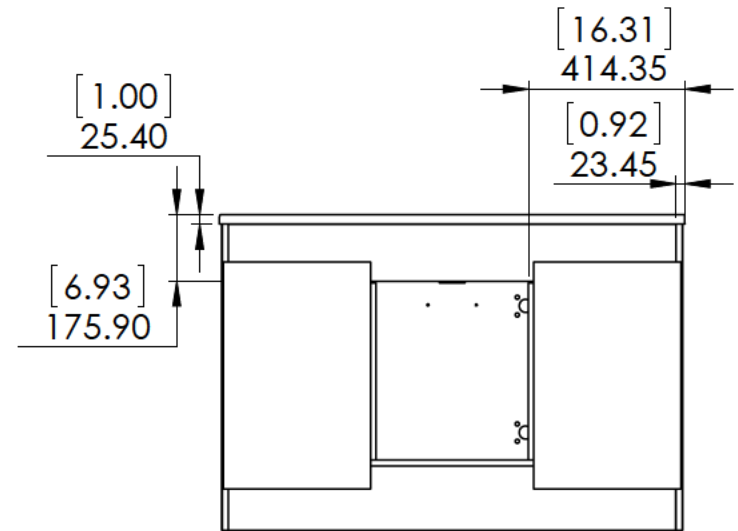
ISOMETRIC VIEW



FRONT VIEW



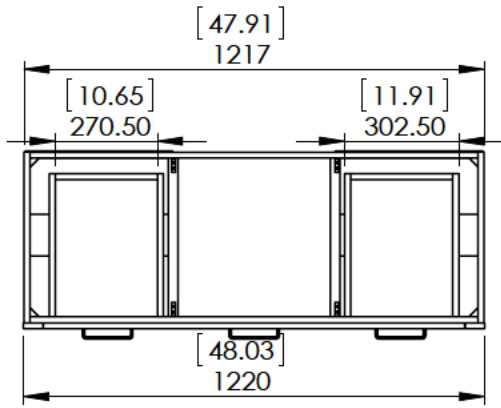
SIDE VIEW



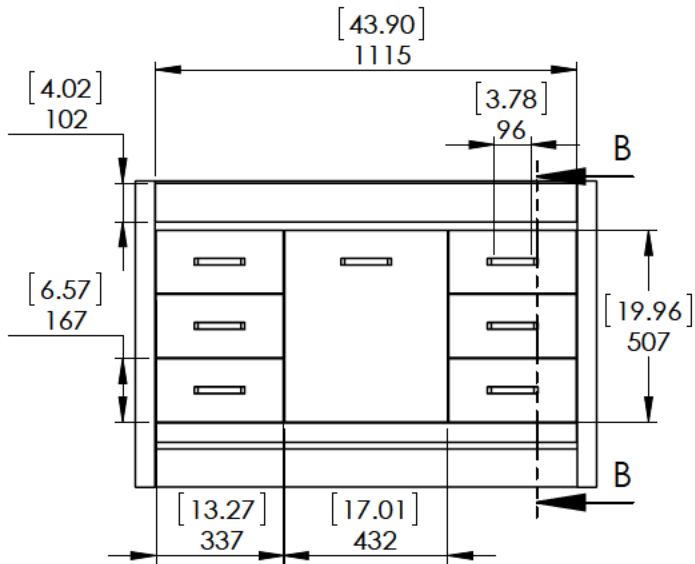
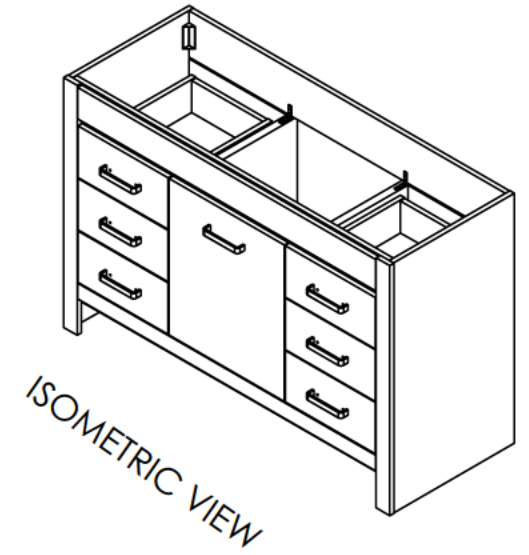
BACK VIEW

ITEM:			REV
			<b>A</b>
NAME:			
MATERIAL:			---

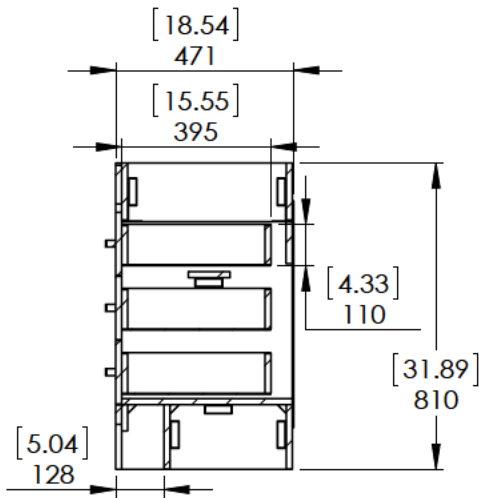
DWR	JGR	03/15/24
REV	ING	
APR	R&D	



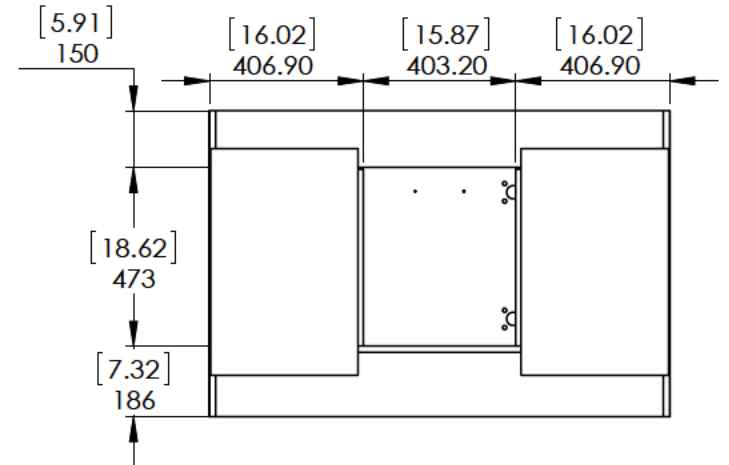
TOP VIEW



FRONT VIEW



SIDE VIEW



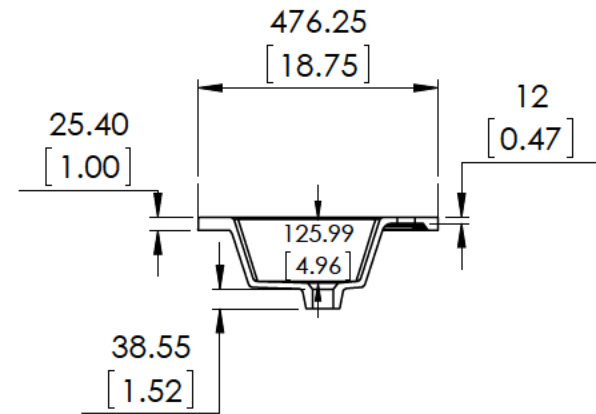
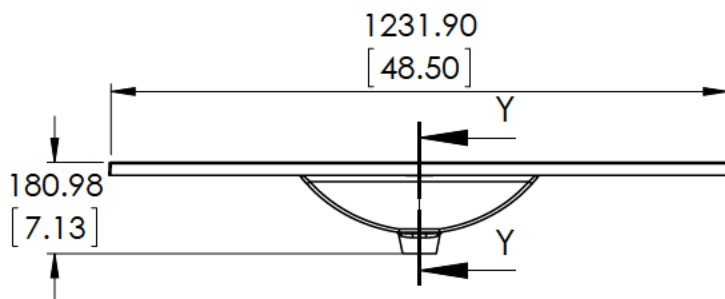
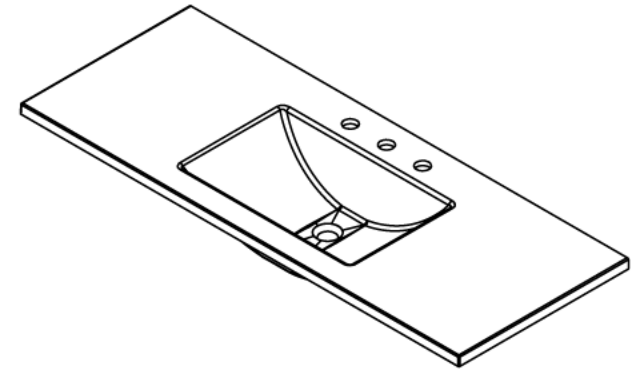
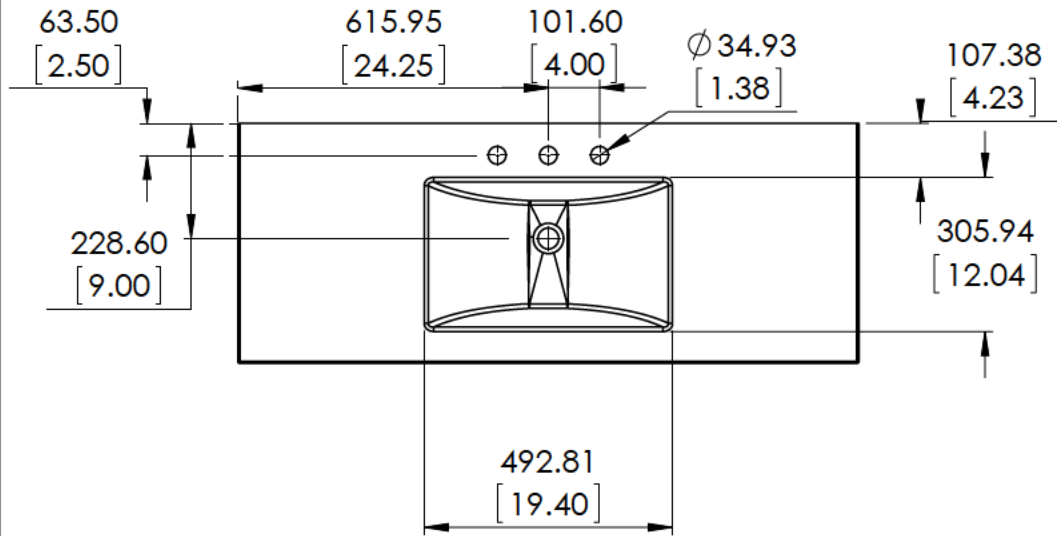
BACK VIEW

DWR	JGR	03/15/24
REV	ING	
APR	R&D	

ITEM:	REV
	<b>A</b>
NAME:	
MATERIAL:	

ITEM TYPE	ITEM ID	ITEM DESCRIPTION	DRAWING STATUS
FG		Top, Alpine 48.50x18.75in White 8in	R&D

REV	DESCRIPTION	DATE	APPROVAL
0	RELEASED	05/09/23	E. SANDOVAL



		UNLESS OTHERWISE SPECIFIED			
		DIMENSIONS ARE IN MM. AND [INCHES]		NAME	DATE
		TOLERANCES ARE +3.175 [-.125] -3.175 [0.125]		DRAWN	G. REYES 4/11/23
		SCALE:1:10		CHECKED	O. RAZO 4/11/23
				ENG APPR.	J. GUZMAN 4/11/23
				MFG APPR.	V. SANCHEZ 4/11/23
				SIZE	DWG. NO.
				A	FG
					SHEET 1 OF 1