

Assembly manual

Loft Bed with Storage



Thank you for your purchase.

If you have difficulty with assembly or find a part is missing or damaged,
please don't hesitate to contact us for solution.

Please attach your Order ID so we can assist you better.

Introduction

●Guide of Manual

Please read the following instruction carefully and use the product properly.

Please keep this manual and hand it over when you transfer the product.

This summary may not include every detailed information of all variations and considered steps. Please contact us when further information and help needed.

●Before Starting

Recommend no. of people needed for assembly:4-5

Read each section carefully before starting. It is very important that each step is performed in the correct order. If these steps are not followed in sequence, assembly difficulties will occur.

Make sure all parts are included. Most board parts are labeled or stamped on the raw edge.

Please assemble the product according to the steps on the diagram strictly. Do not fully tighten the screws until all pieces are situated in place.

For continued use, it's suggested you regularly check the tightness of bolts and connections to ensure safety.

Work in spacious area, preferably on a carpet, near the place the unit will be

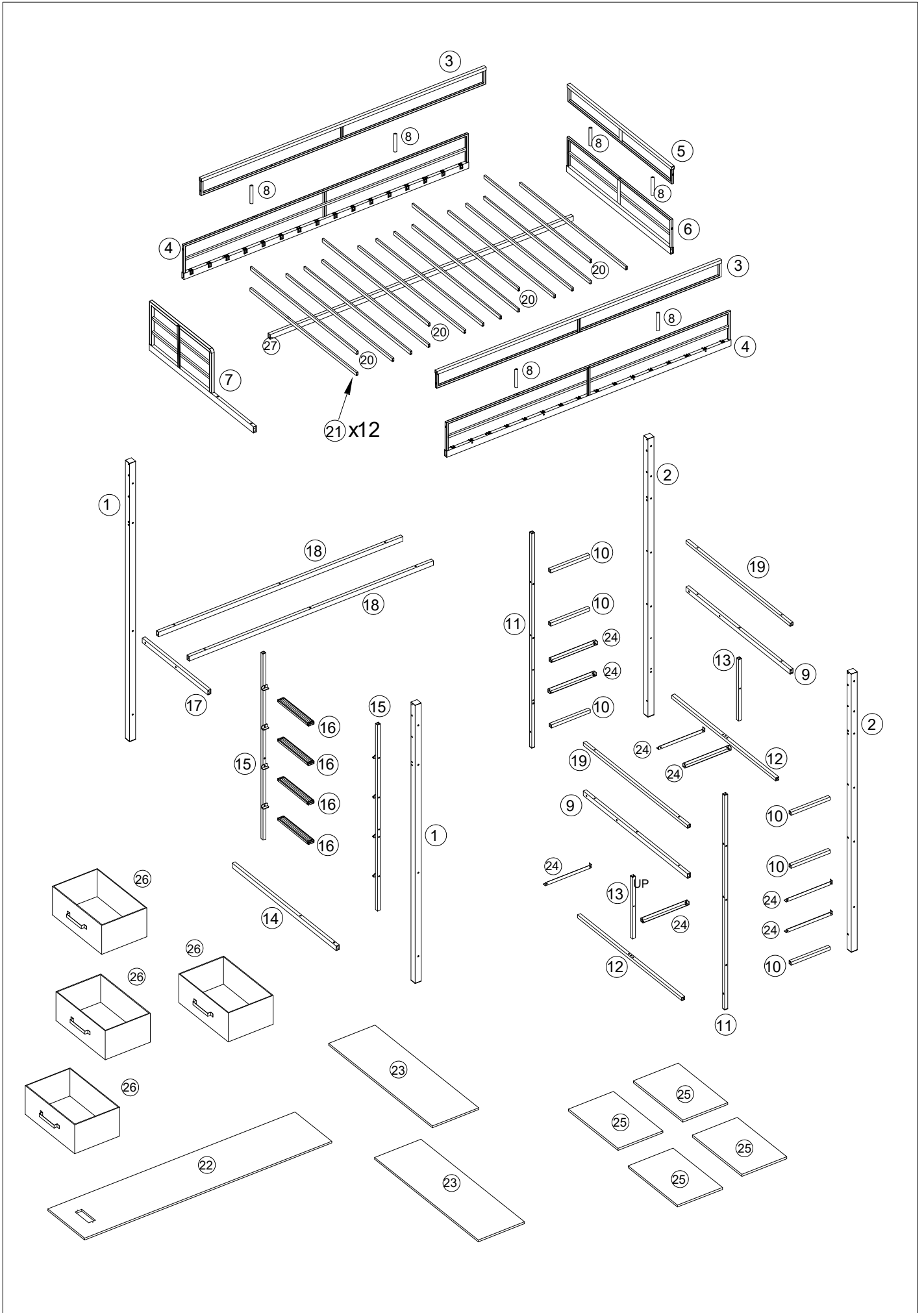
●Warning

Keep all accessories and packaging of this product away from babies, children and pets as they potentially






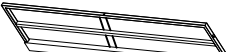
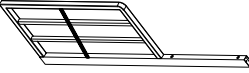


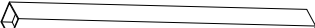

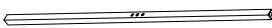
The units contains small parts which could be a choking hazard for small children. Children should be under adult supervision at all times or serious injury could occur.

Do not put the product in a humid environment for a long time to prevent mildew.

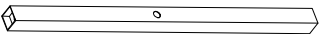






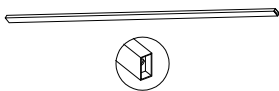

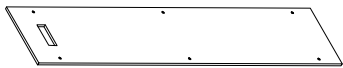

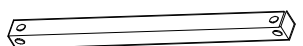
Keep the product away from sharp objects and corrosive chemicals to avoid damage.



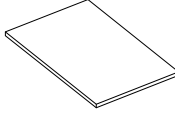
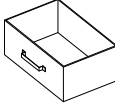
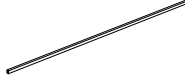
COMPONENTS

NO.	DESCRIPTION		DIMENSION	QTY
1	Left Leg Post		1830*40*40	2pcs
2	Right Leg Post		1830*40*40	2pcs
3	Upper Long Guardrail A		1900*113*20	2pcs
4	Bottom Long Guardrail B		1900*226*22	2pcs
5	Upper Short Guardrail A		1370*113*20	1pc
6	Bottom Short Guardrail B		1370*226*20	1pc
7	Entrance Guardrail C		1370*323*20	1pc
8	Short Guardrail Connecting Tube		80*40*20	6pcs
9	Dresser Middle Layer Base Bar		1370*30*20	2pcs
10	Dresser Shelves Side Support Bar		260*20*20	6pcs
11	Dresser Leg Post		1411*20*20	2pcs
12	Dresser Base Support Bar		1370*20*20	2pcs

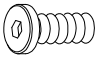
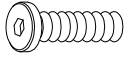
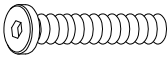
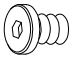
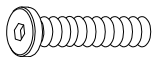

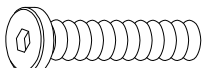
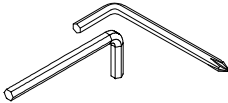
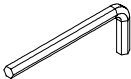
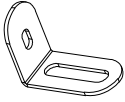
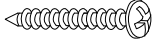
COMPONENTS

NO.	DESCRIPTION		DIMENSION	QTY
13	Dresser Middle Support Post		405*20*20	2pcs
14	Ladder Base Connecting Bar		1370*30*20	1pc
15	Ladder Leg Post		1226*38*37	2pcs
16	Pedal		294*30*15	4pcs
17	Ladder Middle Connecting Bar		1005*30*20	2pcs
18	Long Desk Top Support Bar		1630*30*20	2pcs
19	Top Side Shelf Support Bar		1370*20*20	2pcs
20	Slat with Nuts		1392*20*10	4pcs
21	Slat		1392*20*10	12pcs
22	Long Desk Top		1648*350*12	1pc
23	Shelf Panel		1368*310*12	2pcs
24	Drawer Side Support Bar		308*20*20	8pcs



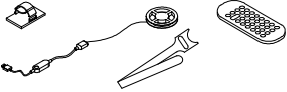

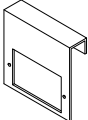
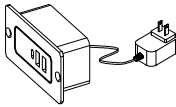
COMPONENTS

NO.	DESCRIPTION		DIMENSION	QTY
25	Drawer Base Panel		649*289*5	4pcs
26	Fabric Drawer		650*290*190	4pcs
27	Bed board support rod		1920*20*20	1pcs



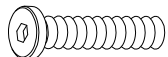
COMPONENTS

NO.	DESCRIPTION		DIMENSION	QTY
A	Screws		M6*28	28pcs+2
B	Screws		Ø4*10	2pcs+1
C	Screws		M6*38	47pcs+2
D	Screws		M6*60	21pcs+2
E	Screws		M6*10	16pcs+1
F	Screws		M6*50	13pcs+1
G	Screws		M8*50	4pcs+1
H	Screws		M8*60	14pcs+1
I	Allen Key		M6	1pc+1
J	Allen Key		M8	2pcs
K	Wall Mount Bracket			2pcs
L	Screws		M4*35	2pcs

COMPONENTS

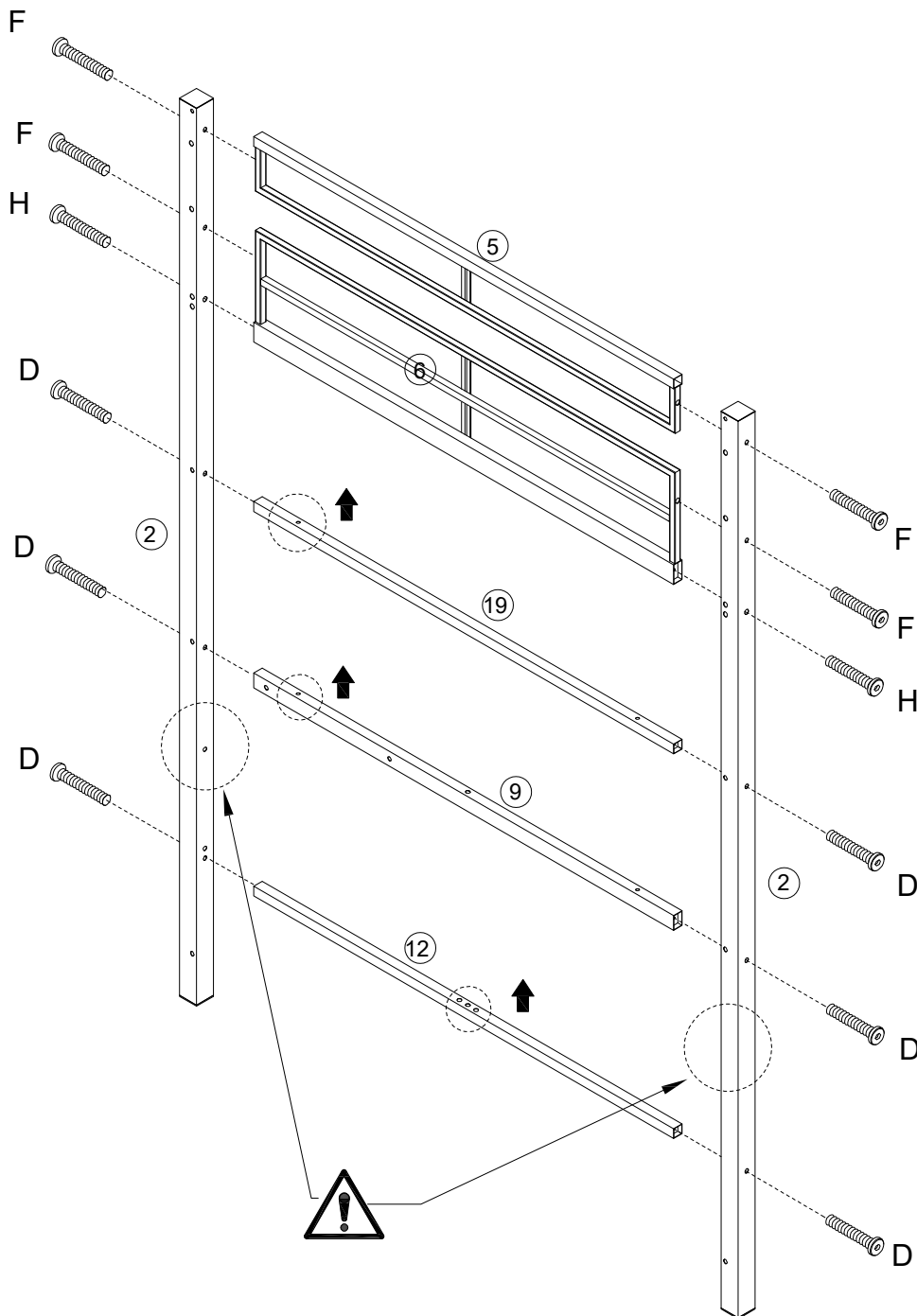
NO.	DESCRIPTION	DIMENSION	QTY
M	Plastic Expand Tube		2pcs
N	Screws		Ø3.5*12 2pcs+1
O	LED Light Strip		1pc
P	Socket for Top Bunk		1pc
Q	Socket Fixer		1pc
R	Socket for Top Bunk		1pc

STEP 1

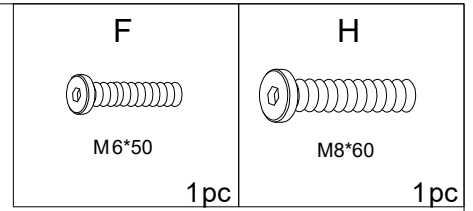
D	F	H
		
M6*60	M6*50	M8*60
6pcs	4pcs	2pcs

Attach Short Guardrail A&B (5,6), Top Side Shelf Support Bar(19),Dresser Middle Layer Base Bar(9),Dresser Base Support Bar(12) to Right Leg Post(2) with screw (F,H & D)

Notice: 1. Attention to the hole direction on each parts as figure shows
2.Do not fully tight until the last step

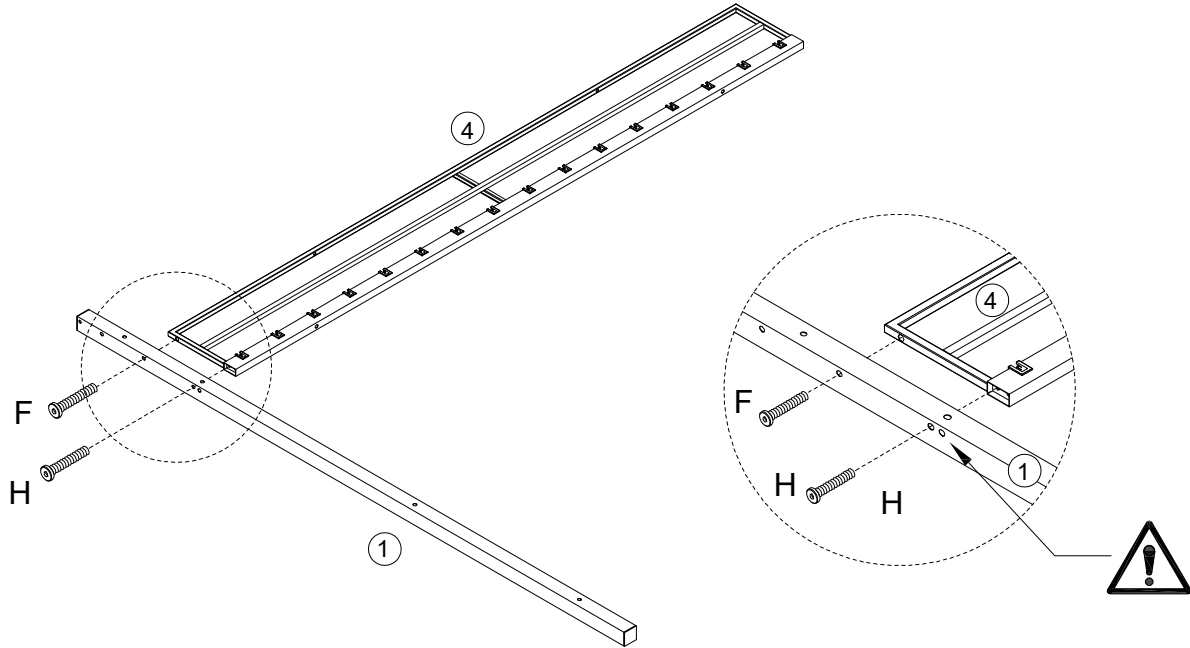


Step 2

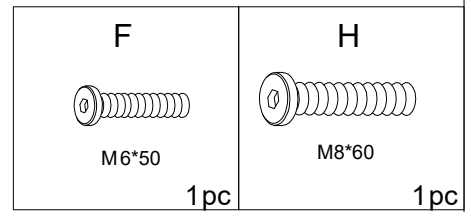


Attach Bottom Long Guardrail B (4) to Left Leg Post(1) with screw (F,H)

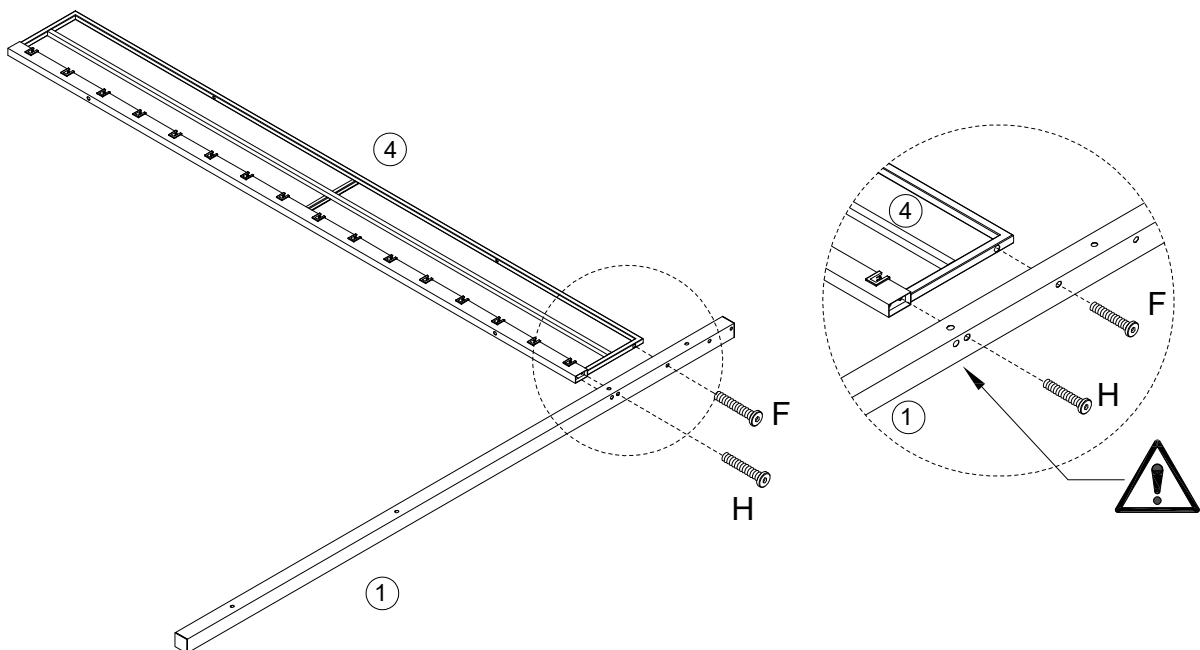
Notice: Attention to the hole direction on each parts as figure shows



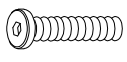
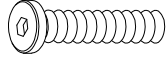
Step 3



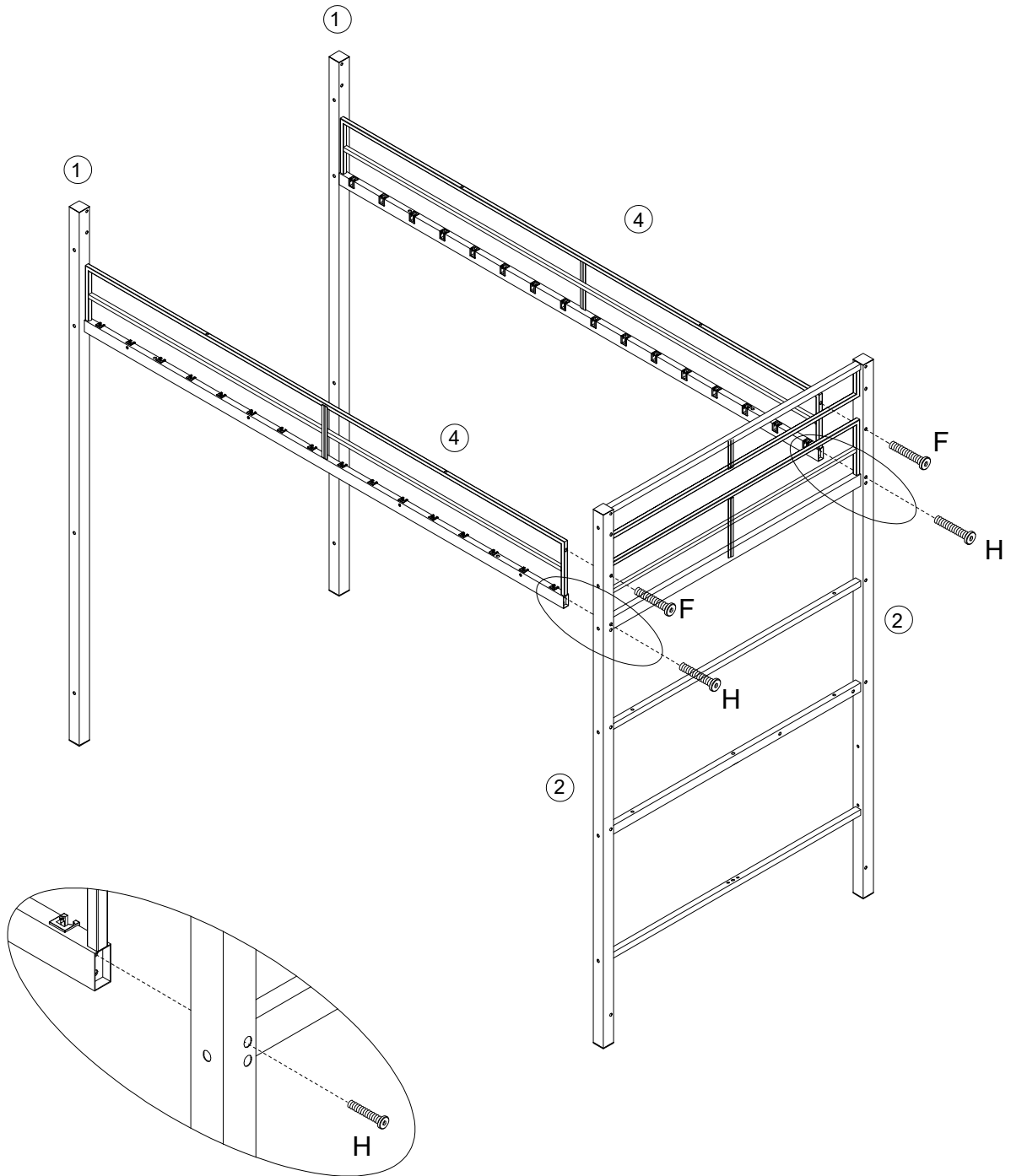
Same way to assemble the other Left Leg Post(1) with Bottom Long Guardrail B (4)



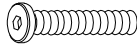
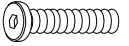
Step 4

F  M6*50 2pcs	H  M8*60 2pcs
---	---

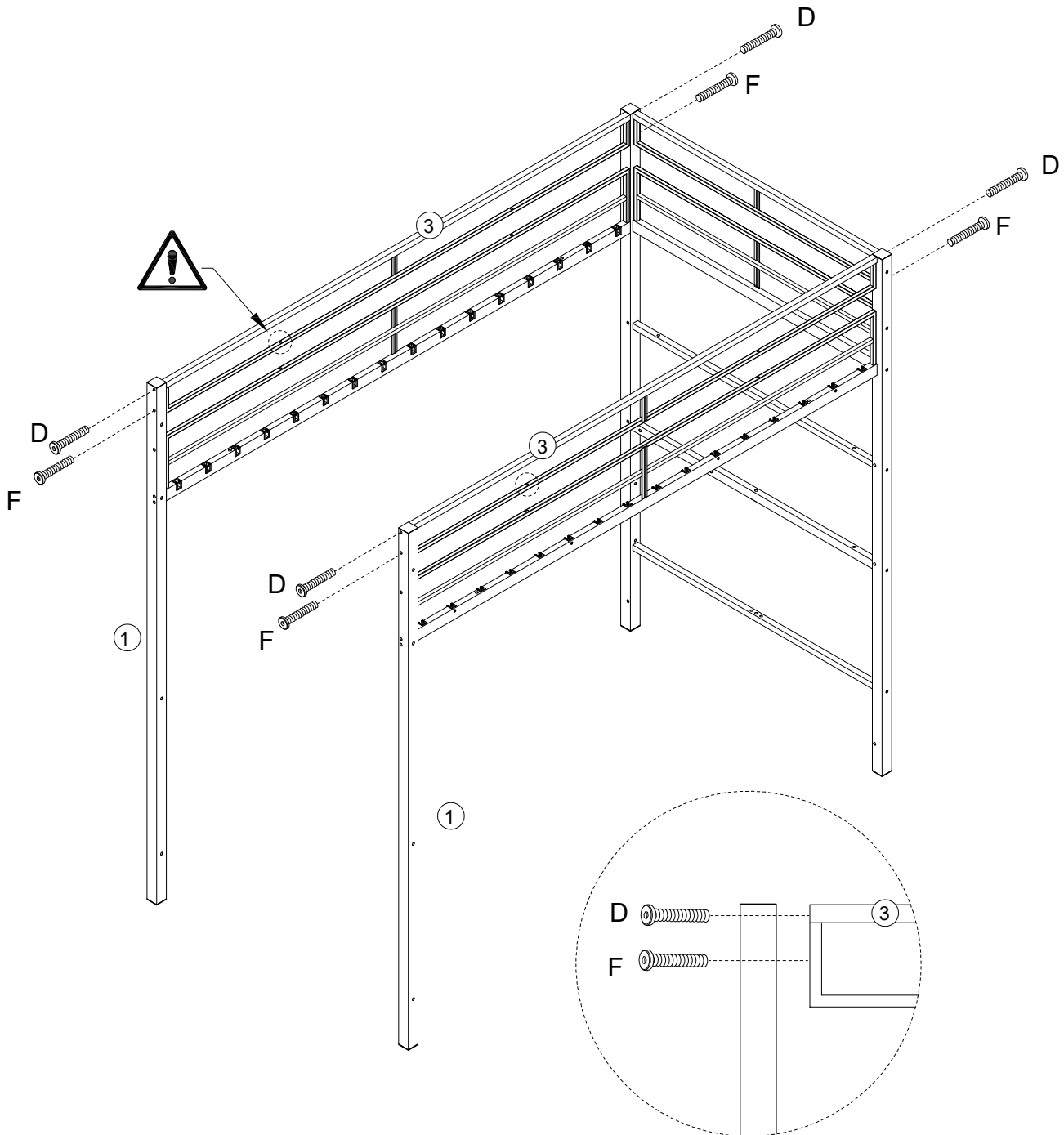
Attach two assembled bottom long guardrail to the assembled headboard with Screw (H & F)



Step 5

D  M6*60 4pcs	F  M6*50 4pcs
---	---

Attach top long guardrail (3) to the assembled frame with Screw (D & F)
Notice: Attention to the hole direction on each parts as figure shows



Step 6

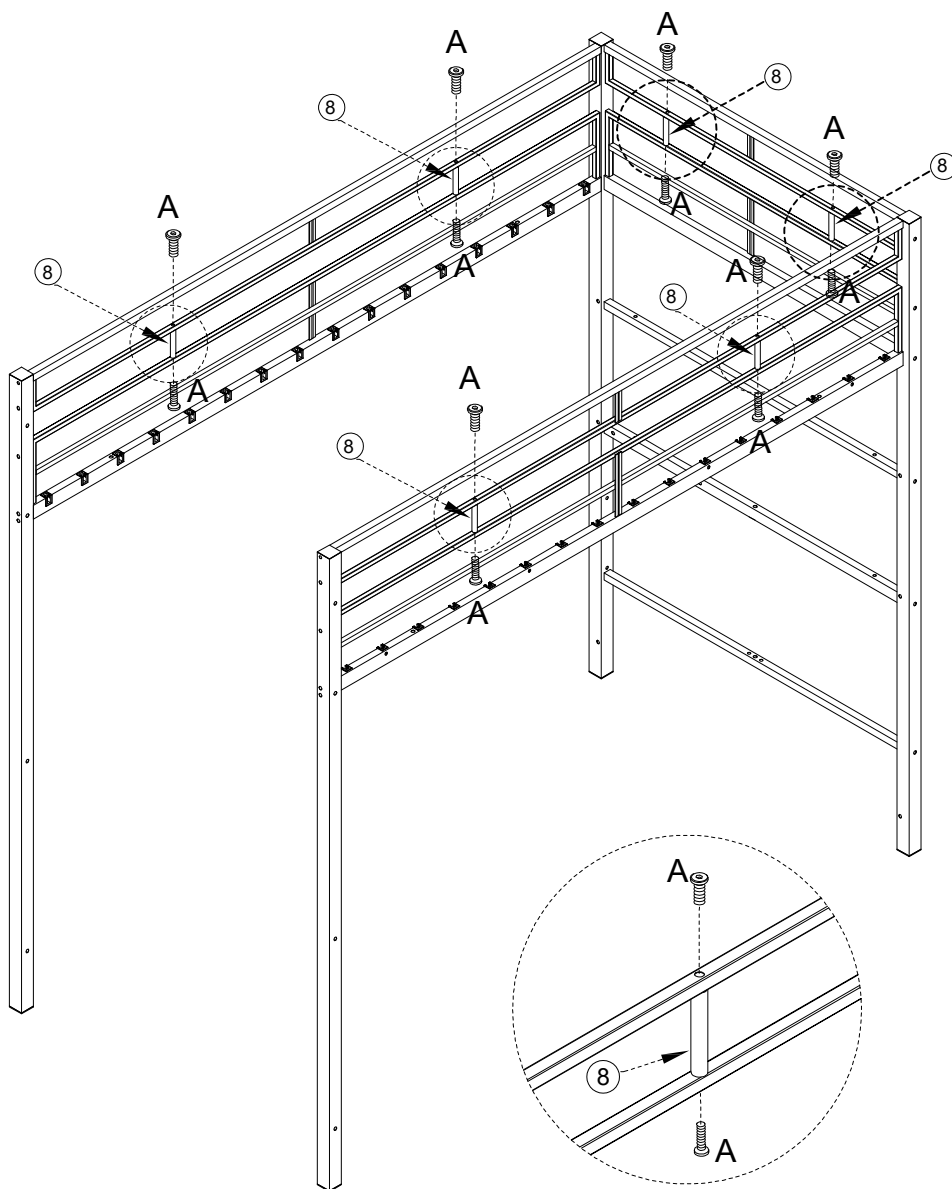
A



M6*28

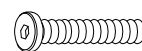
12 pcs

Attach Short Guardrail Connecting Tube (8) to connect top rail with bottom rail via Screw (A)



Step 7

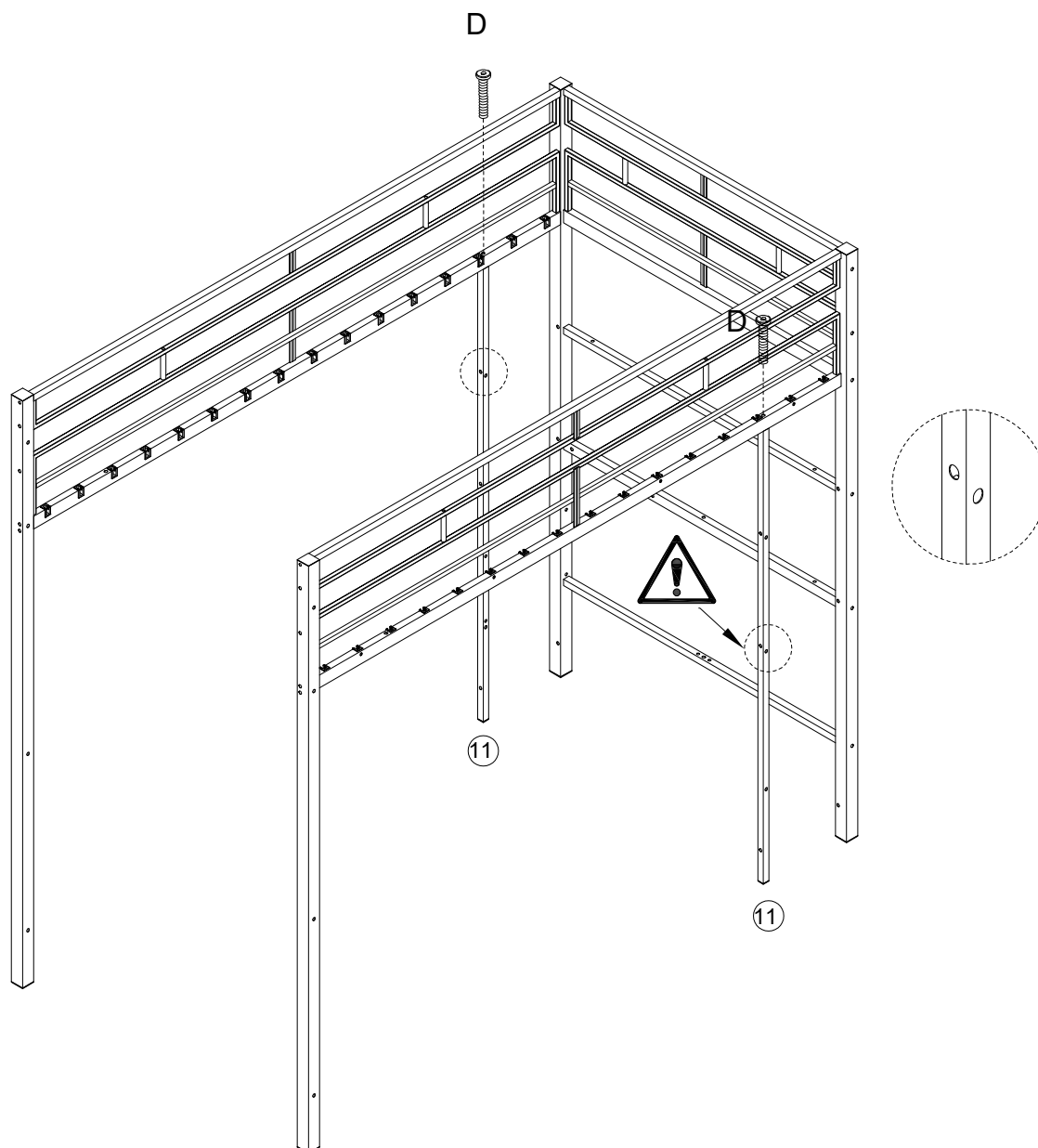
D



M6*60

2pcs

Attach Dresser Leg Post (11) to the assembled frame with Screw (D)
Notice: Attention to the hole direction on each parts as figure shows



Step 8

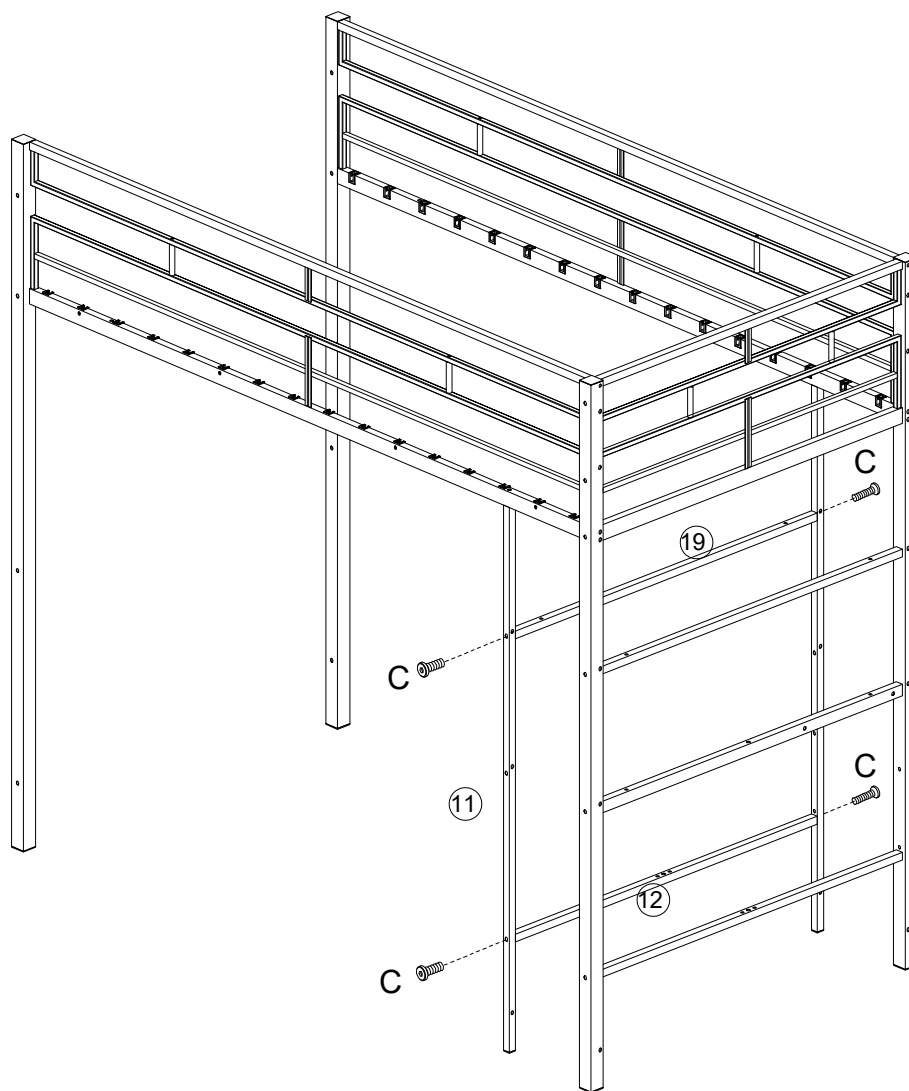
C




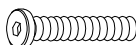
M6*38

4pcs

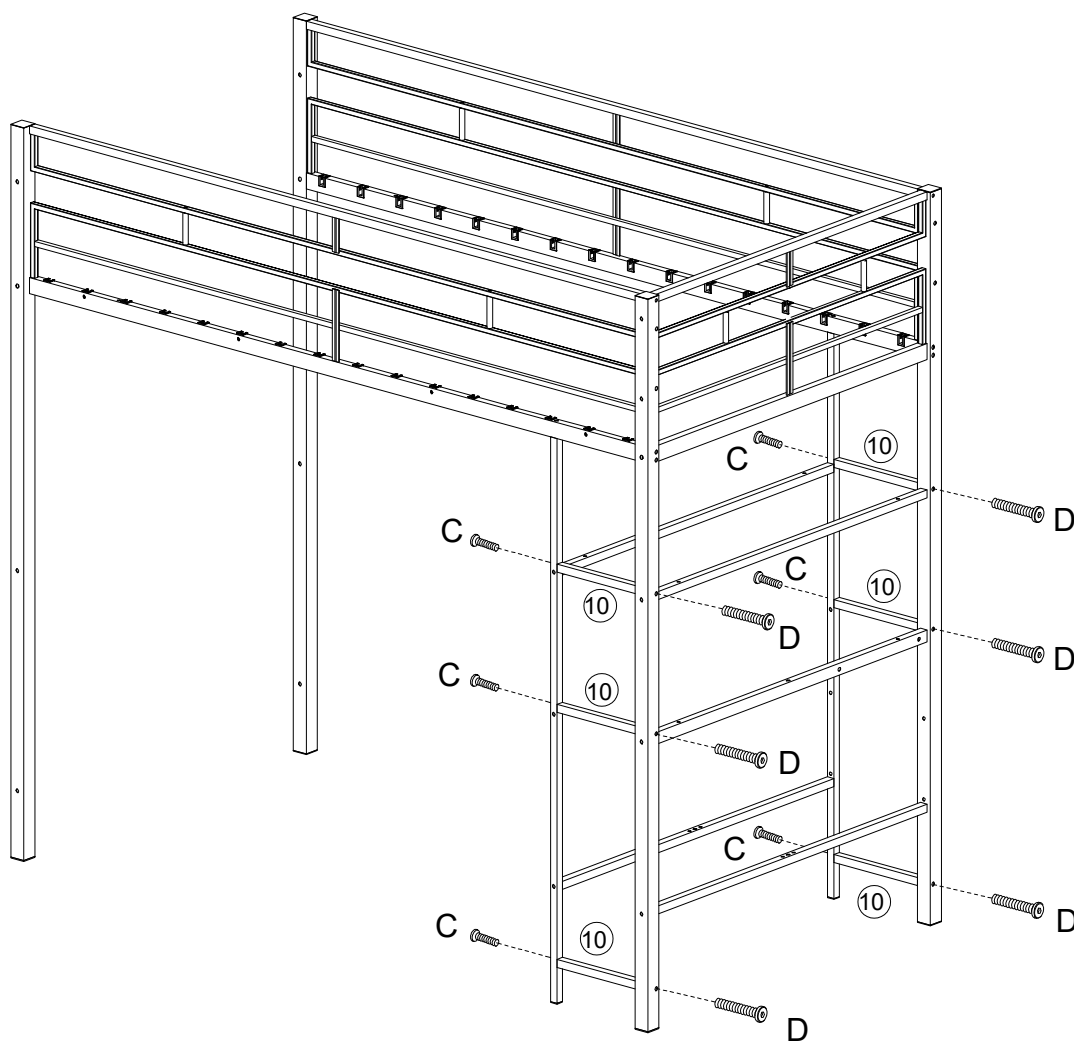
Attach Top Side Shelf Support Bar (19) and Dresser Base Support Bar(12) to theDresser Leg Post (11) with Screw(C)



Step 9

C  M6*38 6pcs	D  M6*60 6pcs
--	--

Attach Dresser Shelves Side Support Bar (10) to the assembled frame with Screw (C,D)



Step 10

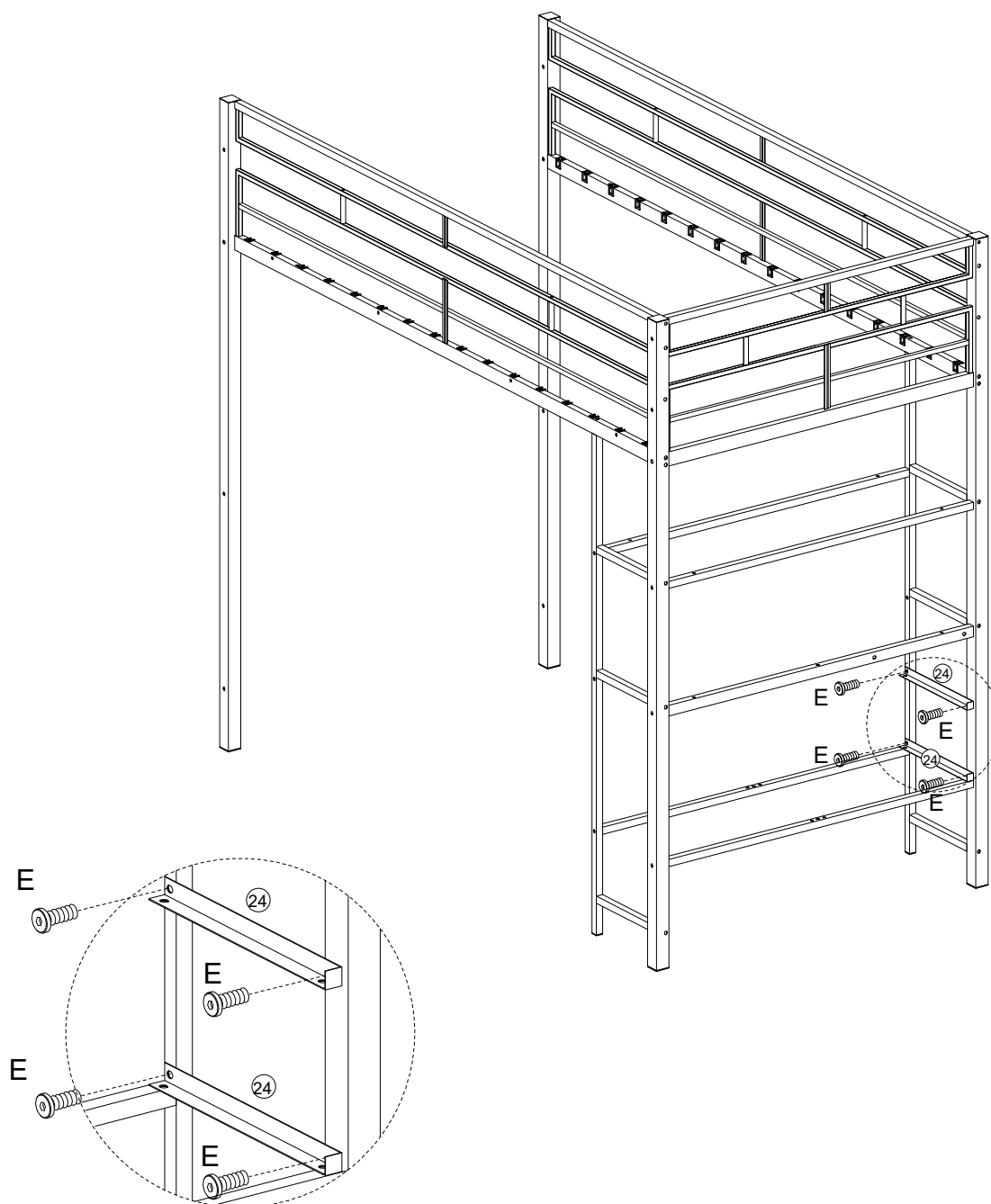
E



M6*10

4pcs

Attach Drawer Side Support Bar (24) to the assembled frame with Screw (E)



Step 11

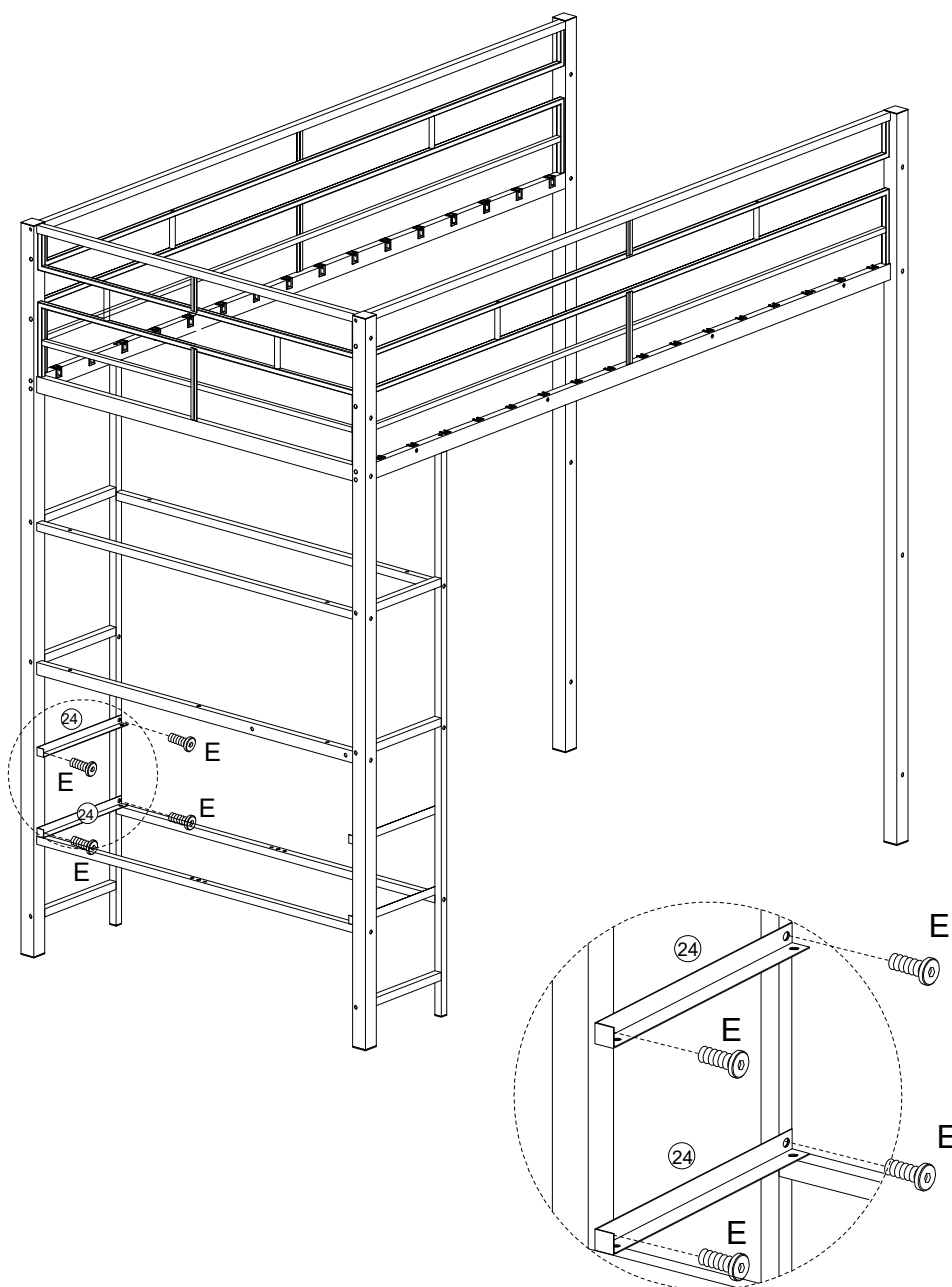
E



M6*10

4pcs

Attach Drawer Side Support Bar (24) to the assembled frame with Screw (E)



Step 12

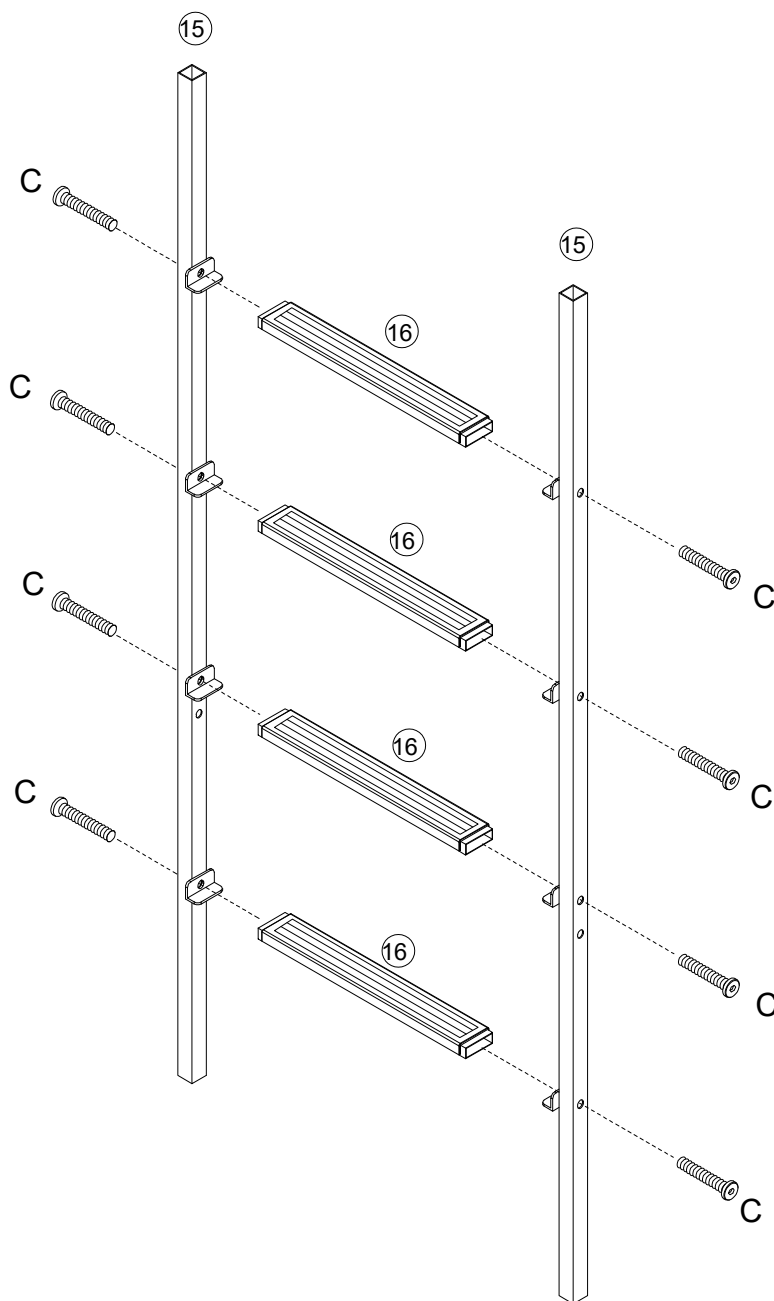
C



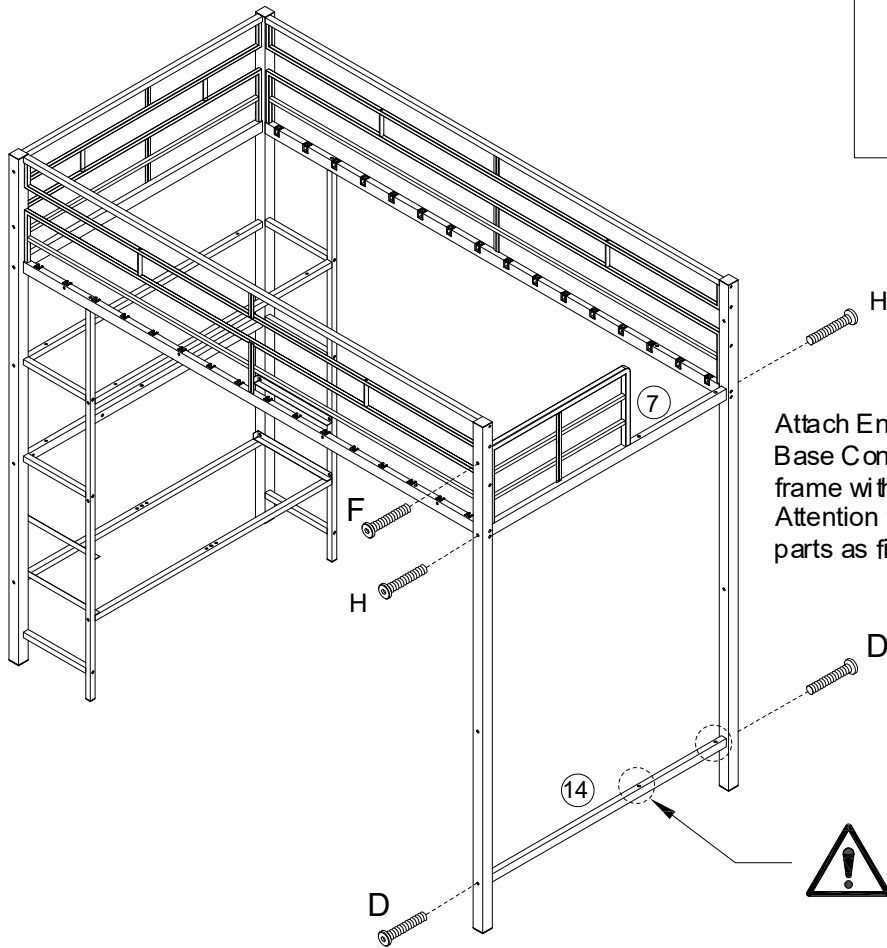
M6*38


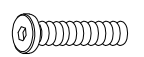
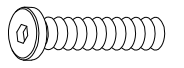
8pcs

Attach Pedal (16) to Ladder Leg Post(15) with Screw (C)



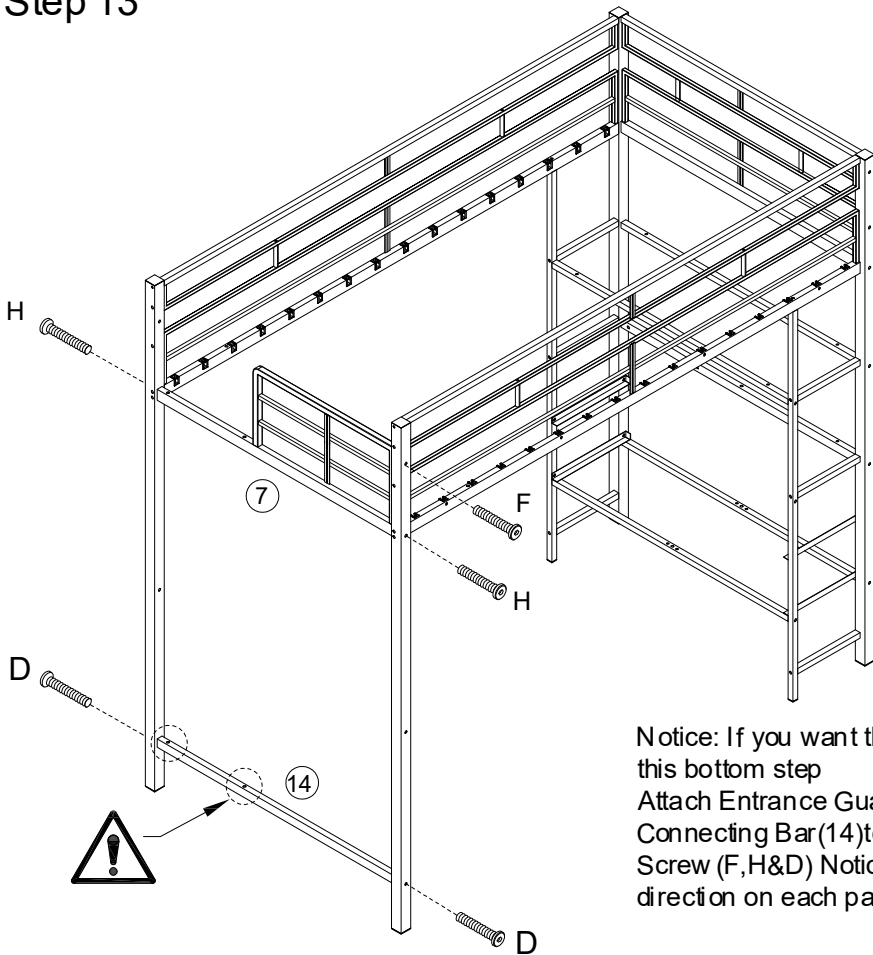
Step 13


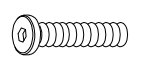
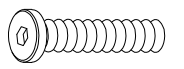


D  M6*60 2pcs	F  M6*50 1pc
H  M8*60 2pcs	

Attach Entrance Guardrail C (7), Ladder Base Connecting Bar(14) to the assembled frame with Screw (F,H&D) Notice: Attention to the hole direction on each parts as figure shows

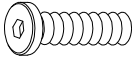
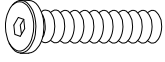
Step 13

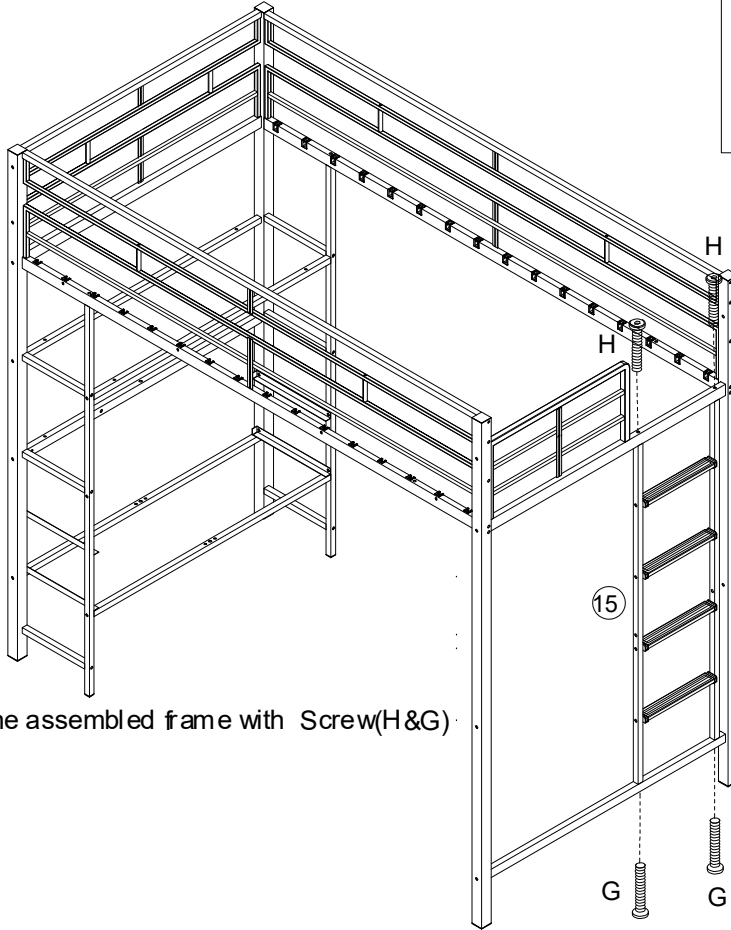


D  M6*60 2pcs	F  M6*50 1pc
H  M8*60 2pcs	

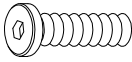
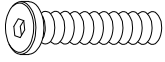
Notice: If you want the ladder on the left, follow this bottom step
 Attach Entrance Guardrail C (7), Ladder Base Connecting Bar(14) to the assembled frame with Screw (F,H&D) Notice: Attention to the hole direction on each parts as figure shows

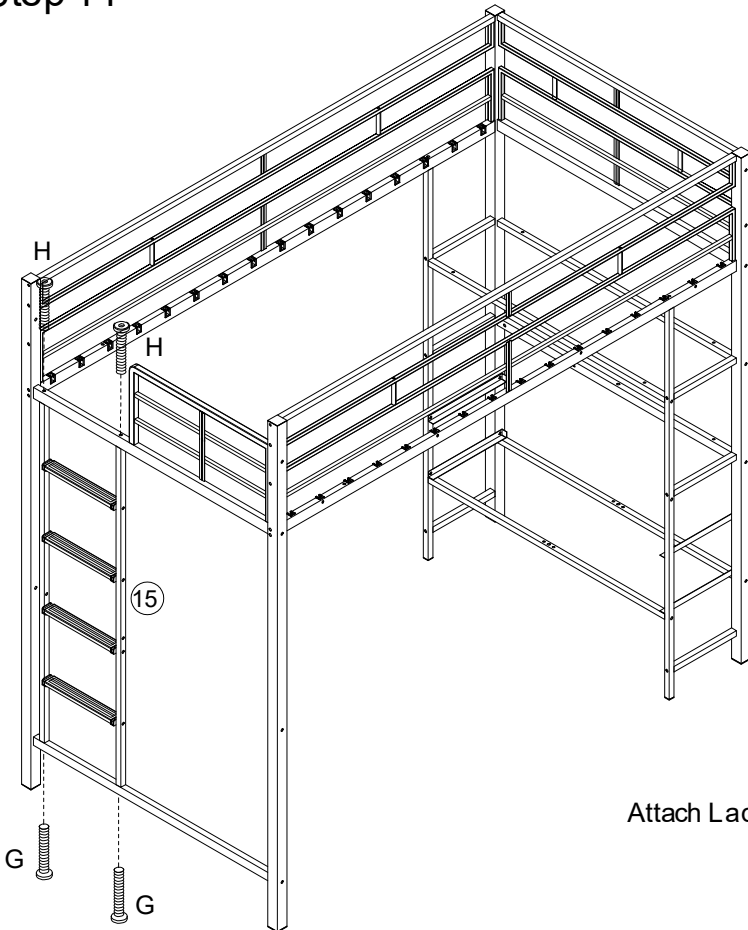
Step 14

G  M8*50 2pcs	H  M8*60 2pcs
--	--

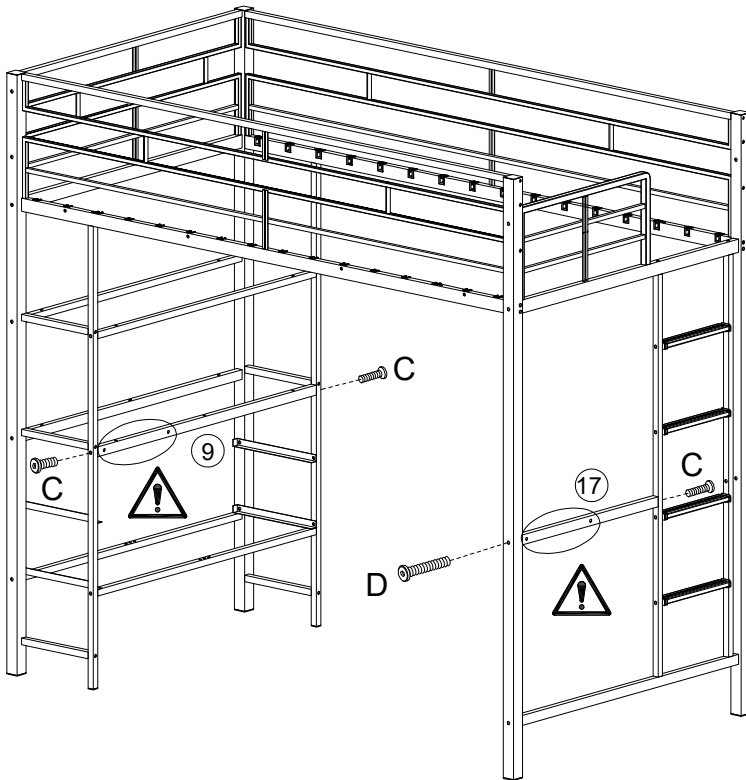



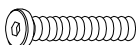
Step 14

G  M8*50 2pcs	H  M8*60 2pcs
--	--



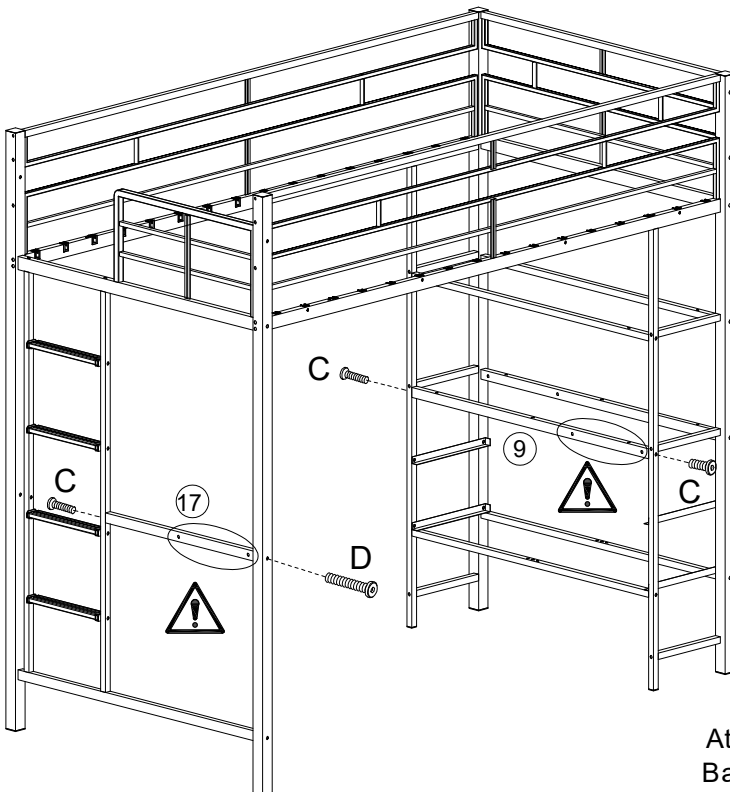
Step 15


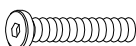


C  M6*38 3pcs	D  M6*60 1pc
--	---

Attach Ladder Middle Connecting Bar(17),Dresser Middle Layer Base Bar(9) to the assembled frame with Screw (C&D)

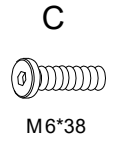
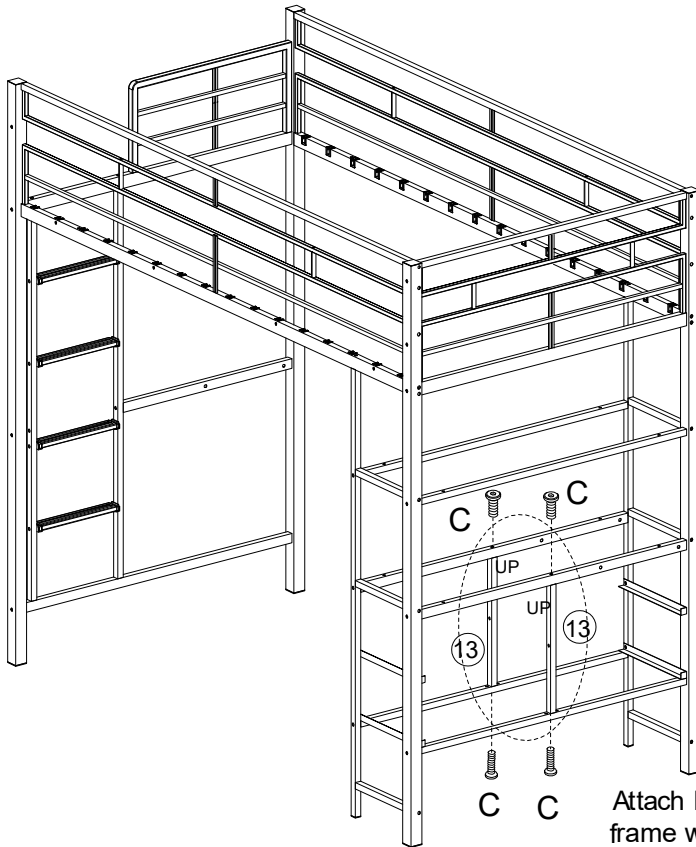
Step 15



C  M6*38 3pcs	D  M6*60 1pc
--	---

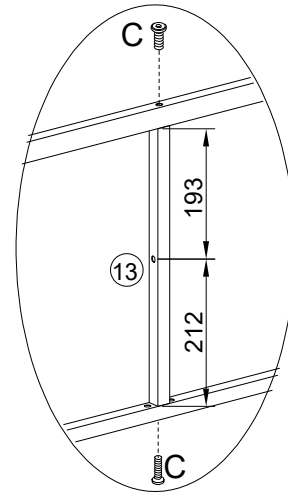
Attach Ladder Middle Connecting Bar(17),Dresser Middle Layer Base Bar(9) to the assembled frame with Screw (C&D)

Step 16



M6*38

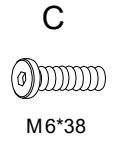
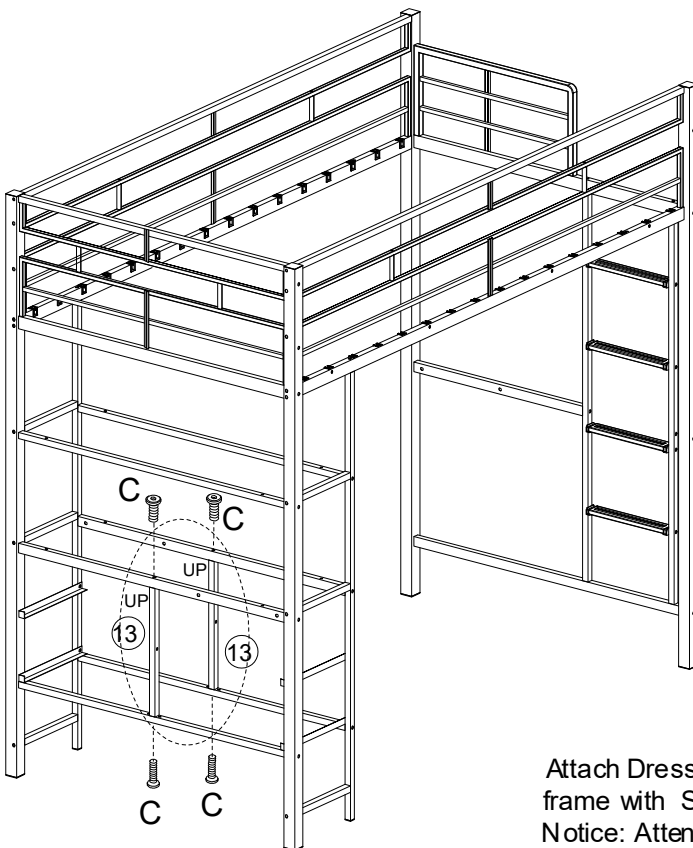
4pcs



Attach Dresser Middle Support Post(13)to the assembled frame with Screw (C)

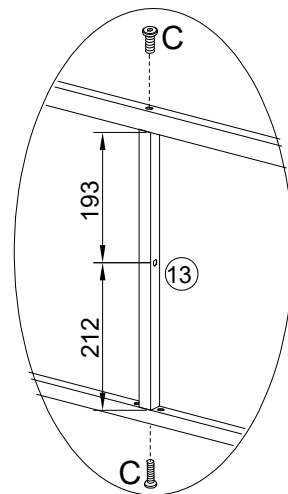
Notice: Attention to the hole distance on each parts as figure shows

Step 16



M6*38

4pcs

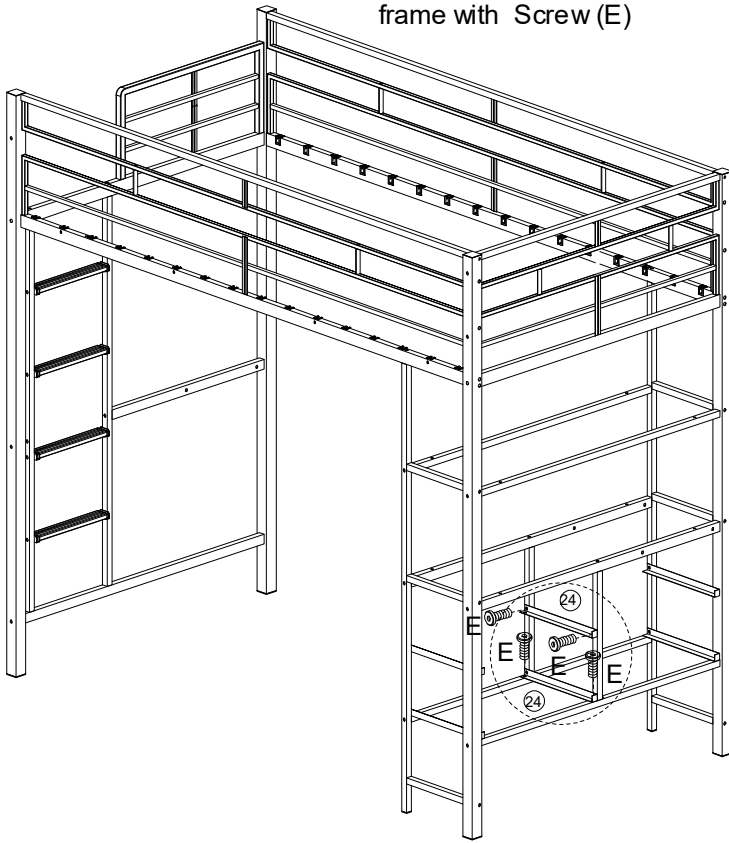


Attach Dresser Middle Support Post(13)to the assembled frame with Screw (C)

Notice: Attention to the hole distance on each parts as figure shows

Step 17

Attach Drawer Side Support Bar(24)to the assembled frame with Screw (E)

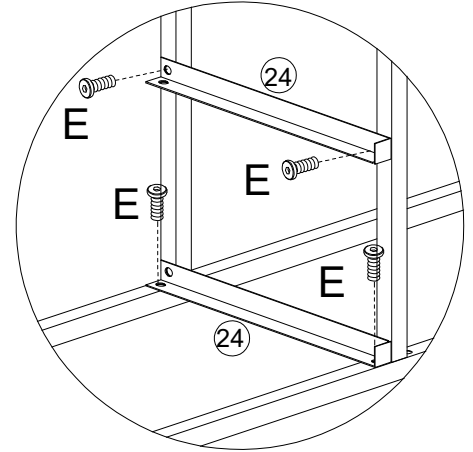


E



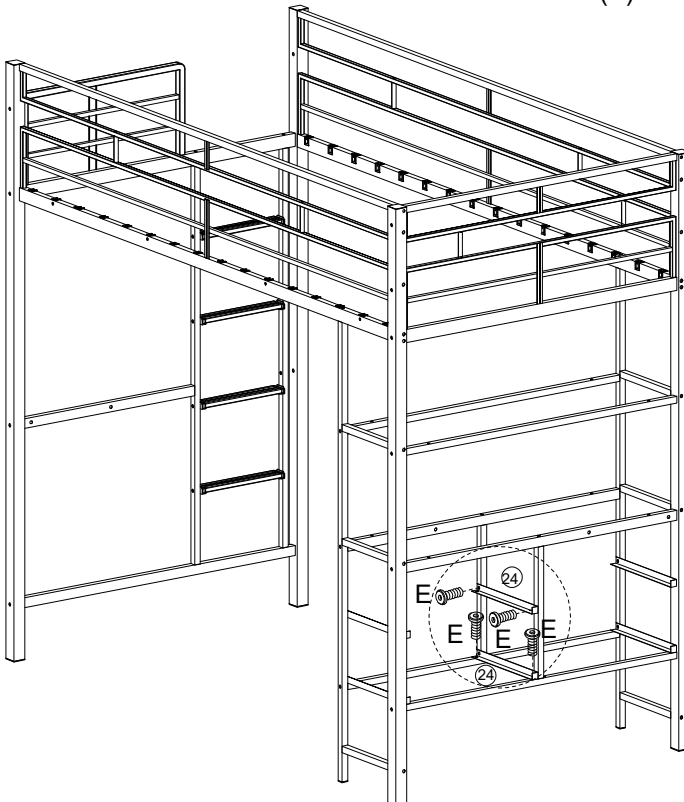
M6*10

4pcs



Step 17

Attach Drawer Side Support Bar(24)to the assembled frame with Screw (E)

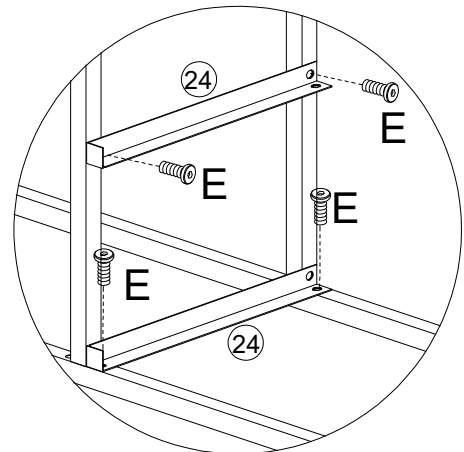


E



M6*10

4pcs



Step 18

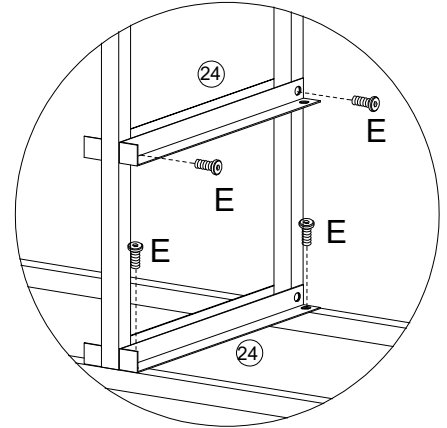
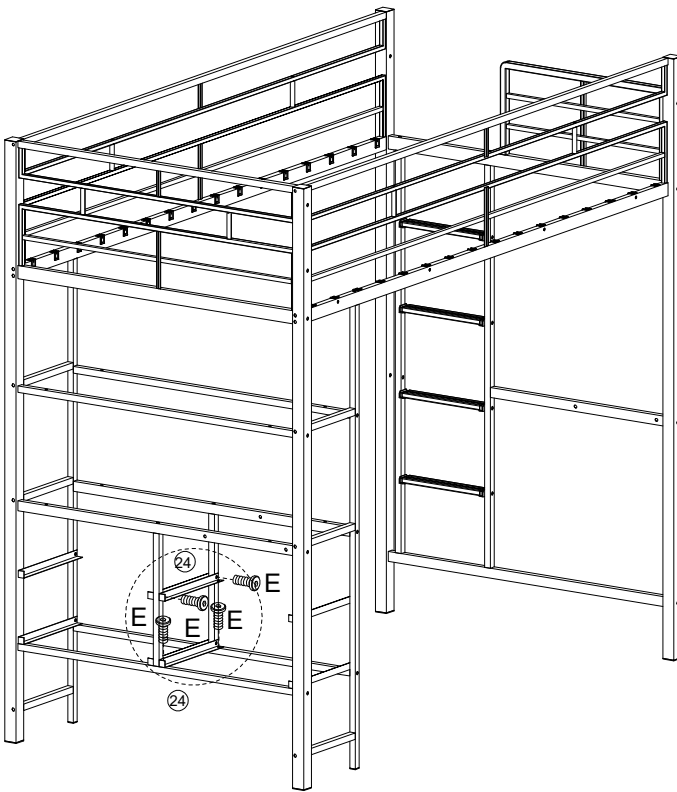
Attach Drawer Side Support Bar(24)to the assembled frame with Screw(E)(Another side support)

E



M6*10

4pcs



Step 18

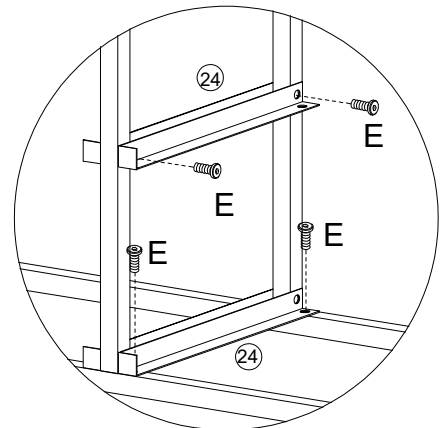
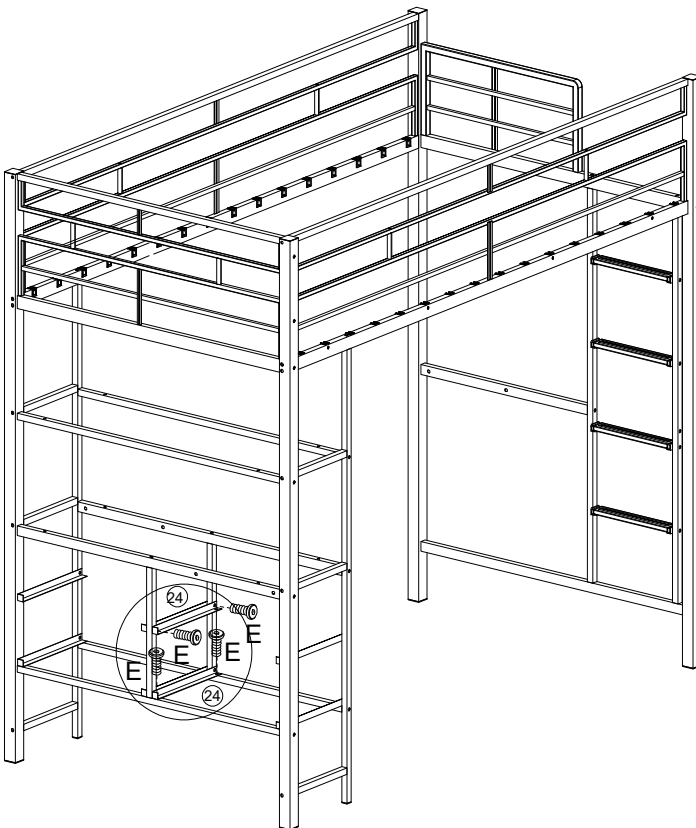
Attach Drawer Side Support Bar(24)to the assembled frame with Screw (E)(Another side support)

E



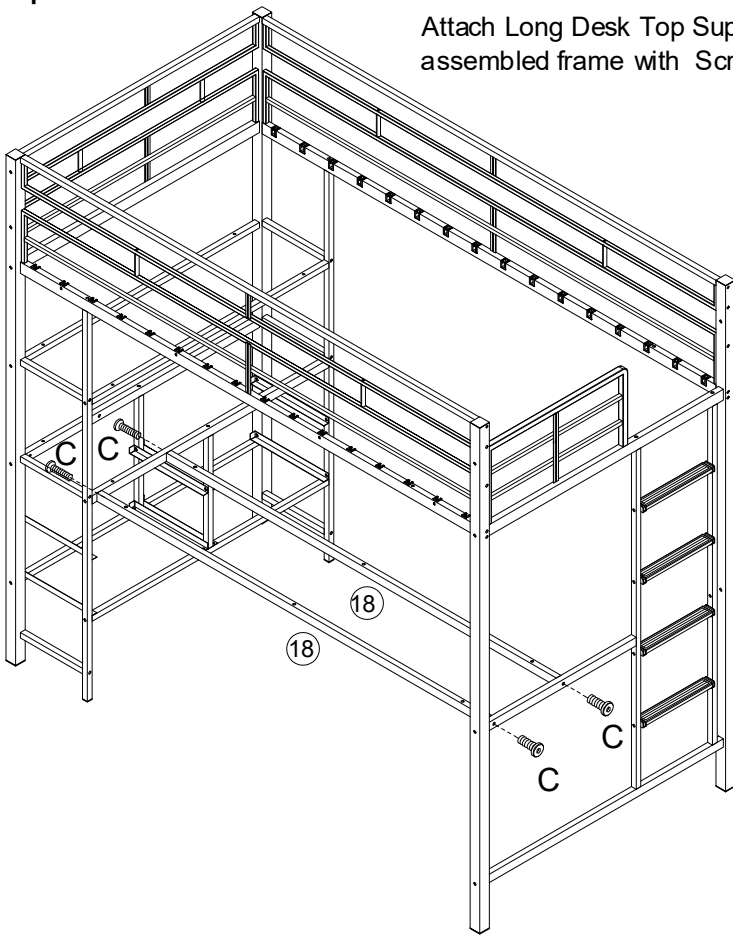
M6*10

4pcs



Step 19

Attach Long Desk Top Support Bar(18)to the assembled frame with Screw (C)(Another side support)



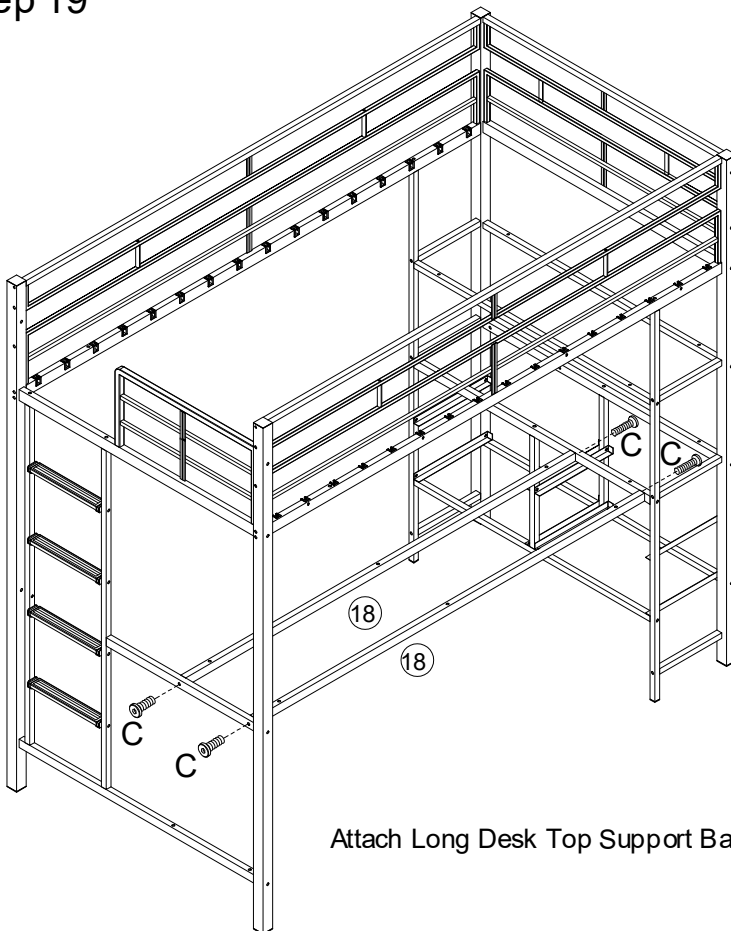
C



M6*38

4pcs

Step 19



C

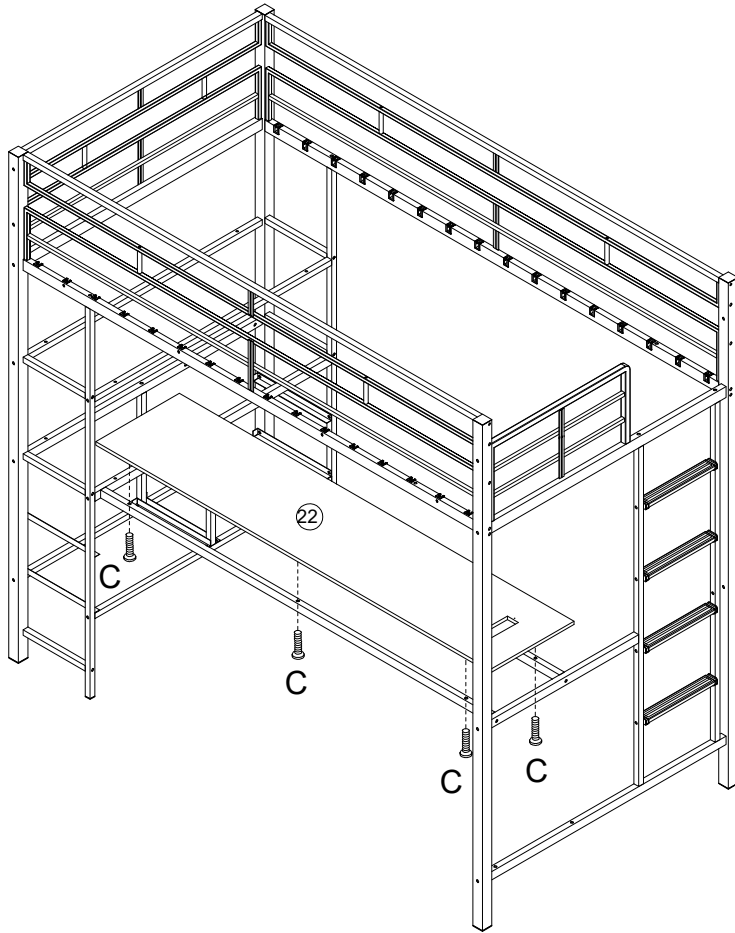


M6*38

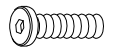
4pcs

Attach Long Desk Top Support Bar(18)to the assembled frame with Screw (C)

Step 20



C

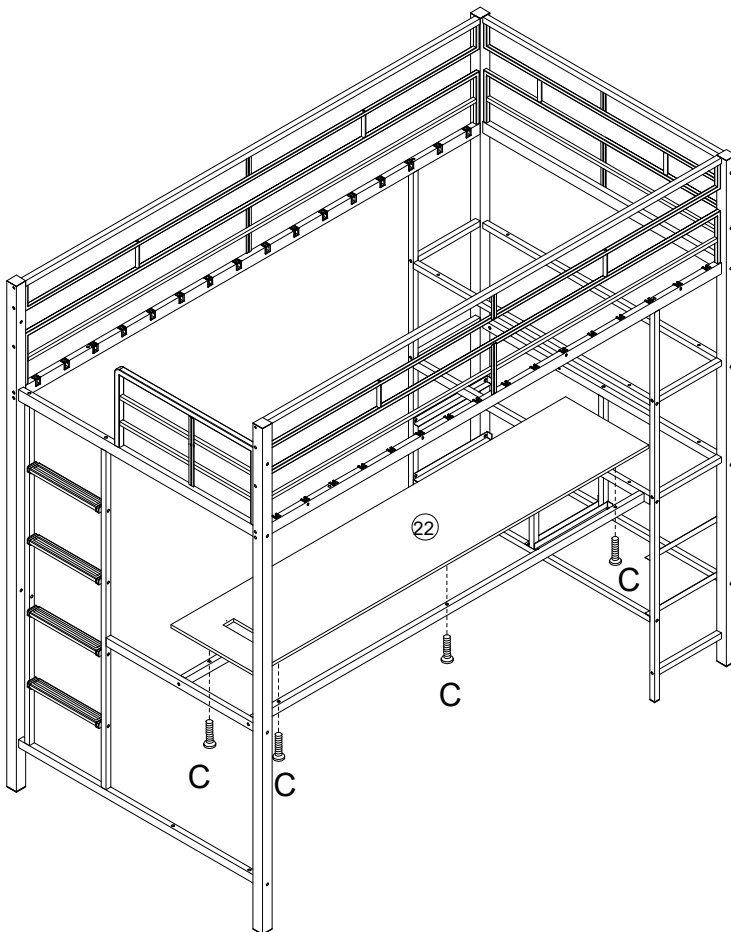


M6*38

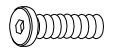
6pcs

Attach Long Desk Top(22)to the assembled frame with Screw (C)

Step 20



C

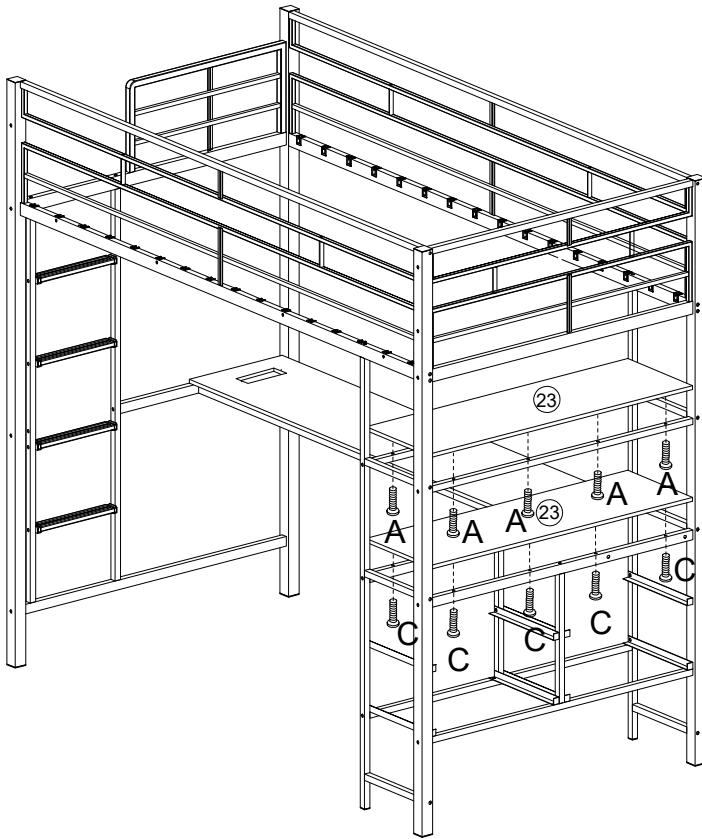



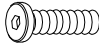
M6*38

6pcs

Attach Long Desk Top(22)to the assembled frame with Screw (C)

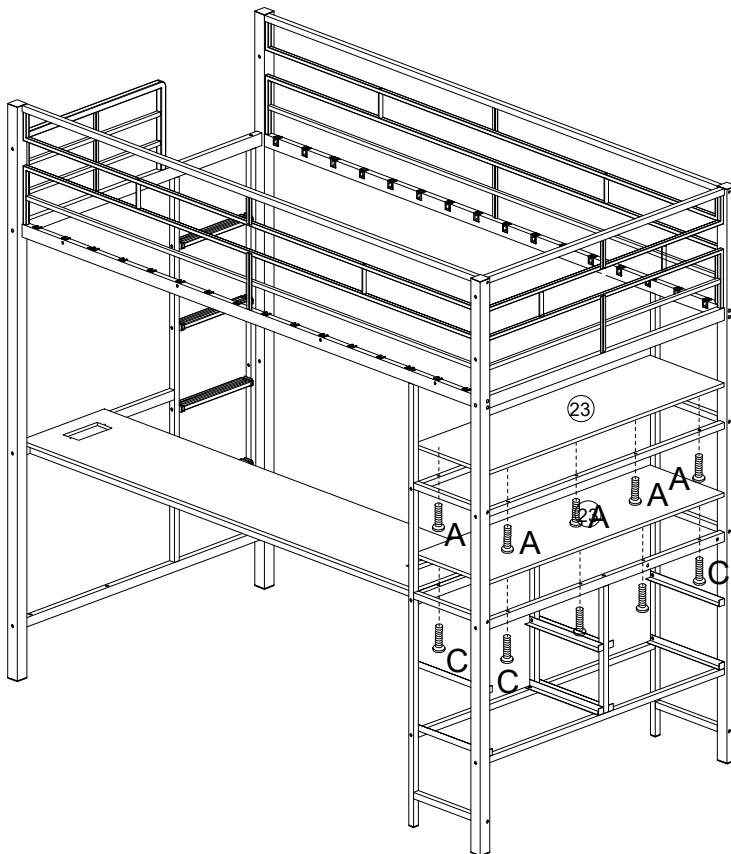
Step 21


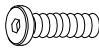


A  M6*28 8pcs	C  M6*38 8pcs
--	--

Put on shelves panel(23) and fix by Screw(A,C)

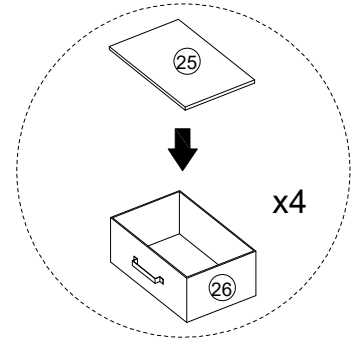
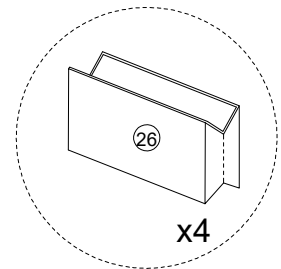
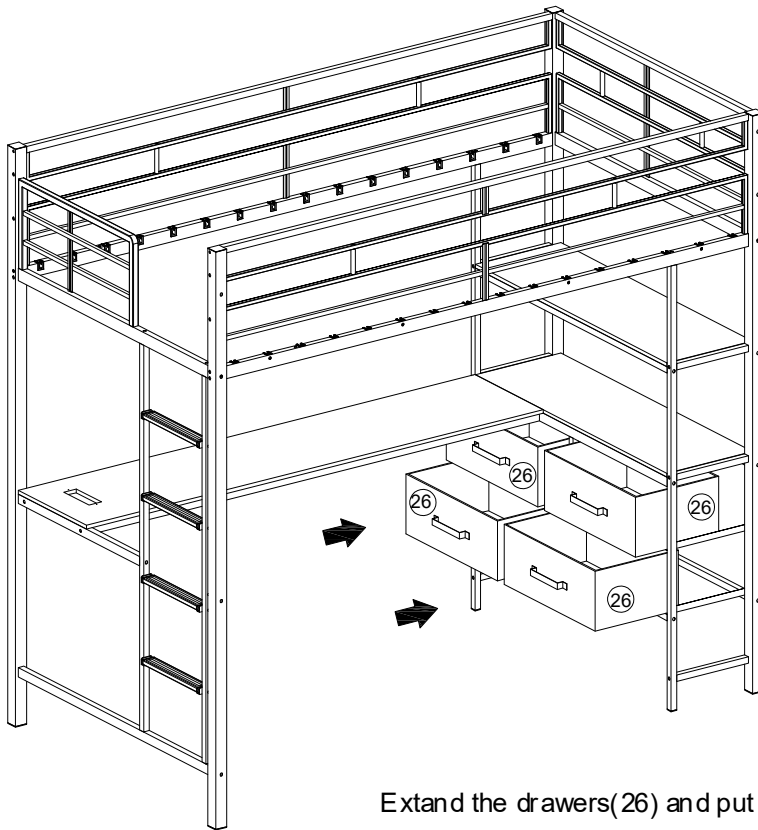
Step 21



A  M6*28 8pcs	C  M6*38 8pcs
--	--

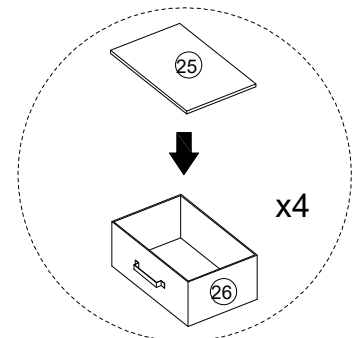
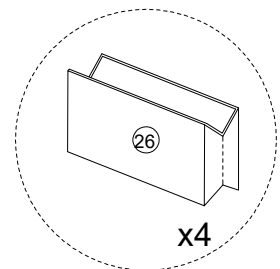
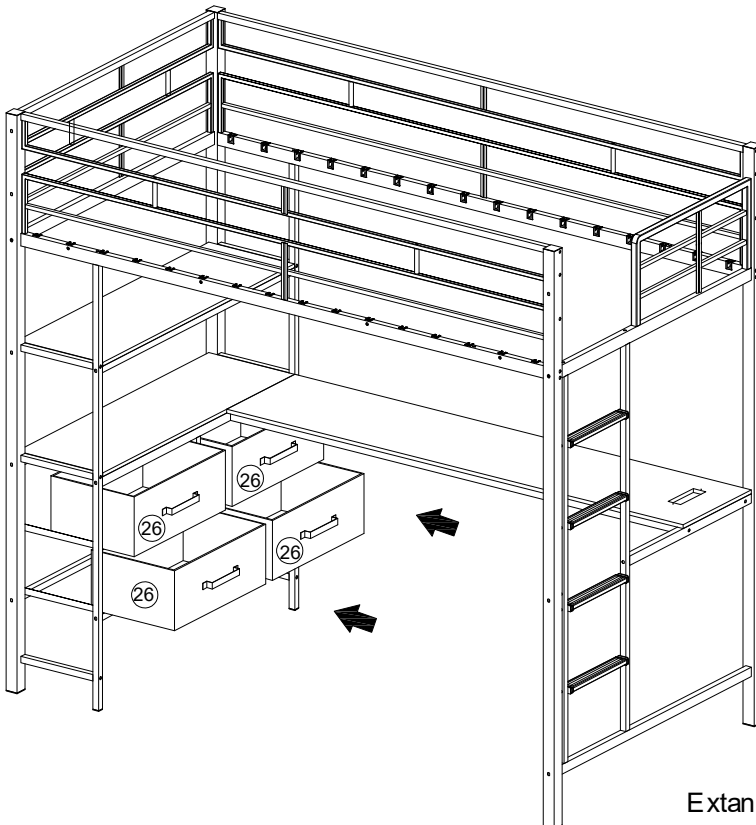
Put on shelves panel(23) and fix by Screw(A,C)

Step 22



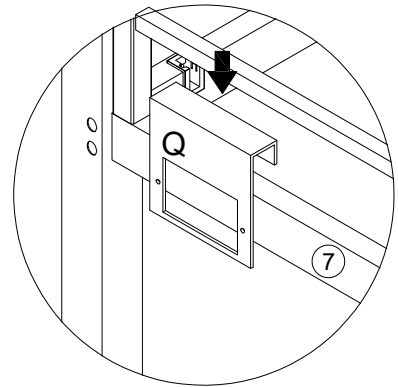
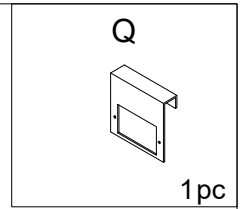
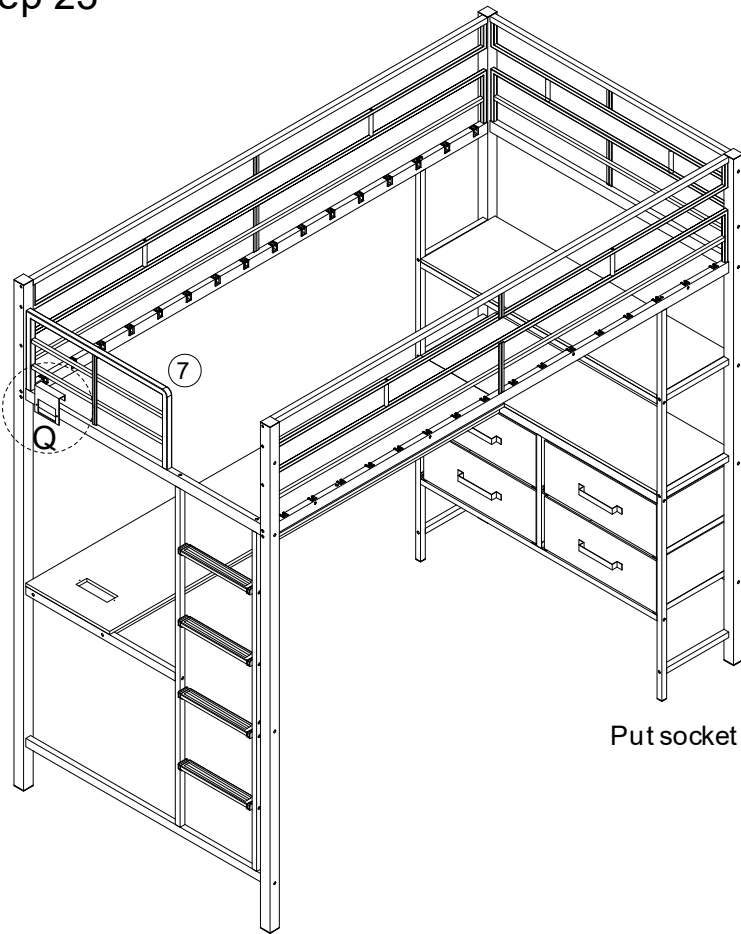
Extend the drawers(26) and put the base(25) in

Step 22



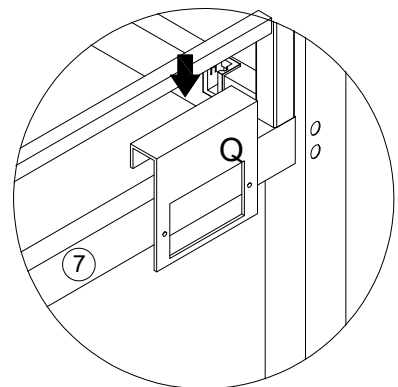
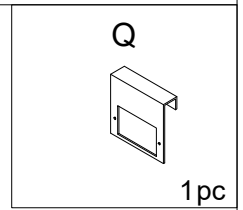
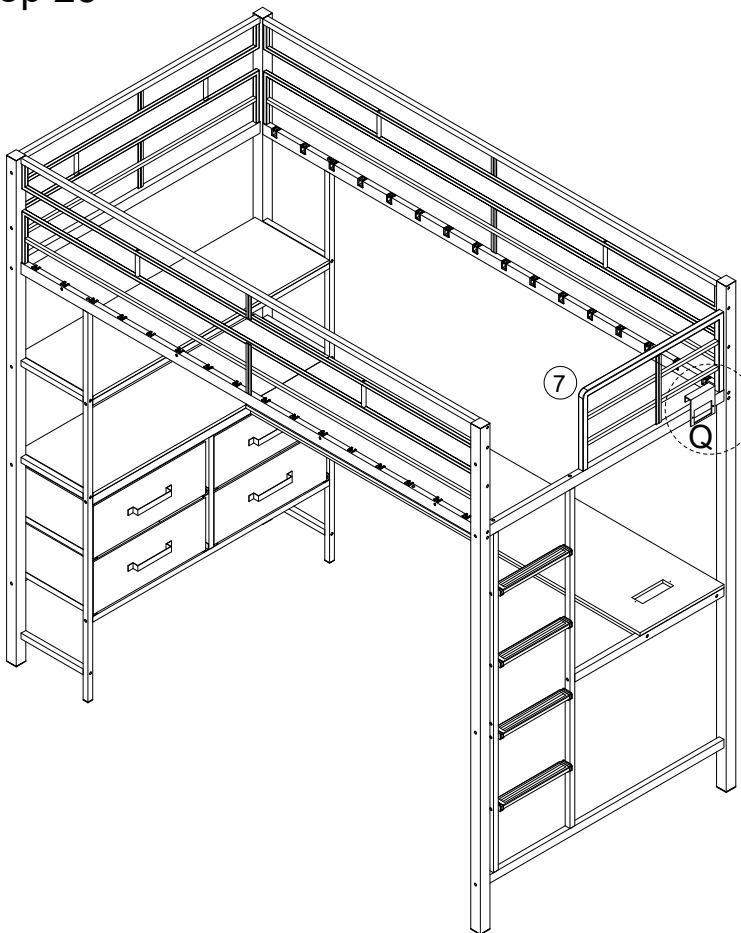
Extend the drawers(26) and put the base(25) in

Step 23



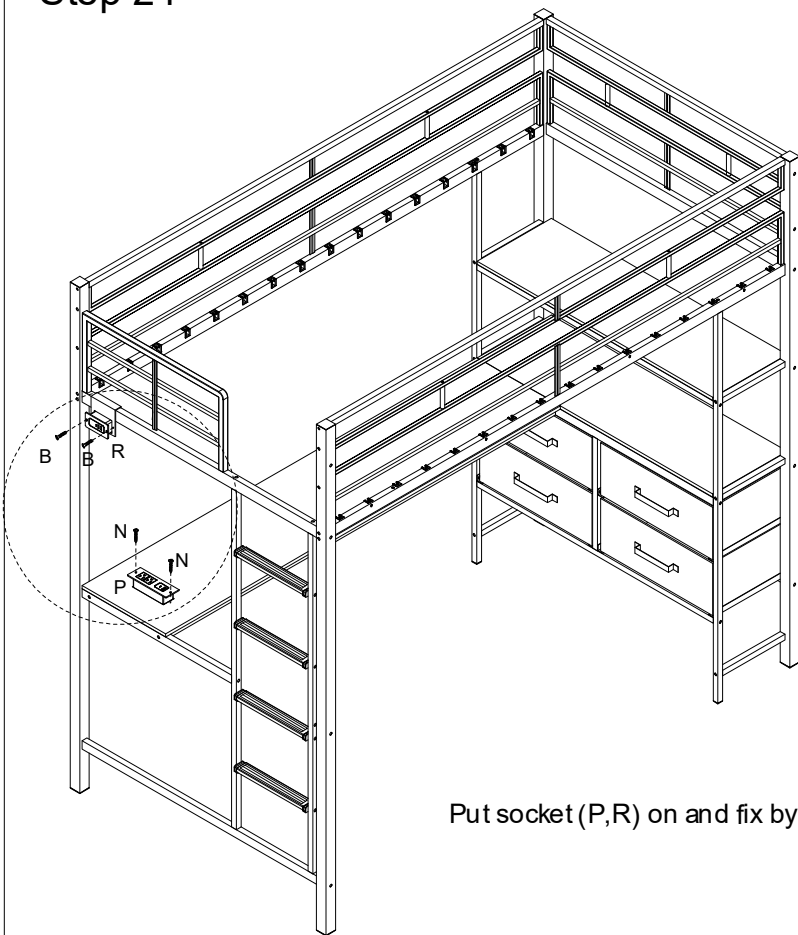
Put socket panel(Q) on short entrance rail(7)

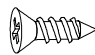

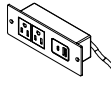
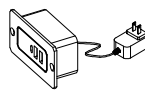
Step 23

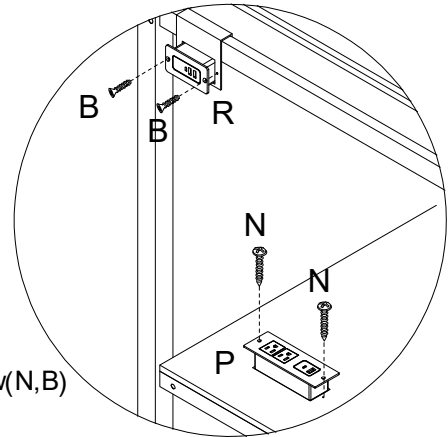


Put socket panel(Q) on short entrance rail(7)

Step 24

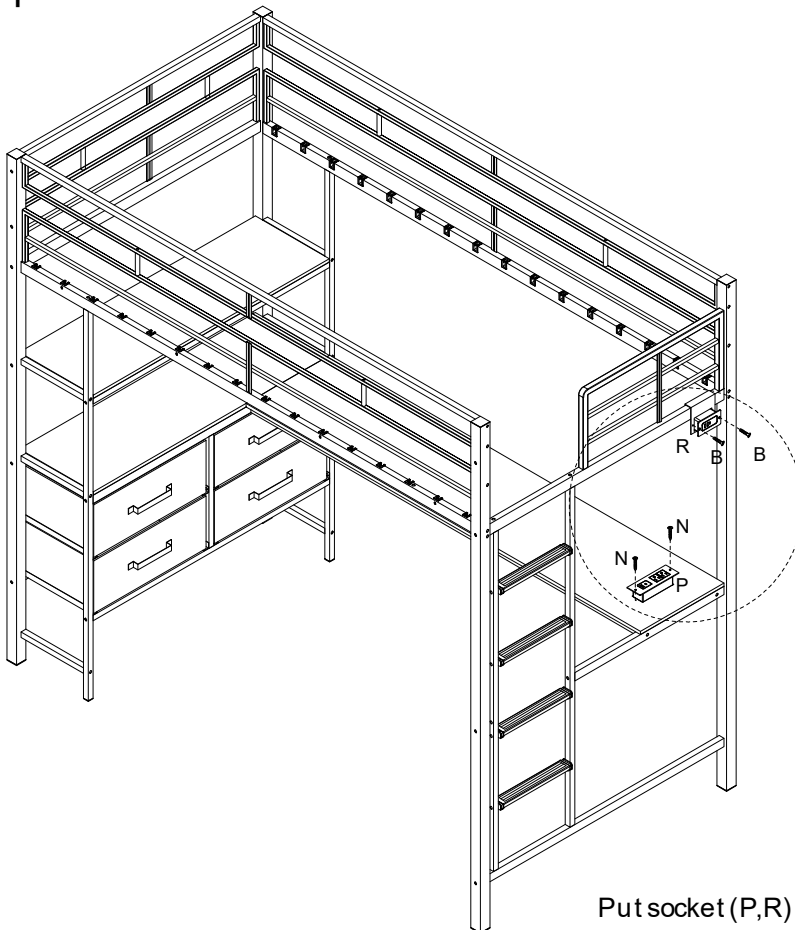




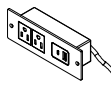
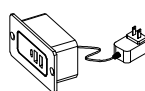
<p>N</p>  <p>Ø3.5*12 2pcs+1</p>	<p>B</p>  <p>Ø4*10 2pcs+1</p>
<p>P</p>  <p>1pc</p>	<p>R</p>  <p>1pc</p>

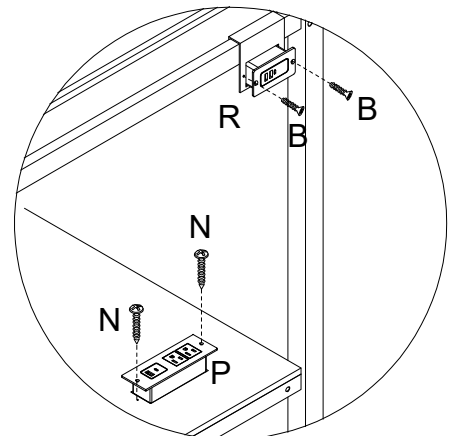


Put socket (P,R) on and fix by Screw(N,B)

Step 24

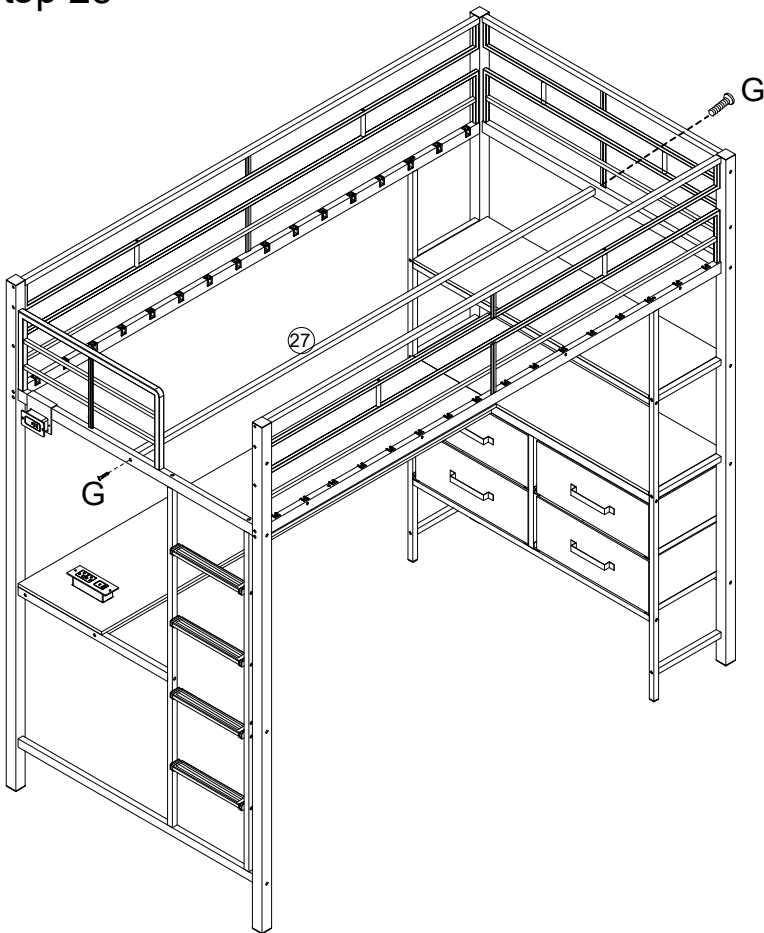


<p>N</p>  <p>Ø3.5*12 2pcs+1</p>	<p>B</p>  <p>Ø4*10 2pcs+1</p>
<p>P</p>  <p>1pc</p>	<p>R</p>  <p>1pc</p>



Put socket (P,R) on and fix by Screw(N,B)

Step 25

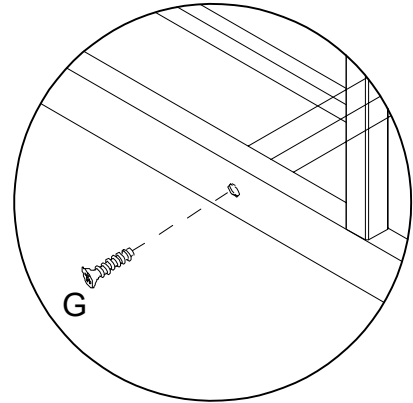


G



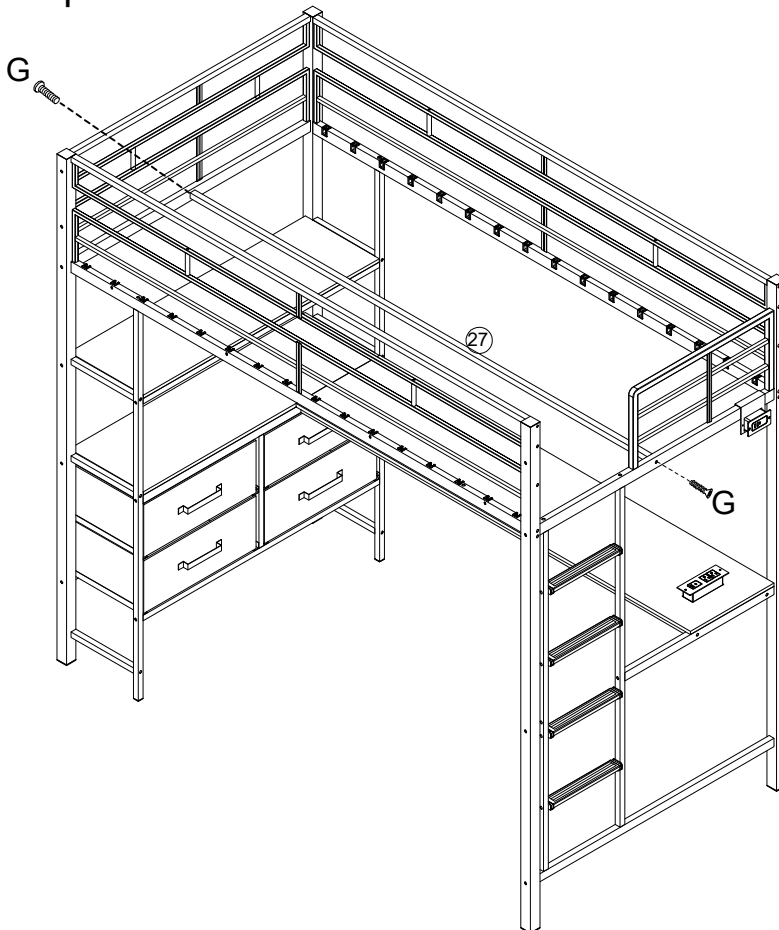
M8*50

2pcs



Secure the center beam (27) to the assembled frame with screws(G)

Step 25

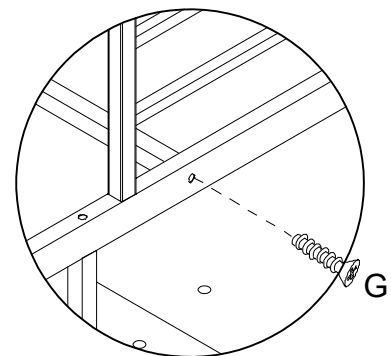


G



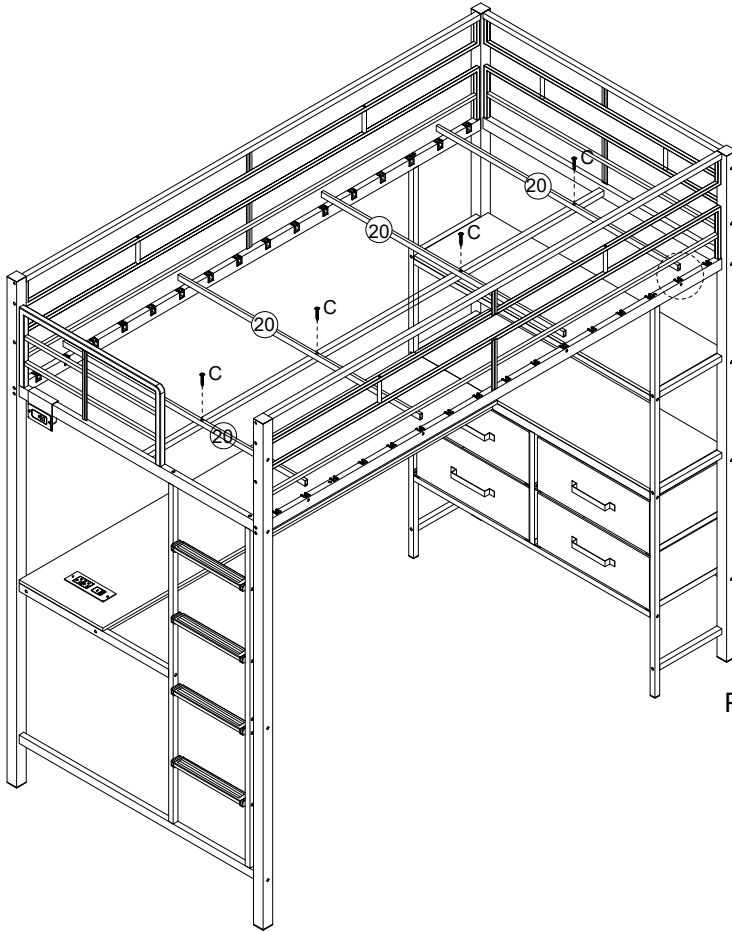
M8*50

2pcs

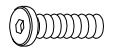


Secure the center beam (27) to the assembled frame with screws(G)

Step 26

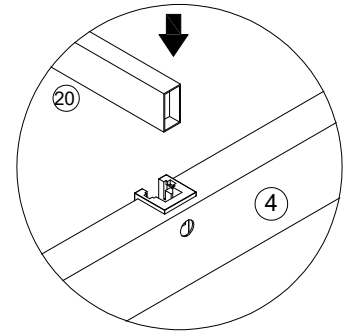


C



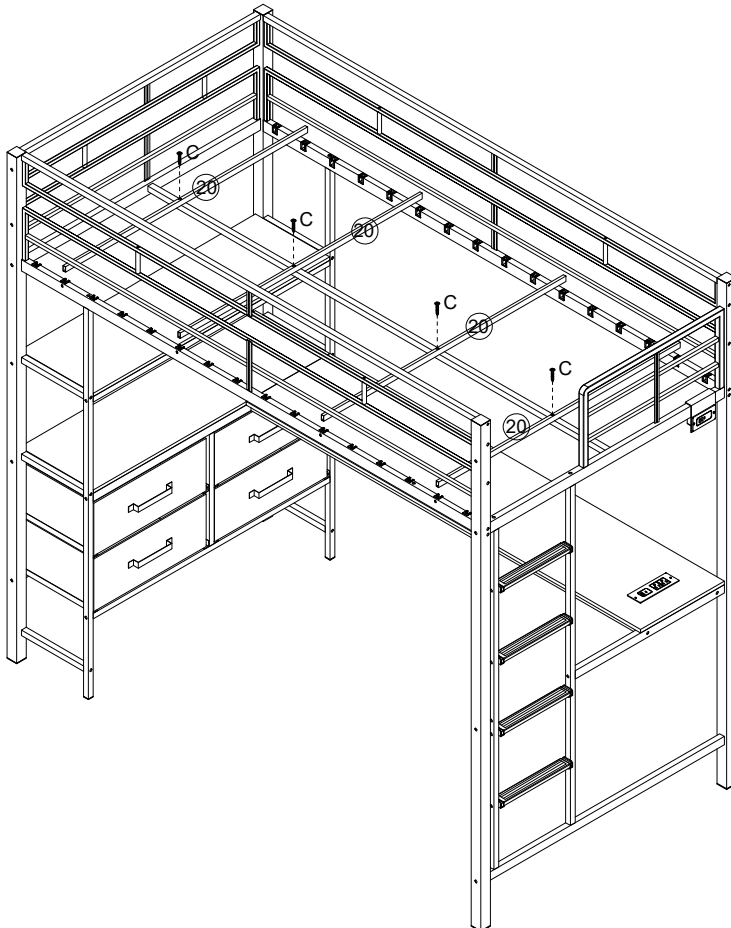
M6*38

4pcs

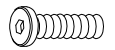


Put on slat with nut(20) on the gap with hole

Step 26

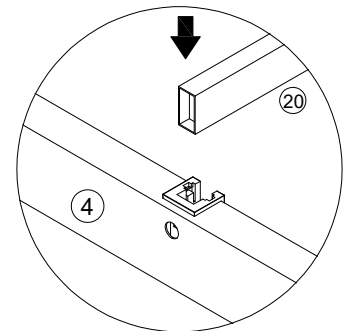


C



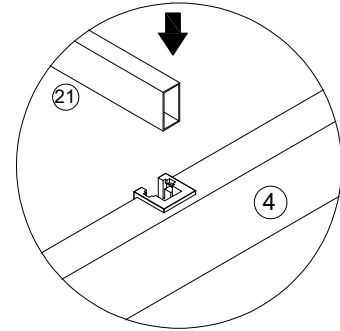
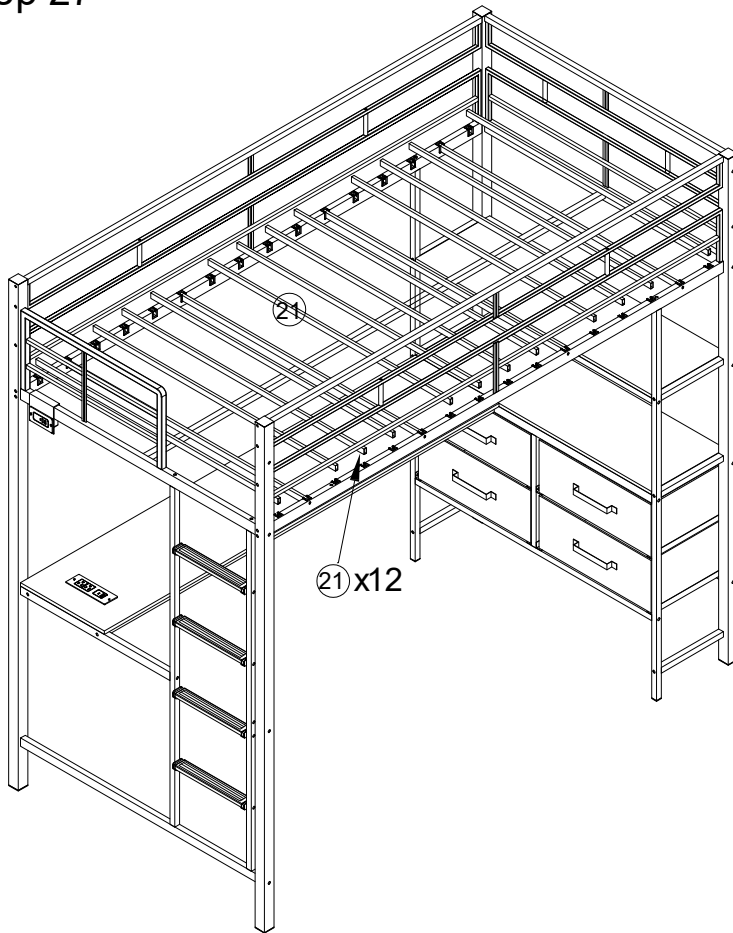
M6*38

4pcs



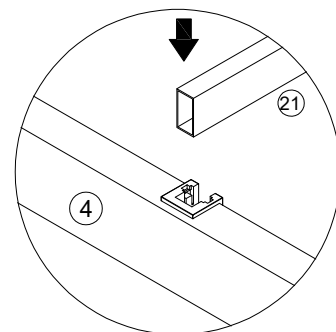
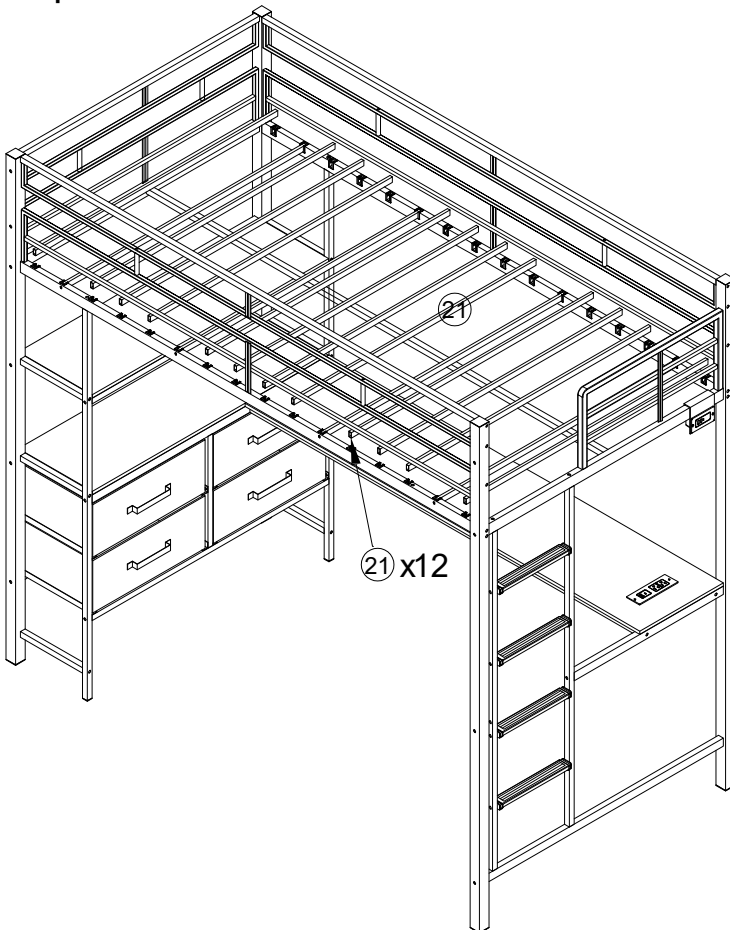
Put on slat with nut(20) on the gap with hole

Step 27



Put on slat(21) on the balance gap

Step 27



Put on slat(21) on the balance gap

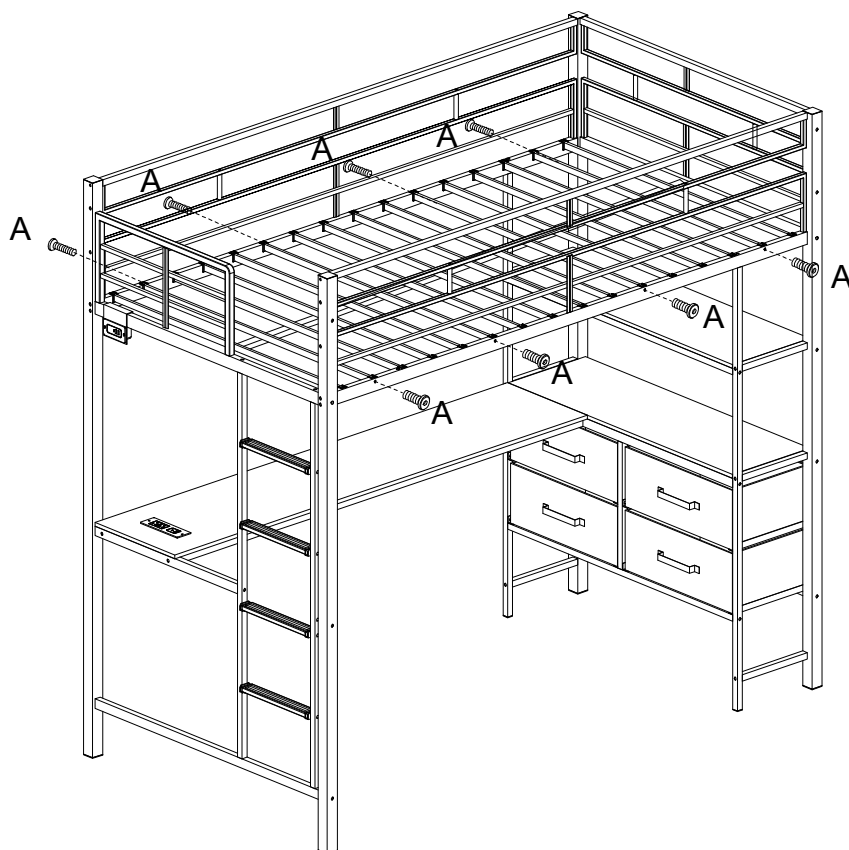
Step 28

A



M6*28

8pcs



Fix slat with nut(20) with Screw(A)

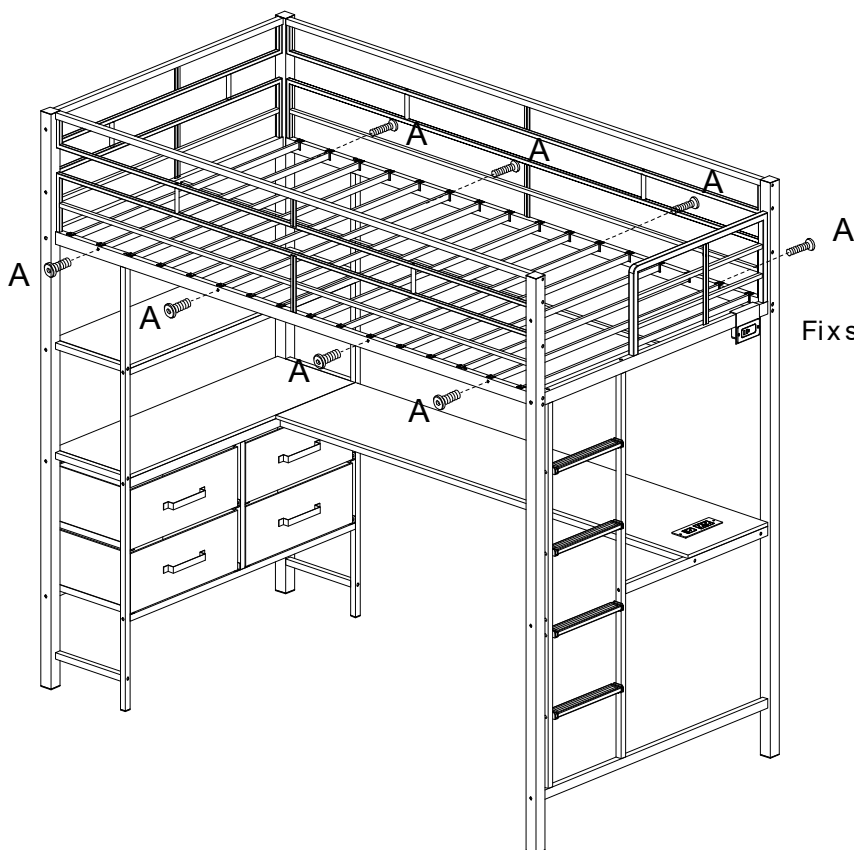
Step 28

A



M6*28

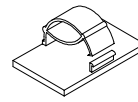
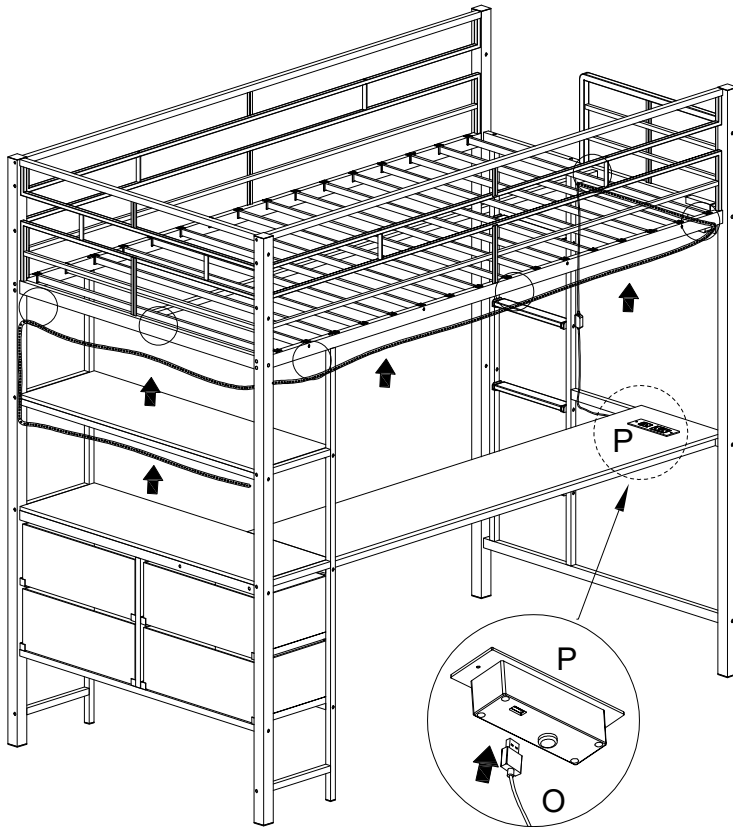
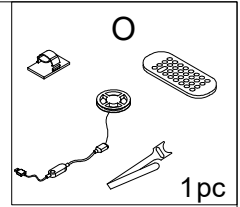
8pcs



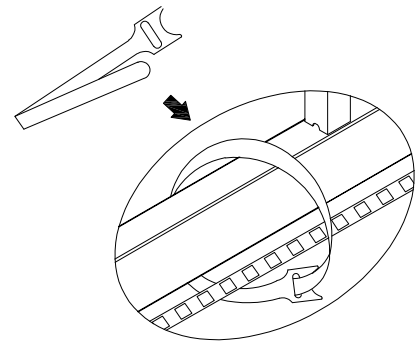
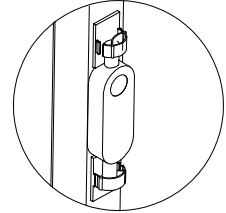
Fix slat with nut(20) with Screw(A)

Step 29

Stick the LED Light strip on the place you want, and then connect to the back USB port of Socket(P)

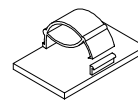
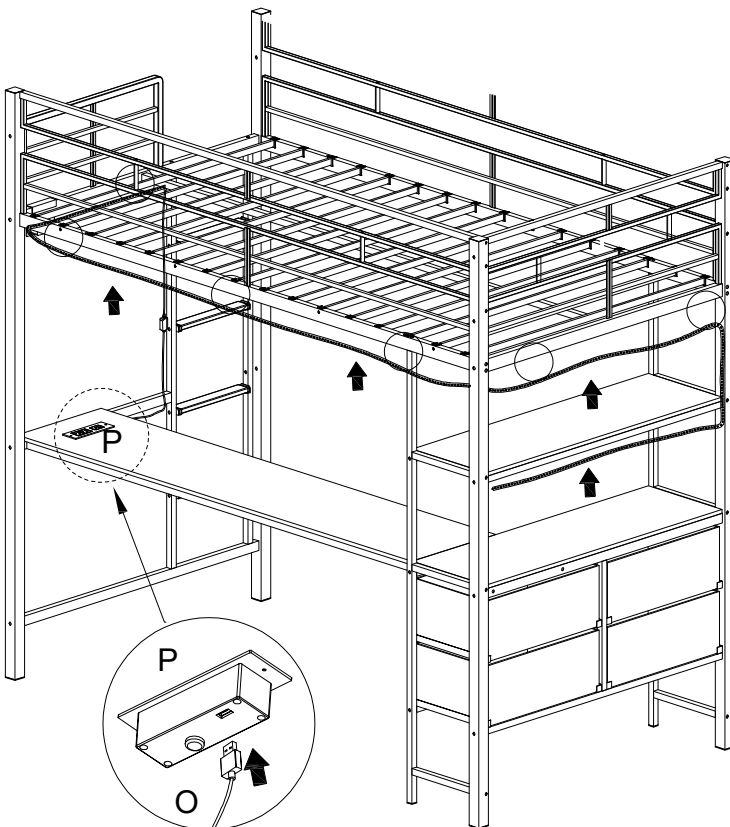
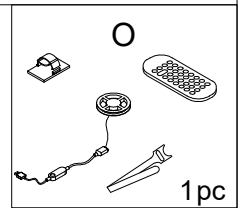


Put the cable into the clamp and keep in tidy

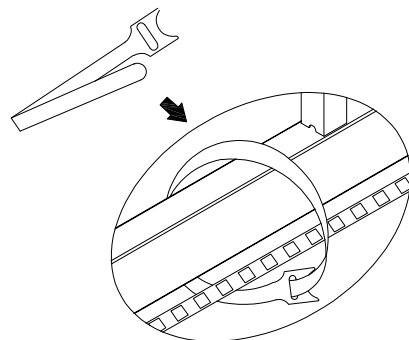
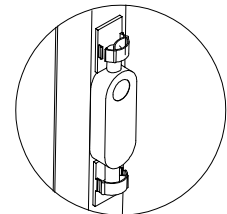


Step 29

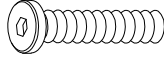
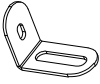
Stick the LED Light strip on the place you want, and then connect to the back USB port of Socket(P)

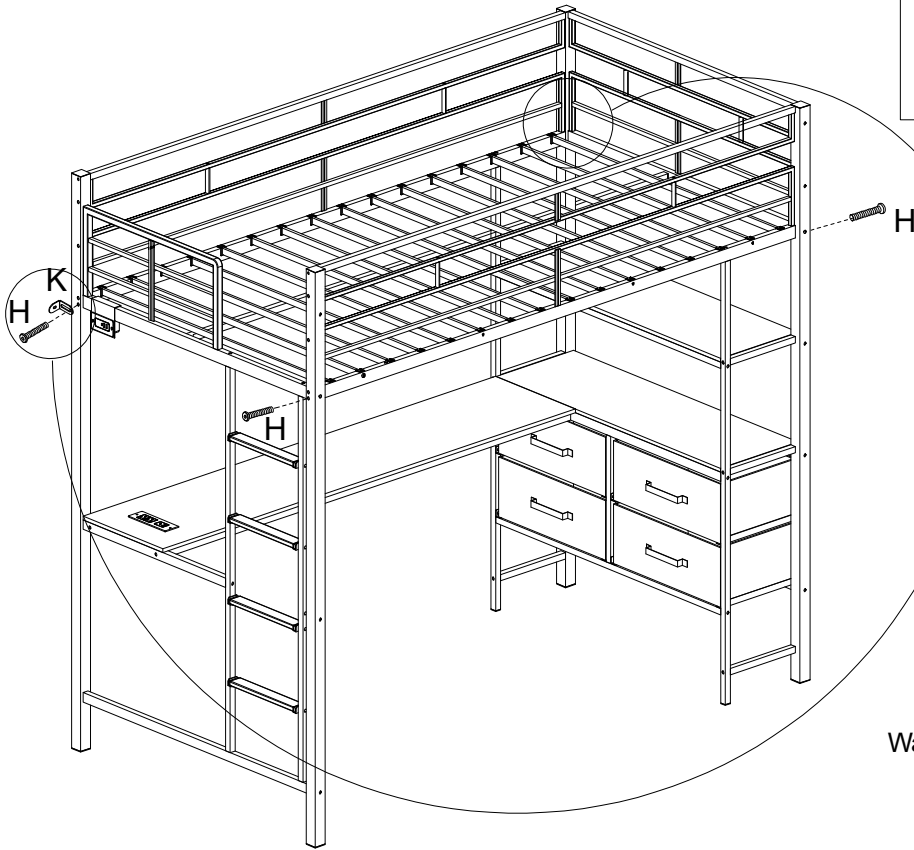


Put the cable into the clamp and keep in tidy



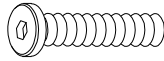

Step 30

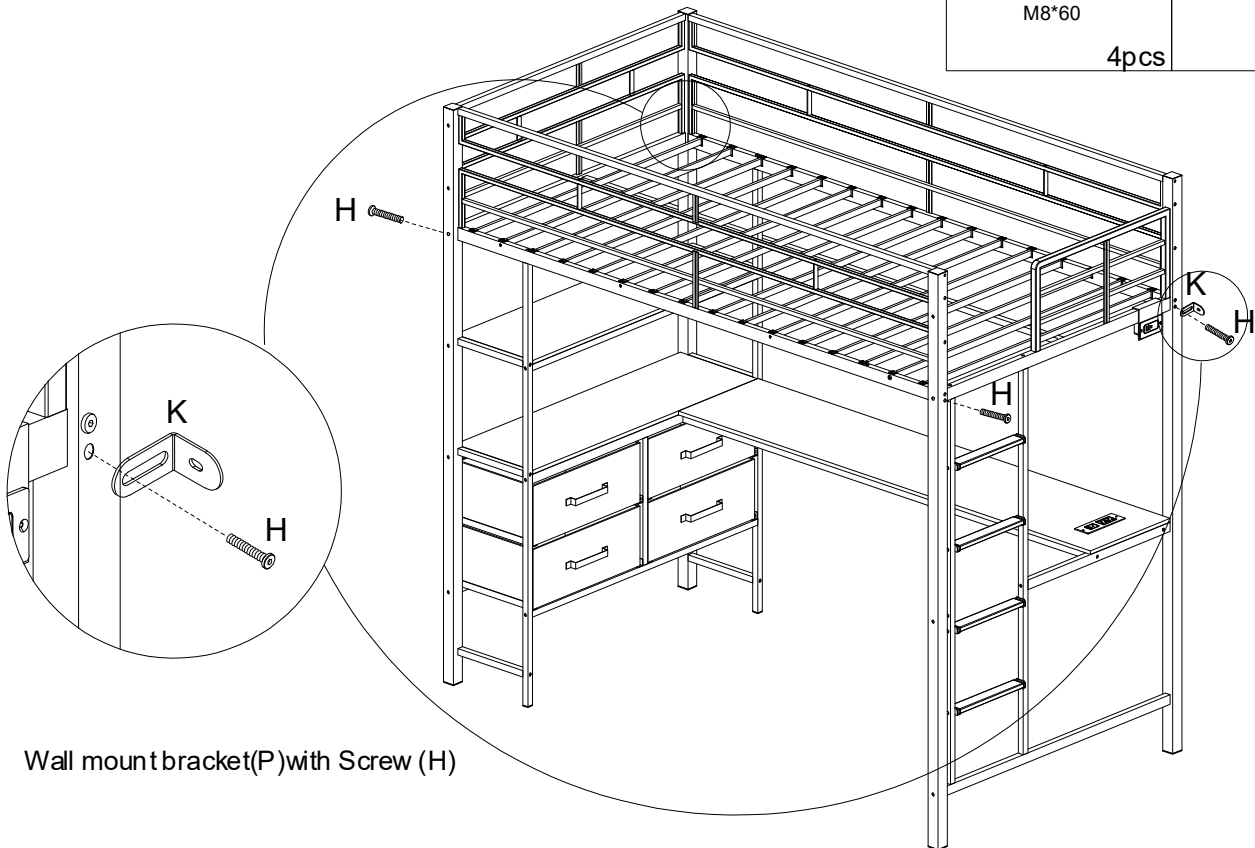
H  M8*60 4pcs	K  2pcs
---	--



Wall mount bracket(P) with Screw (H)

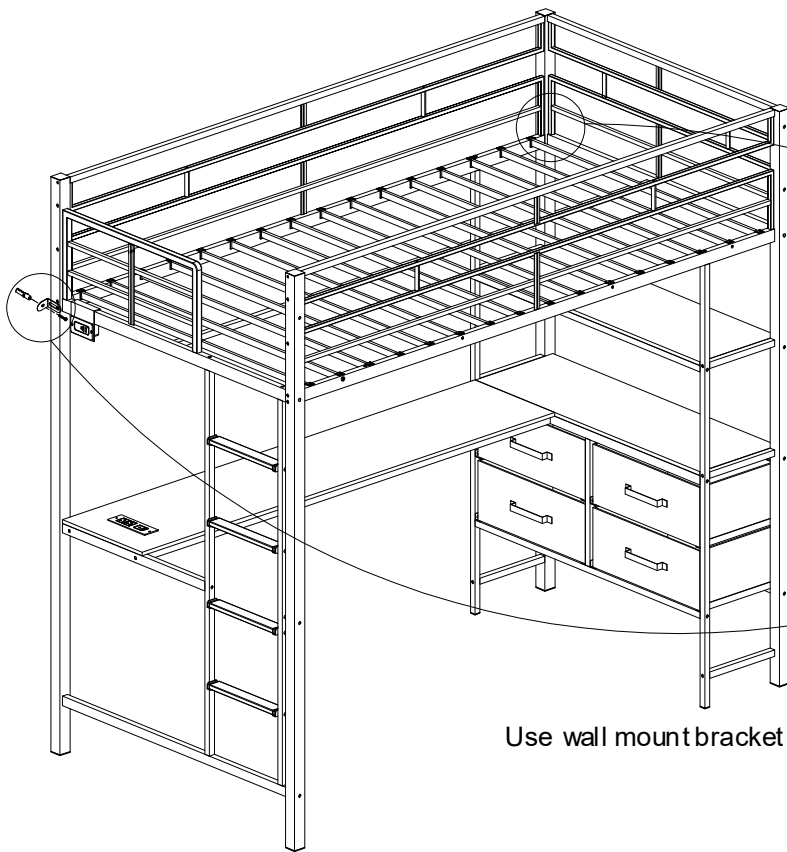
Step 30



H  M8*60 4pcs	K  2pcs
---	--

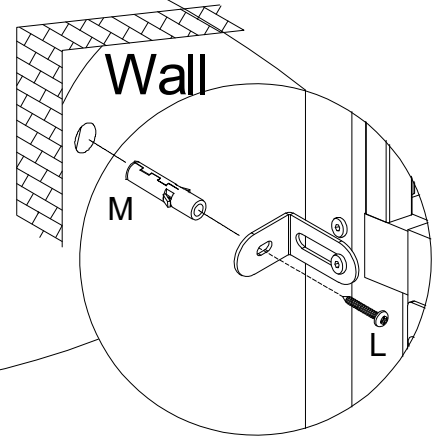


Wall mount bracket(P) with Screw (H)

Step 31



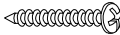

L	M
	
M4*35	
2pcs	2pcs

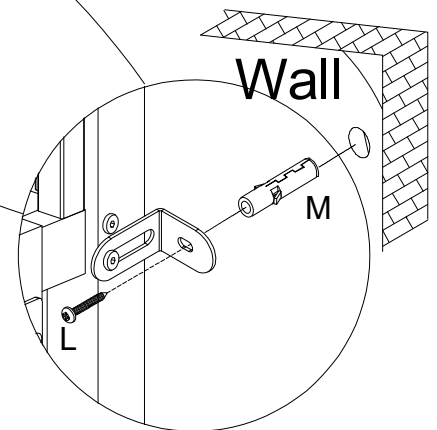


Use wall mount bracket to mount this bed to the wall for extra solid

Step 31




L	M
	
M4*35	
2pcs	2pcs



Use wall mount bracket to mount this bed to the wall for extra solid

Safety Warnings

1. Follow the information on the warnings appearing on the upper bunk end structure and on the carton. Do not remove warning label from bed.
2. Always use the recommended size mattresses or mattress supports, or both, to help prevent the likelihood of entrapment or falls.
3. Surface of mattress must be at least 5 in. (127 mm) below the upper edge of guardrails.
4. Do not allow children under 6 years of age to use the upper bunk.
5. Periodically check and ensure that the guardrail, ladder, and other components are in their proper position, free from damage, and that all connectors are tight.
6. Do not allow horseplay on or under the bed and prohibit jumping on the bed.
7. Always use the ladder for entering and leaving the upper bunk.
8. Do not use substitute parts. Contact the manufacturer or dealer for replacement parts.
9. Use of a night light may provide added safety precaution for a child using the upper bunk.
10. Always use guardrails on both long sides of the upper bunk. If the bunk bed will be placed next to the wall, the guardrail that runs the full length of the bed should be placed against the wall to prevent entrapment between the bed and wall.
11. The use of water or sleep flotation mattresses is prohibited.
12. **STRANGULATION HAZARD** - Never attach or hang items to any part of the bunk bed that are not designed for use with the bed; for example, but not limited to, hooks, belts and jump ropes.
13. Keep these instructions for future reference.

⚠ WARNING	
<ul style="list-style-type: none">• INGESTION HAZARD: This product contains a button cell or coin battery.• DEATH or serious injury can occur if ingested.• A swallowed button cell or coin battery can cause Internal Chemical Burns in as little as 2 hours.• KEEP new and used batteries OUT OF REACH of CHILDREN• Seek immediate medical attention if a battery is suspected to be swallowed or inserted inside any part of the body.	
⚠ WARNING	
<ul style="list-style-type: none">• INGESTION HAZARD: This product contains a button cell or coin battery.• DEATH or serious injury can occur if ingested.• A swallowed button cell or coin battery can cause Internal Chemical Burns in as little as 2 hours.• KEEP new and used batteries OUT OF REACH OF CHILDREN• Seek immediate medical attention if a battery is suspected to be swallowed or inserted inside any part of the body.	