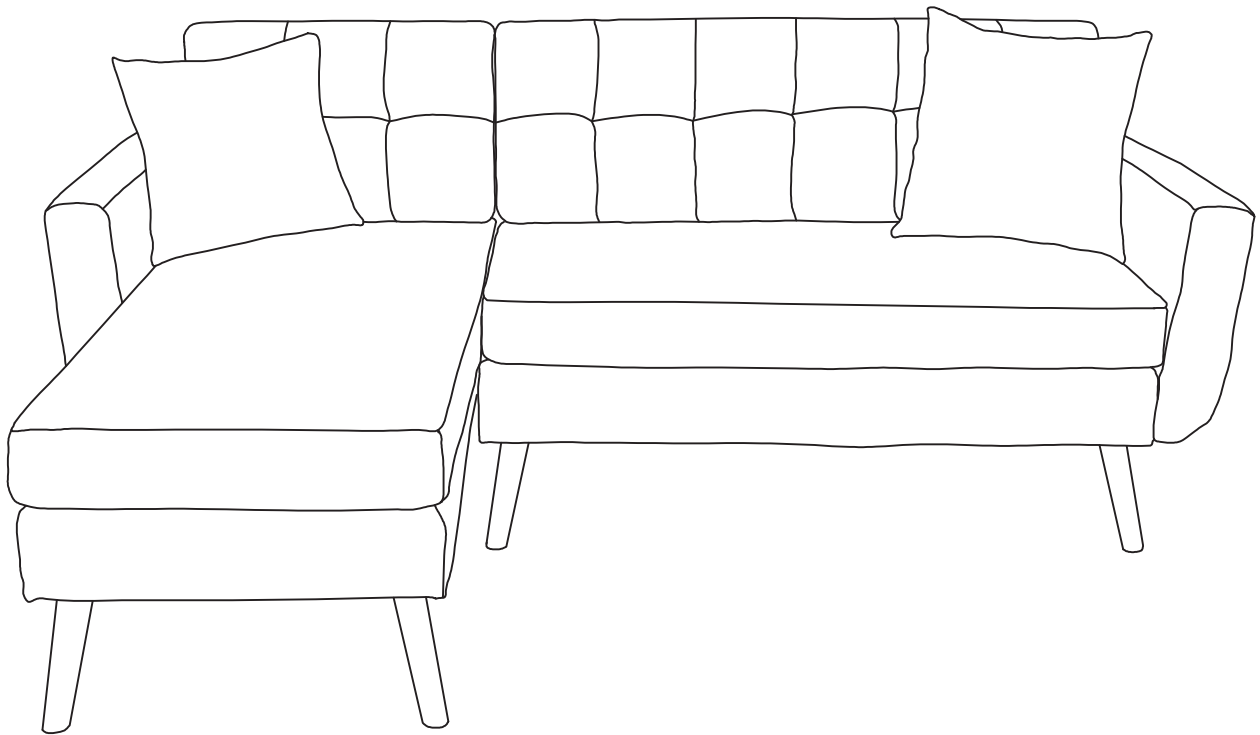


# ASSEMBLY INSTRUCTIONS



TIME



2 OF PEOPLE



DIFFICULTY

# NOTICE

## Instruction Booklet - Important Safety Information

Thank you for choosing our product. Please review this booklet carefully for essential safety information and keep it for future reference.

- ① Upon receiving the product, ***ensure all parts are present and intact*** before proceeding with installation. Follow the entire installation instructions provided.
- ② During installation, exercise caution and refrain from immediately tightening screws. Secure all screws to 80% before final tightening.

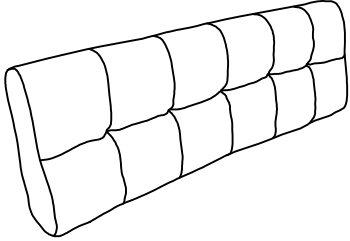
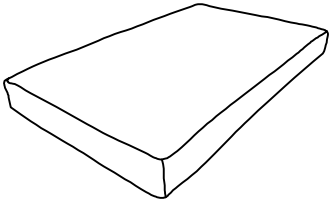
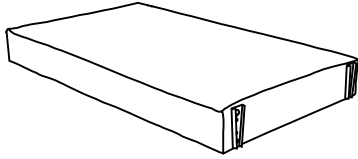
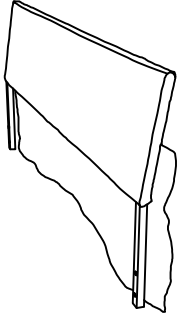
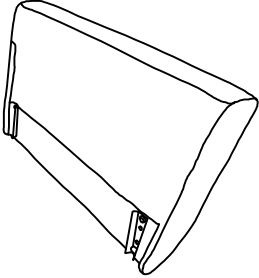
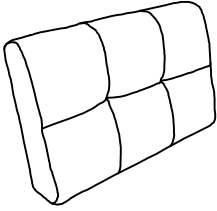
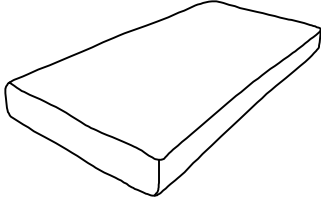
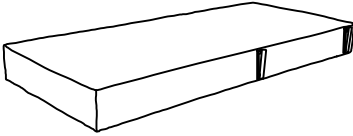

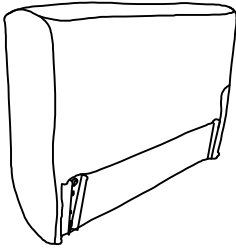
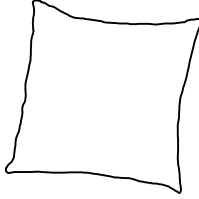
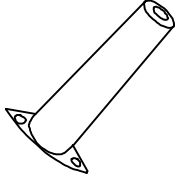
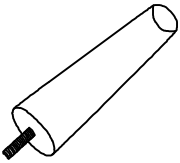
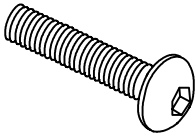
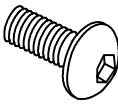


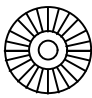
Returns are accepted only for items in their ***original, unopened condition***.



**Before installation, please check that the parts are all included !**

# Carton

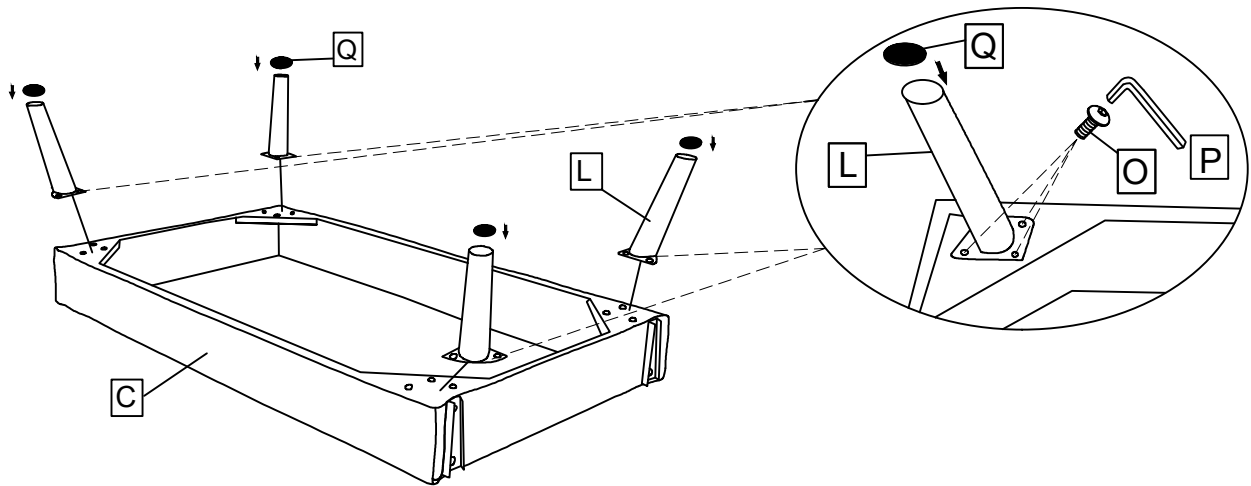
## Materials

			
A*1 Loveset Back Cushion	B*1 Loveseat Seat Cushion	C*1 Loveseat Base Frame	D*1 Loveseat Backrest
			
E*1 Armrest	F*1 Chaise Back Cushion	G*1 Chaise Seat Cushion	H*1 Chaise Base Frame
			
I*1 Chaise Backrest	J*1 Armrest	K*2 Pillow	L*6 Wooden Leg
	 6*35mm	 6*20mm	
M*2 Wooden Leg	N*8	O*18	P*1
			
Q*8 Non-slip Pad	R*2 Plastic Washer		

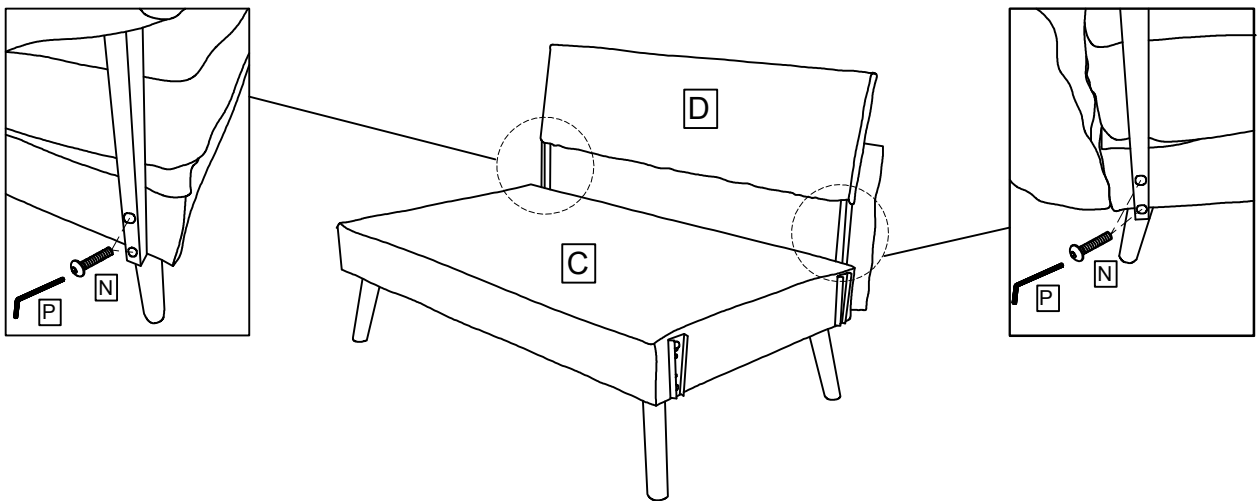
# Installation Steps

## Materials

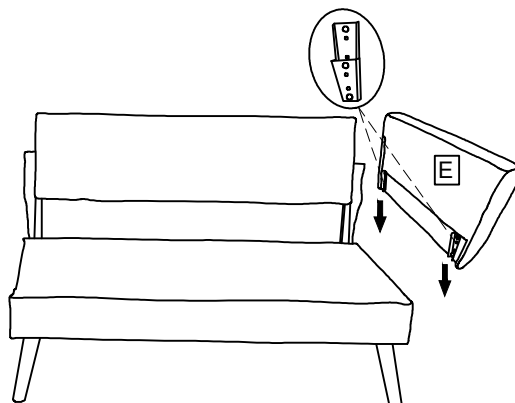
	A*1	B*1	C*1	D*1	E*1	K*1
L*4	N*4	O*12	P*1	Q*4		



**Step 1** Locate screw holes and install four legs (L\*4).



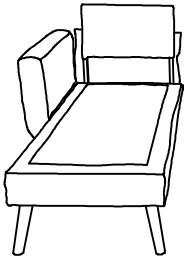
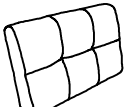



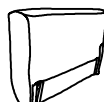








**Step 2** Insert 4 screws separately and tighten.

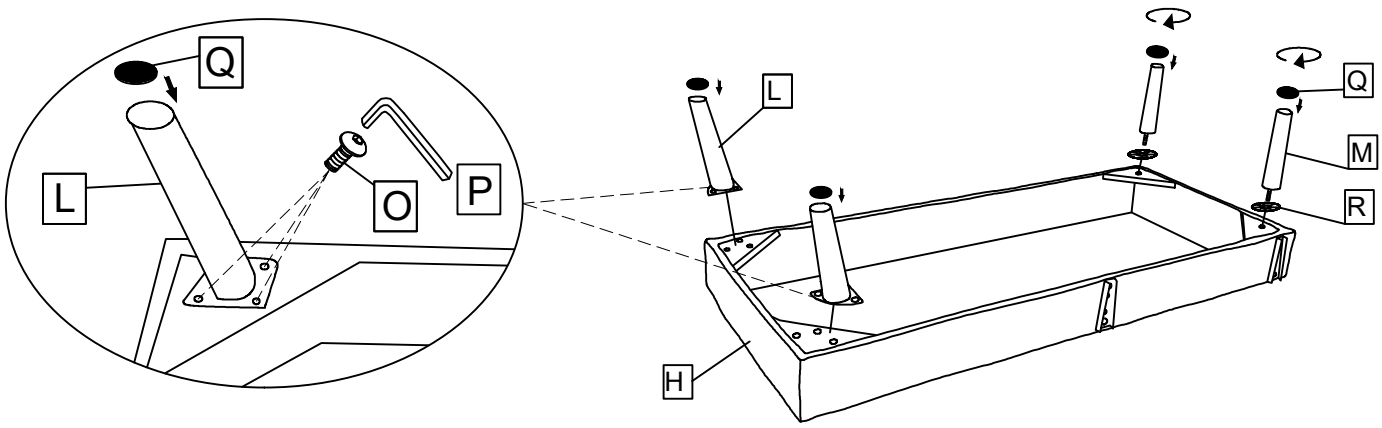


**Step 3** Align the armrest E on the seat base frame C and plug them in.

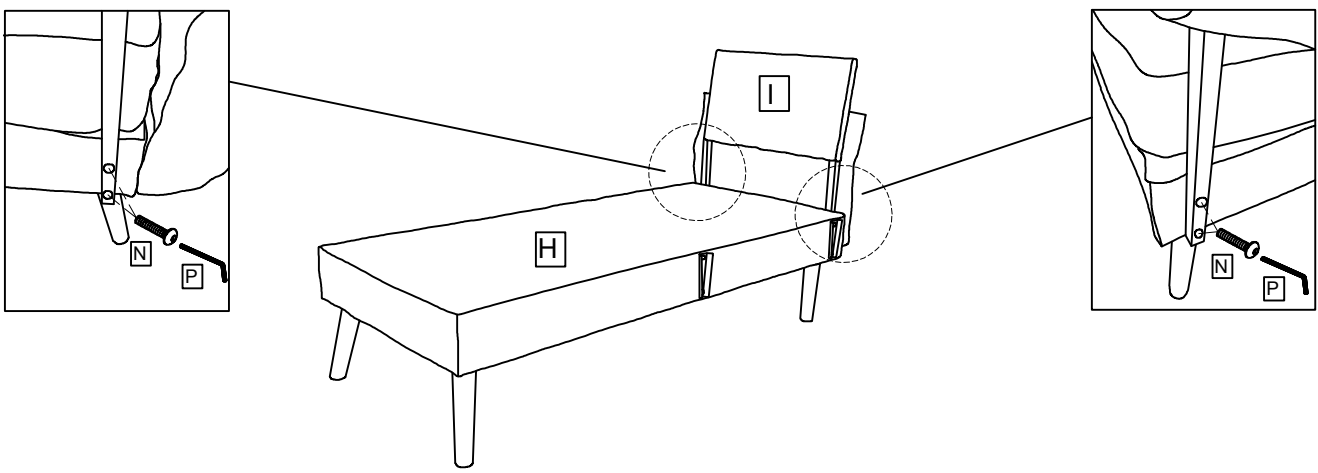
# Installation Steps

## Materials

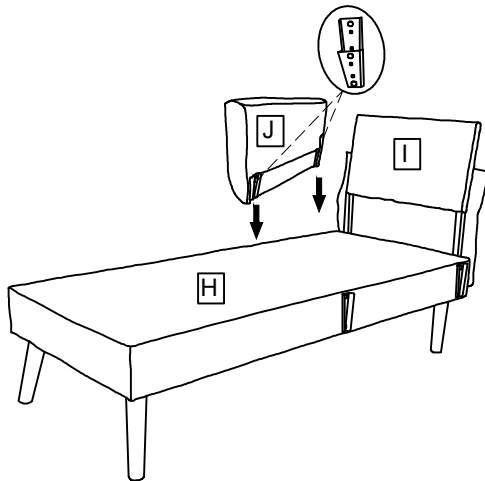
							
	F*1	G*1	H*1	I*1	J*1	K*1	L*2
		 6*35mm	 6*20mm				
M*2	N*4	O*6	P*1	Q*4	R*2		



**Step 4** Locate screw holes and install four legs (L\*2,M\*2).



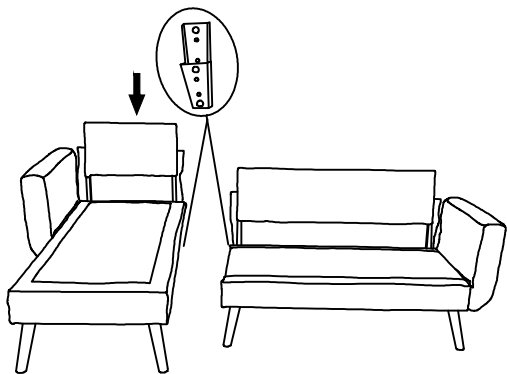
**Step 5** Insert 4 screws separately and tighten.



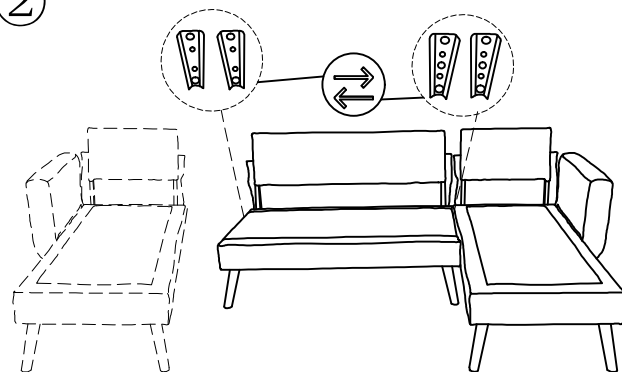
**Step 6** Align the armrest J on the seat base frame H and plug them in.

# Installation Steps

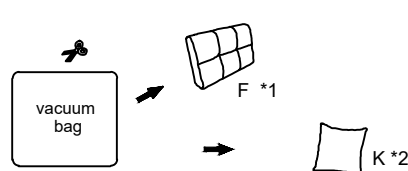
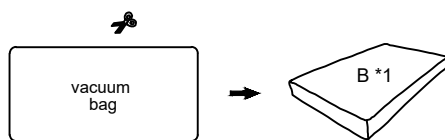
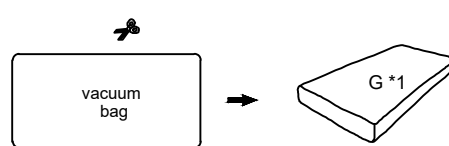
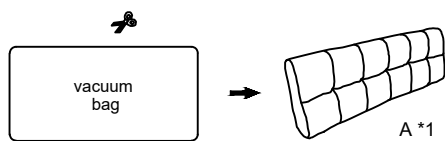
①



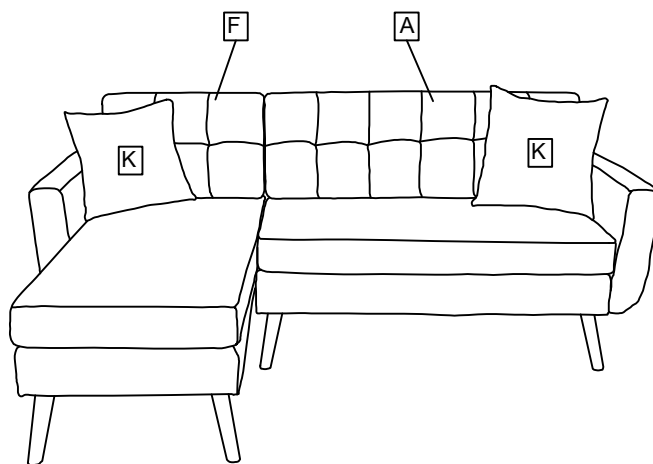
②



**Step 7** If your concubine is on the other side, you need to replace the left and right connectors of the double sofa. Figure 2.

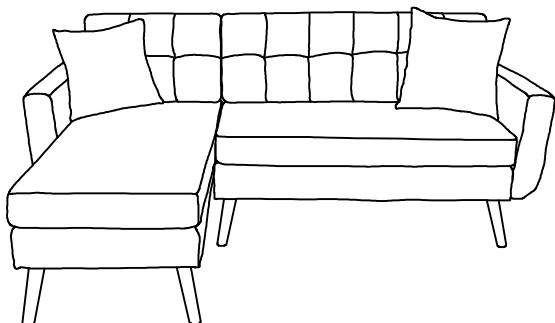


**Step 8** Cut the vacuum bag. The cushions spring back quickly and 24-48 hours to fully fluff.

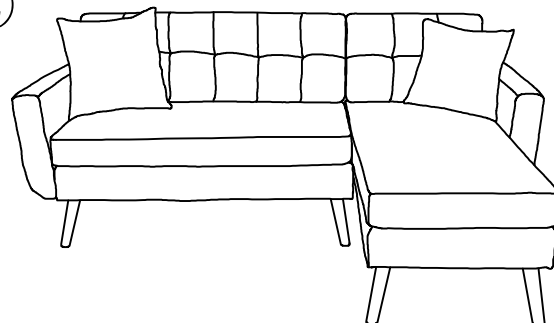


**Step 9** Put on the seat cushion (B,G), put on the back cushion (A,F) and the pillow K.

①



②



**Step 10** The sofa and chaise longue can be interchanged left and right.

# Frequently Asked Questions

We understand that receiving damaged or defective products can be disappointing, and we're here to assist you every step of the way. Here's how to address common concerns and initiate a damage claim:

## **1.What should I do if my shipment is damaged or products received are defective?**

We're genuinely sorry to hear about any inconvenience caused. Please reach out to us promptly, and our team will prioritize resolving the matter swiftly and effectively, please retain the original box in case a return is required.

## **2.Can I return the product if I'm not satisfied?**

While we uphold stringent quality standards and collaborate with experienced manufacturers, we acknowledge that dissatisfaction may arise. If you're still unsatisfied, of receiving the product. Simply message us with your reasons for return, and we'll facilitate the process.