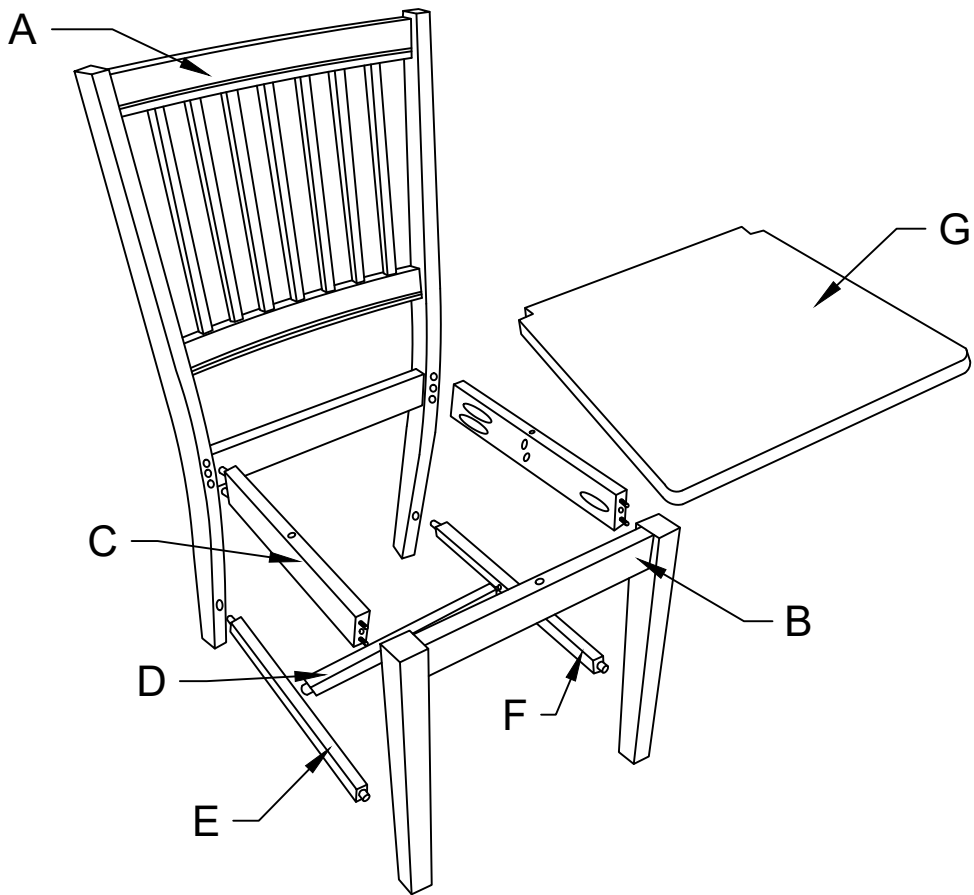




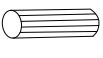


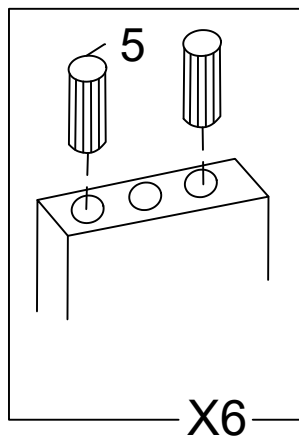
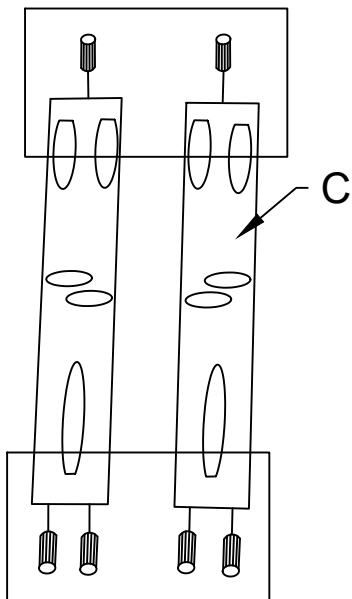
A	430 x 35 x 890mm
B	400 x 38 x 420mm
C	326 x 20 x 60mm
D	335 x 20 x 25mm
E	370 x 20 x 25mm
F	370 x 20 x 25mm
G	415 x 435 x 19mm



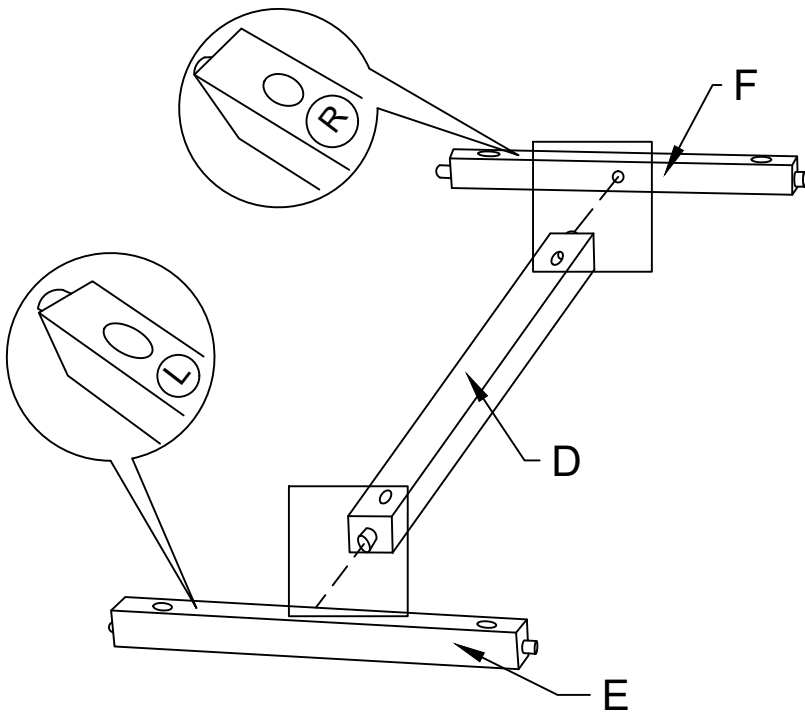
<p>1x6 ø6x50mm</p> 	<p>2x6 ø8mm</p> 	<p>3x1 ø4mm</p> 	<p>4x9 ø4x32mm</p> 	<p>5x6 ø8x30mm</p> 
--	---	---	---	--

1

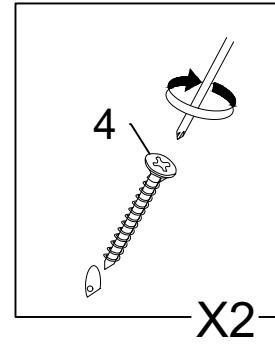
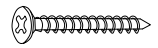
5x6
ø8x30mm



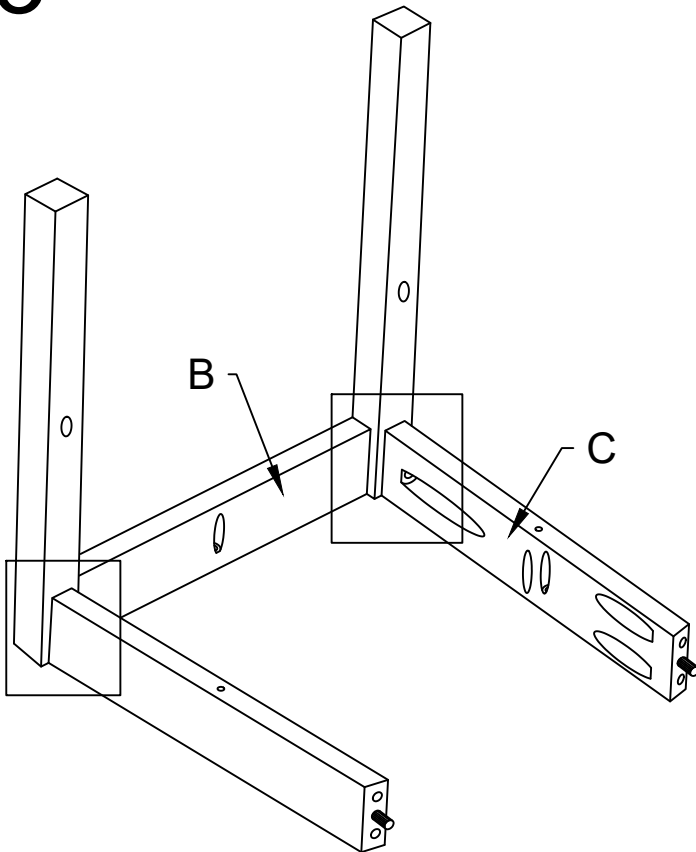
2



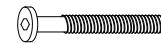
4x2
ø4x32mm



3



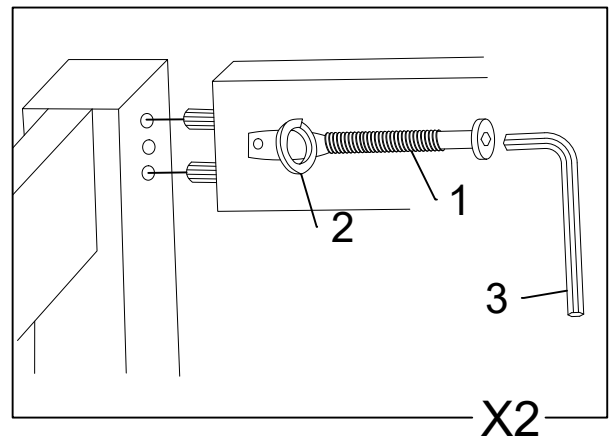
1x2
ø6x50mm



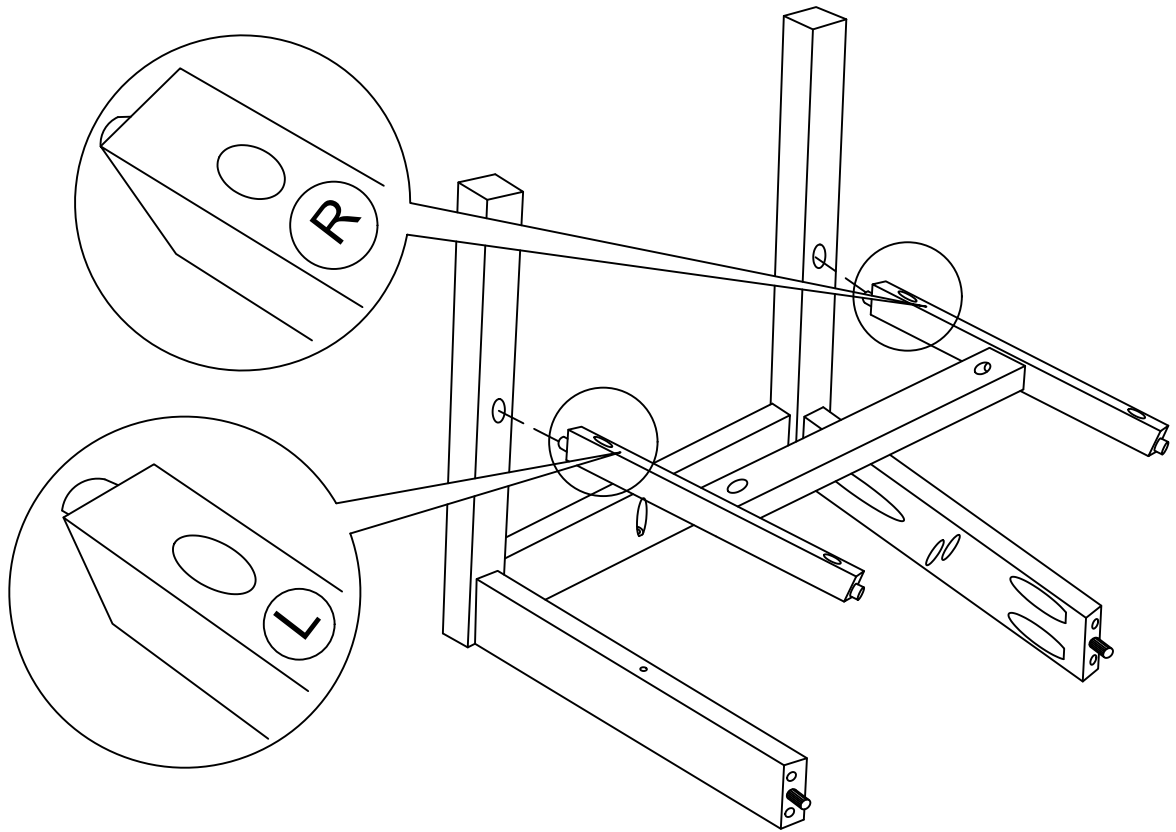
2x2
ø8mm



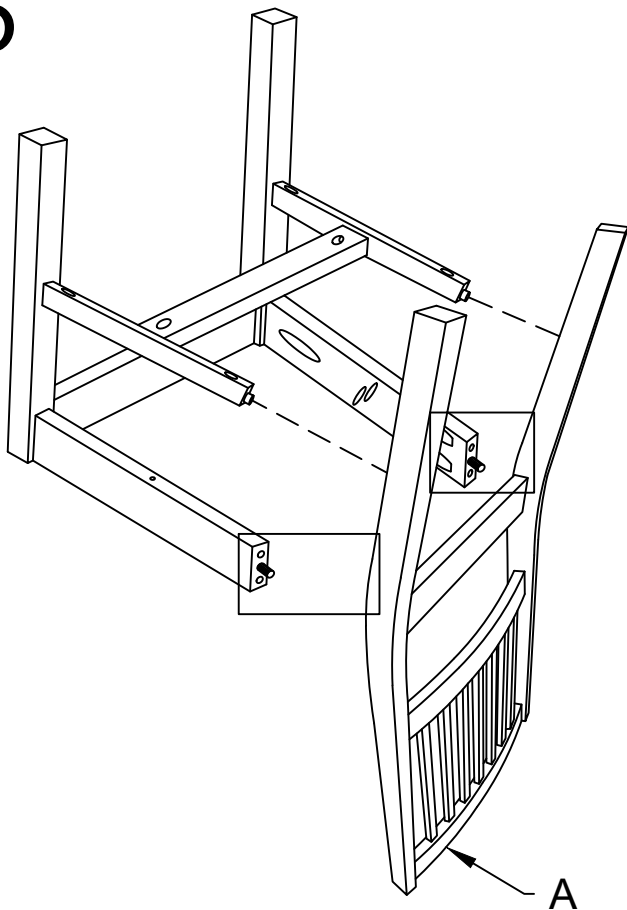
3x1
ø4mm






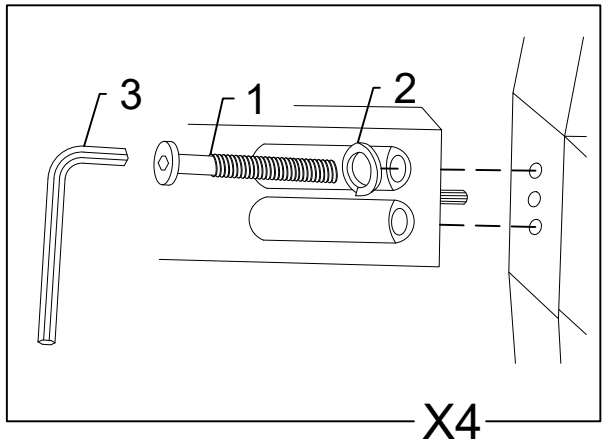
4



5

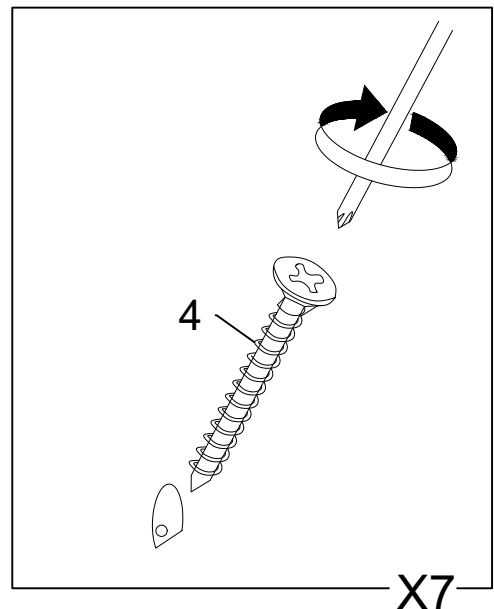
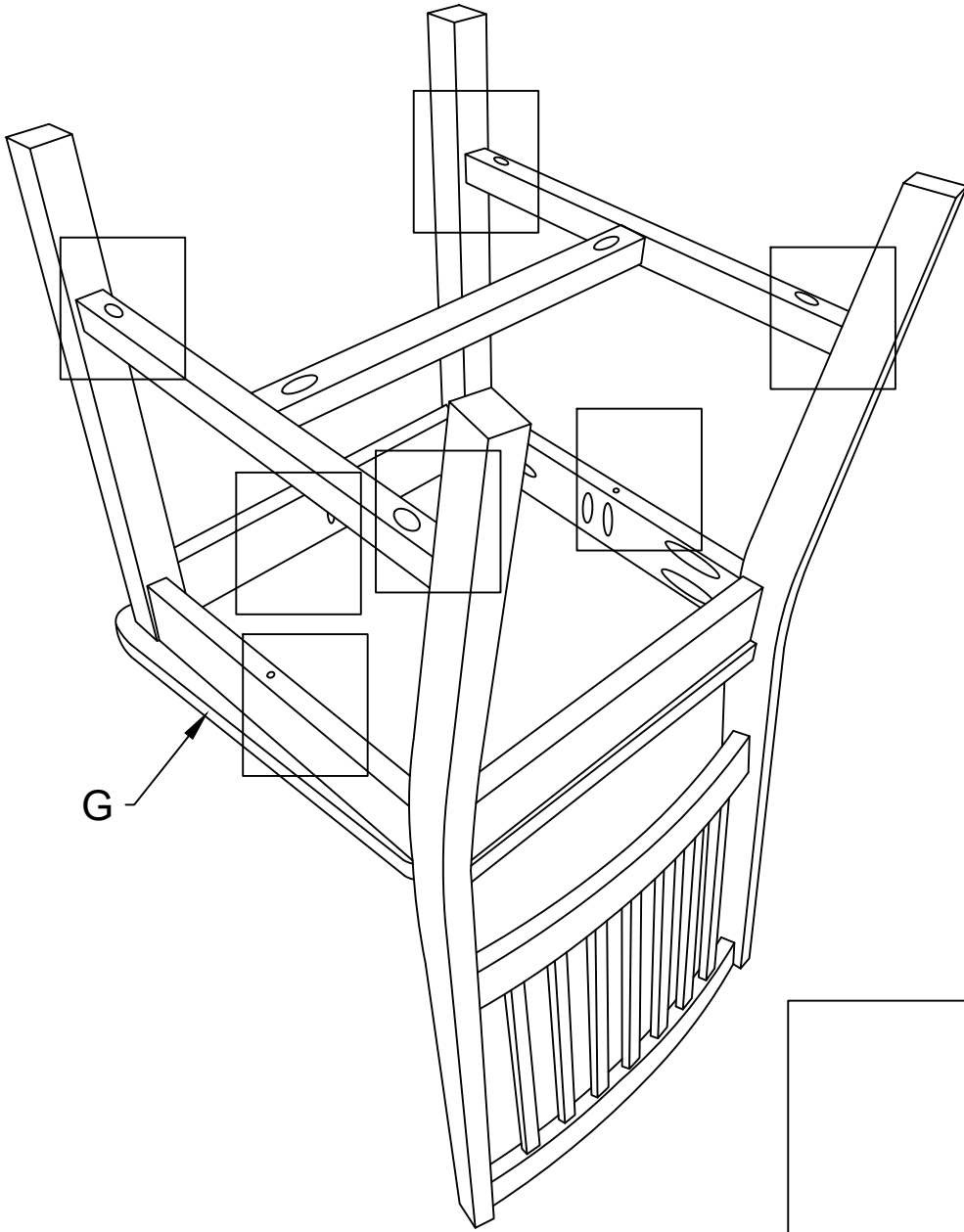
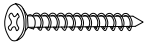


1x4 ø6x50mm	2x4 ø8mm
	
3x1 ø4mm	
	



6

4x7
ø4x32mm



4

X7

An inset diagram showing a close-up of a screw being inserted into a hole in a wooden piece. A curved arrow indicates the direction of rotation. The number '4' is placed next to the screw, and 'X7' is at the bottom right of the inset.