
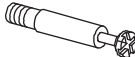




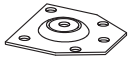
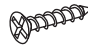


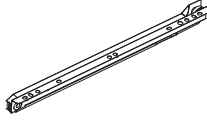
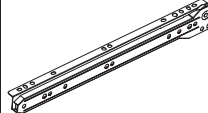
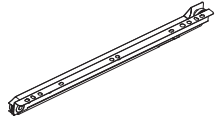
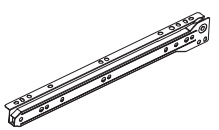
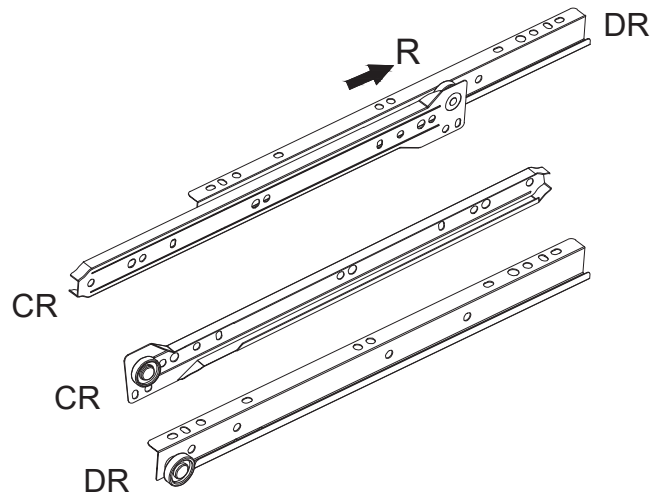
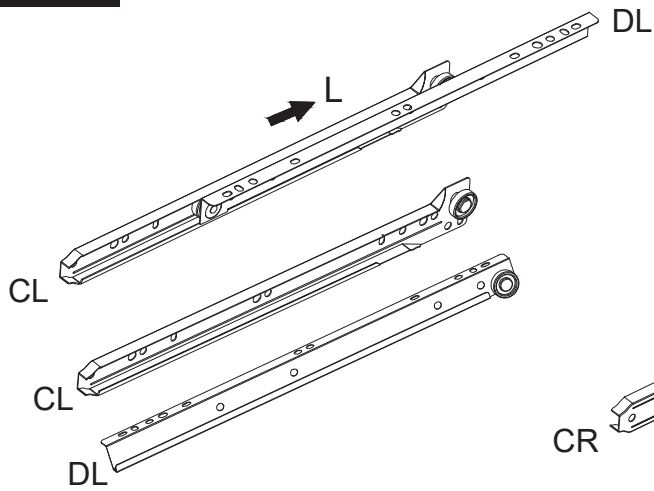


A×12PCS	B×20PCS	C×8PCS	D×20PCS	E×3PCS	F×3PCS
 3.5×35mm	 M6 x 35mm	 Ø6×30mm	 Ø15×9mm	 M4×15mm	
G×4PCS	H×44PCS	I×1PC	J×12PCS	L×3PCS	R×3PCS
	 Ø3.5×12mm	 M4			


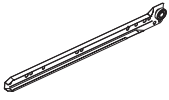
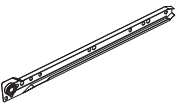
# 1.

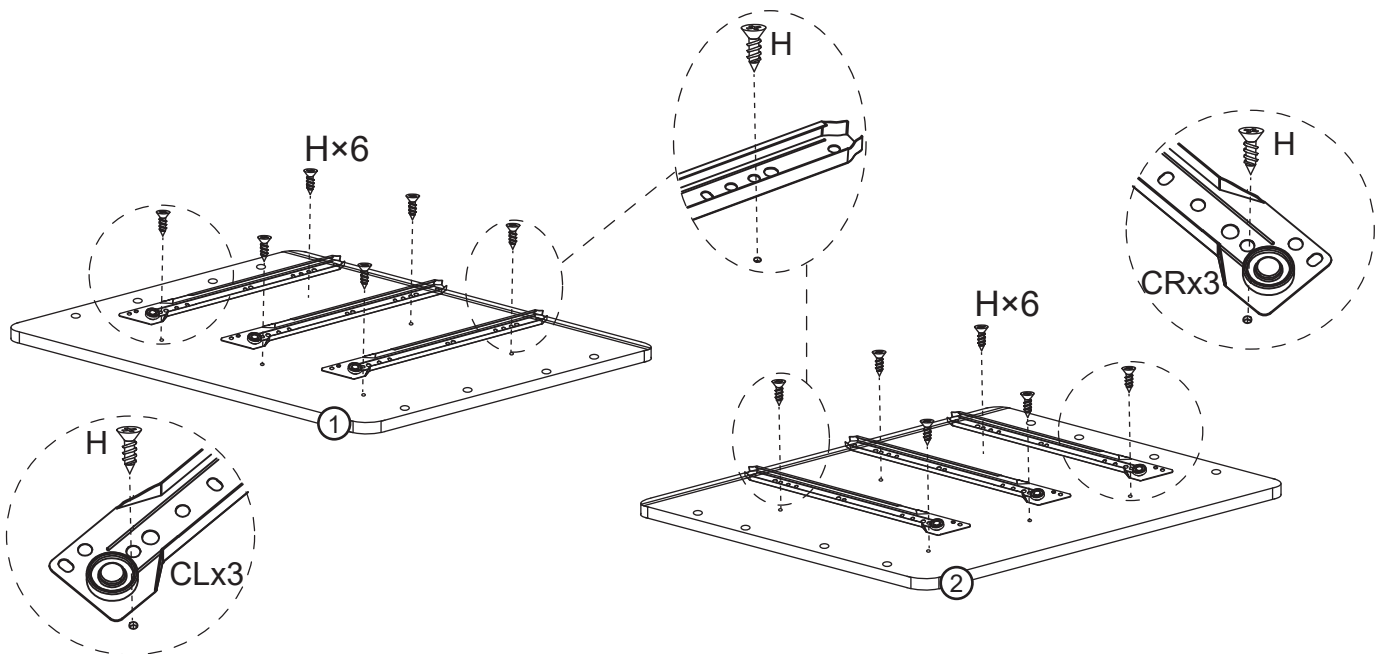
L×3PCS	R×3PCS
	



×3

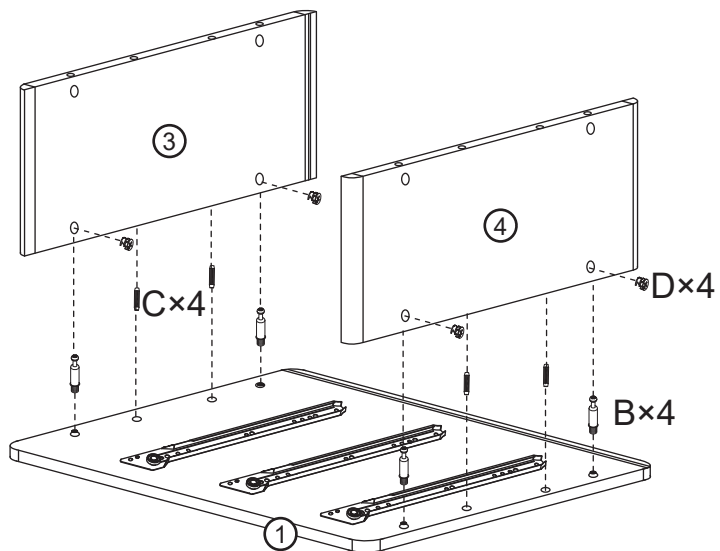
# 2.

H×12PCS	CL×3PCS	CR×3PCS
 Ø3.5×12mm		

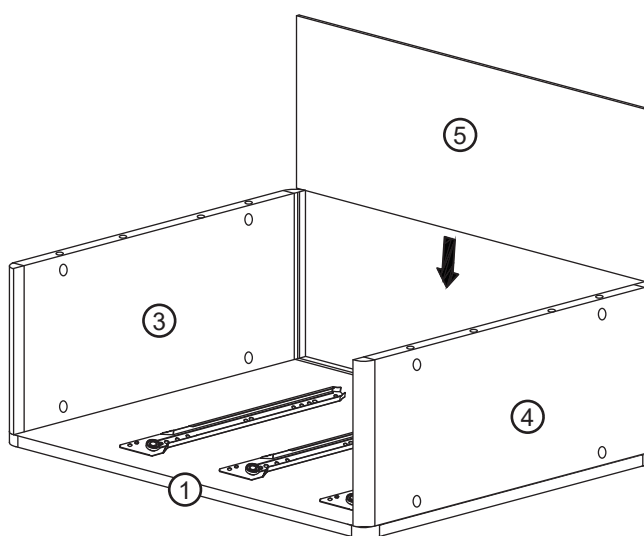


3.

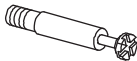


B×4PCS	C×4PCS	D×4PCS
		
M6 x 35mm	Ø6×30mm	Ø15×9mm

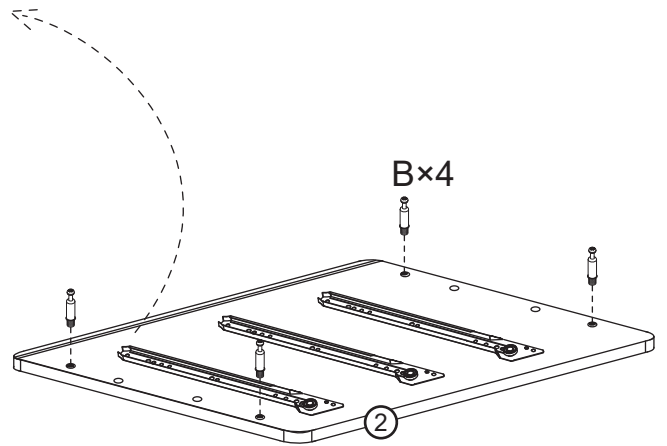
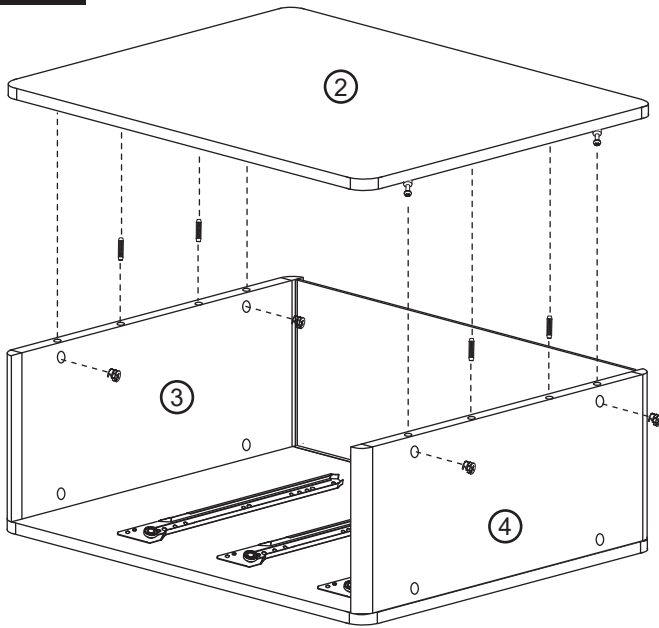


4.

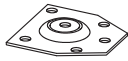



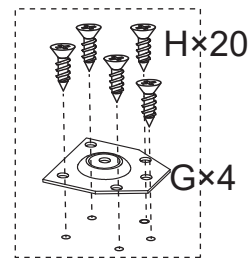
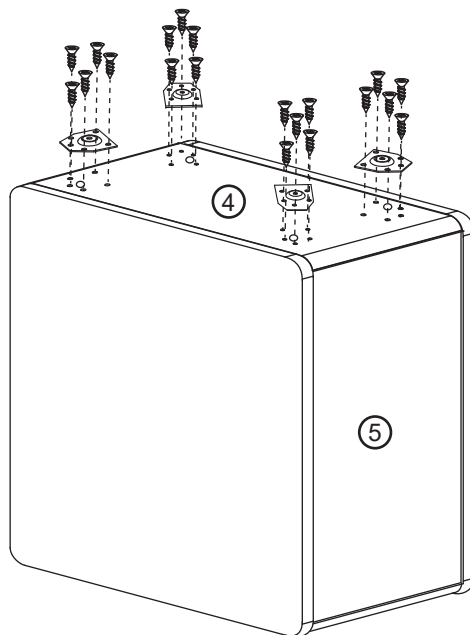
5.

B×4PCS	C×4PCS	D×4PCS
		
M6 x 35mm	Ø6×30mm	Ø15×9mm

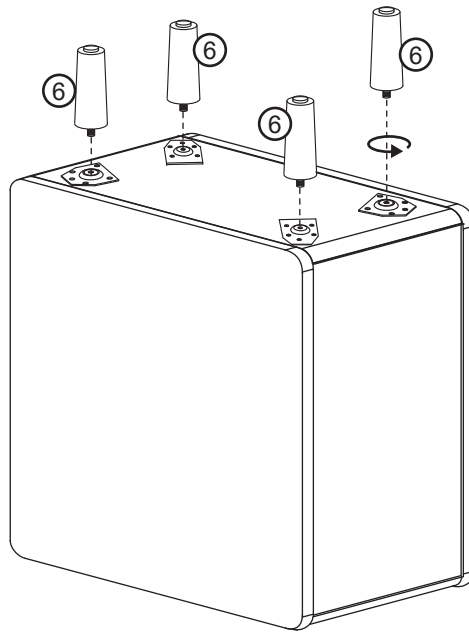







6.

G×4PCS	H×20PCS
	
	Ø3.5×12mm

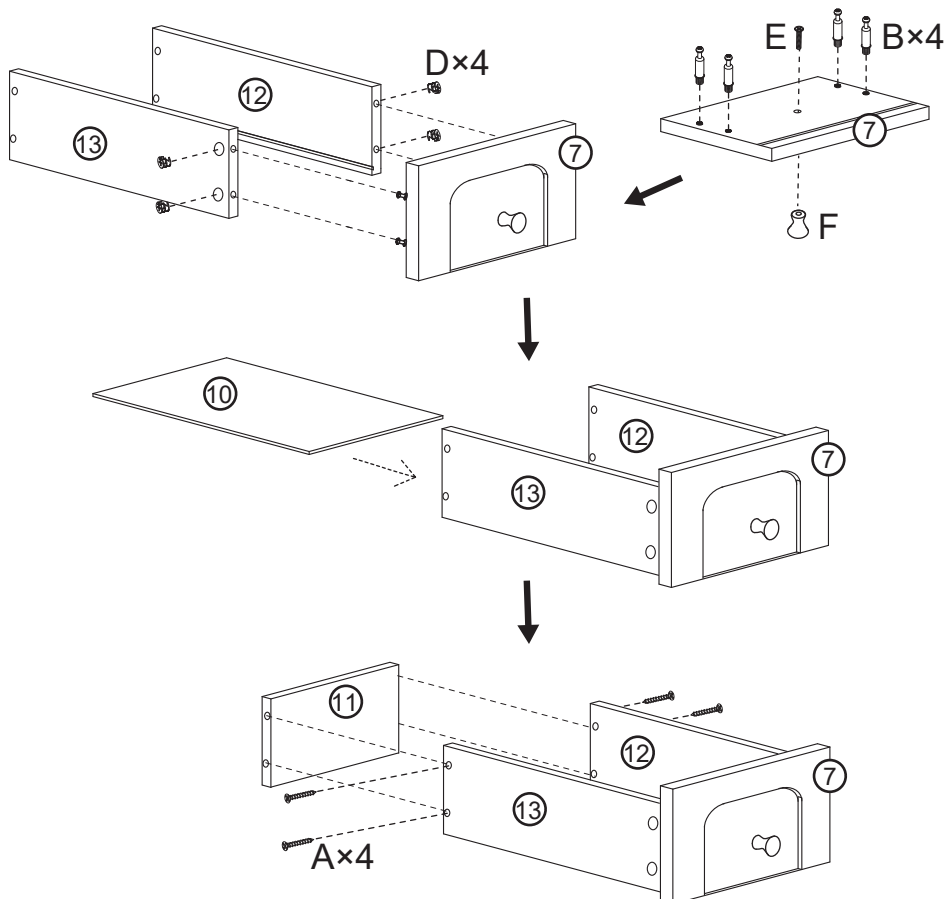


7.


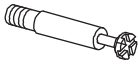





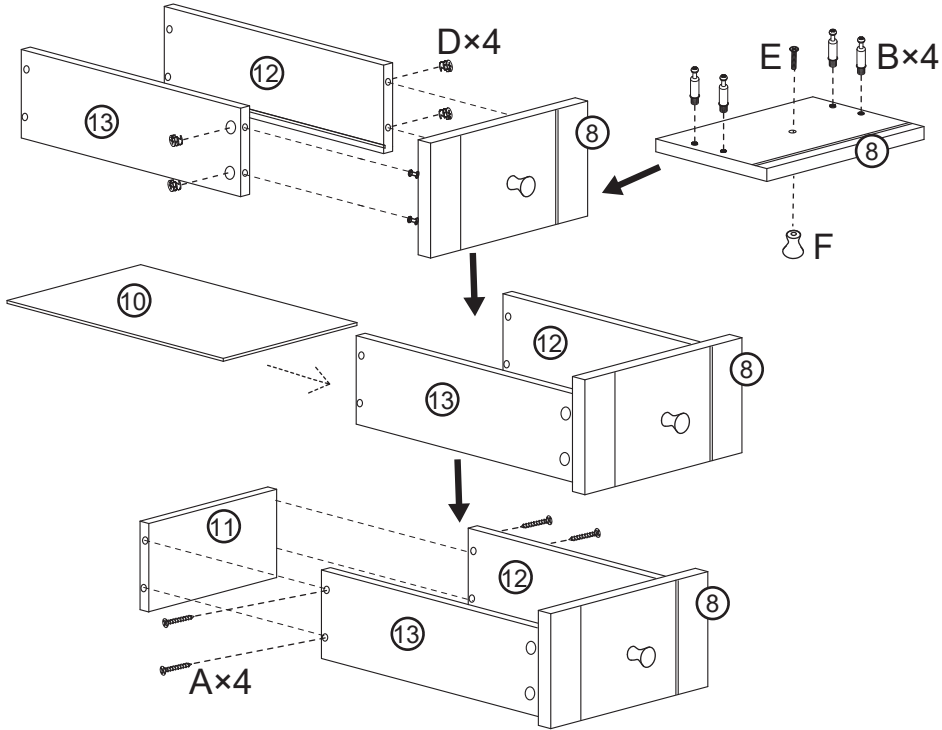
A×4PCS	B×4PCS	D×4PCS	E×1PC	F×1PC
				
3.5×35mm	M6 x 35mm	Ø15×9mm	M4×15mm	

8.


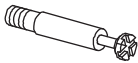





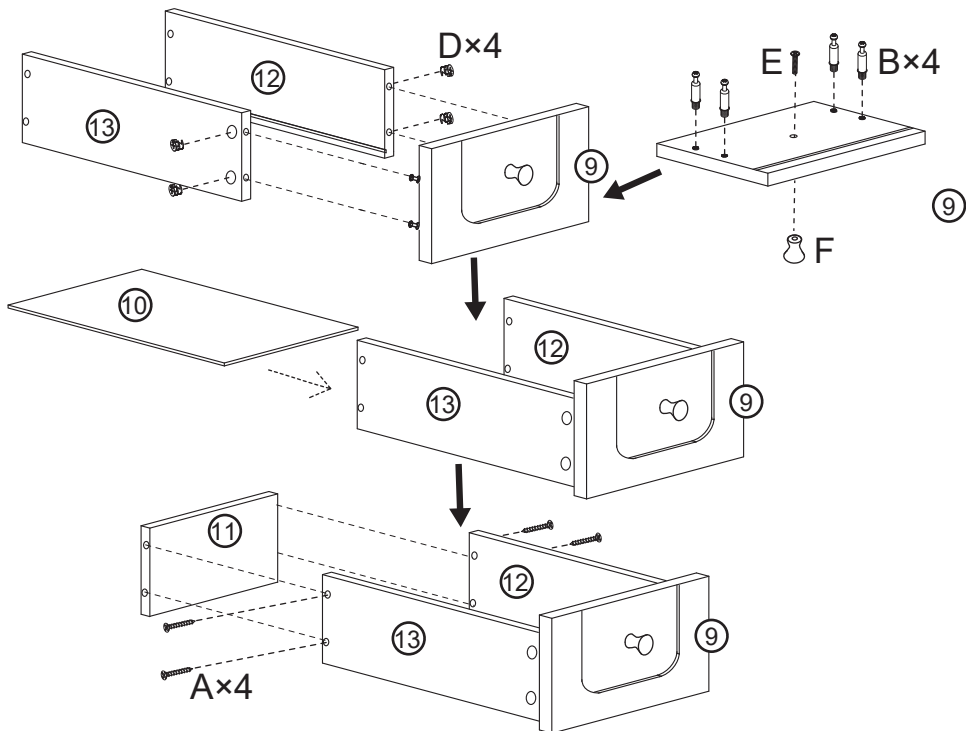
9.

A×4PCS	B×4PCS	D×4PCS	E×1PC	F×1PC
				
3.5×35mm	M6 x 35mm	Ø15×9mm	M4×15mm	

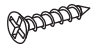
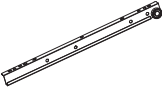
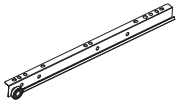


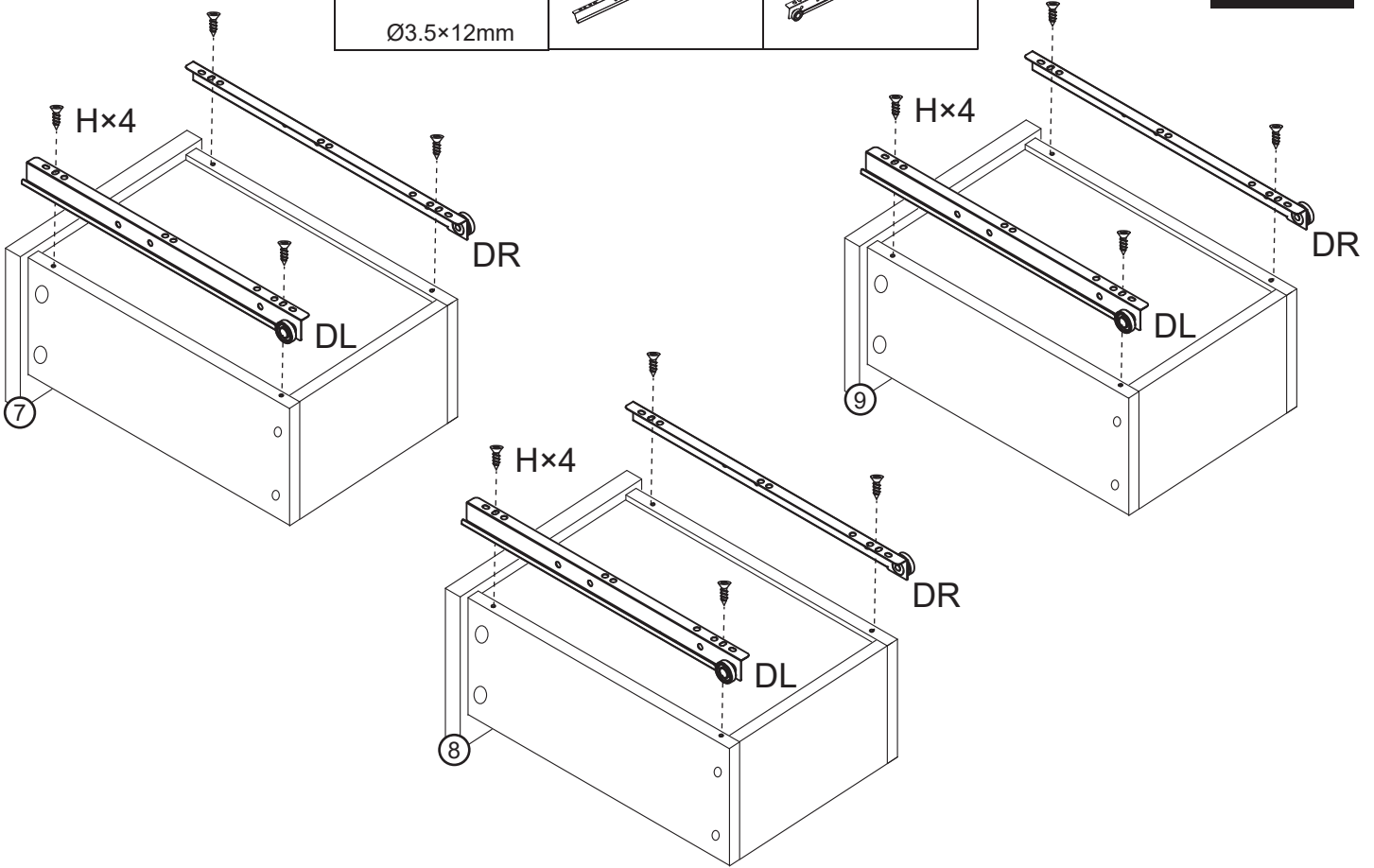
10.

A×4PCS	B×4PCS	D×4PCS	E×1PC	F×1PC
				
3.5×35mm	M6 x 35mm	Ø15×9mm	M4×15mm	



# 11.

H×12PCS  Ø3.5×12mm	DL×3PCS 	DR×3PCS 
---	--	---



# 12.

