


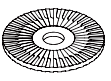


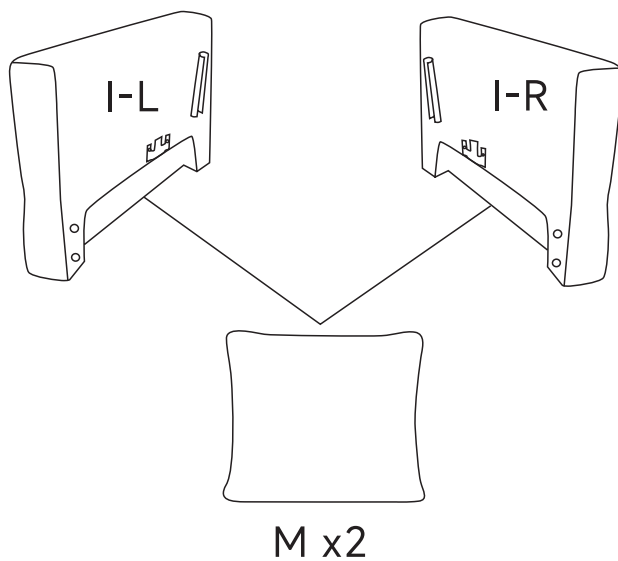
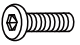




<p>A M8X20mm</p>  <p>X6</p>	<p>B</p>  <p>X6</p>	<p>C</p>  <p>X1</p>	<p>D</p>  <p>X4</p>	<p>E</p>  <p>X4</p>	<p>F</p>  <p>X1</p>
---	---	---	---	---	---

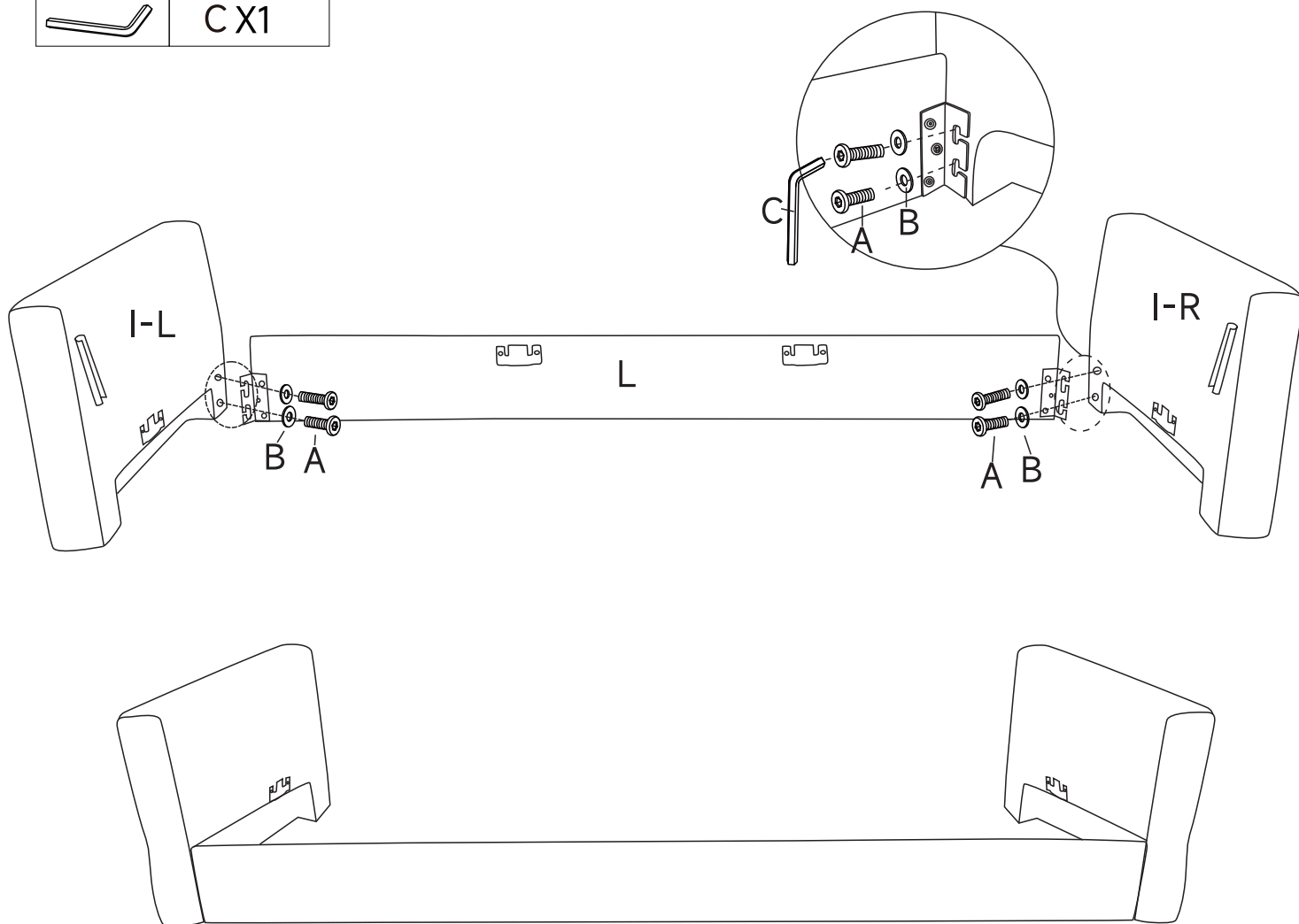
STEP 1








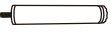
STEP 2

	A X4
	B X4
	C X1

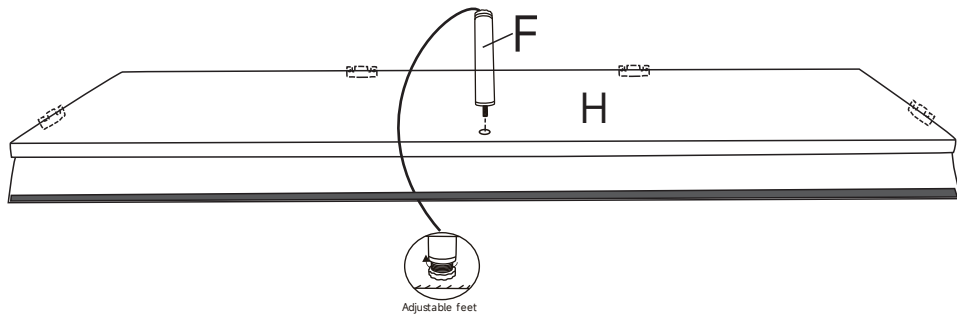
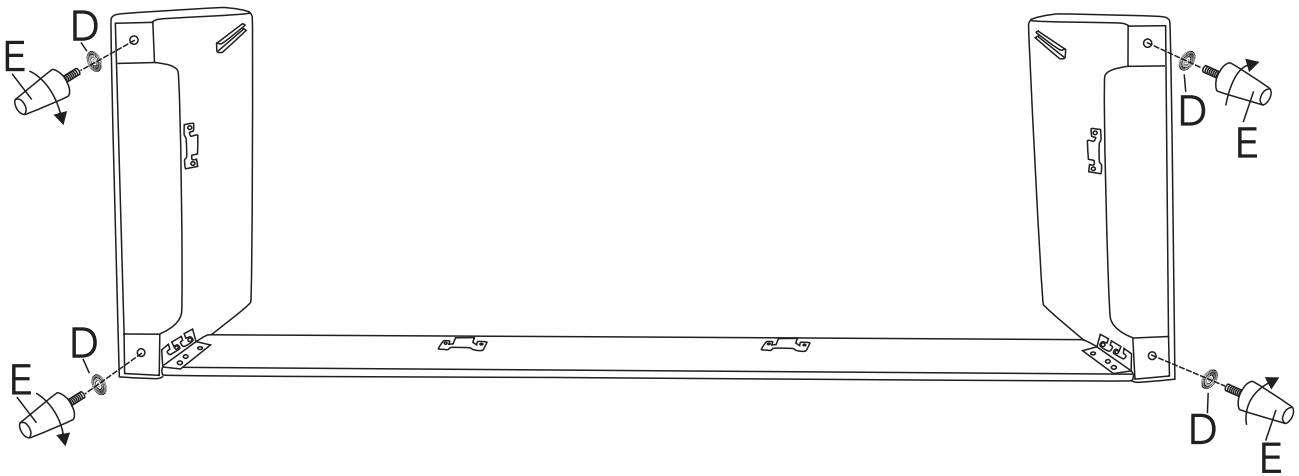
Asembling the seat front board



STEP 3

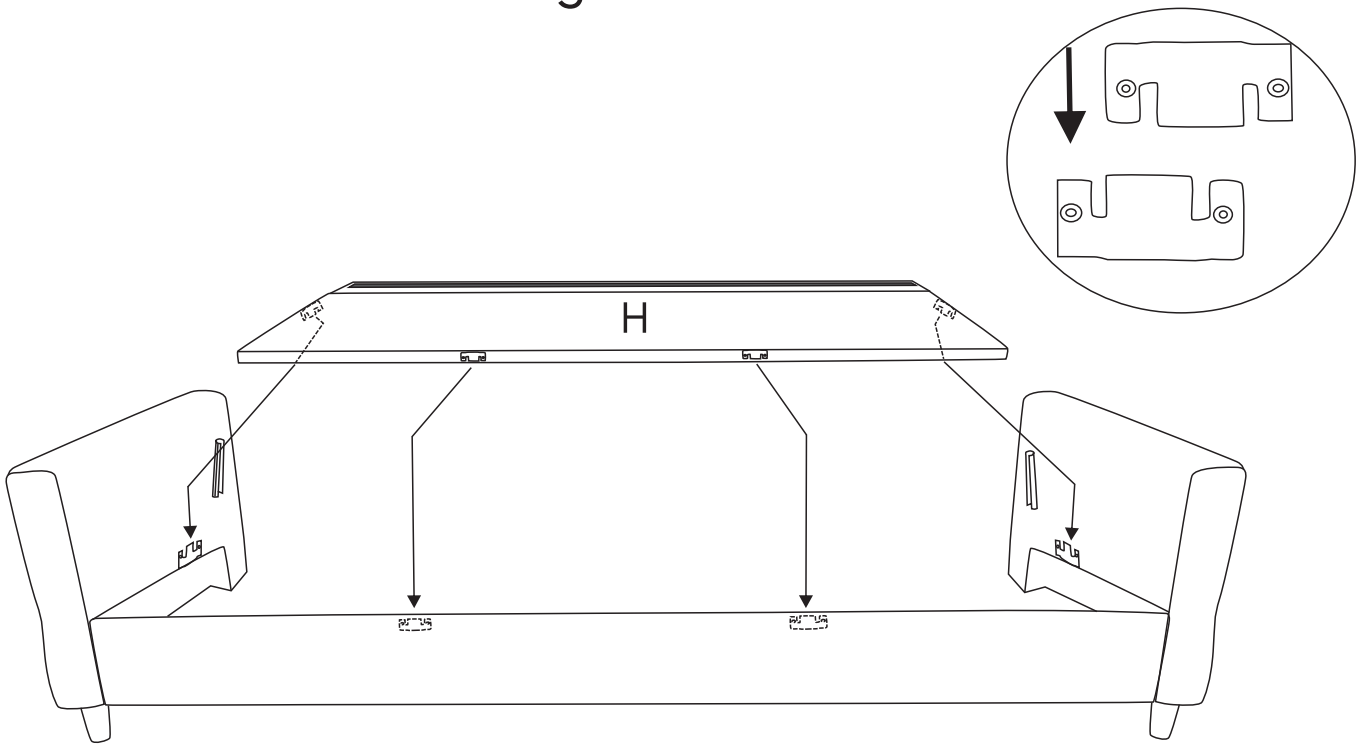
	Ax2
	Bx2
	CX1
	Dx4
	Ex4
	FX1

Assembling the feet



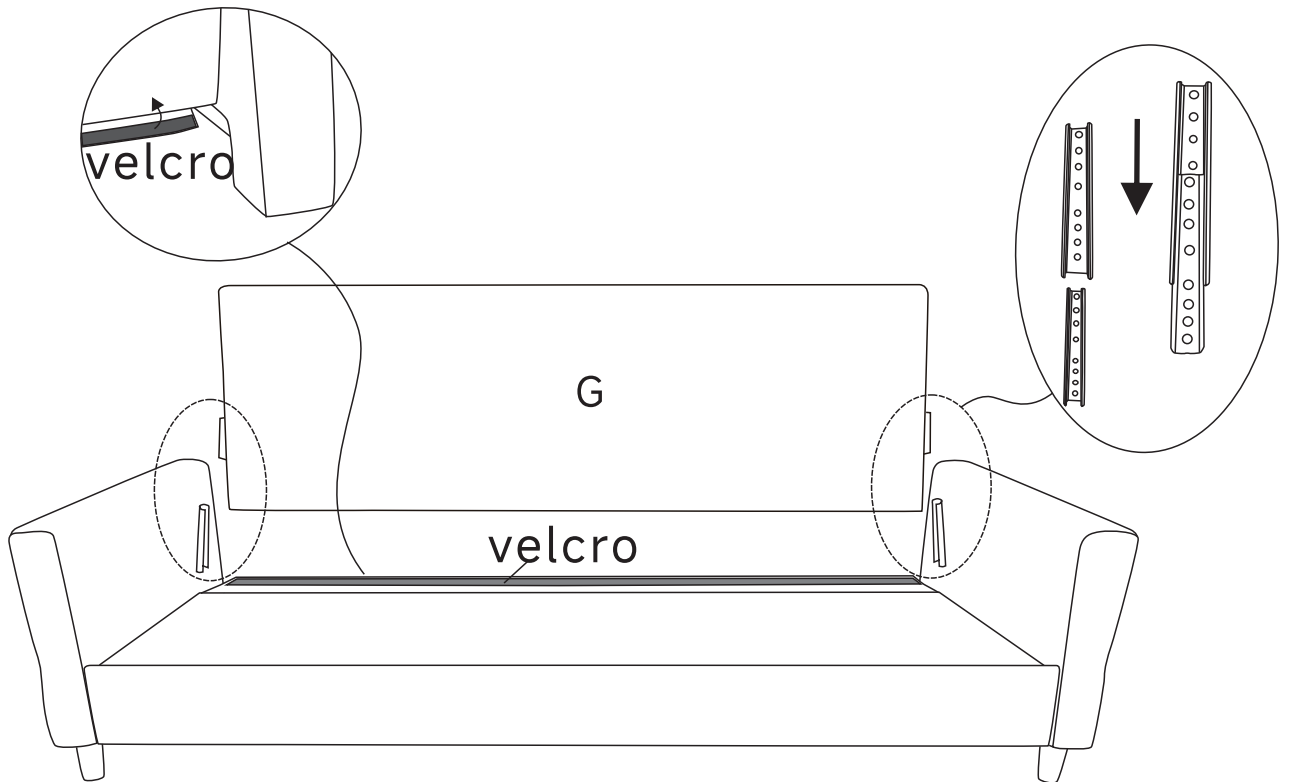
STEP 4

Assembling the seat frame



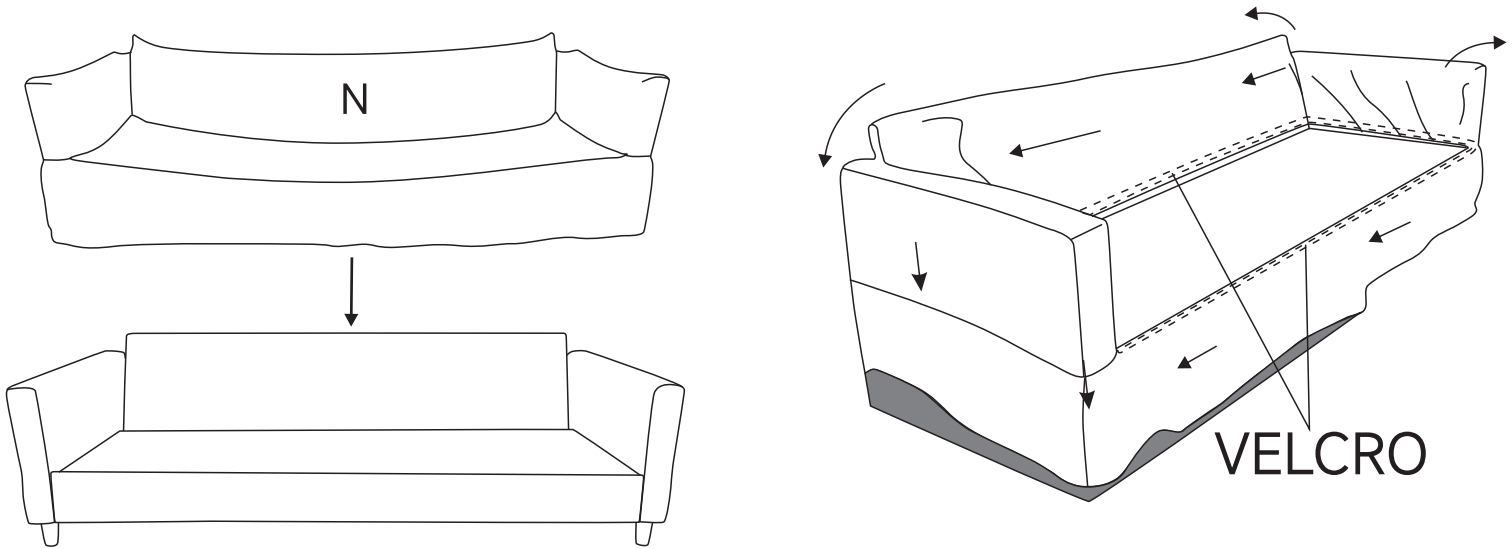
STEP 5

Assembling the back frame



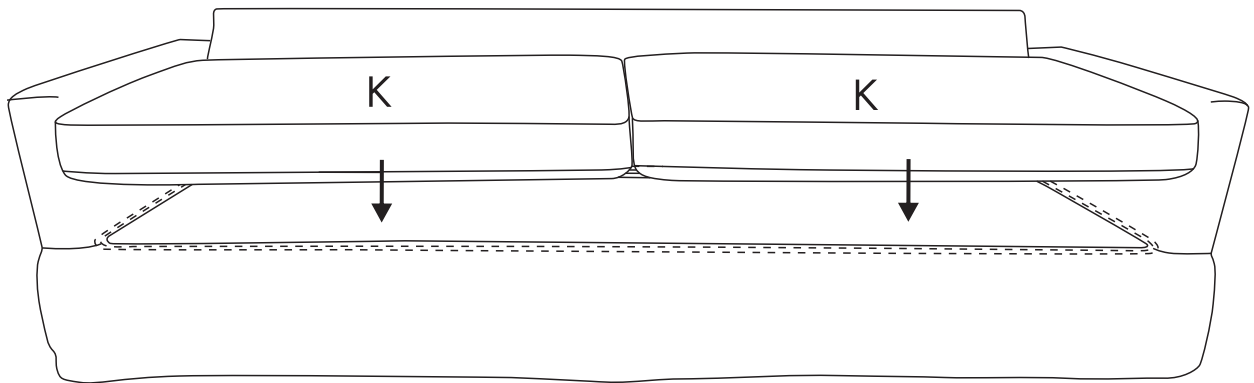
STEP 6

Upholstering the fabric cover

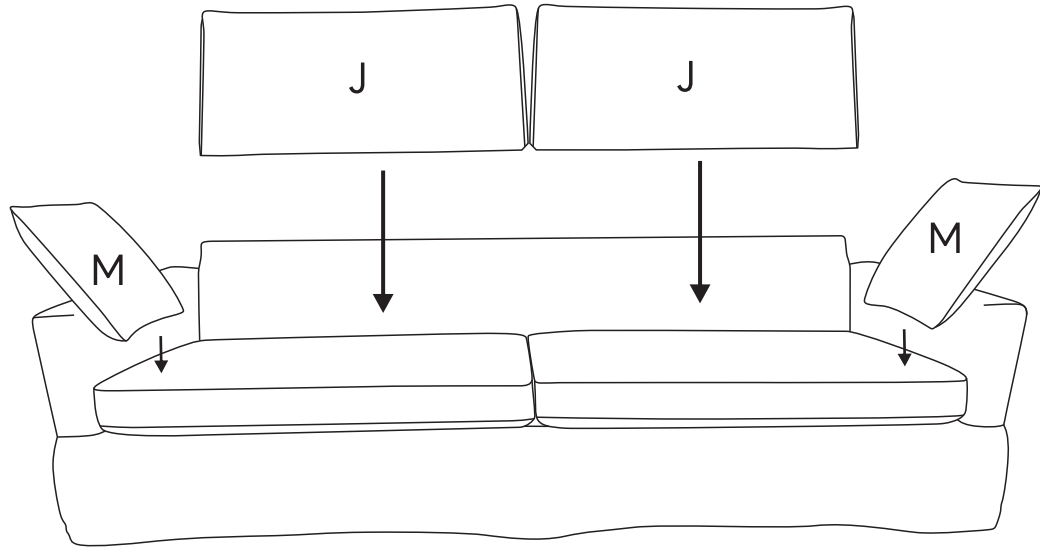


STEP 7

Assembling seat cushions



STEP 8 Assembling back cushions and throw pillows



STEP 9

