

ROUND TEAK FOLDING TABLE









Review all assembly and care instructions carefully before using this product. Save this manual for future reference.
Assemble components on a soft, clean surface to avoid damaging the finish.



200
pounds
91 kg
Weight Capacity



Inspect packaging to ensure all parts are accounted for before disposing of packing materials.

No.	PARTS	QTY.
A	 Outside Leg	2
B	 Inside Leg	2
C	 Short Support Beam	1
D	 Long Support Beam	2
E	 Table Top	1
F	 M6x50mm Bolt	6
G	 Joint Connector Set	6
H	 Hex Key	1

! WARNING **!**

CHOKING HAZARD — This item contains small parts that can be swallowed. Keep children and pets away during assembly.

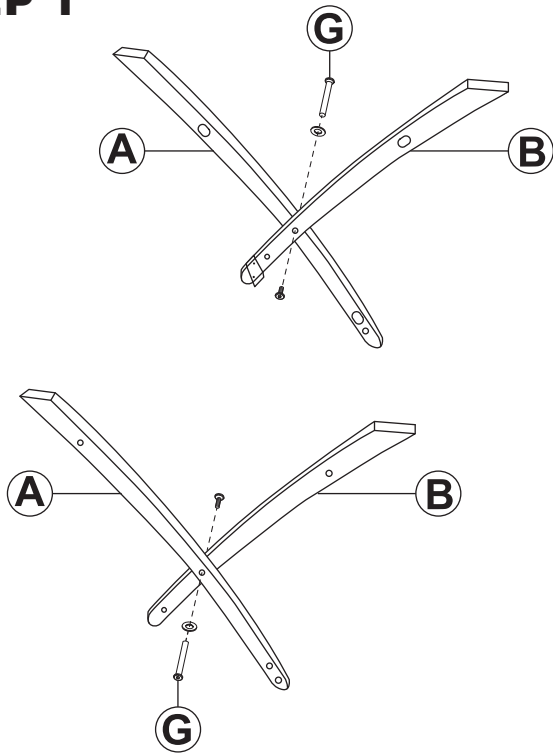
! HELPFUL HINT

This item was treated with teak oil at the factory. Apply a suitable wood oil at least once a year, or when the wood looks particularly dry. Left untreated, the wood will weather to a silvery gray color.

ASSEMBLY

STEP 1

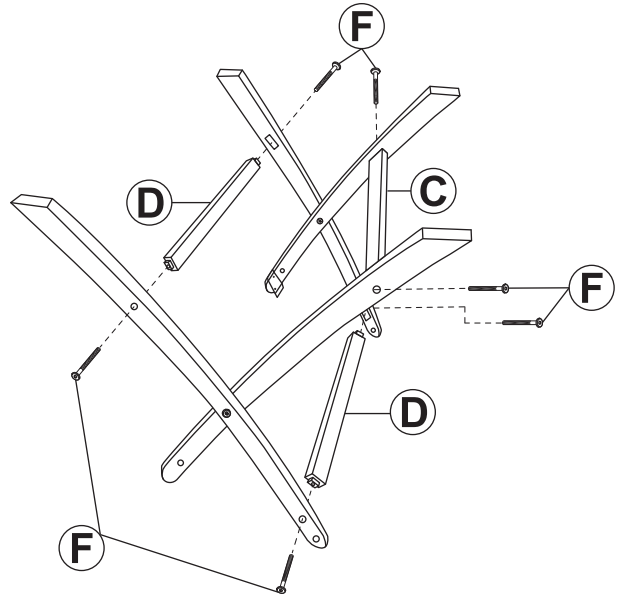
A: 2
B: 2
G: 2



NOTE: Ensure the metal tab on Leg B faces inward, as shown in the top drawing.

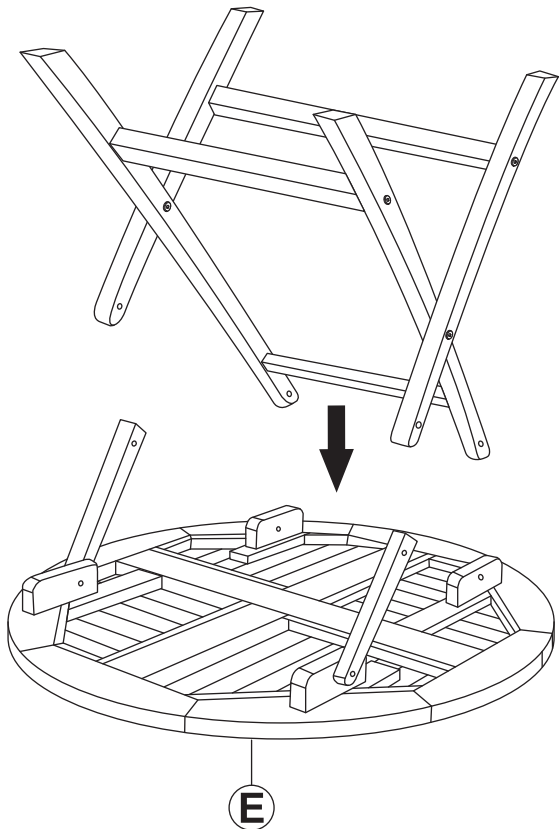
STEP 2

C: 1
D: 2
F: 4



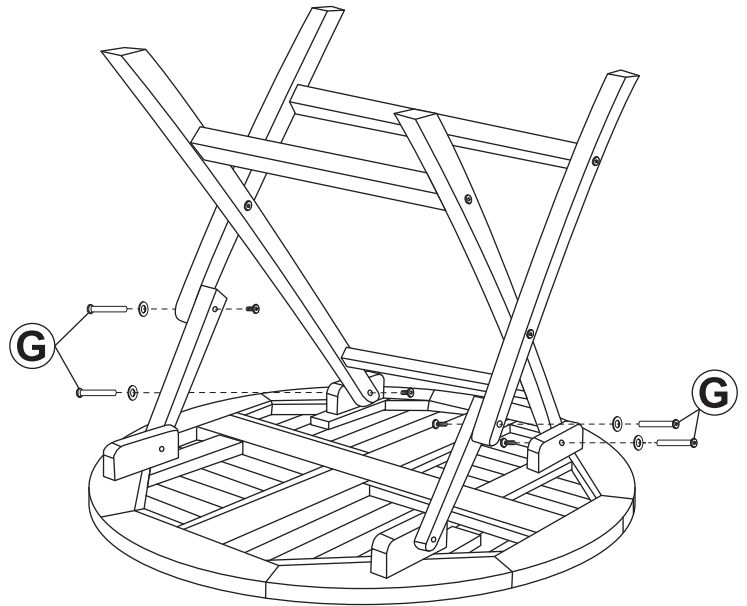
STEP 3

E: 1



STEP 4

G: 4



NOTE: Leg installation location may vary. For smaller size tables, install the inside legs on the outside of the blocks on the bottom of the tabletop.

Care & Maintenance

Use this guide to help easily maintain and care for your teak furniture. Teak wood has a natural resistance to mold and rot; however, unsightly mildew can still form on the surface of the wood if not cared for. Regular cleanings will help prevent discoloration on both treated and untreated wood.

SAFE USE: Only use on a flat, level surface. Do not sit or stand on any part of this item.

CLEANING: Wet down the furniture with clean water. Mix 1 cup of vinegar with 1 gallon of water and use a soft plastic brush to scrub the furniture. Do not use metal brushes as they can scratch and damage the wood.

Rinse thoroughly with clean water. Place the furniture in a shaded area to dry; do not allow it to dry in direct sunlight. Allow at least 24 hours of dry-time before using or attempting to clean it again. Some harder-to-clean stains may require a store-bought teak cleaner. When cleaning your teak, always start with the mildest cleaning solution. Follow the manufacturer instructions of store-bought cleaners carefully.

INSPECT: Periodically check hardware and tighten as necessary.

EXPOSURE: Over time, sunlight and weather elements may change the color of natural wood. Avoid leaving wooden furniture in the rain or high-humidity climates as wood can expand and contract with humidity changes; you may need to tighten fittings periodically. If this item is not used for extended periods, we recommend covering or storing it indoors.

WINTER CARE & STORAGE: Cover and store furniture indoors during the winter to protect it from ice and snow. Doing so will preserve the appearance and integrity of the unit.

MAINTENANCE: This item was treated with teak oil at the factory. To maintain the appearance, apply a suitable penetrating wood, teak or linseed oil (not included) yearly, or when the wood looks particularly dry. Clean the unit and bring it into a warm, indoor location. Allow the unit to thoroughly dry before applying oil; drying may take several days. Only apply oil to wooden surfaces. Use a soft cloth or soft brush and carefully apply oil as directed by the wood oil manufacturer.

WARNING: THE ONE-YEAR WARRANTY DOES NOT COVER DAMAGES OR DEFECTS CAUSED BY THE APPLICATION OF CHEMICAL TREATMENTS, PROTECTIVE COATINGS, TOUCH-UP PAINT, OR CLEANING PRODUCTS.

SAFETY STATEMENTS & WARNINGS

- For residential use only.
- Do not exceed the weight capacity of the furniture.
- Do not put hot items on or near furniture.
- Keep furniture a safe distance from heat sources such as fire pits, patio heaters, and grills.
- Do not allow children to use this product without adult supervision.
- Do not use harsh chemicals or abrasive materials to clean the furniture.

Any modification to the product or failure to follow recommended care will void the product warranty.

If you experience issues with assembly or the product was damaged during shipping, please contact our customer service team through one of the methods mentioned at the top of page 1. Please have the item number and order information ready to expedite response time.

WARNING!

Manufacturer and seller expressly disclaim any and all liability from personal injury, property damage or loss, whether direct or indirect, or incidental, resulting from the incorrect attachment, improper use, inadequate maintenance, or neglect of this product.