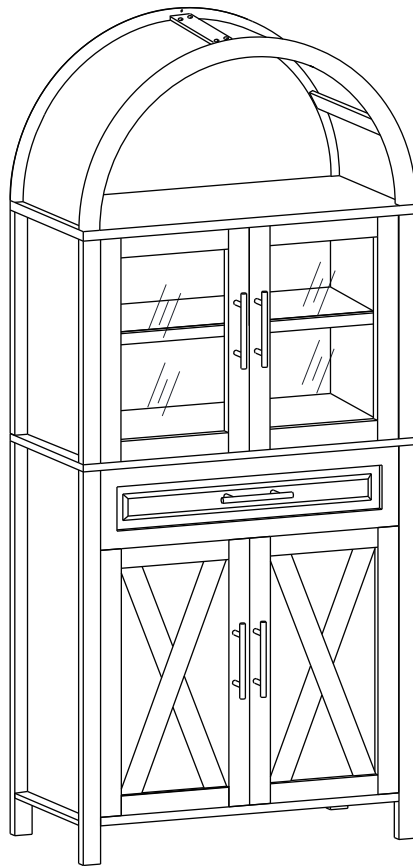
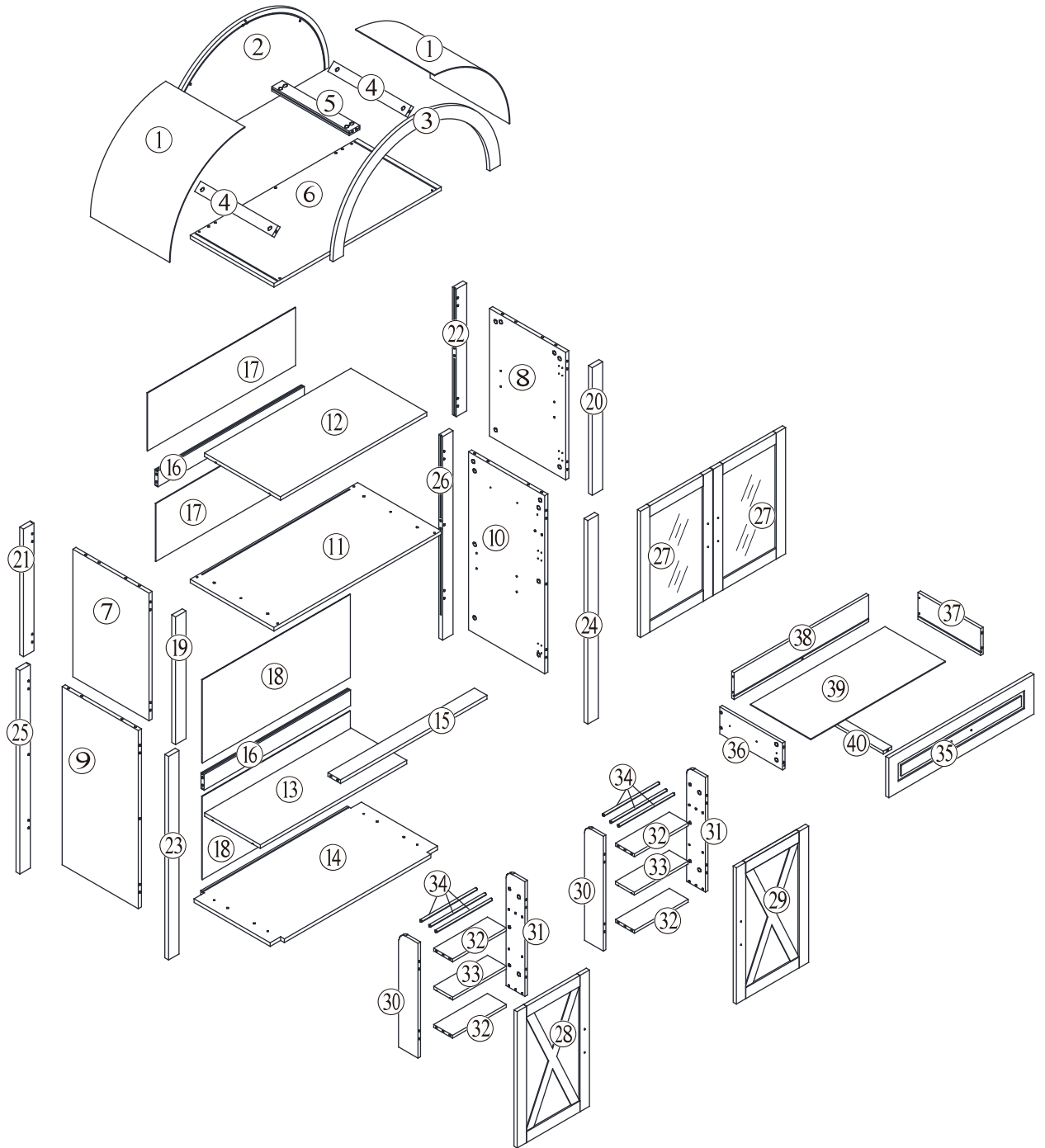


Installation & Assembly



As this item contains many parts, please read the installation instruction carefully before installation . Please use tools properly and carefully.

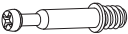










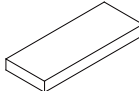








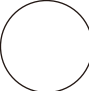

Assembly Instruction



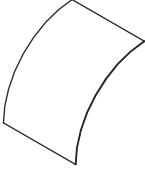
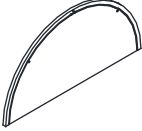

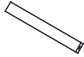

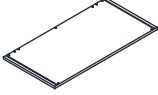
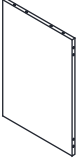
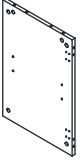


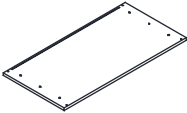
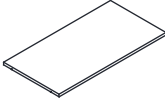
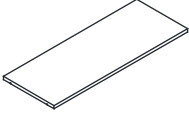
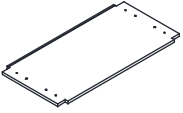
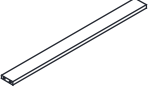

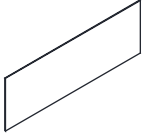
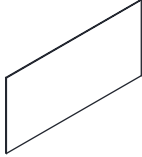








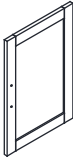




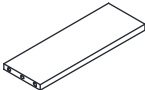
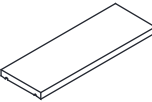

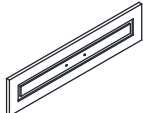
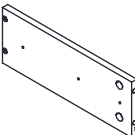
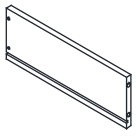

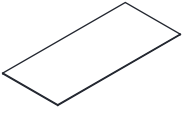
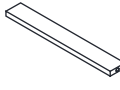
Components - Fittings

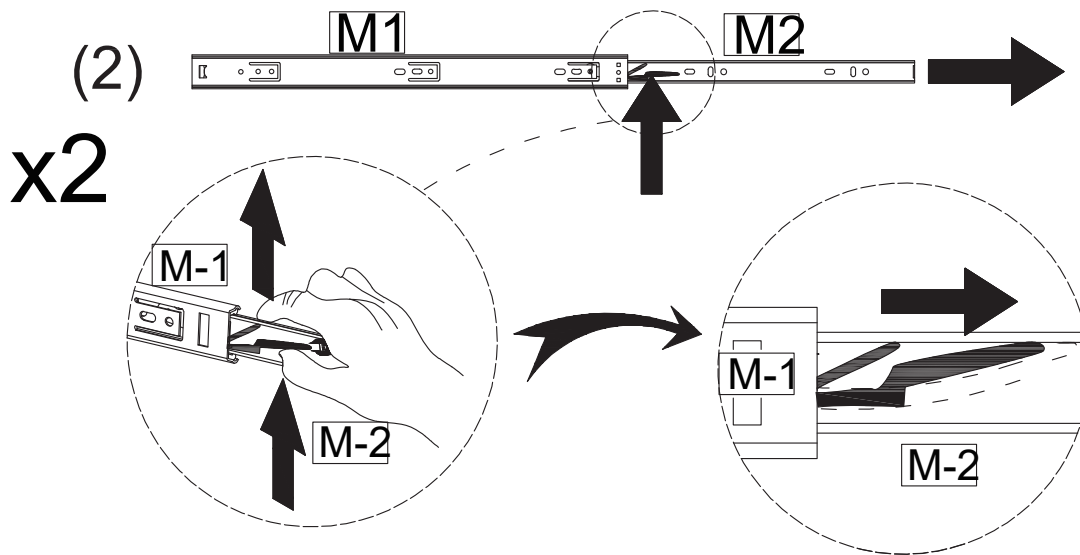
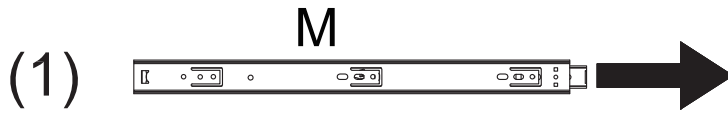
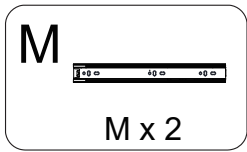
Please check you have all the panels listed below

Note: The quantities below are the correct amount to complete the assembly. In some cases, more fittings may be supplied than required.

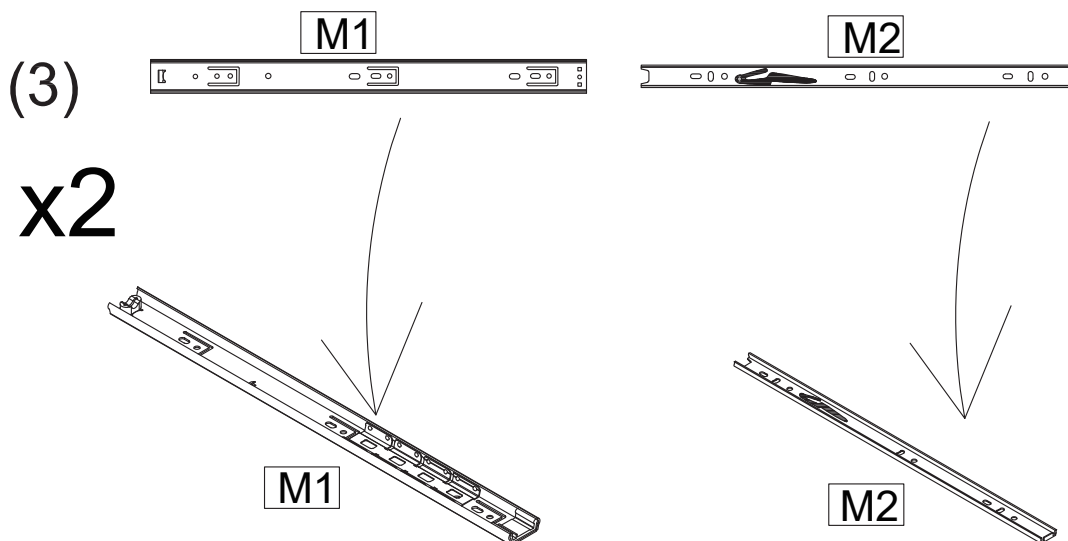
 A: 86PCS	 B: 86PCS	 $\varnothing 4 \times 35 \text{mm}$ C: 14PCS	 $\varnothing 4 \times 30 \text{mm}$ D: 5PCS	 $\varnothing 3.5 \times 10 \text{mm}$ E: 14PCS	 F: 5PCS	
 M4x22mm G: 10PCS	 H: 8PCS	 $\varnothing 3.5 \times 14 \text{mm}$ I: 52PCS	 $\varnothing 5 \times 25 \text{mm}$ J: 16PCS	 $\varnothing 6 \times 30 \text{mm}$ K: 54PCS	 L: 4PCS	 M: 2PCS
 N: 1PCS	 O: 1PC	 $\varnothing 5 \times 40 \text{mm}$ P: 1PC	 Q: 16PCS	 $\varnothing 3 \times 16 \text{mm}$ R: 16PCS	 S: 1PCS	 T: 2PCS
 U: 86PCS	 V: 1PC					

Assembly Instruction

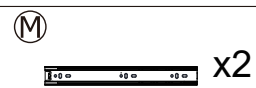
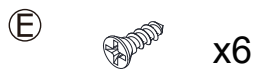
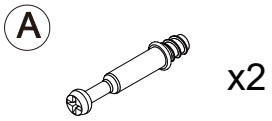
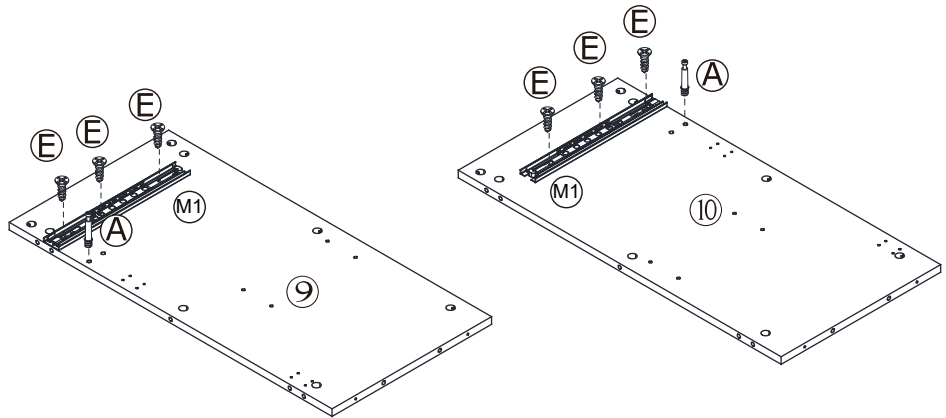
						
1: 2PCS	2: 1PC	3: 1PC	4: 2PCS	5: 1PC	6: 1PC	7: 1PC
						
8: 1PC	9: 1PC	10: 1PC	11: 1PC	12: 1PC	13: 1PC	14: 1PC
						
15: 1PC	16: 2PCS	17: 2PCS	18: 2PCS	19: 1PC	20: 1PC	21: 1PC
						
22: 1PC	23: 1PC	24: 1PC	25: 1PC	26: 1PC	27: 2PCS	28: 1PC
						
29: 1PC	30: 2PCS	31: 2PCS	32: 4PCS	33: 2PCS	34: 6PCS	35: 1PC
						
36: 1PC	37: 1PC	38: 1PC	39: 1PC	40: 1PC		



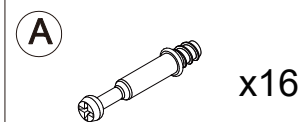
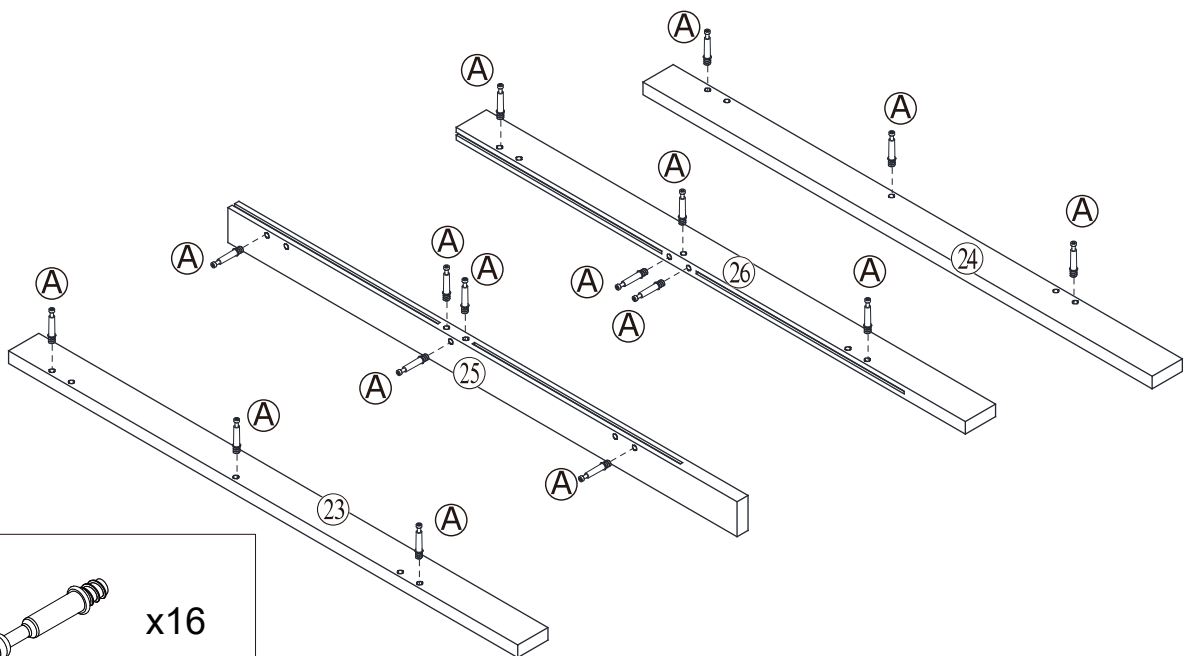
Move the black paddle upward and pull out (M2) to the right.
Déplacez la palette noire vers le haut et tirez (M2) vers la droite.



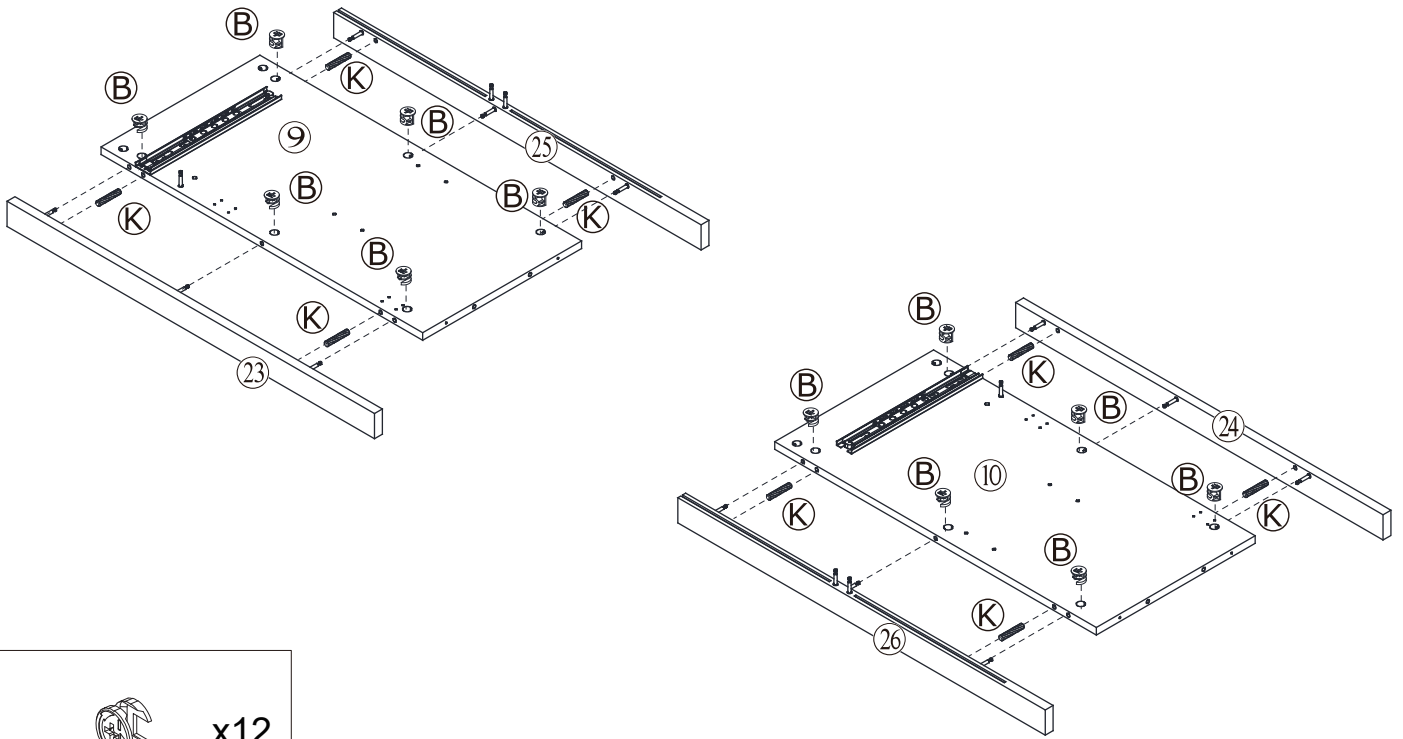
Step 1



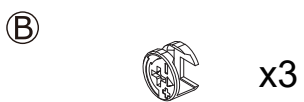
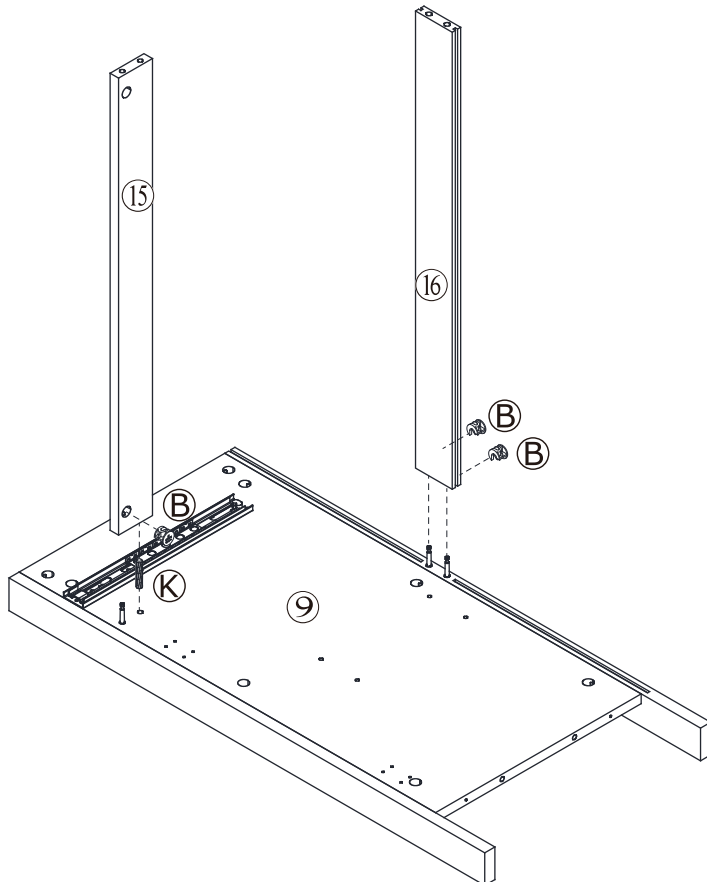
Step 2





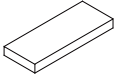
Step 3

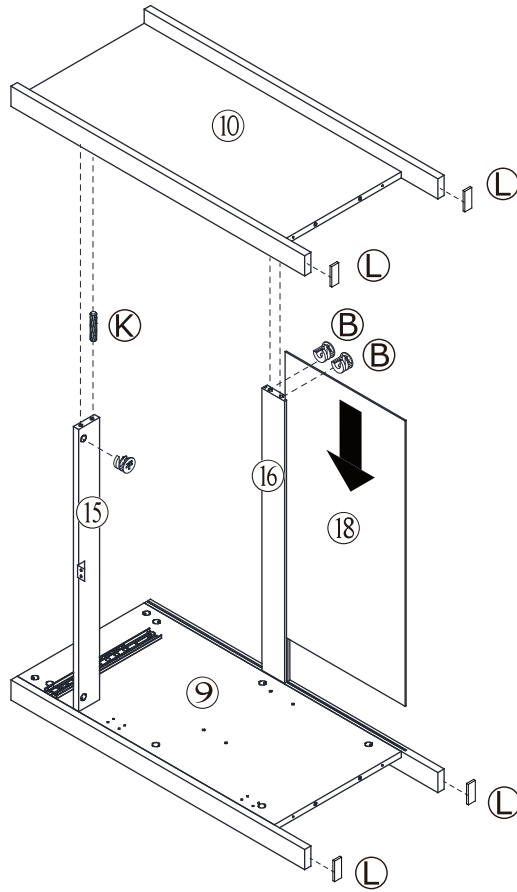


Step 4

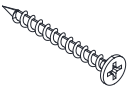





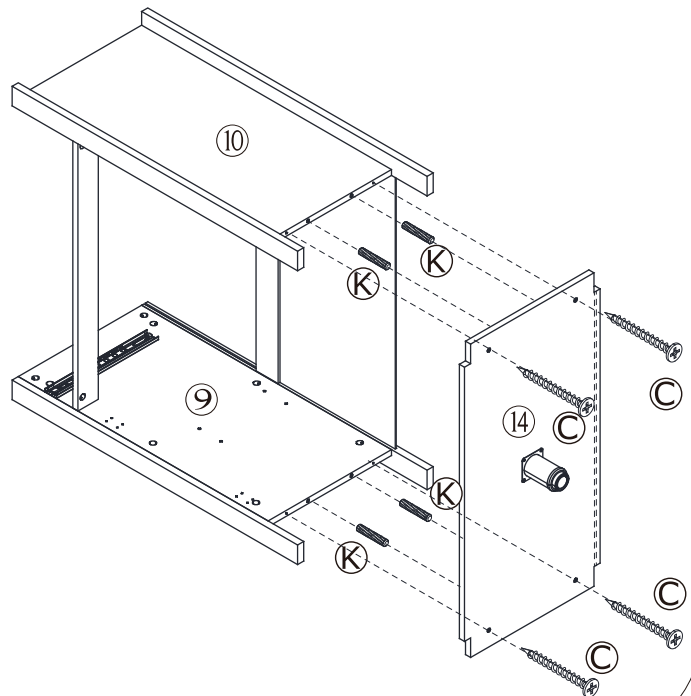
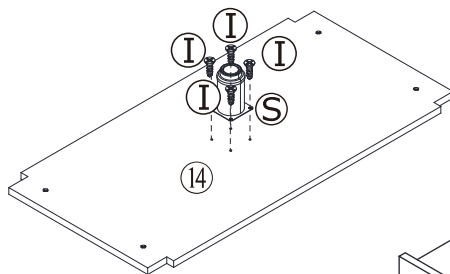
Step 5

(B)		x3
(K)		x1
(L)		x4

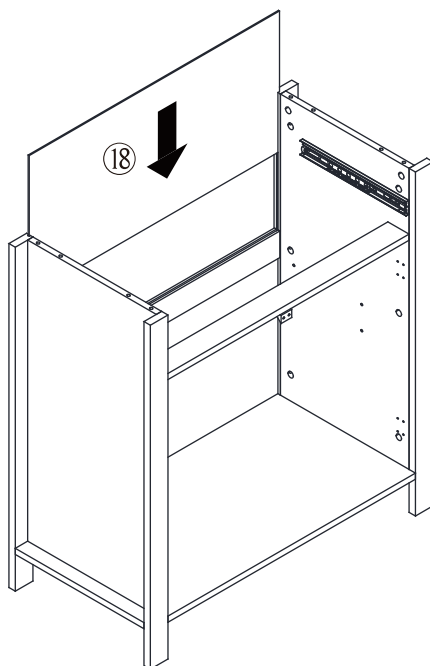


Step 6

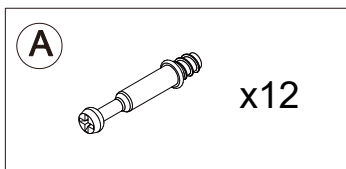
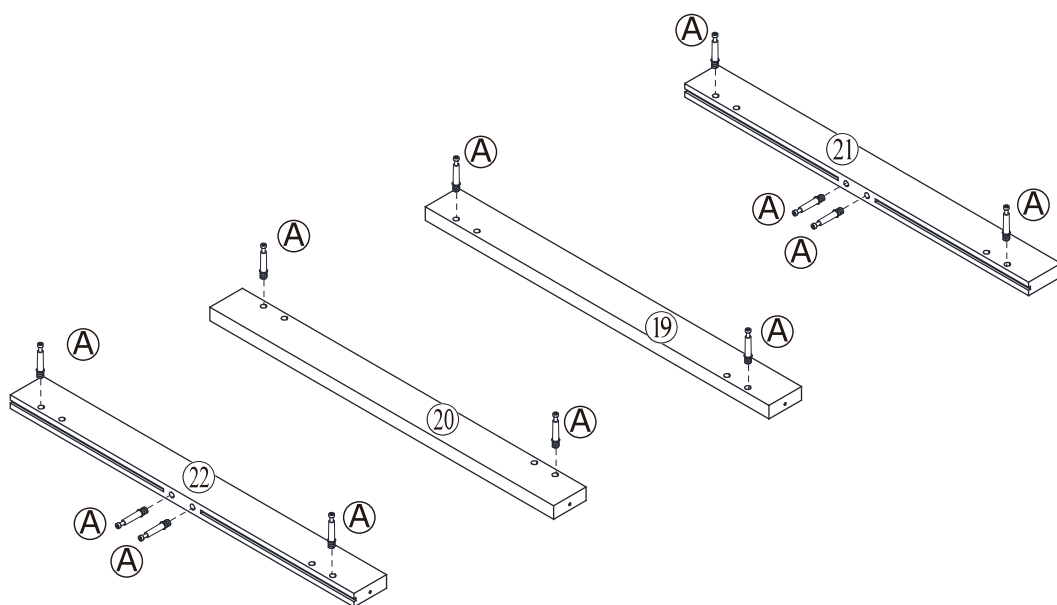
(C)		x4
(K)		x4
(S)		x1
(I)		x4



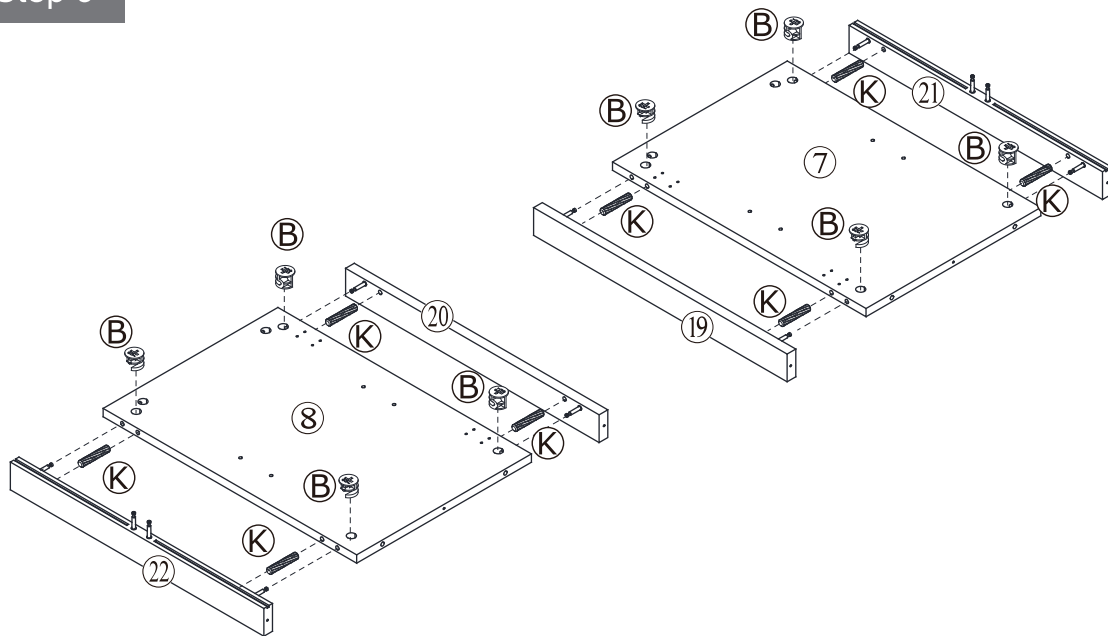
Step 7



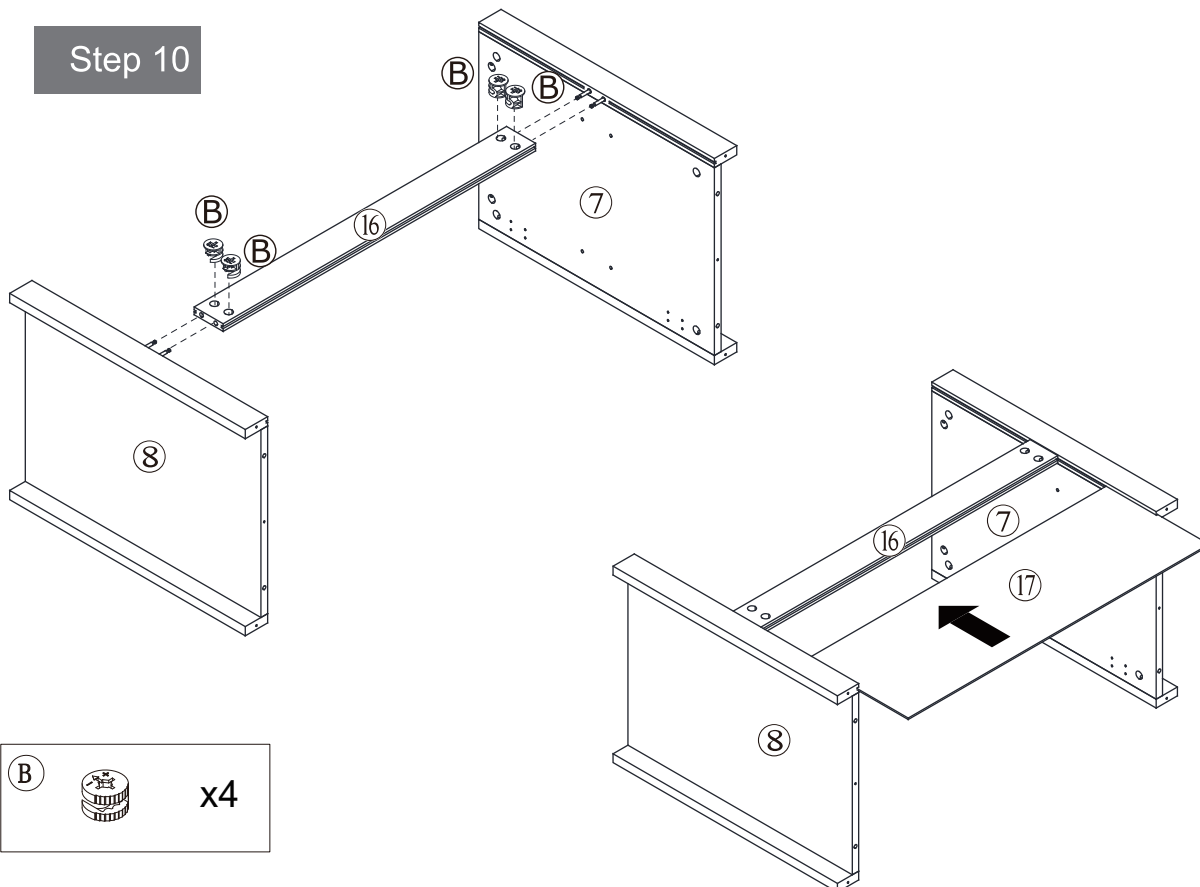
Step 8



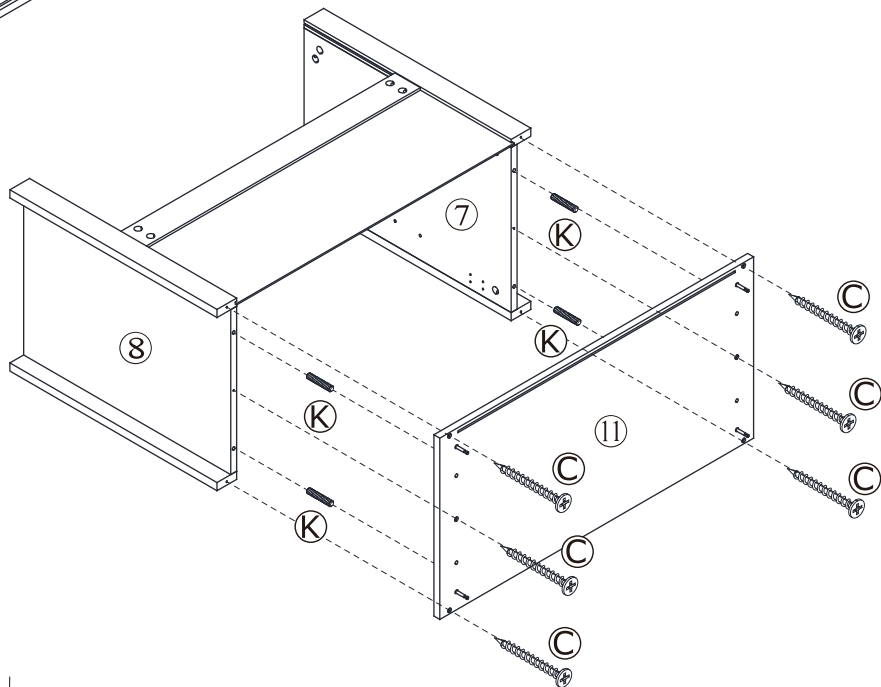
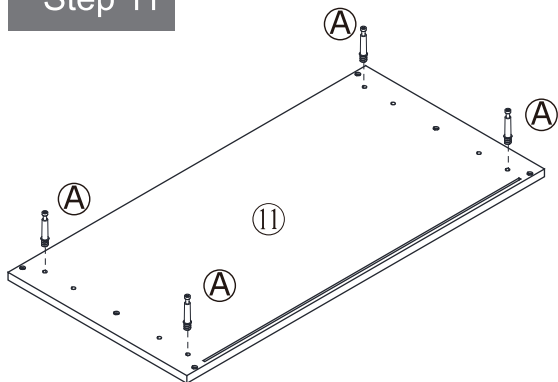
Step 9

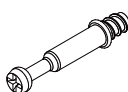
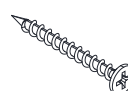



Step 10

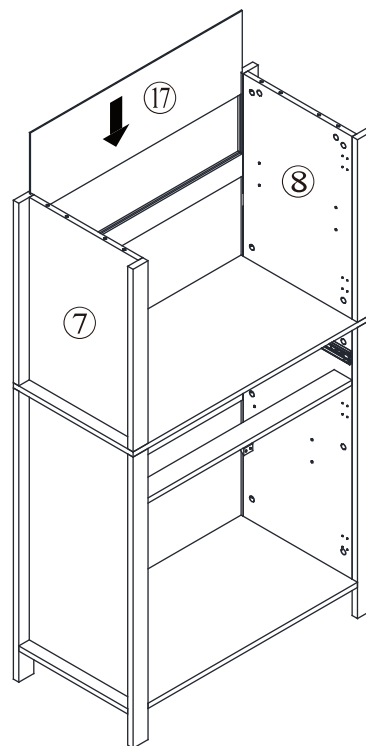
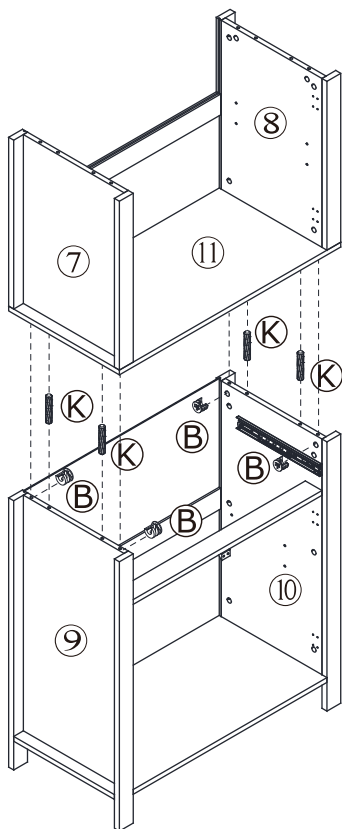




Step 11



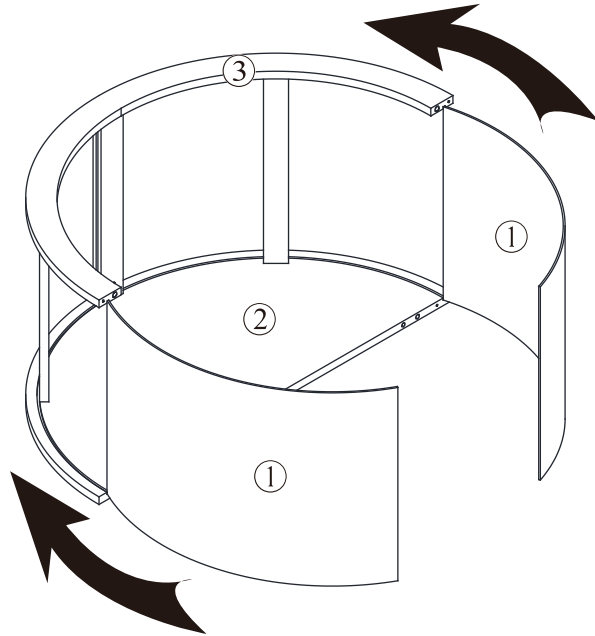
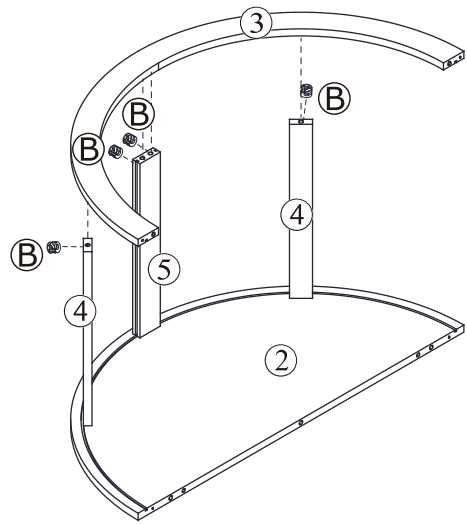
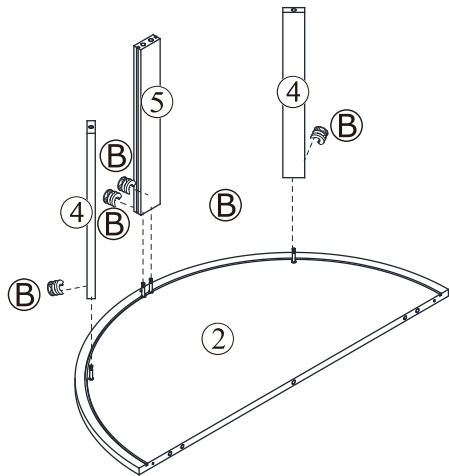
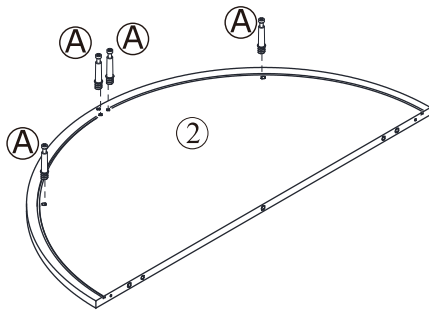
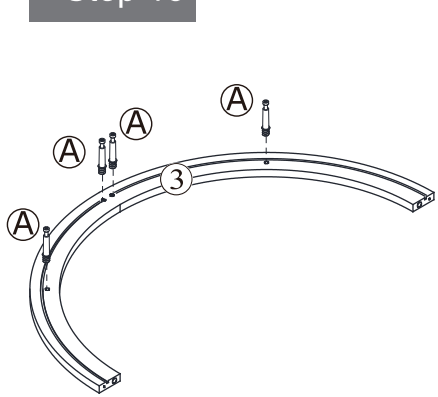
	<p>x4</p>
	<p>x6</p>
	<p>x4</p>

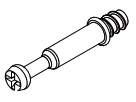

Step 12



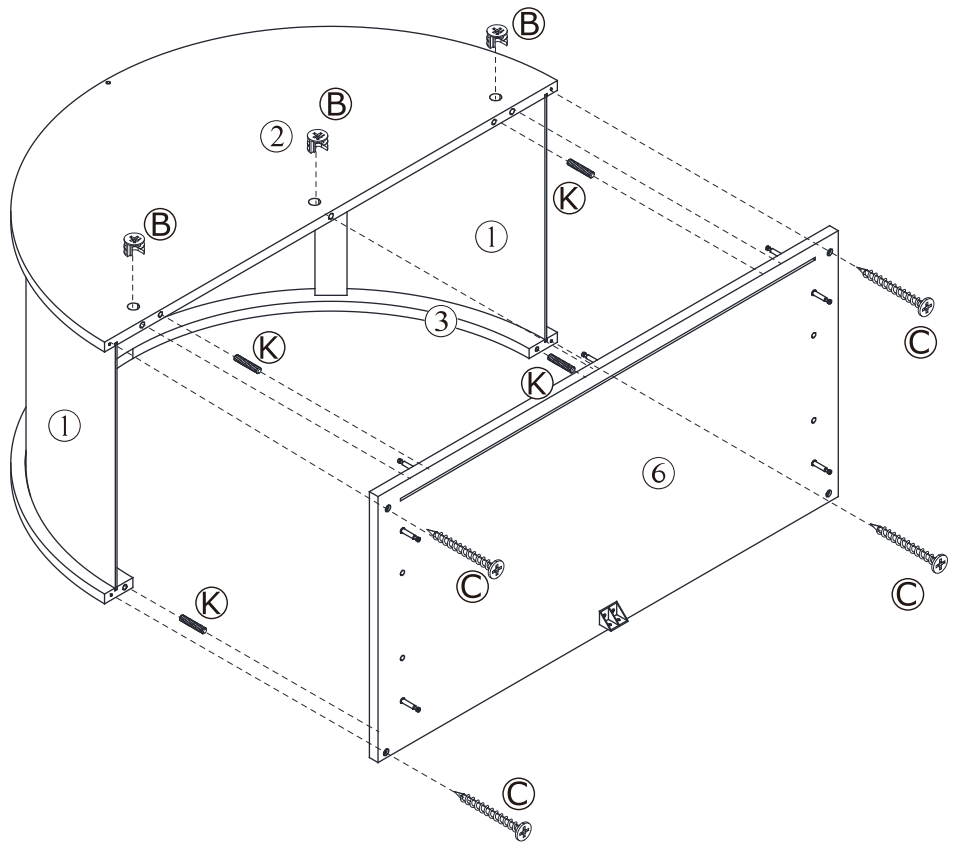
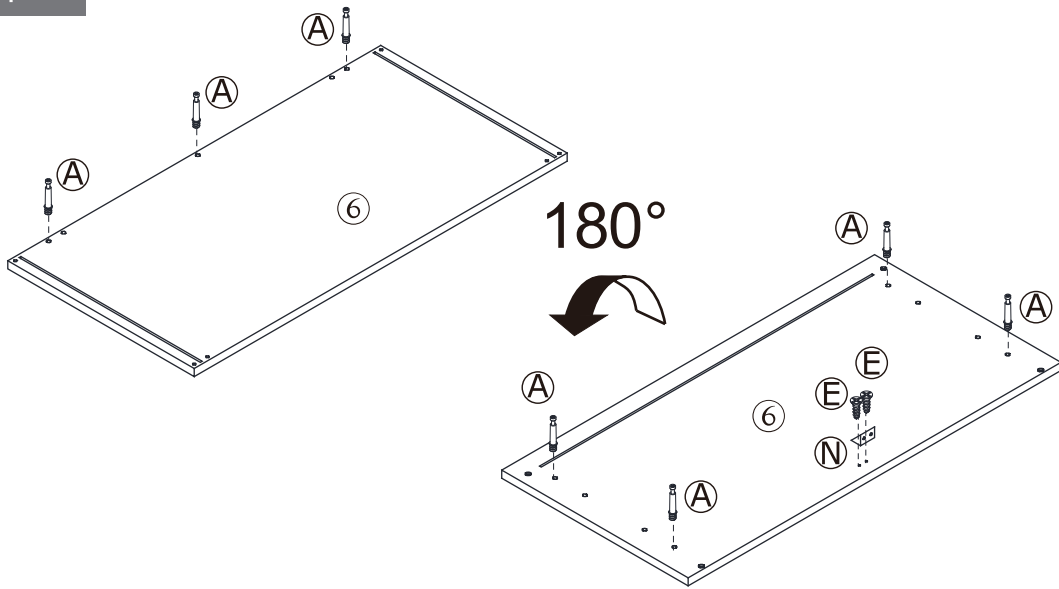
	<p>x4</p>
	<p>x4</p>

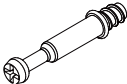

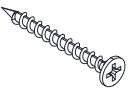



Step 13



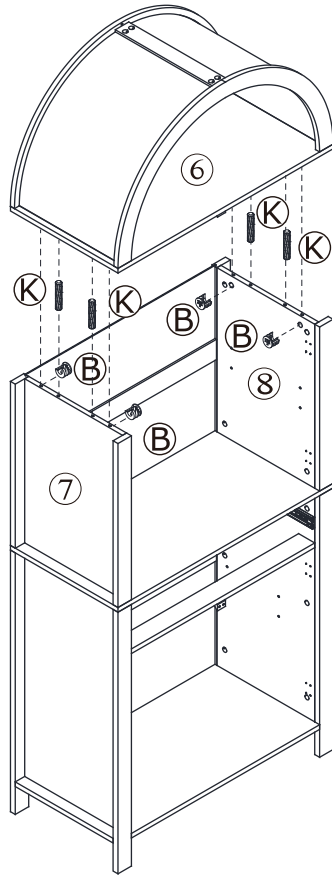
A		x8
B		x8

Step 14



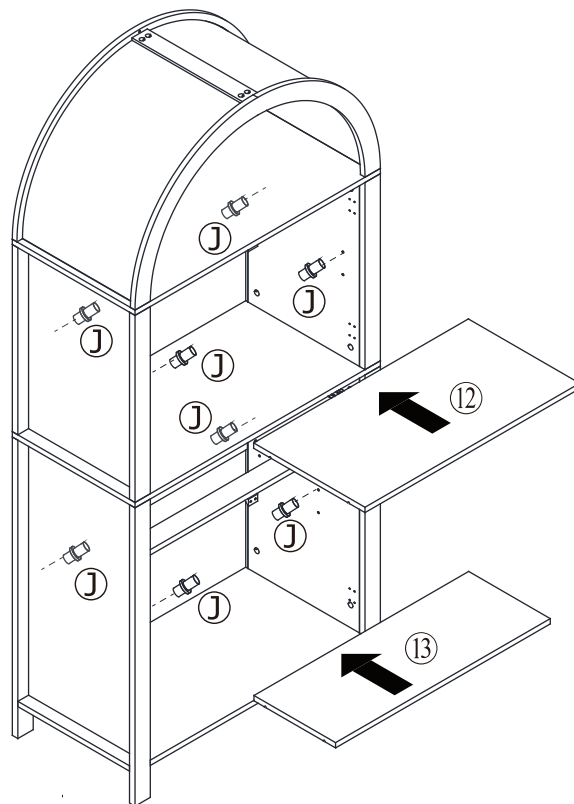
(A)		x7
(B)		x3
(C)		x4
(K)		x4
(E)		x2
(N)		x1

Step 15



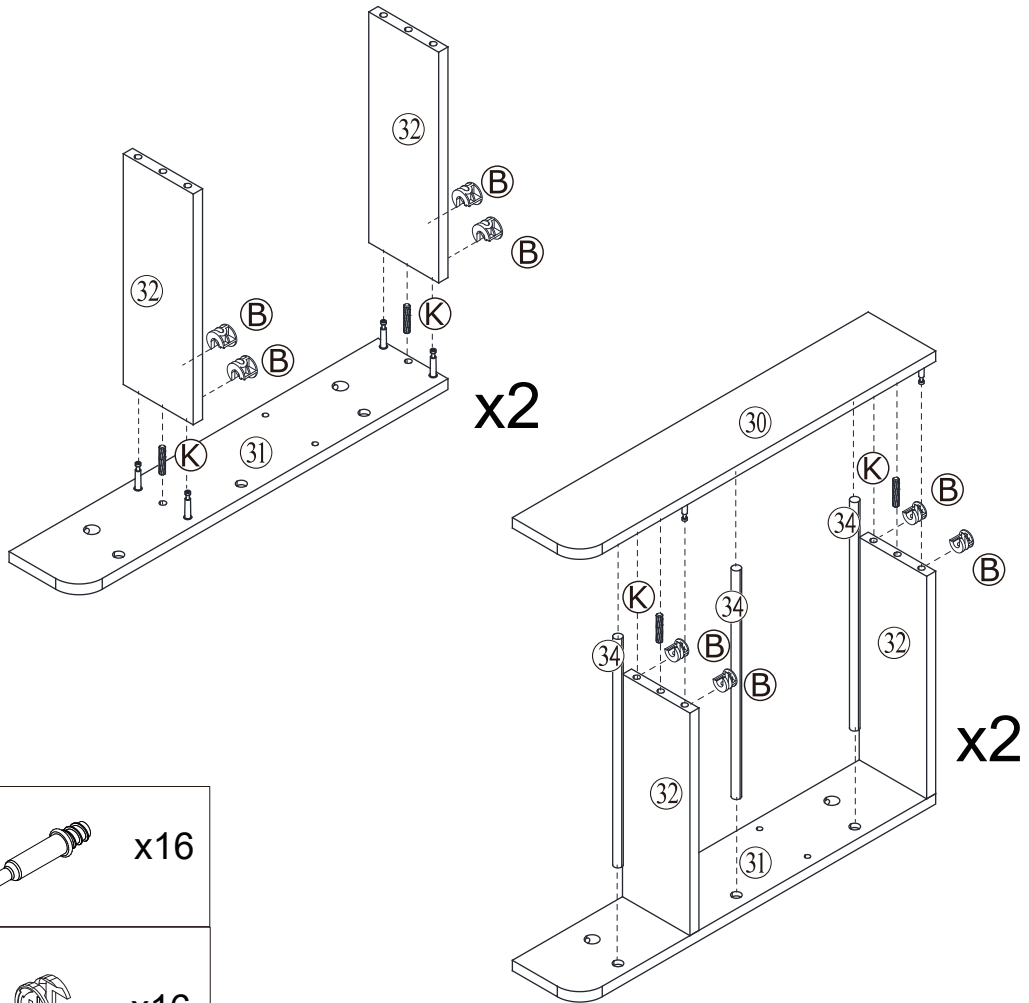
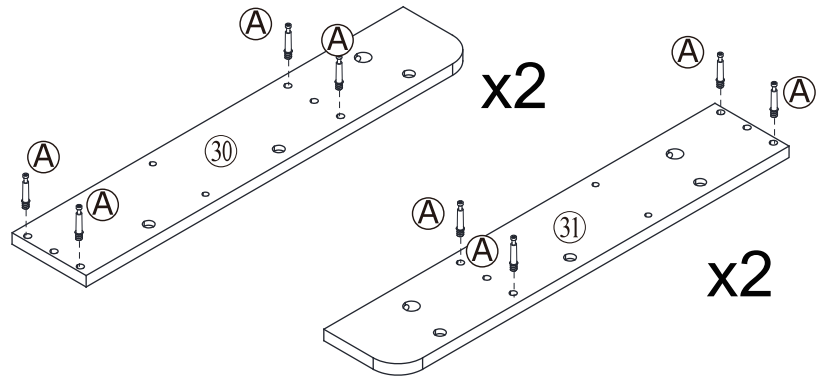
(B)		x4
(K)		x4

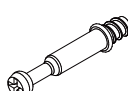


Step 16



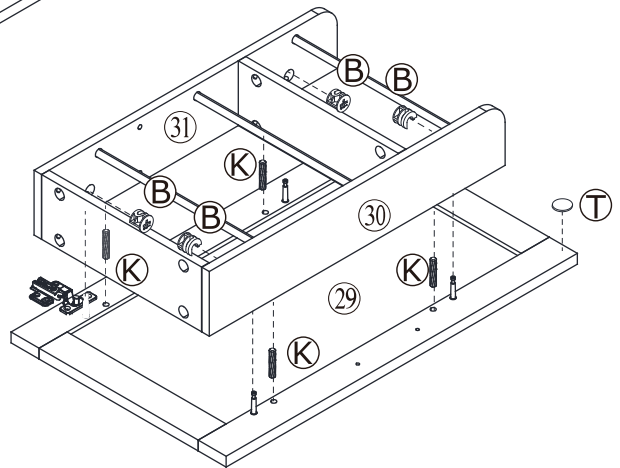
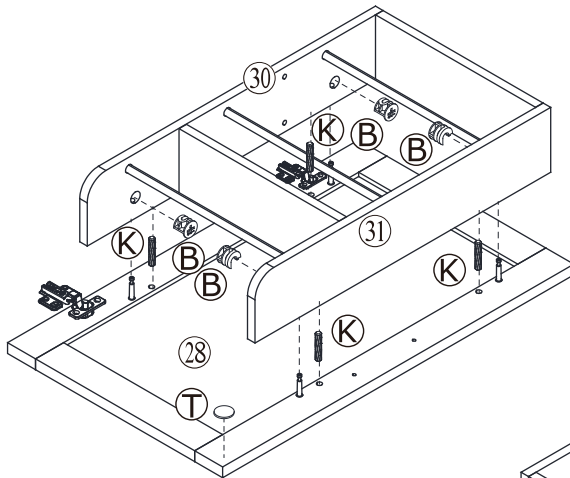
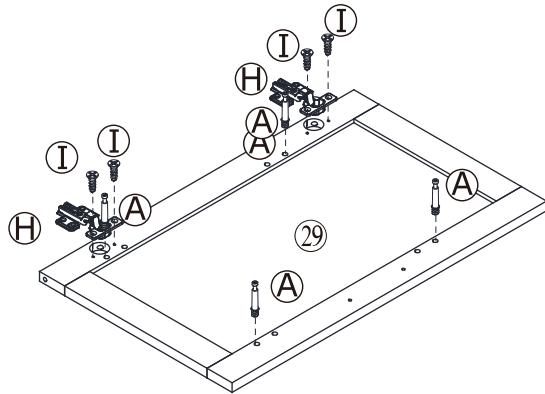
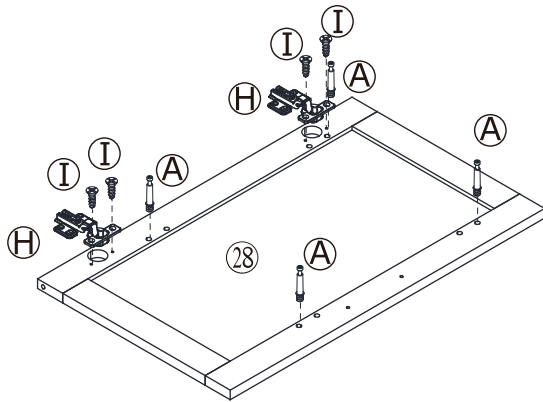
(J)		x8
-----	--	----

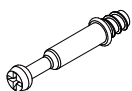





Step 17



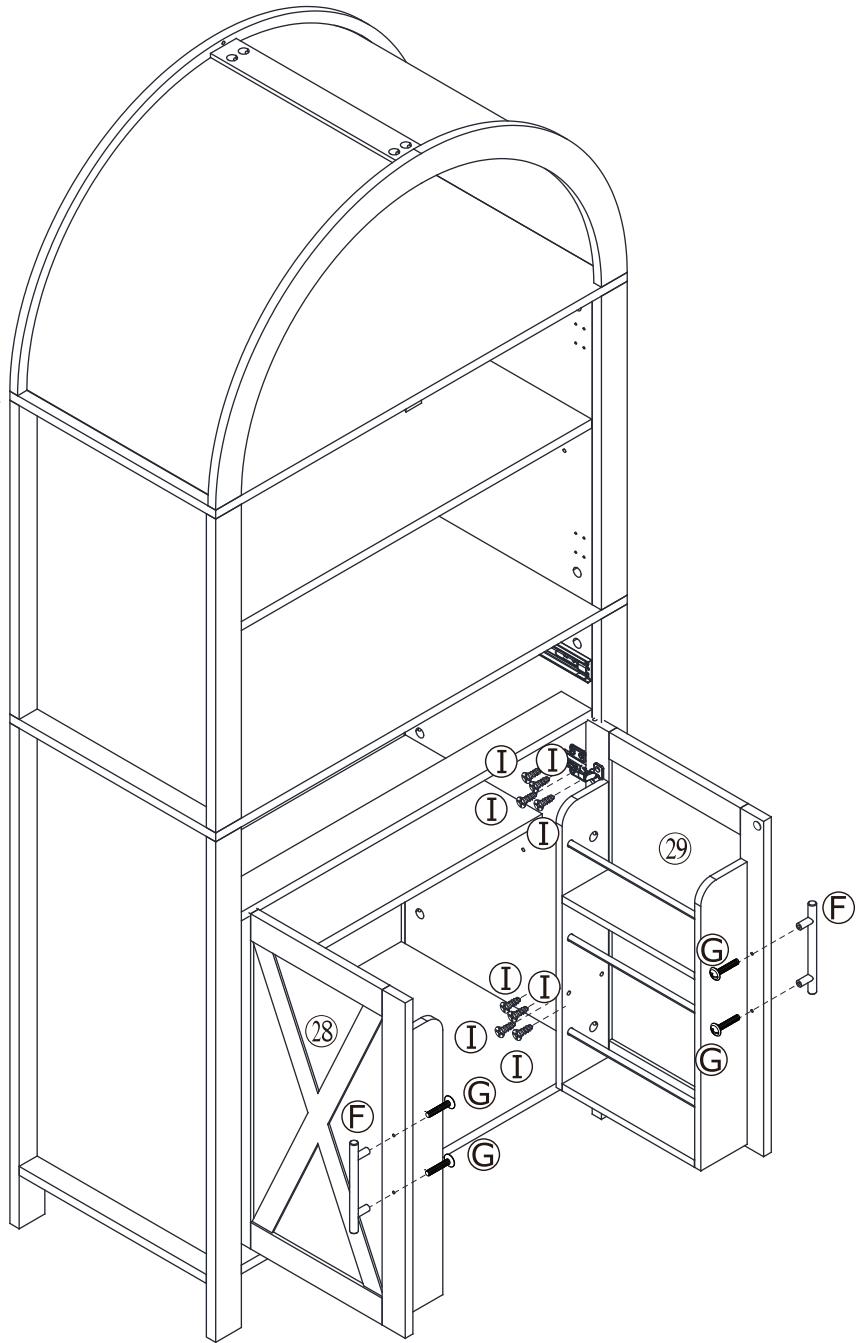
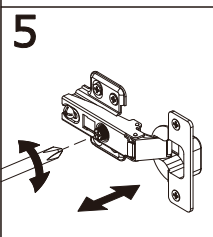
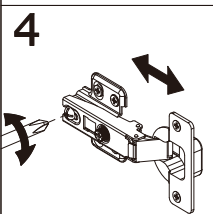
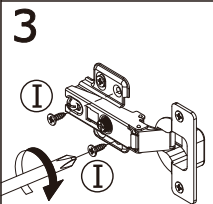
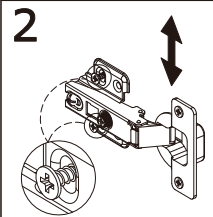
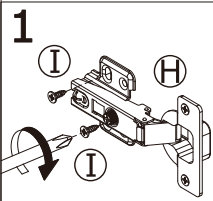
A		x16
B		x16
K		x8

Step 18



Ⓐ		x16
Ⓑ		x16
Ⓚ		x8
Ⓜ		x4
Ⓜ		x8
Ⓣ		x2

Step 19

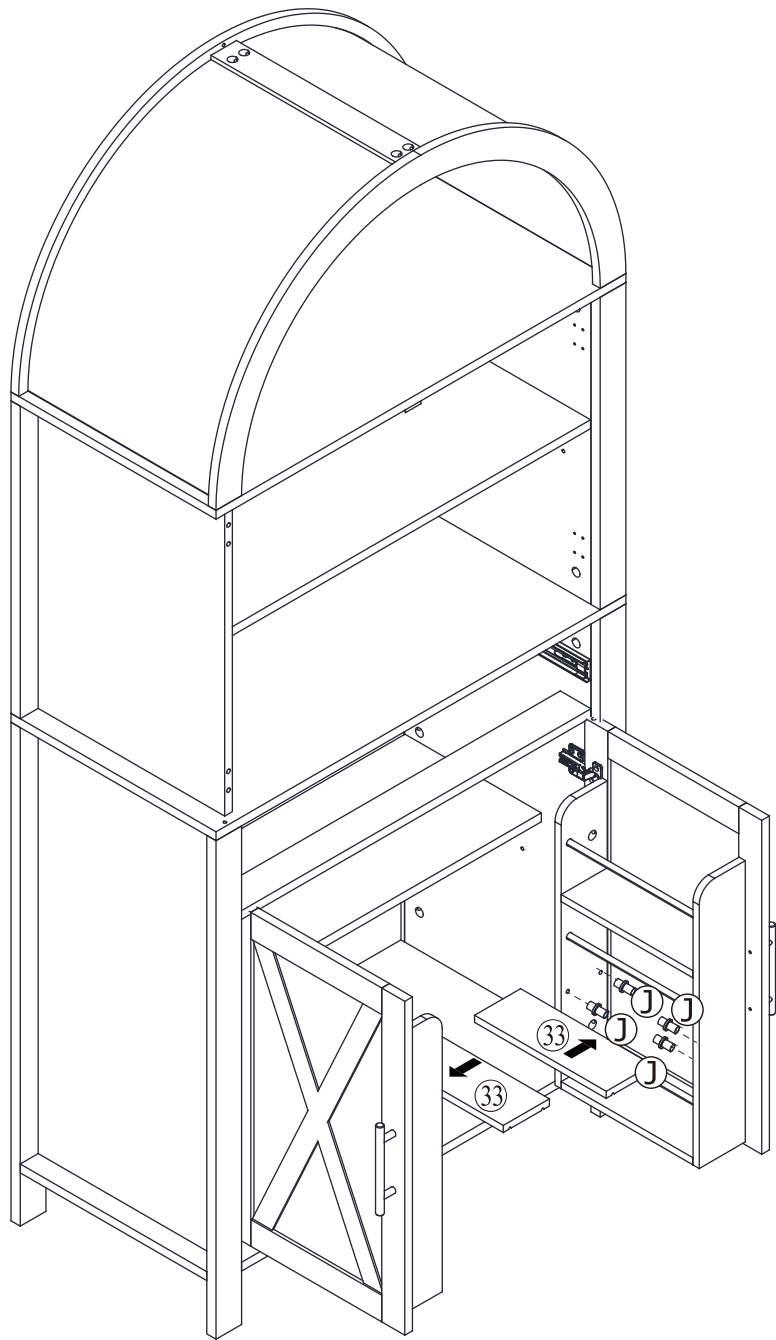


ⓕ ——— x2

ⓖ ——— x4

Ⓢ ——— x16

Step 20

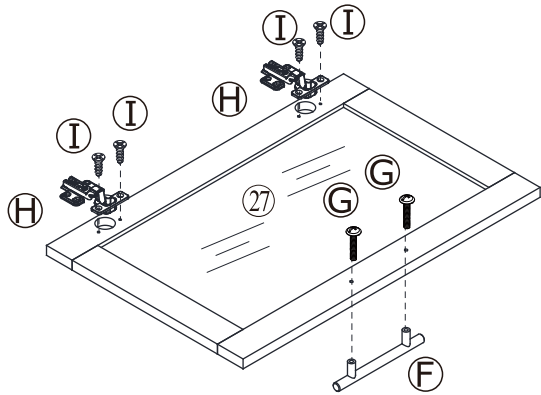
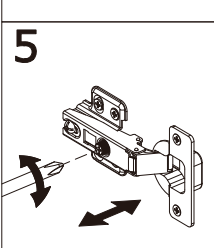
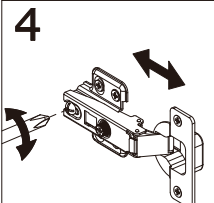
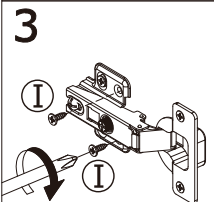
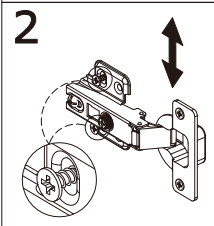
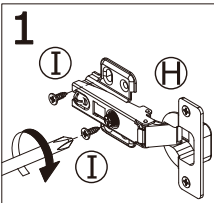


①

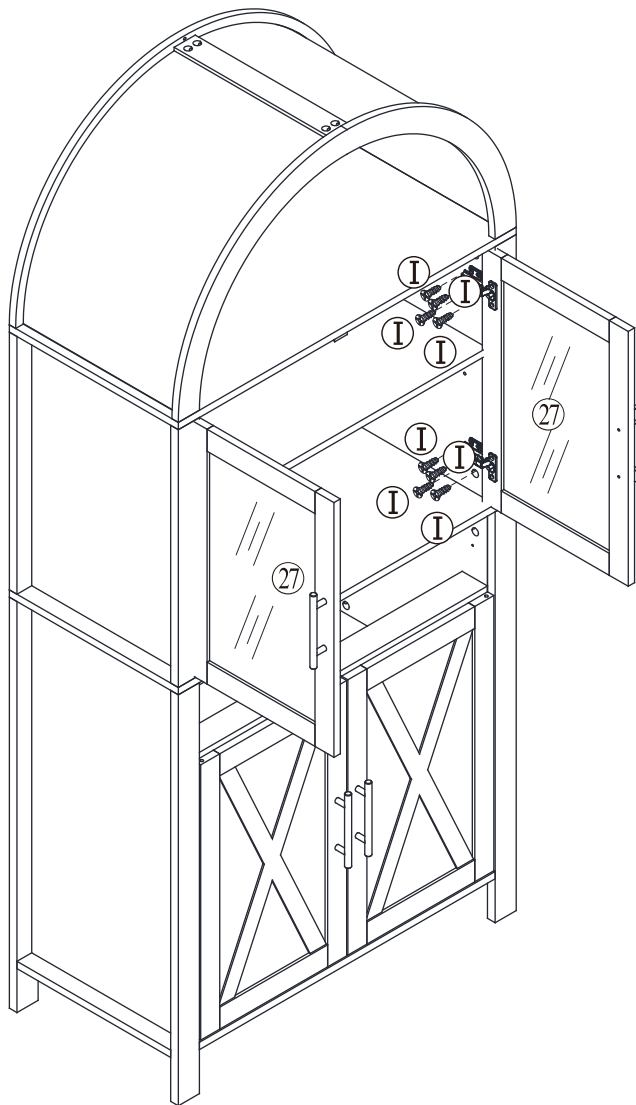






x8

Step 21

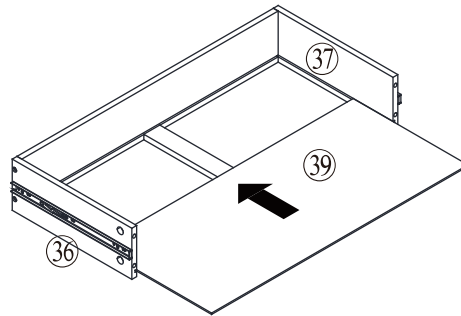
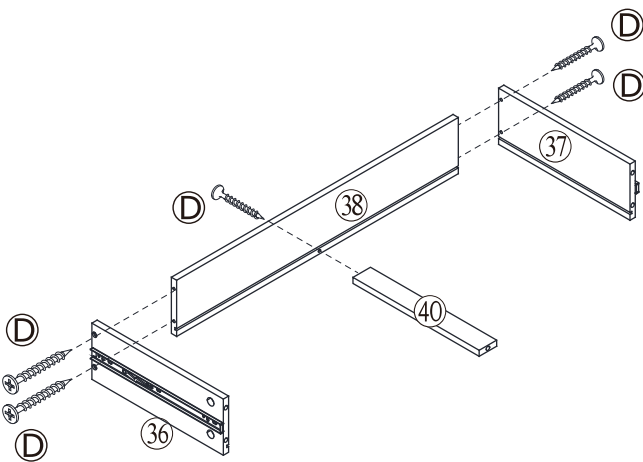
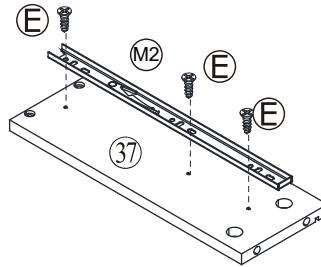
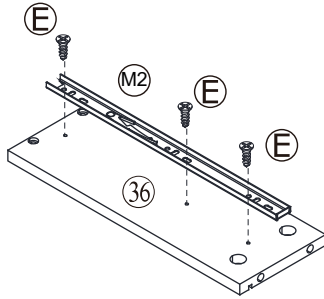
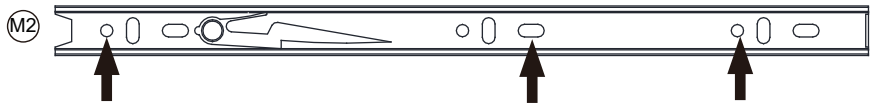


x2

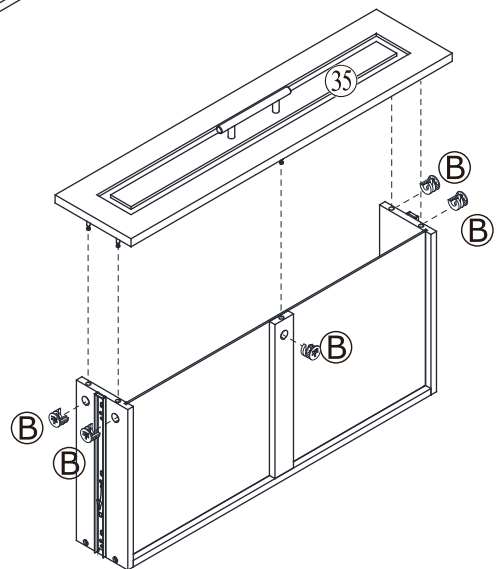
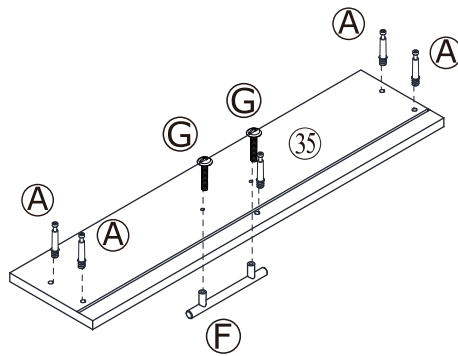


- 
x2
- 
x4
- 
x4
- 
x24

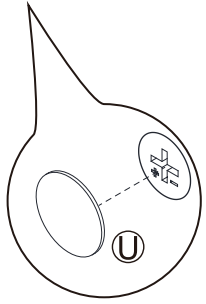
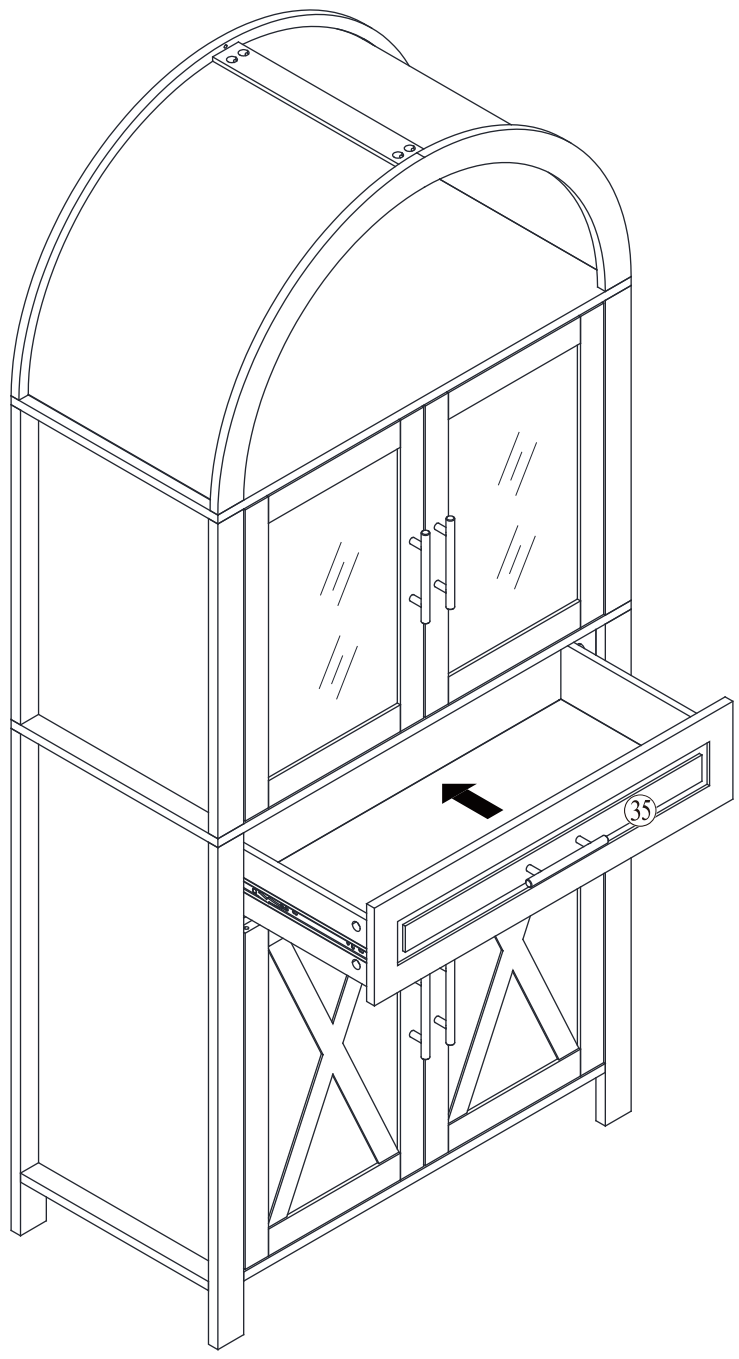
Step 22



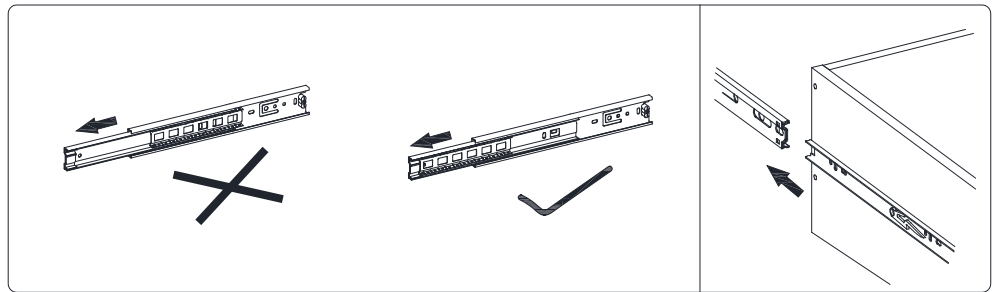
(A)		x5
(B)		x5
(D)		x5
(E)		x6
(F)		x1
(G)		x2
(M)		x2



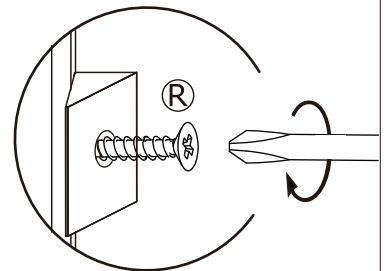
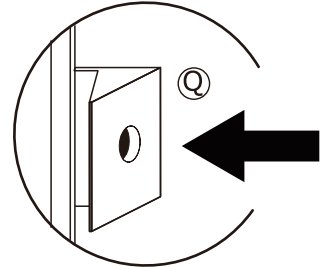
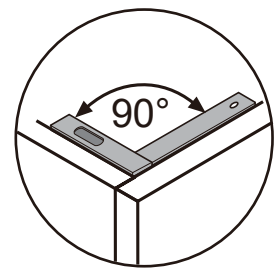
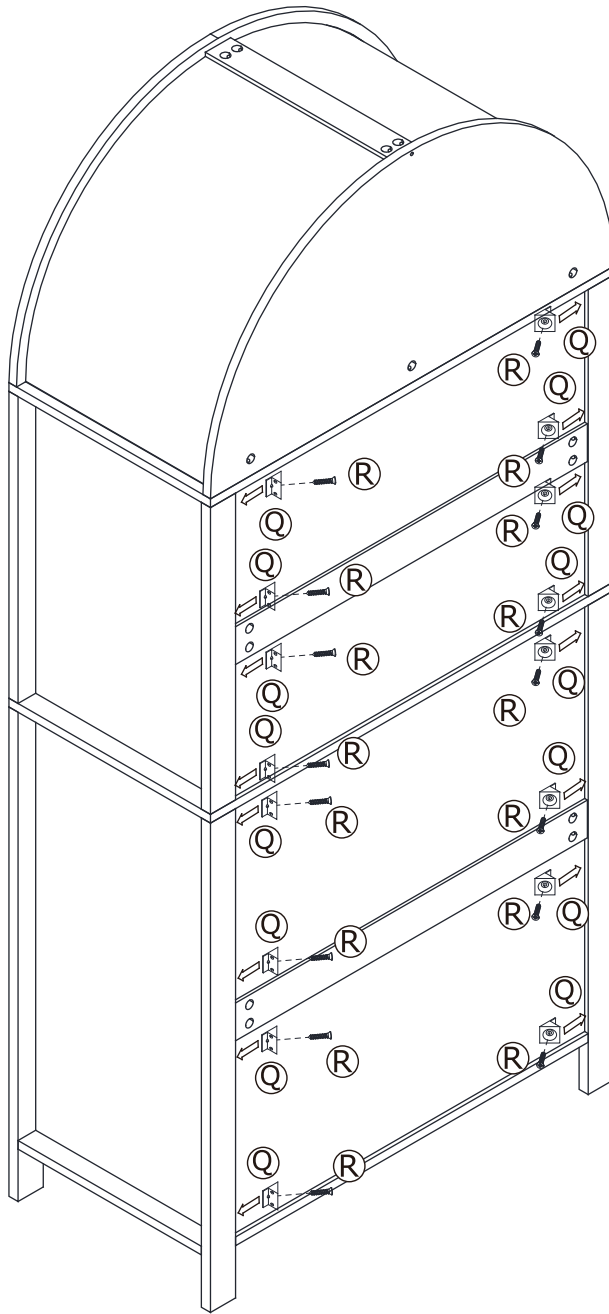
Step 23





U ○ x86

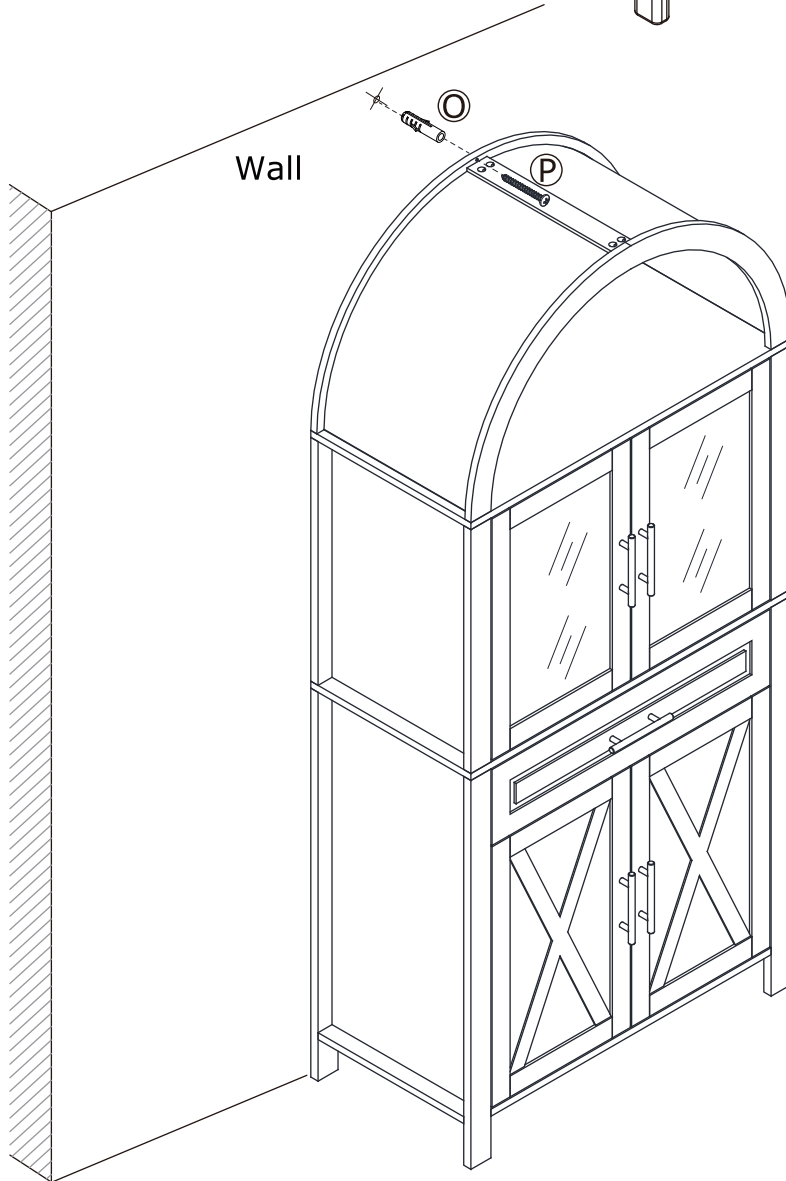
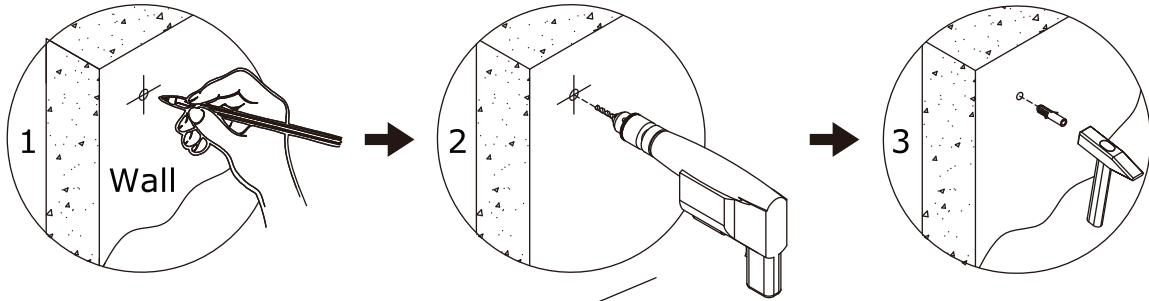






Step 24



Q		x16
R		x16

Step 25



		x1
		x1