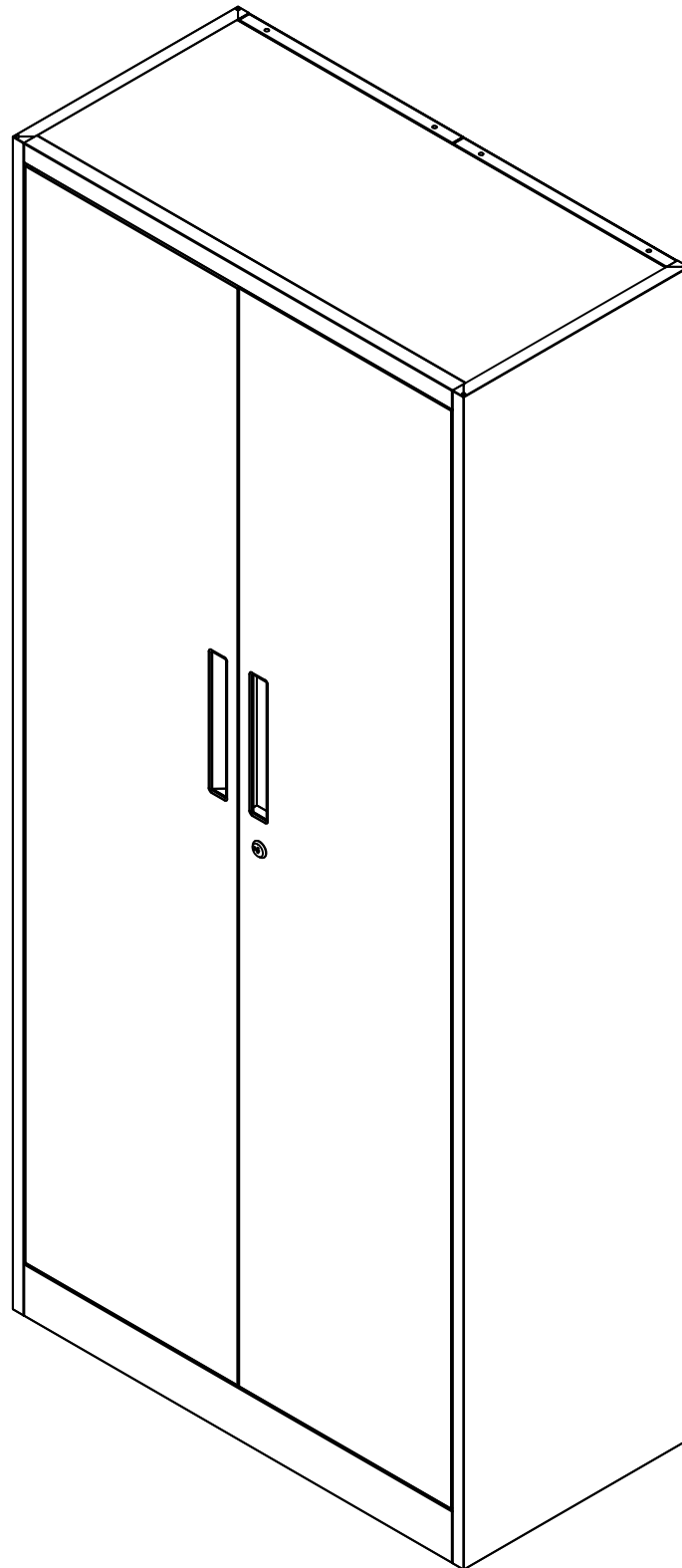
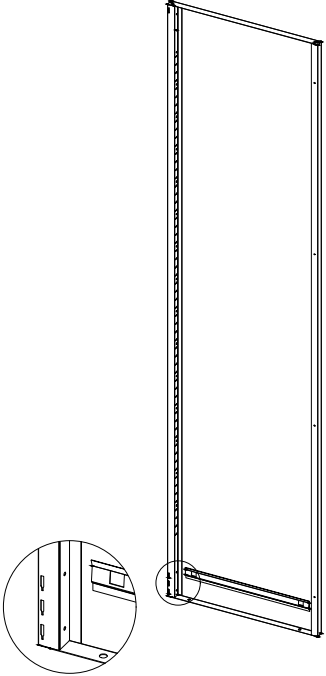
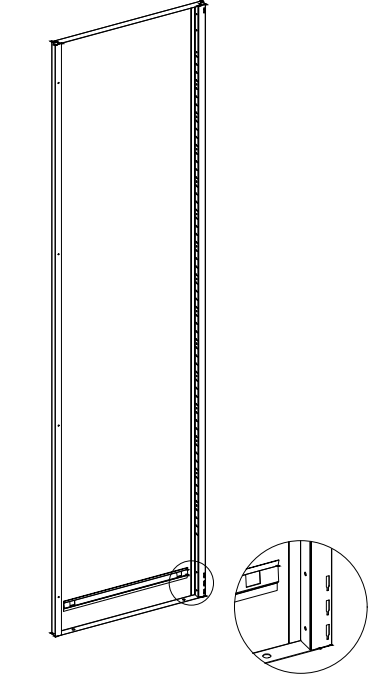
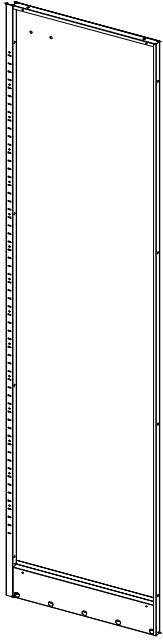
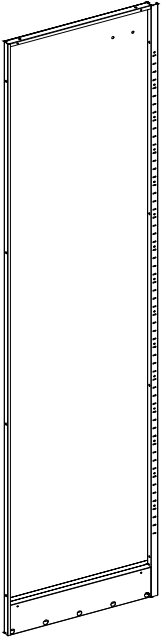
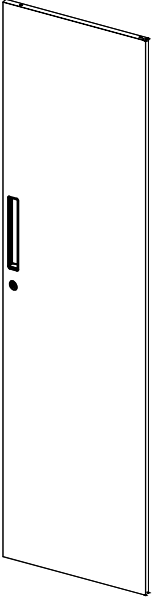
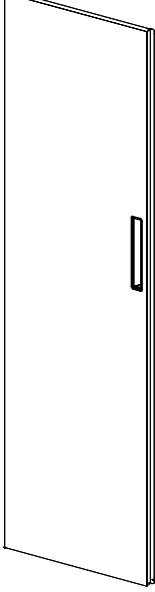
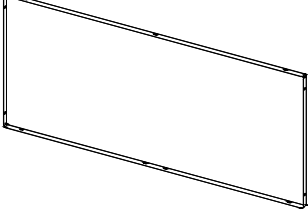
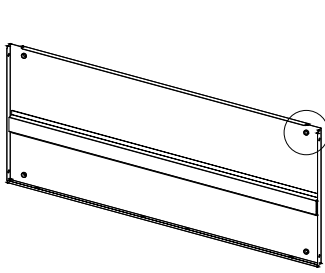
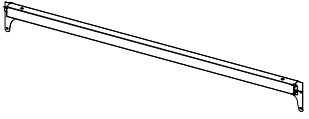
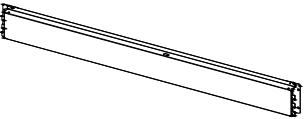
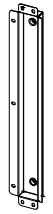
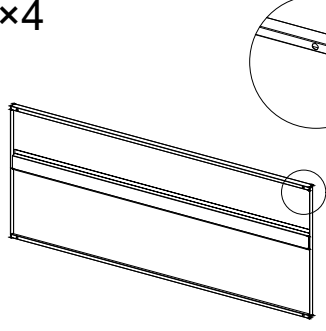
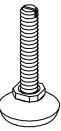


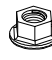

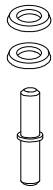

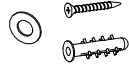

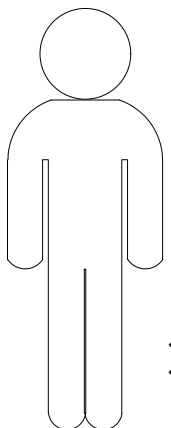
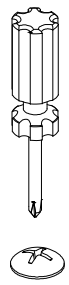
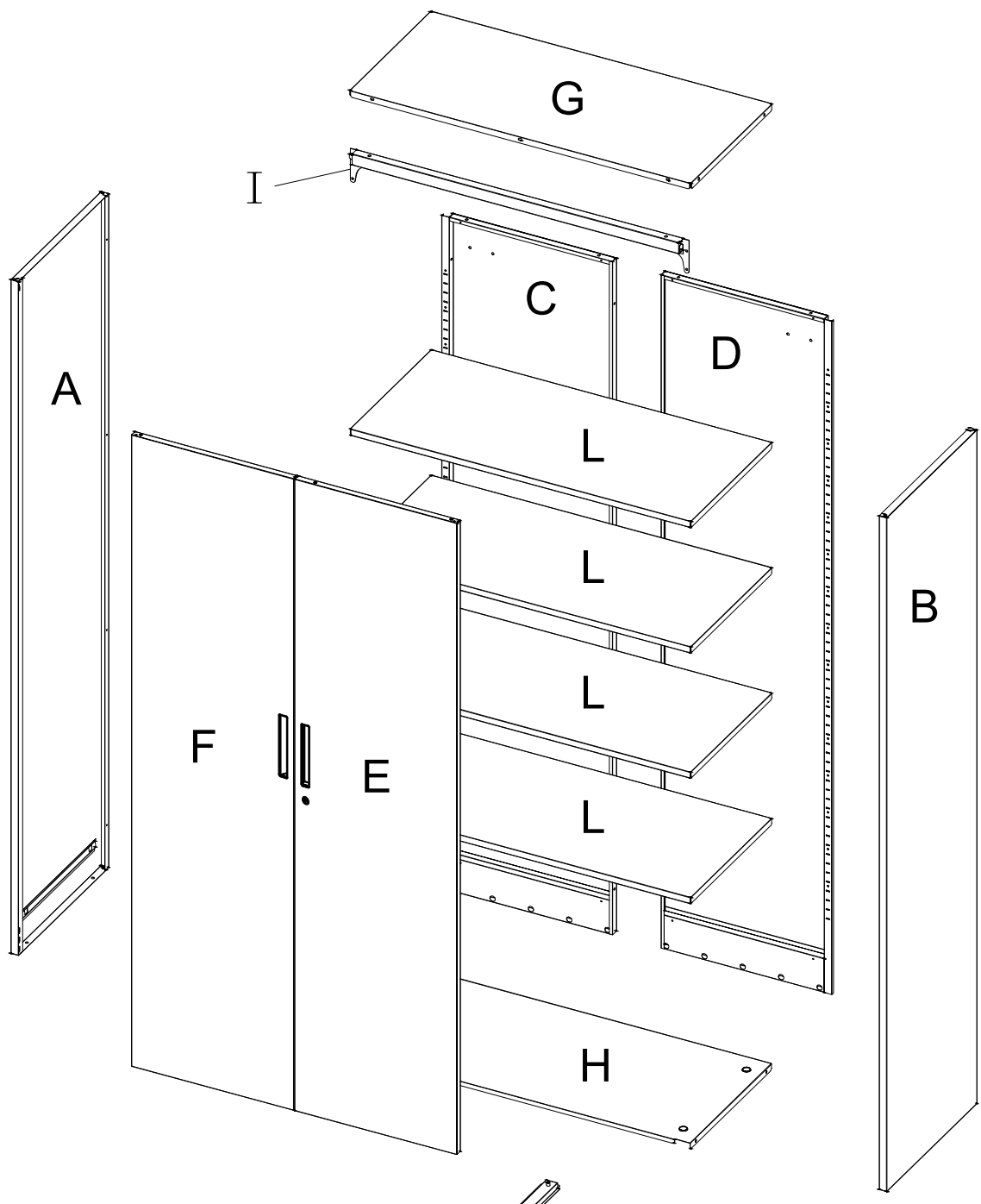


Installation & Assembly

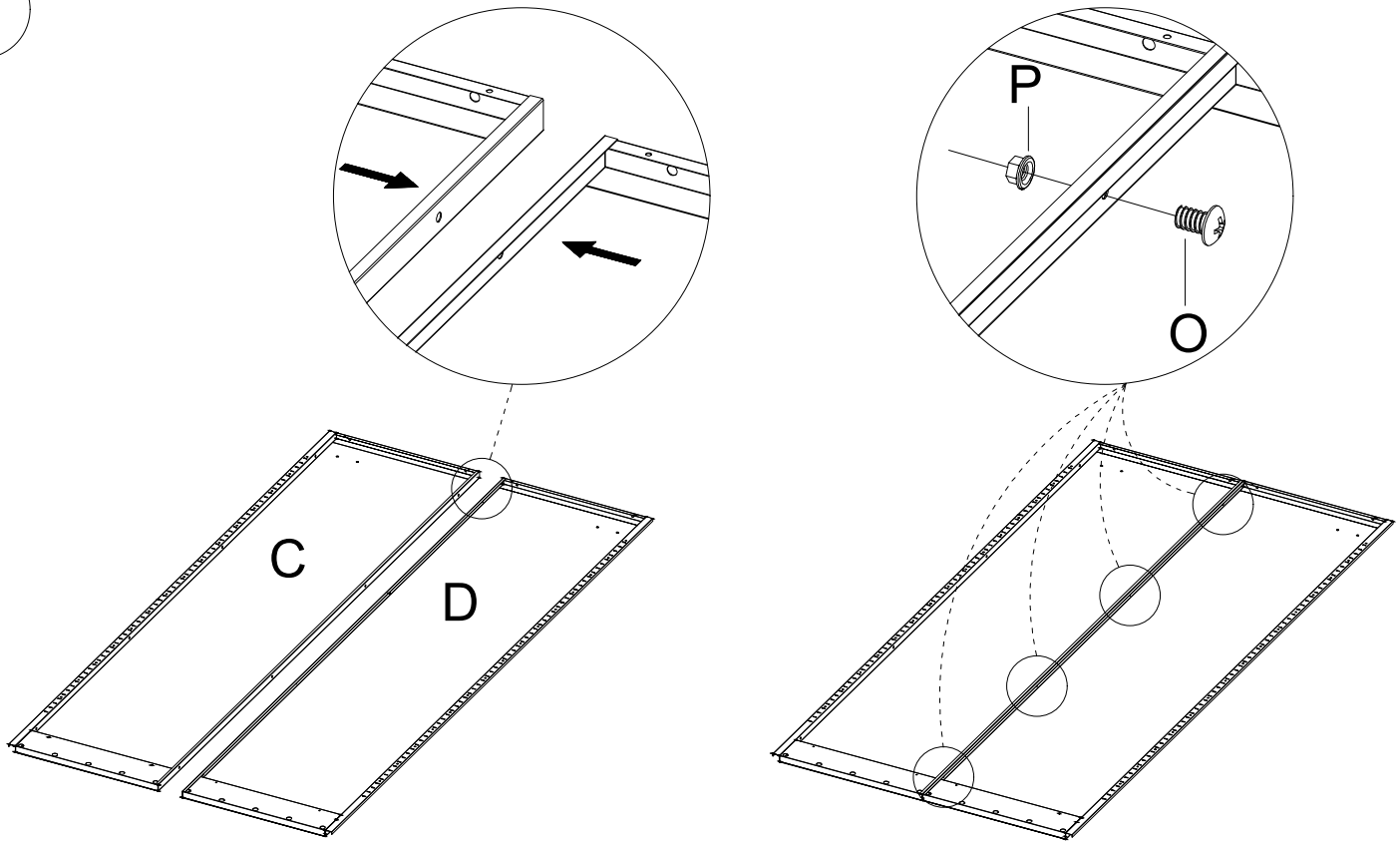


A×1 		B×1 		C×1 		D×1 		
E×1 		F×1 		G×1 		H×1 		
I×1 		J×1 		K×2 		L×4 		
M×4 	N×41 	O×4 	P×4 	Q×16 	R×2 	S×4 	T×2 	U×2 Standby Application 



x2

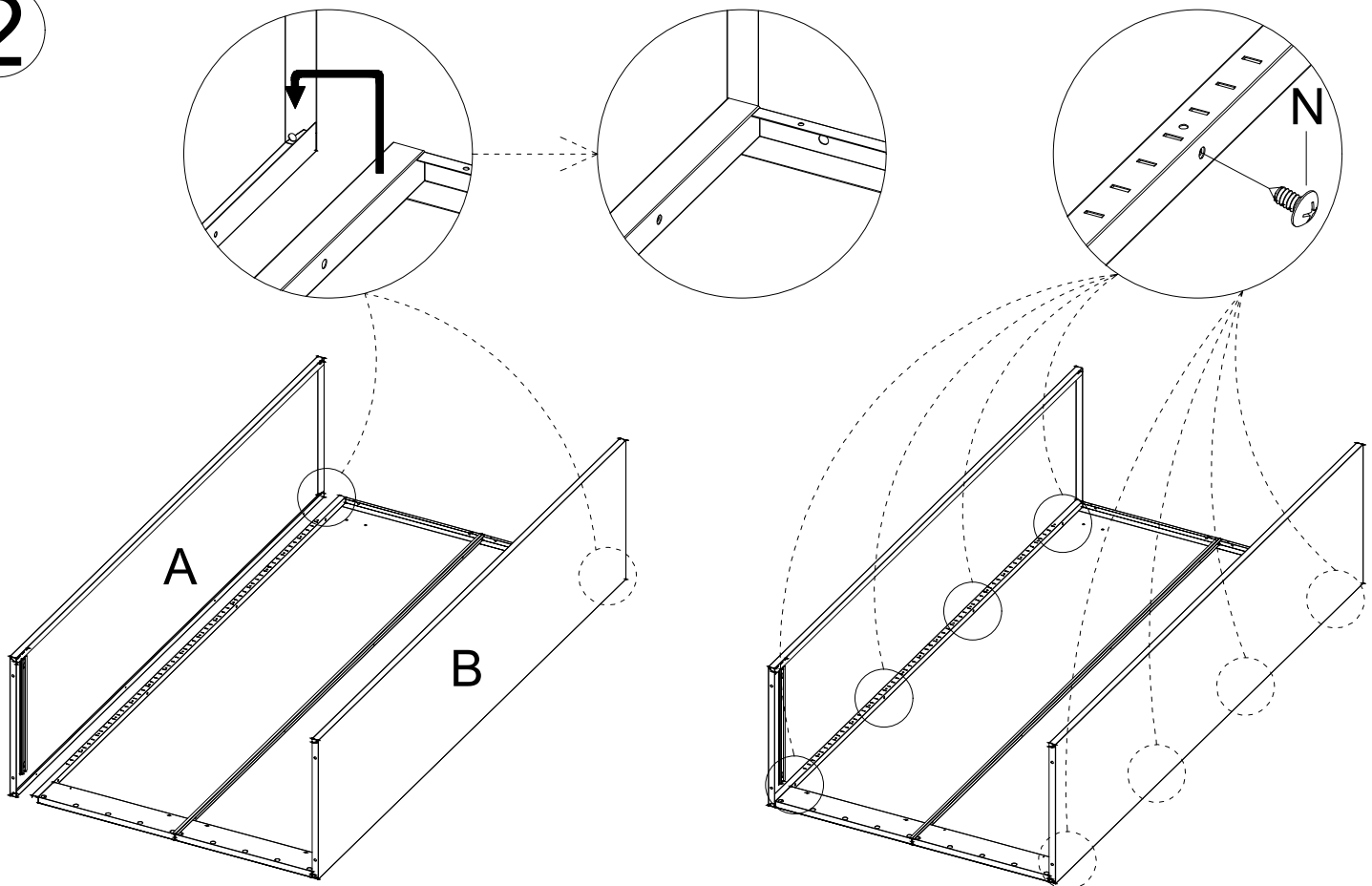
1



Ox4

Px4

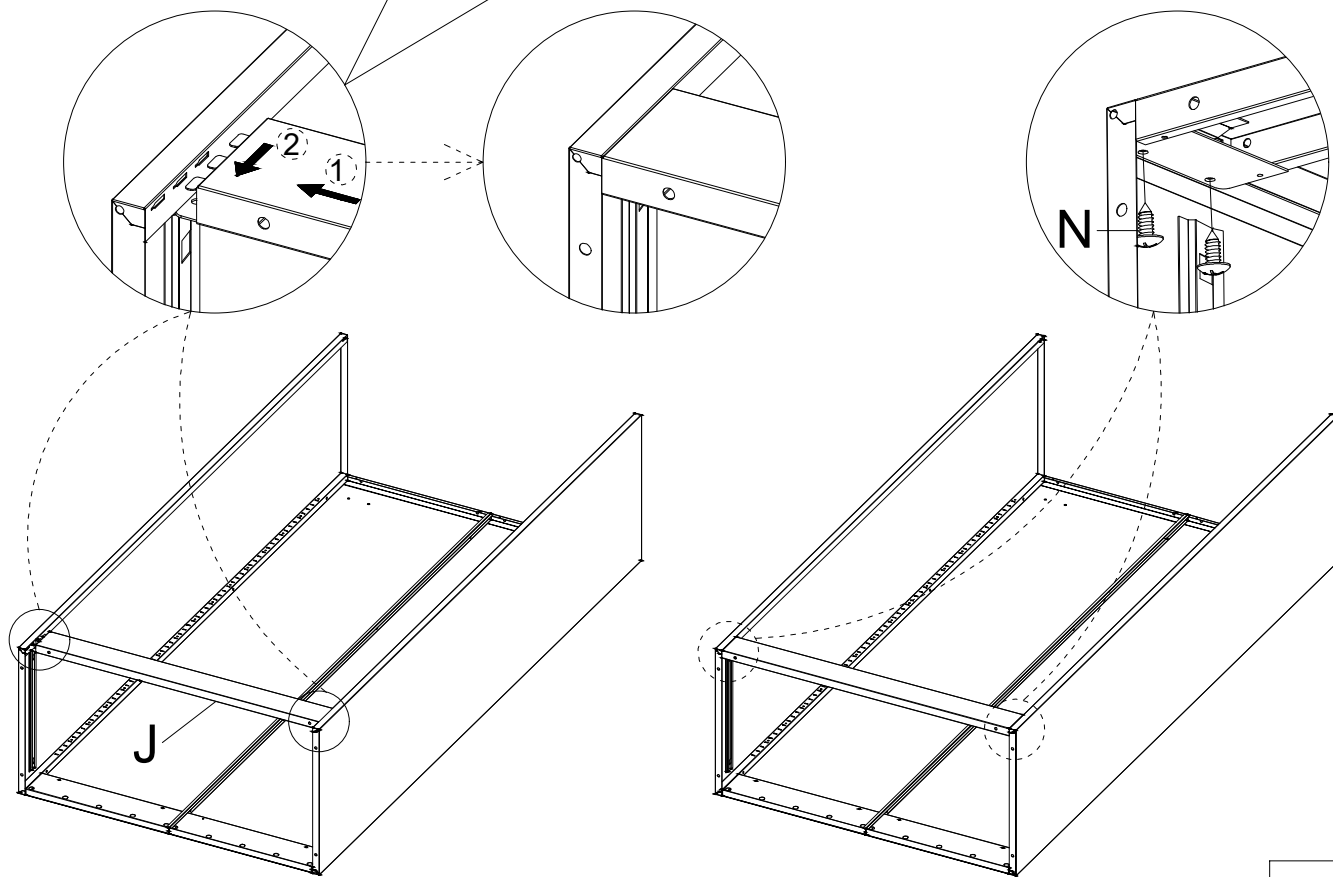
2



Nx8

3

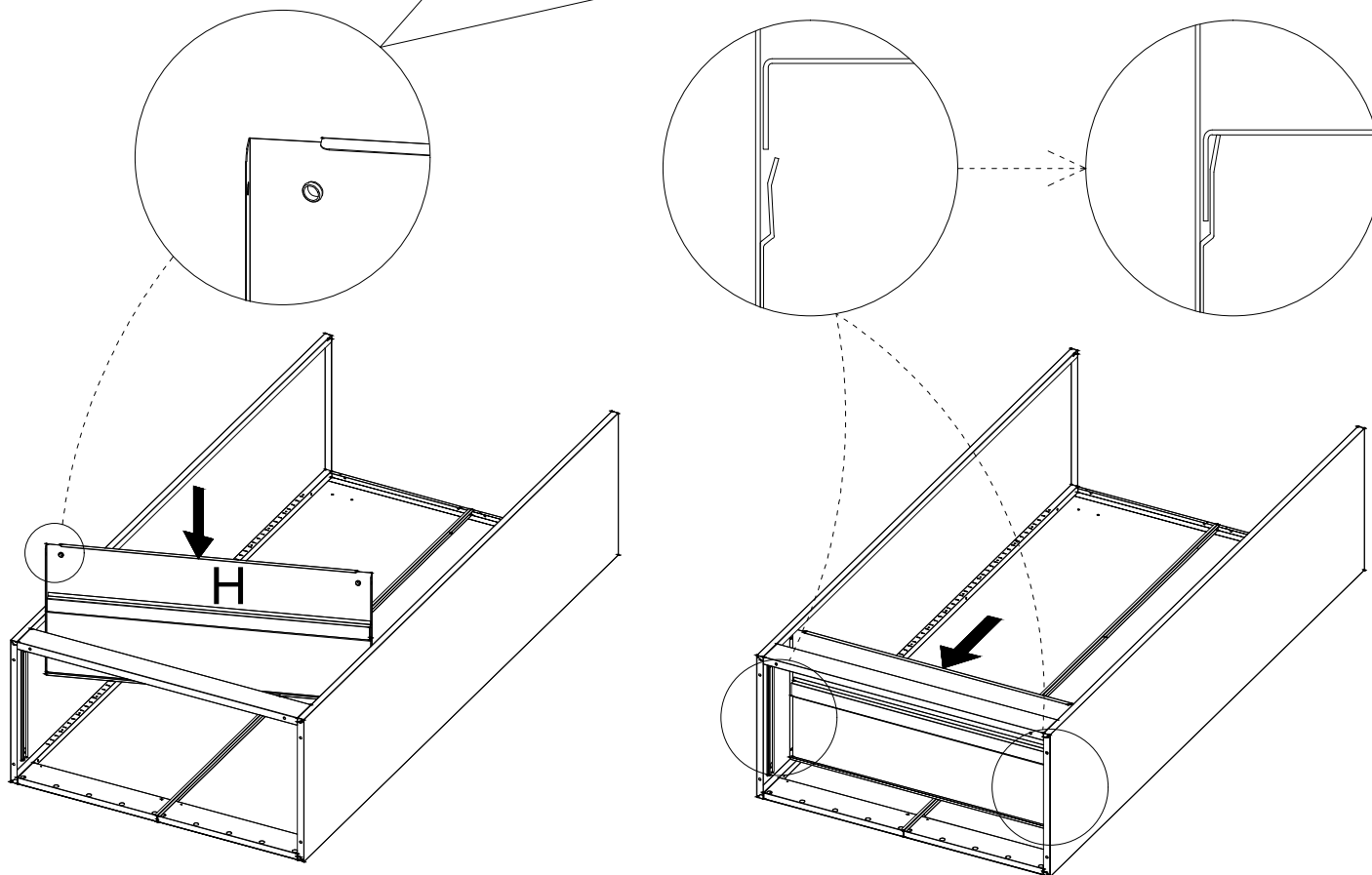
Snap the three buckles on either side of Part J into the three holes in both side panels and then push it down so that it snaps into the bottom of the cabinet.



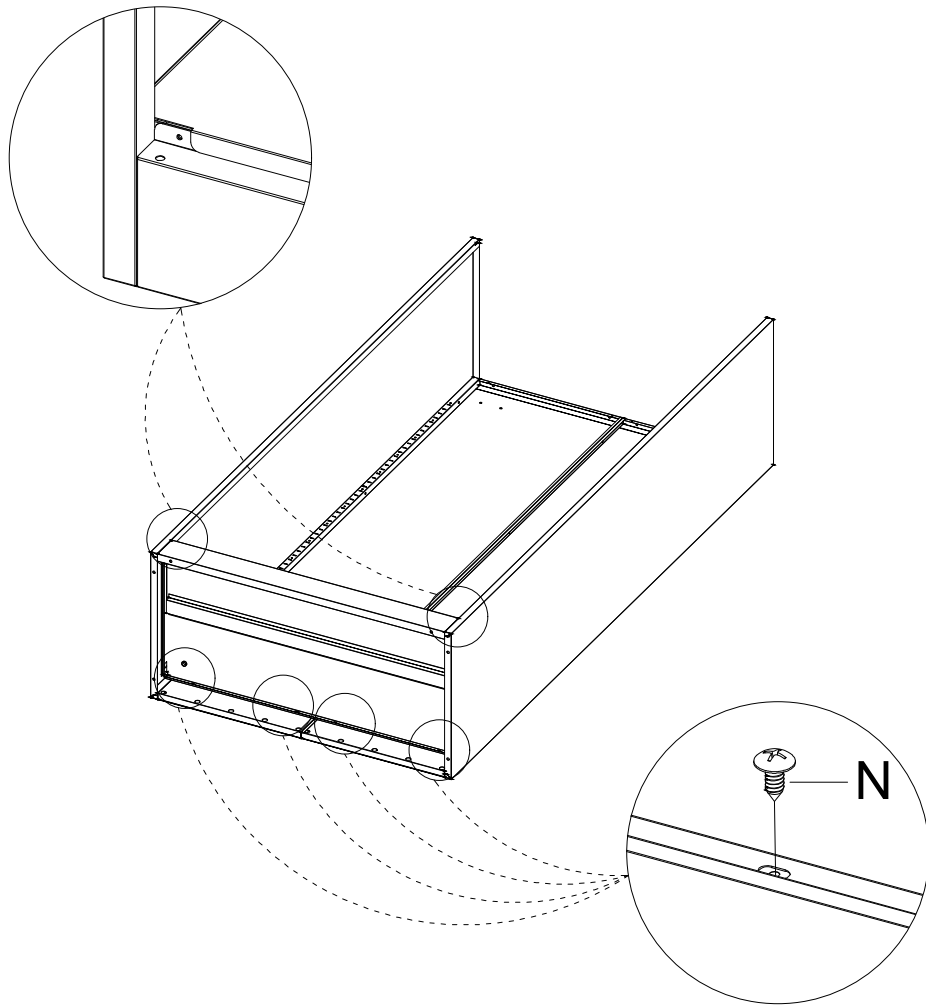
N×4

4

When placing Part H, place the notched side facing forward.



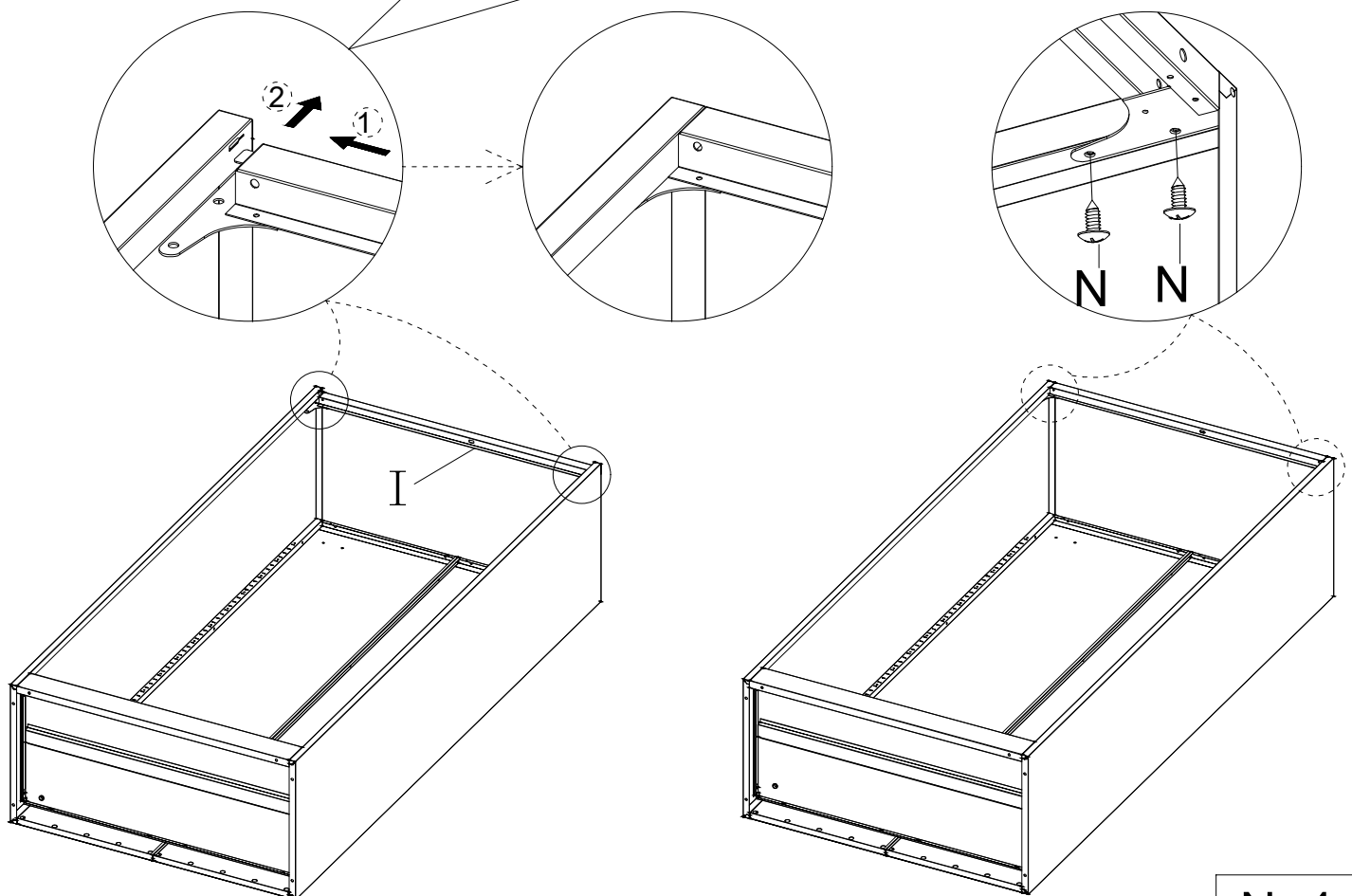
5



N×4

6

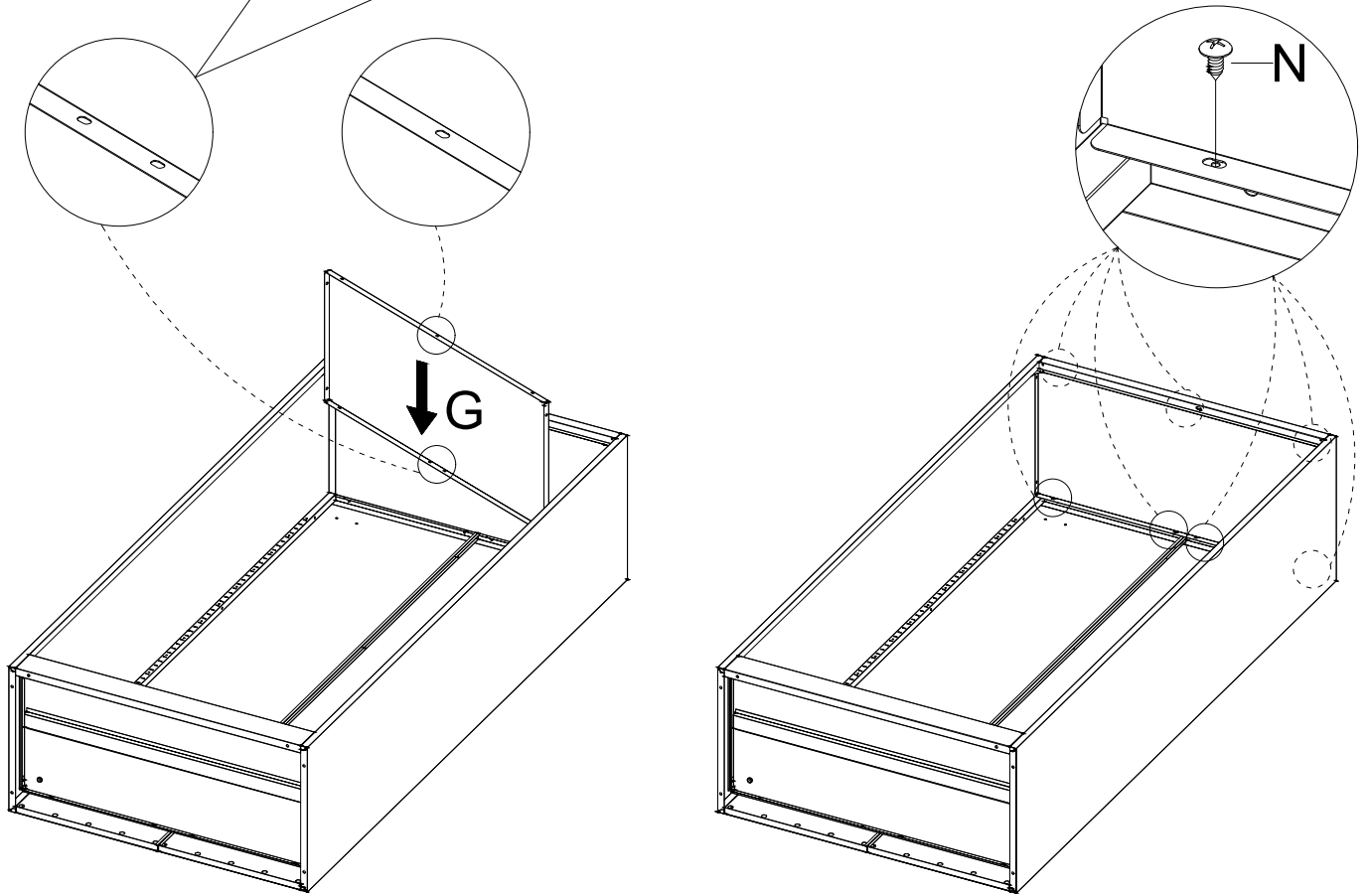
Snap the buckle on both sides of Part I into the hole in both side panels and push it up so that it snaps into the top of the cabinet.



N×4

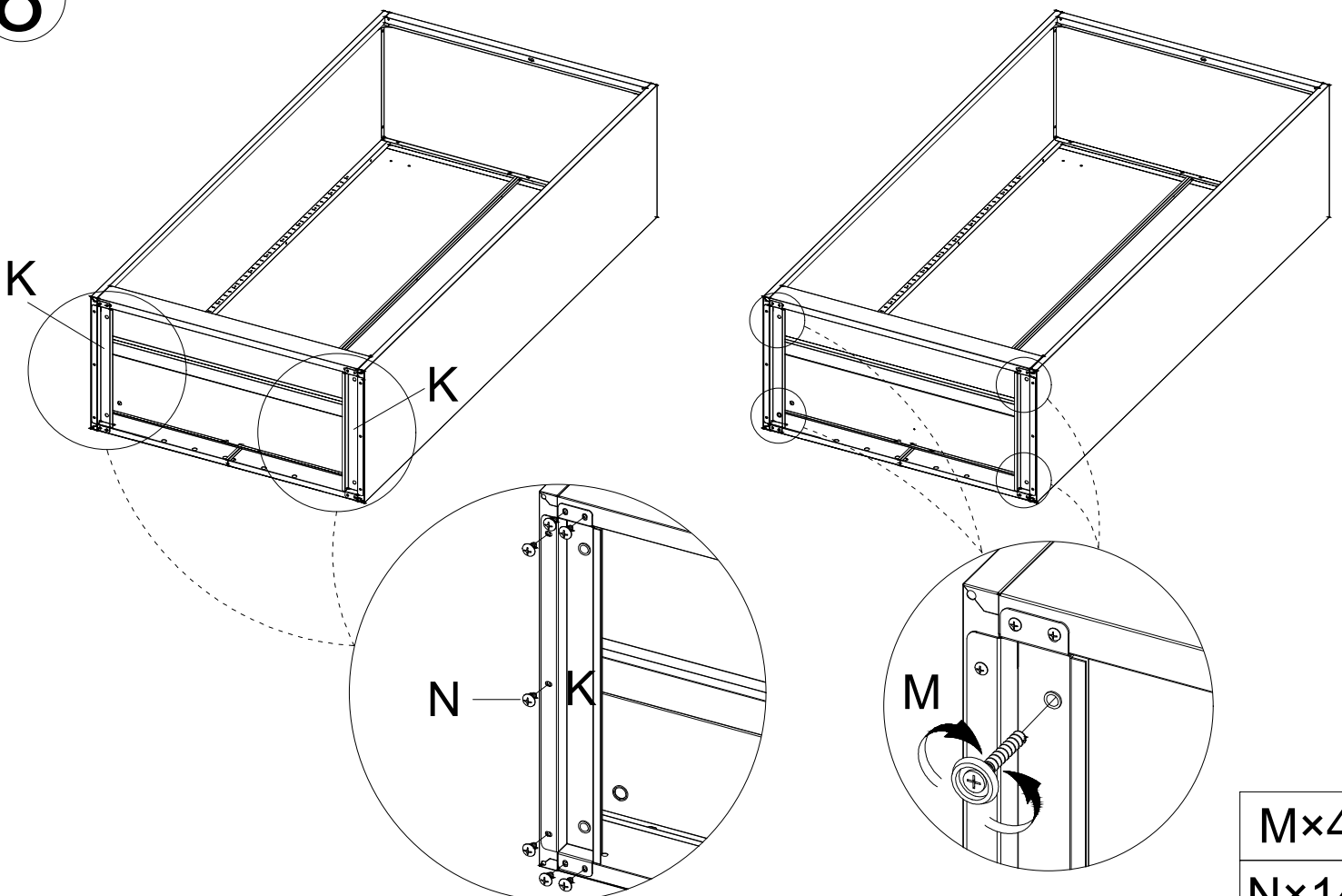
7

Part G has two holes facing backward on one side.



N×7

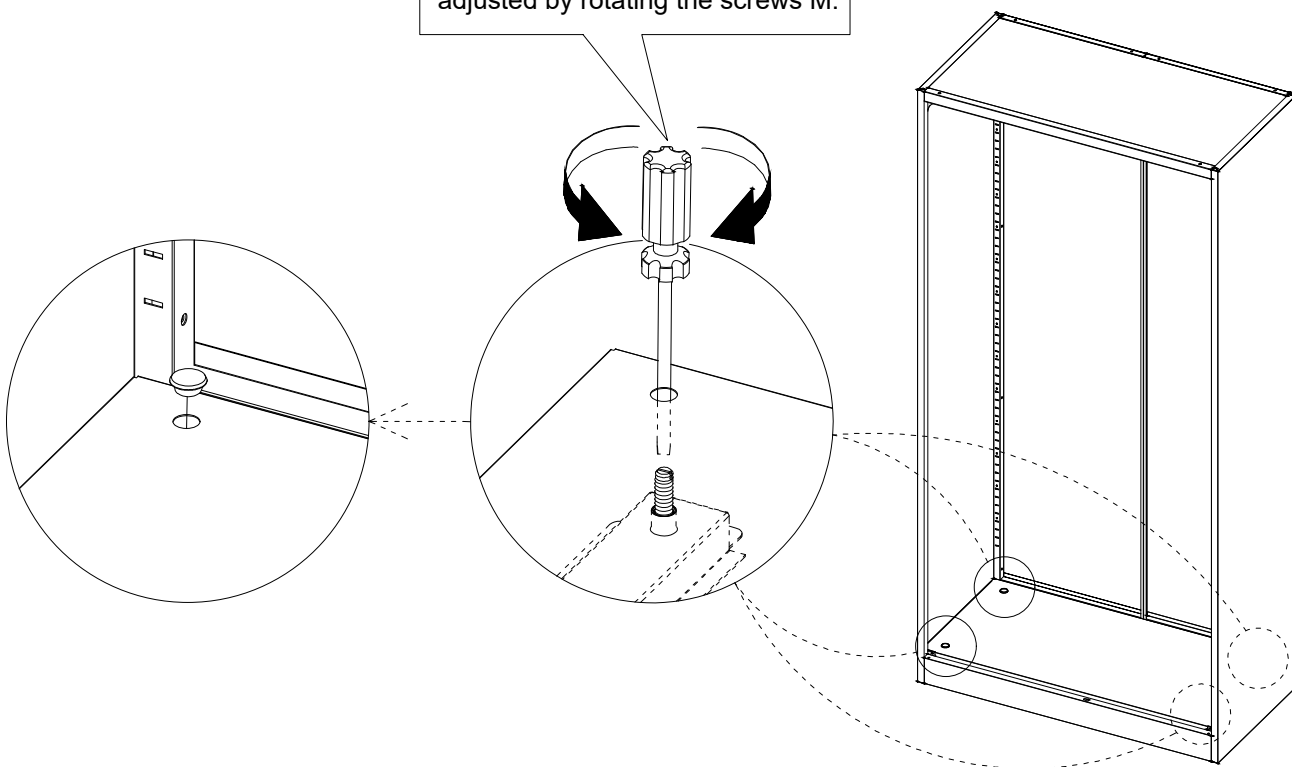
8



M×4
N×14

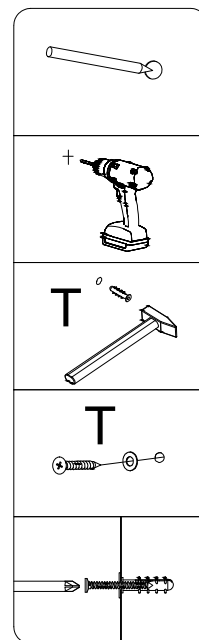
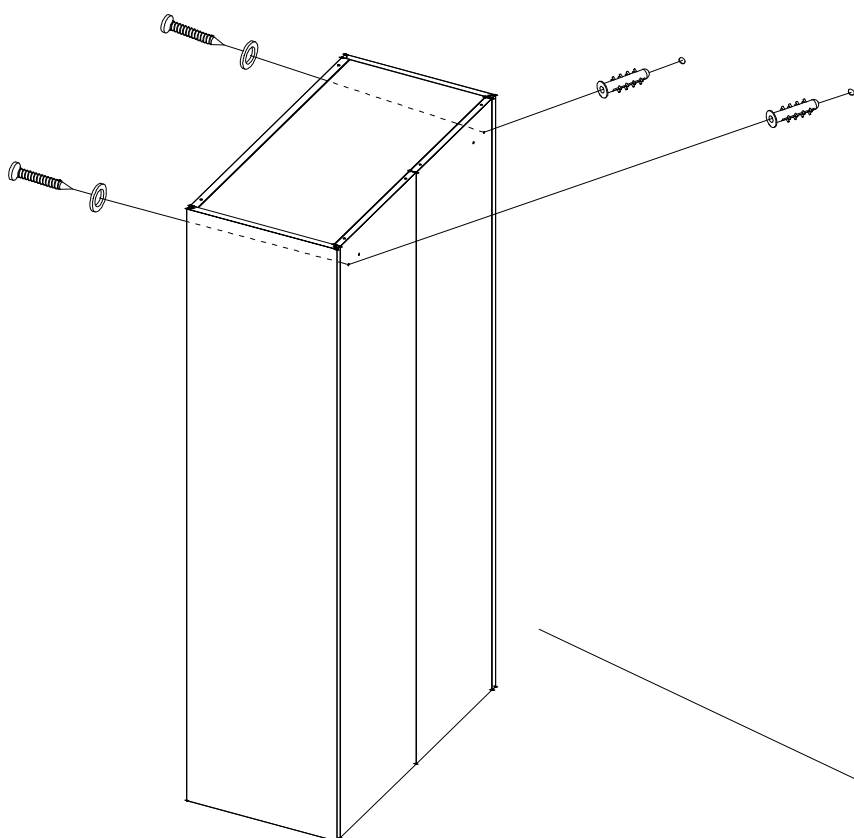
9

If the ground is uneven, it can be adjusted by rotating the screws M.



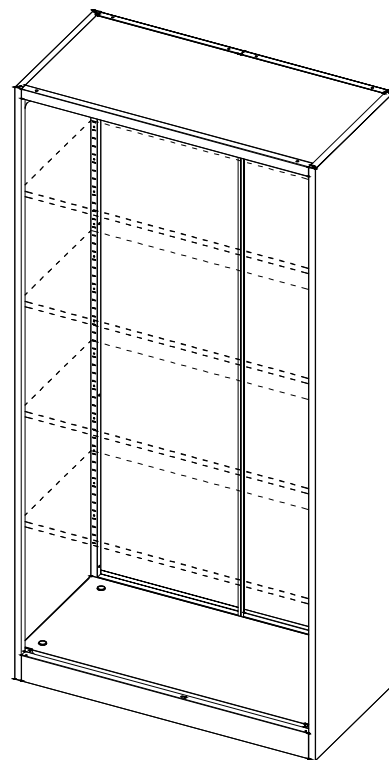
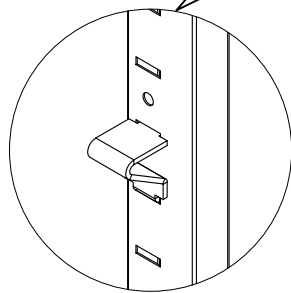
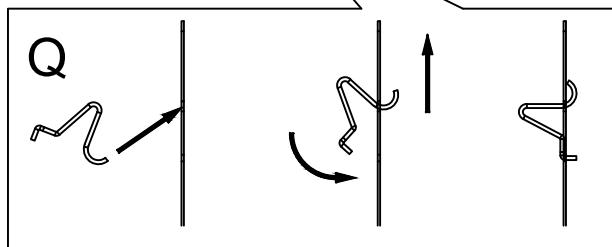
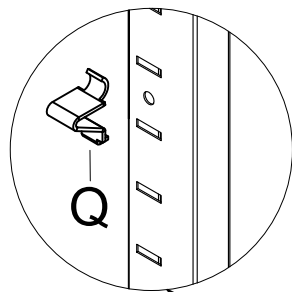
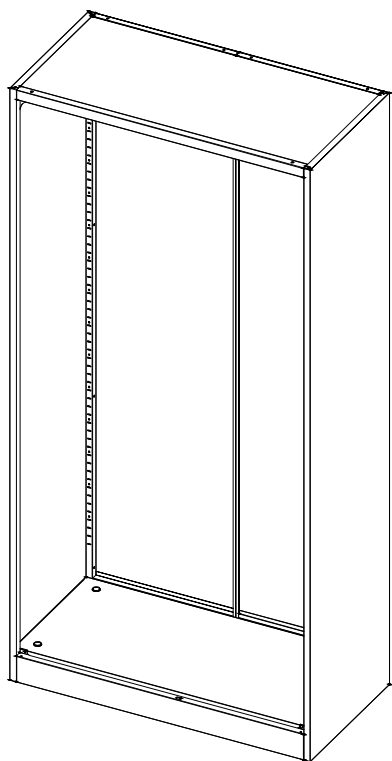
10

The cabinet can be fixed to the wall as needed.



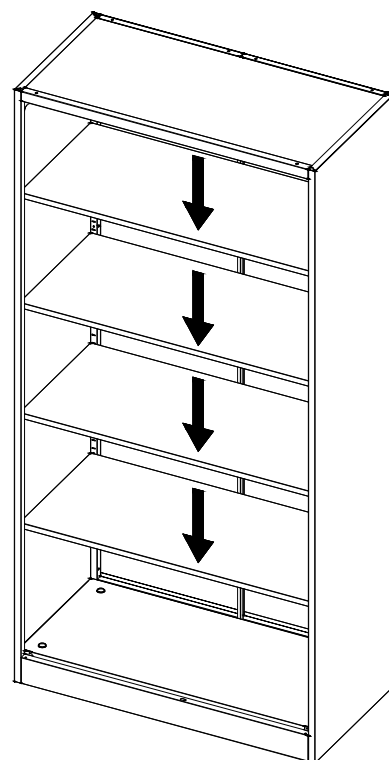
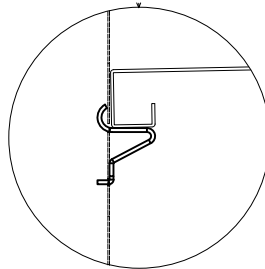
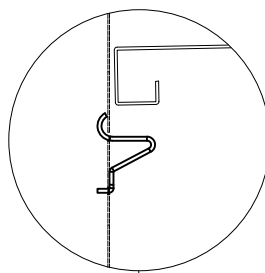
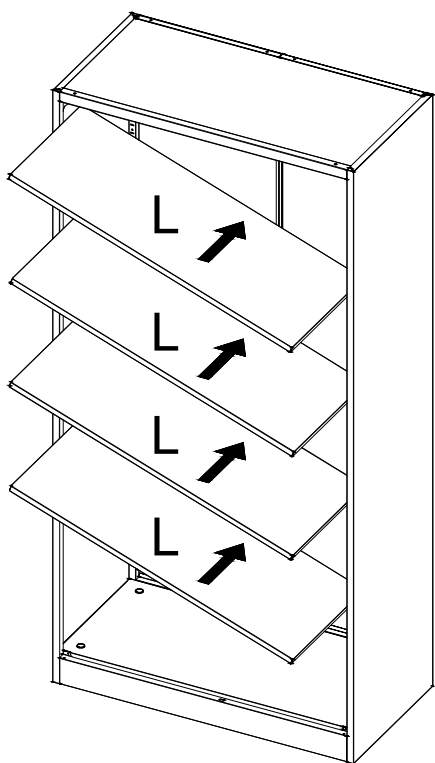
T×2

11



Q×16

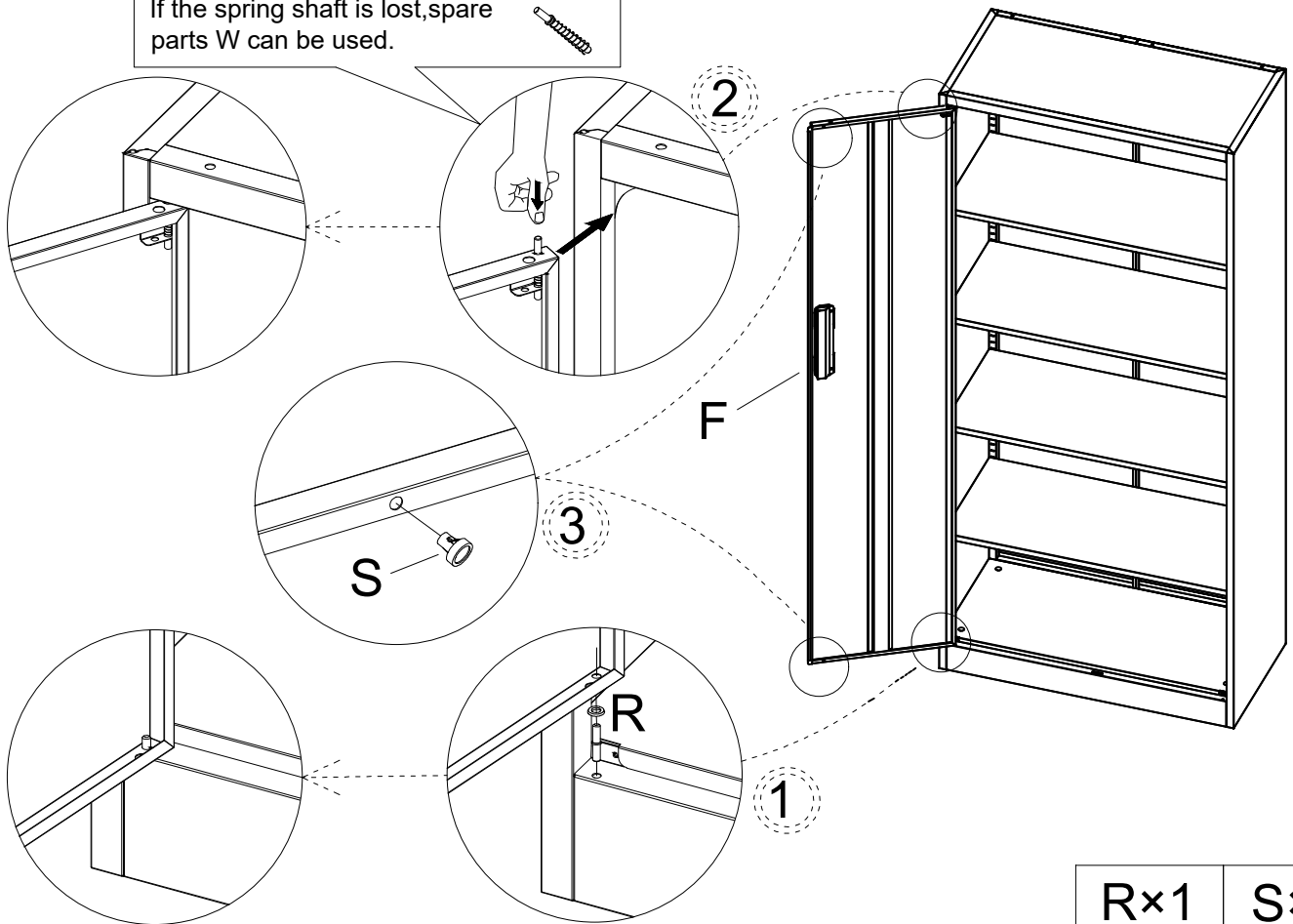
12



13

Install the door on one side by first installing the door shaft screw R, then by pressing the spring screw on the top of the door.

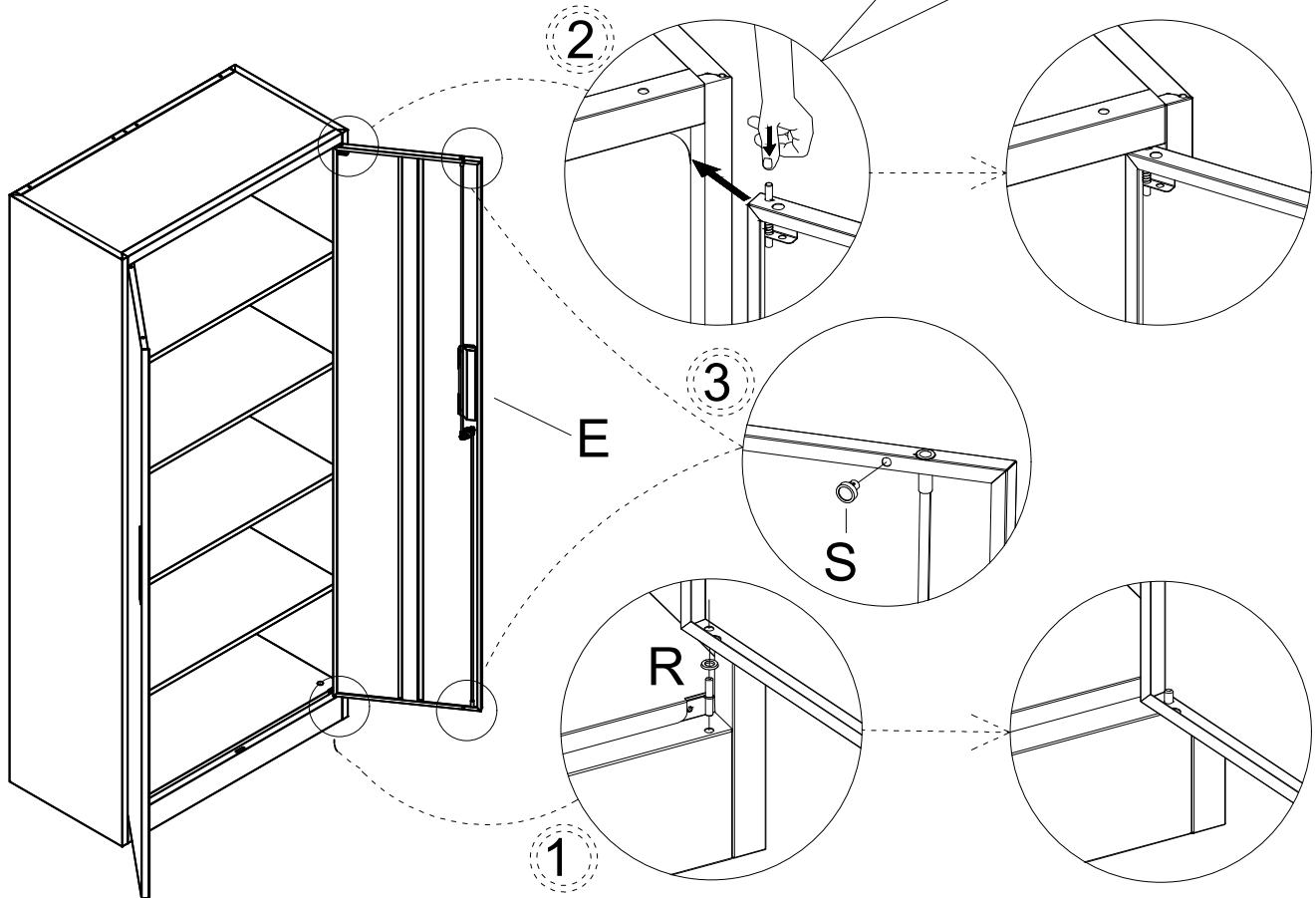
If the spring shaft is lost, spare parts W can be used.



R x 1	S x 2
-------	-------

14

If the spring shaft is lost, spare parts W can be used.



R x 1	S x 2
-------	-------

15

