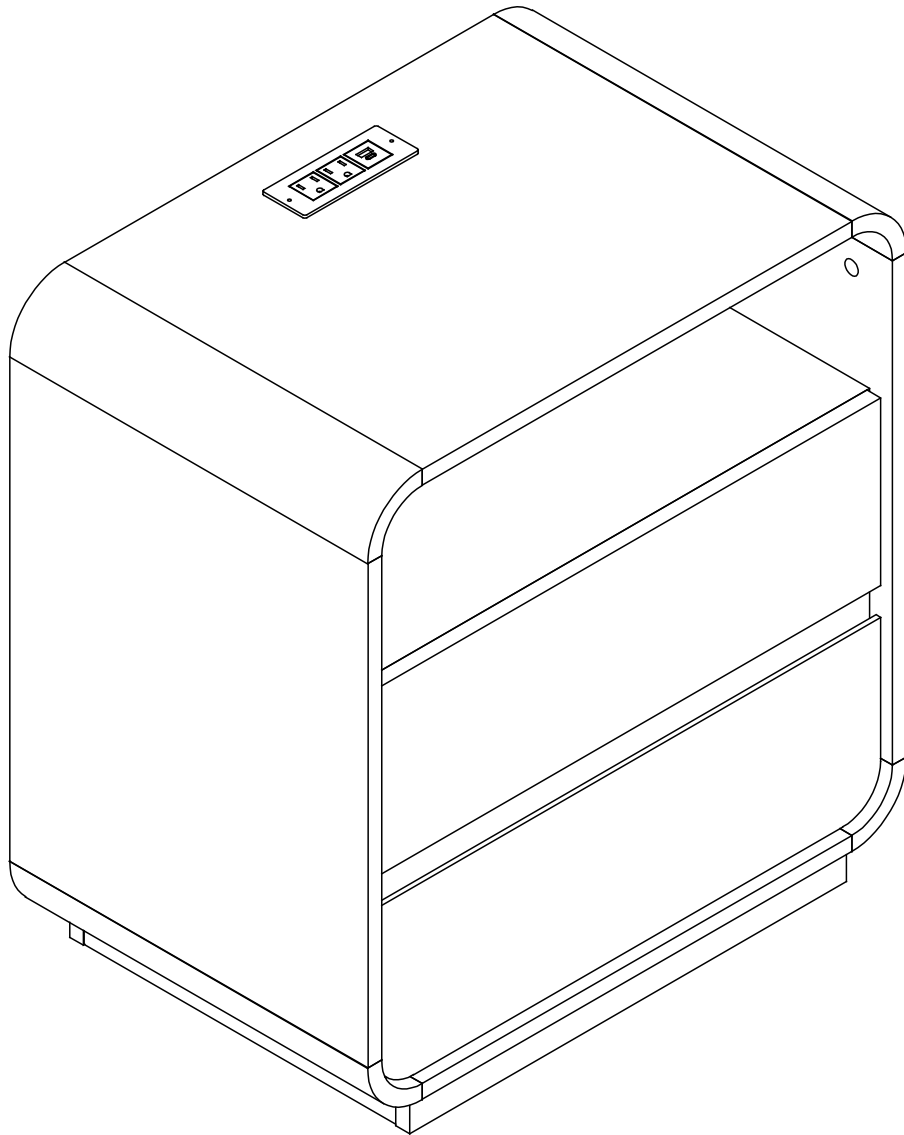
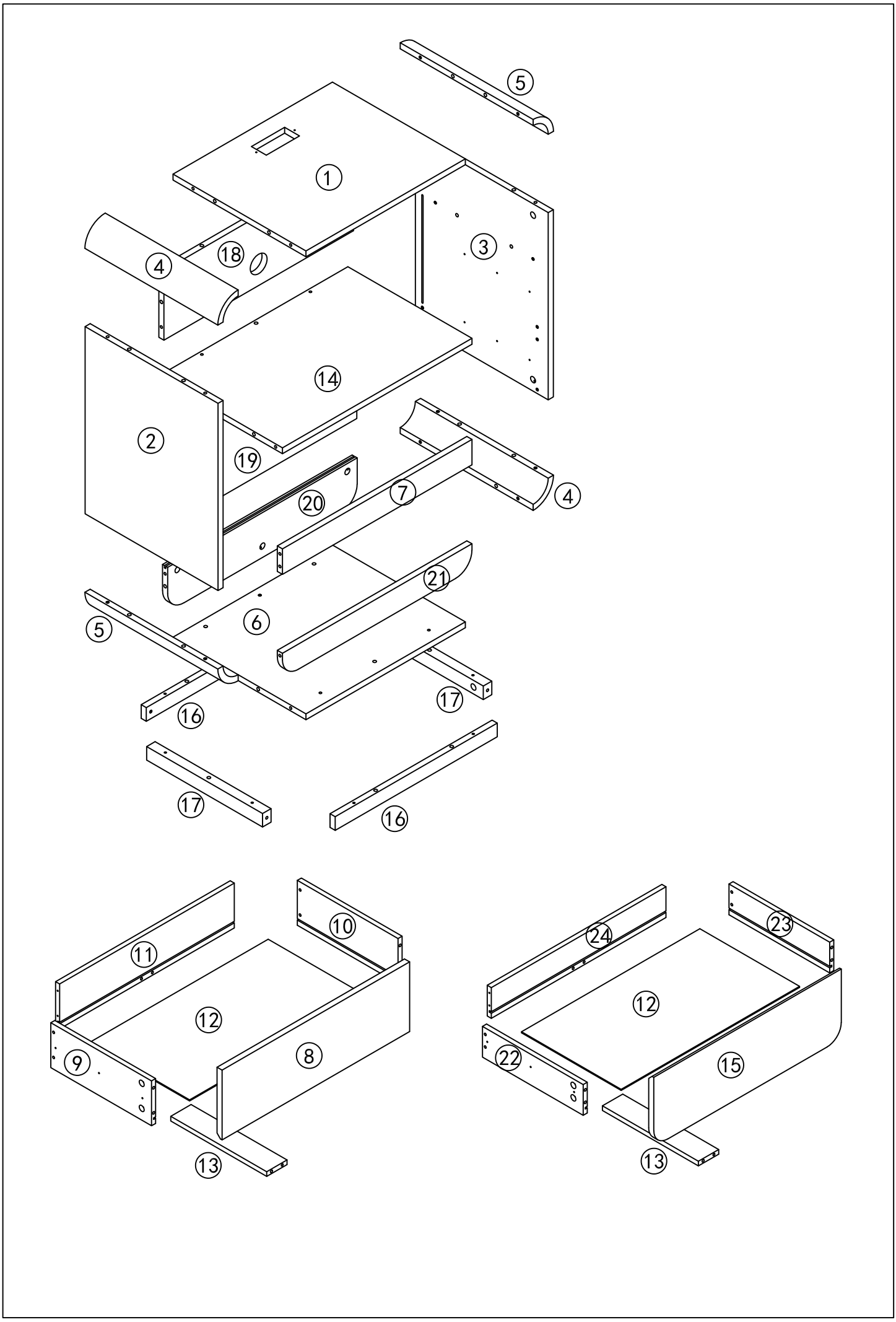
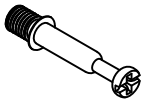

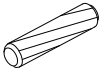
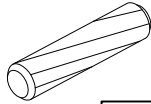


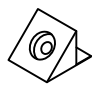


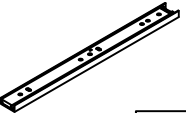



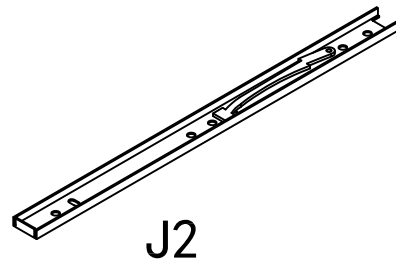
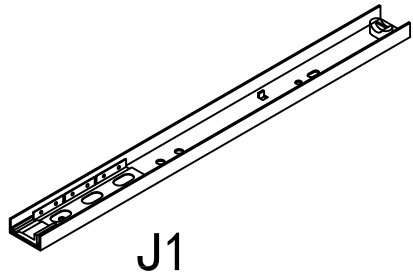
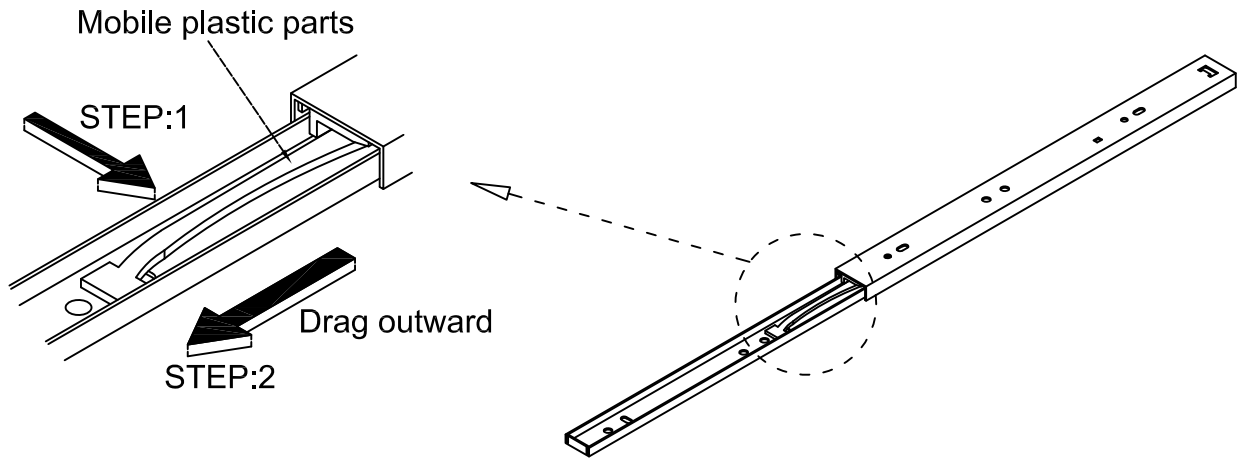
# Installation & Assembly



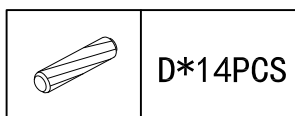
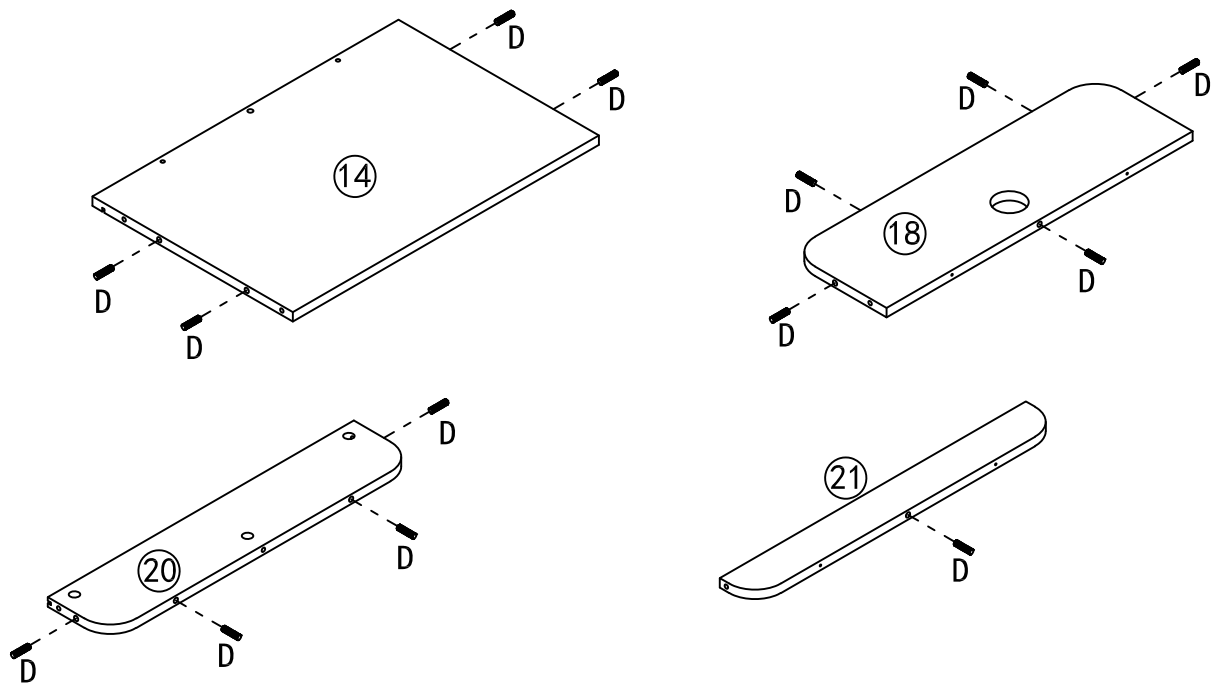


<p>A</p>  <p>46+2PCS</p>	<p>B</p>  <p>46+2PCS</p>	<p>C</p>  <p>Ø6*30MM 4PCS</p>	<p>D</p>  <p>Ø8*30MM 36+2PCS</p>
<p>E</p>  <p>M4*30MM 22+2PCS</p>	<p>F</p>  <p>Ø3.5*12MM 24+2PCS</p>	<p>G</p>  <p>4PCS</p>	<p>H</p>  <p>M3*16MM 4PCS</p>
<p>I</p>  <p>1PCS</p>	<p>J</p>  <p>4PCS</p>	<p>K</p>  <p>M3*12MM 2PCS</p>	

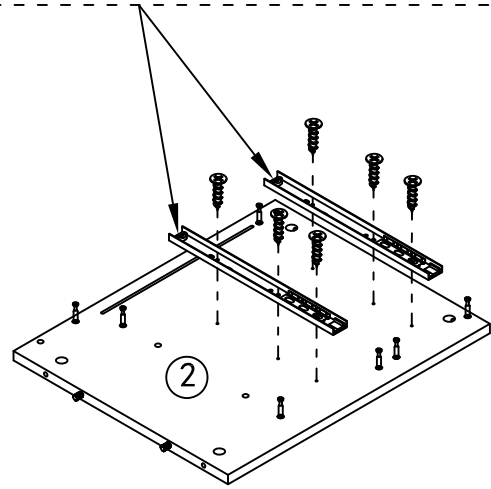
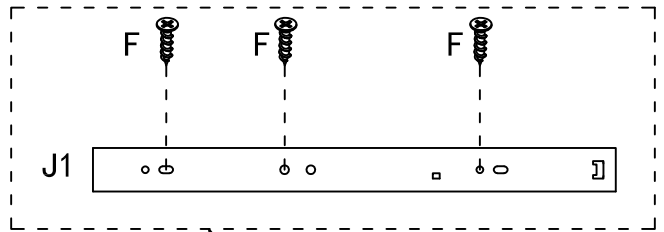
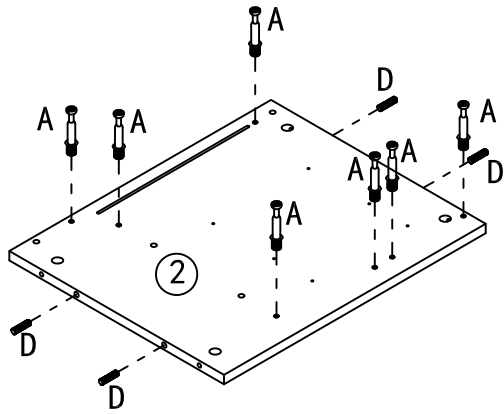
# STEP 1

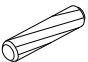





# STEP 2

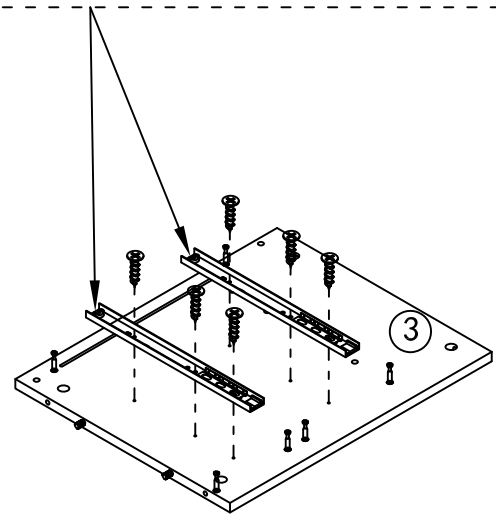
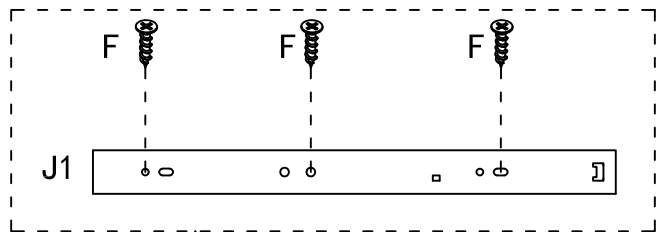
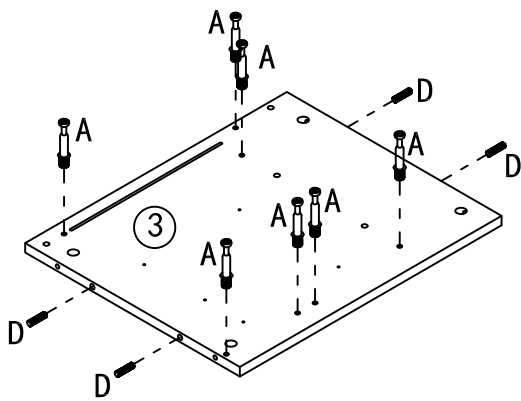






# STEP 3



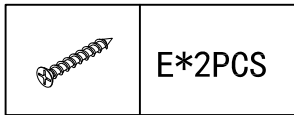
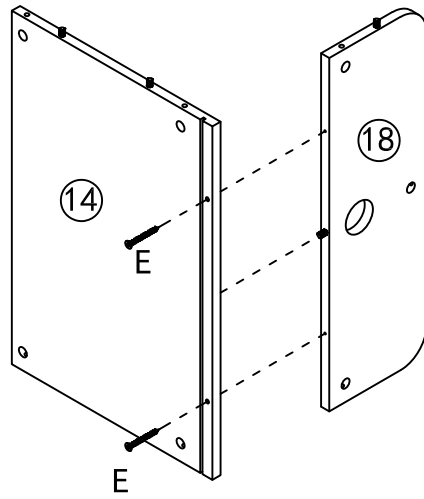
	D*4PCS		A*7PCS		F*6PCS		J1*2PCS
---	--------	---	--------	---	--------	--	---------

# STEP 4

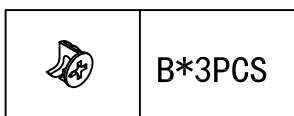
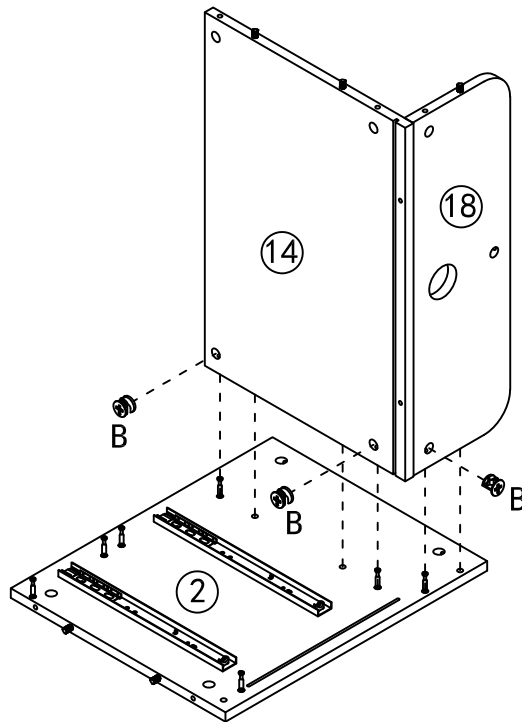


	D*4PCS		A*7PCS		F*6PCS		J1*2PCS
---	--------	---	--------	---	--------	--	---------

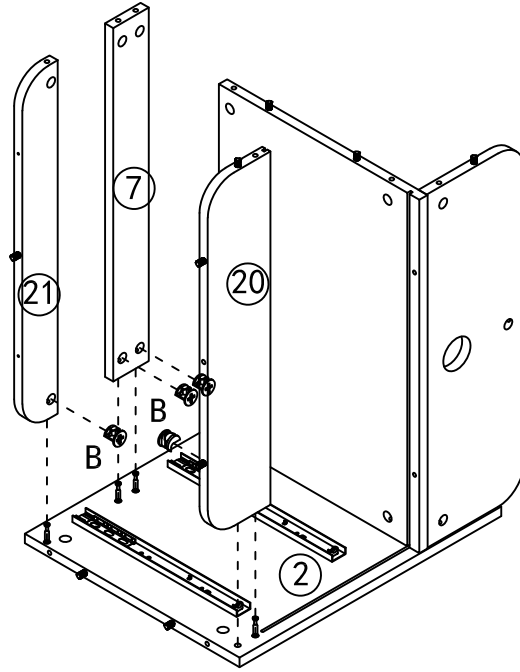
# STEP 5




# STEP 6

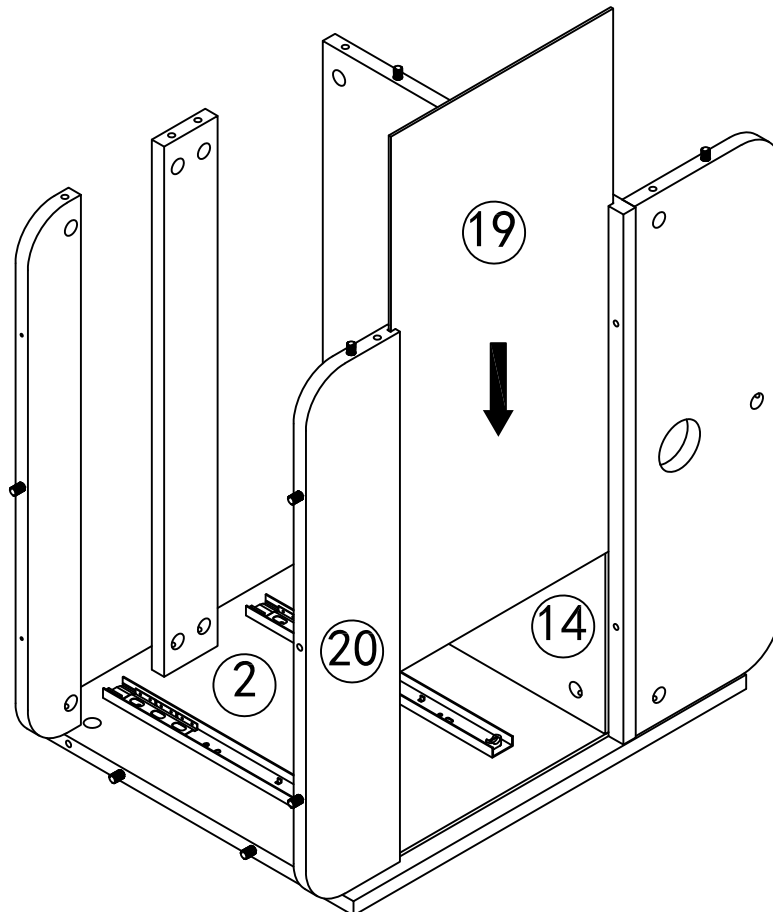


# STEP 7

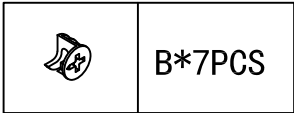
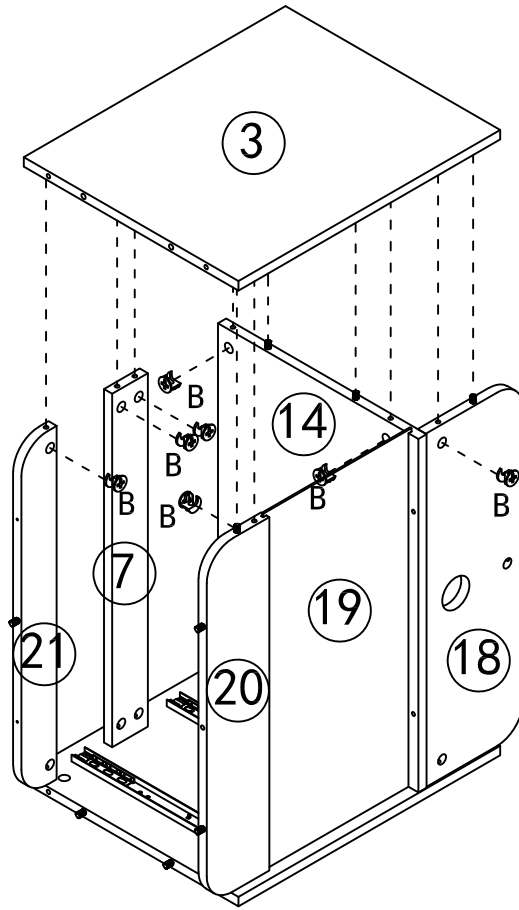


	B*4PCS
---	--------

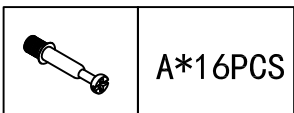
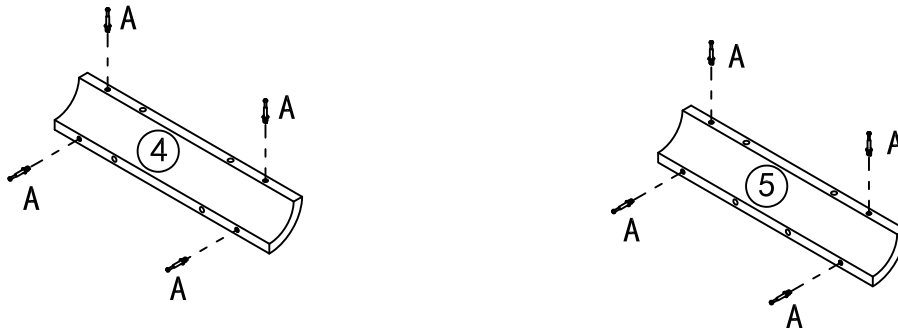
# STEP 8



# STEP 9

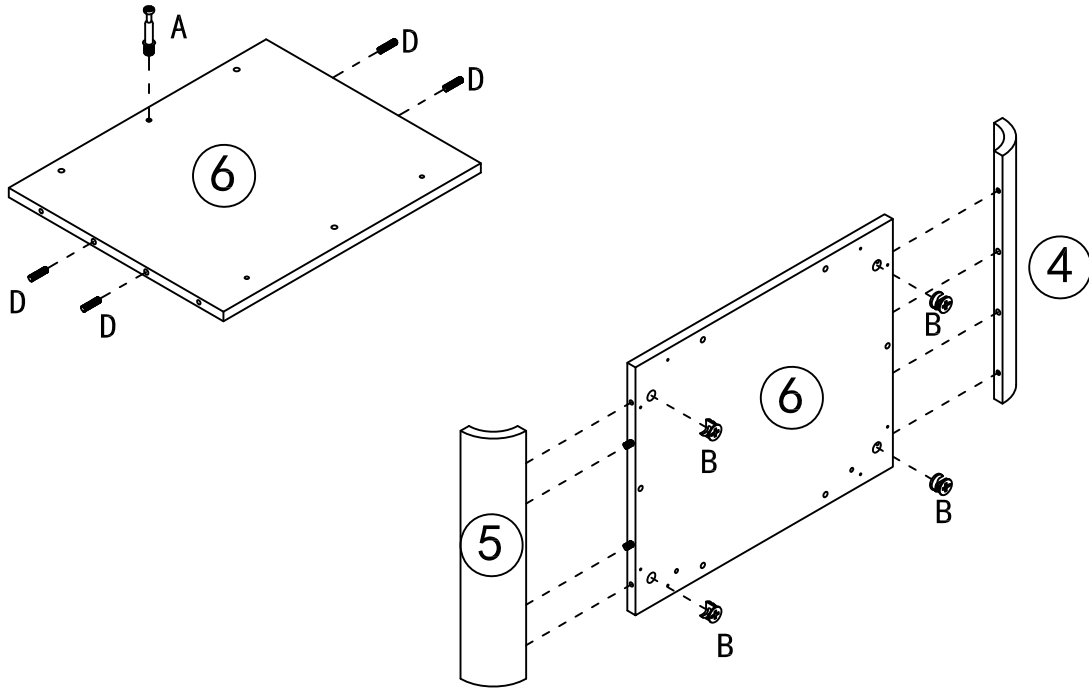



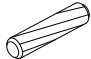

# STEP 10



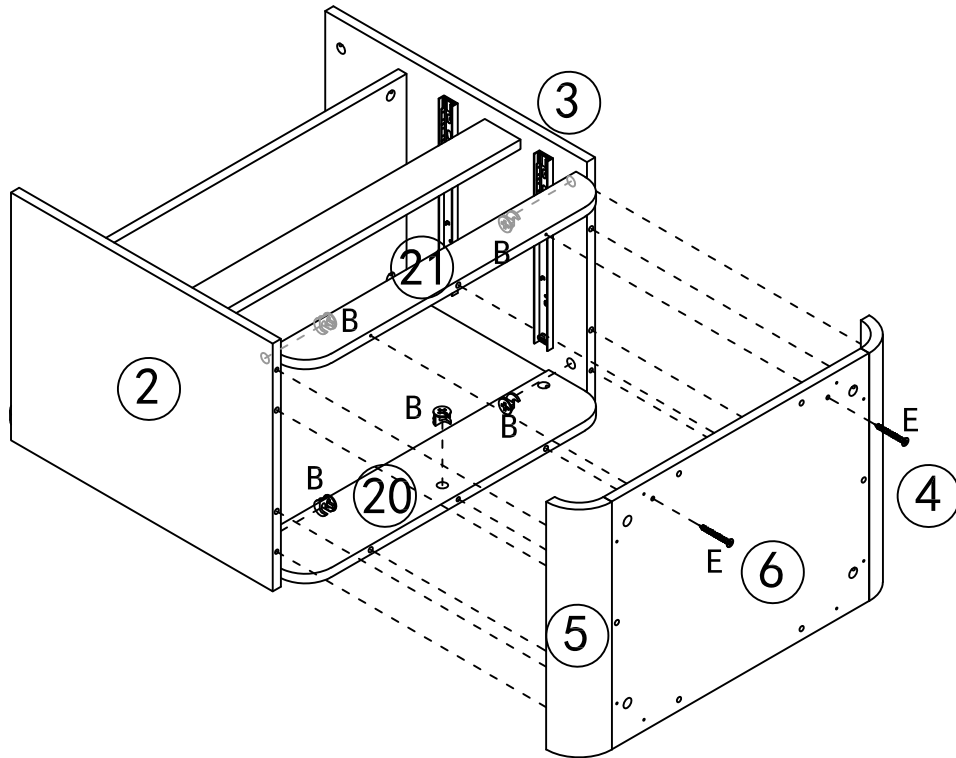
X2



# STEP 11



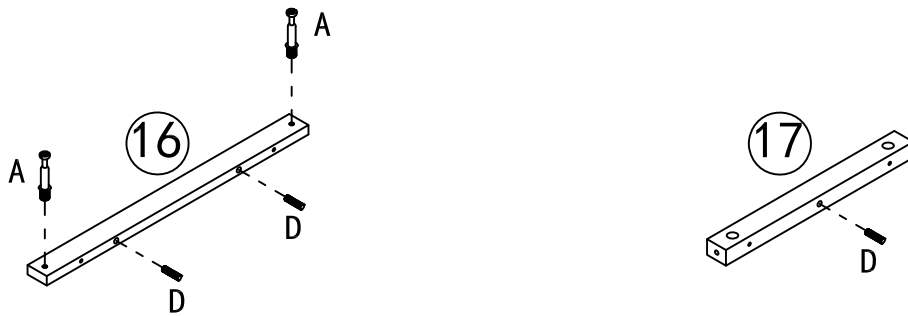
	B*4PCS		D*4PCS		A*1PCS
---	--------	---	--------	---	--------

# STEP 12



	B*5PCS		E*2PCS
---	--------	---	--------

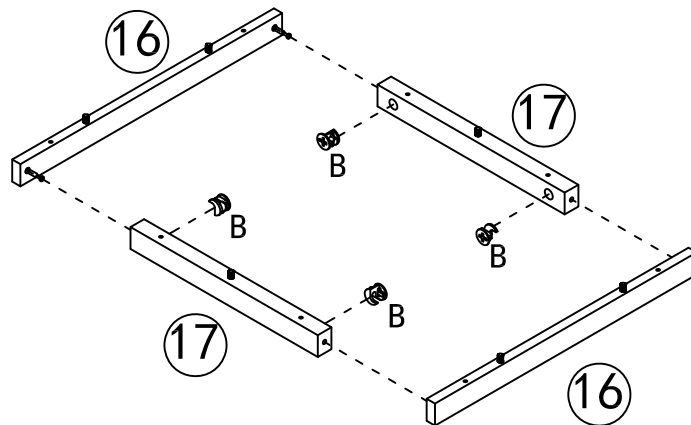
# STEP 13




	D*6PCS		A*4PCS
---	--------	---	--------

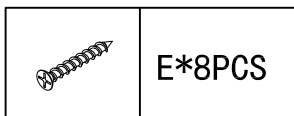
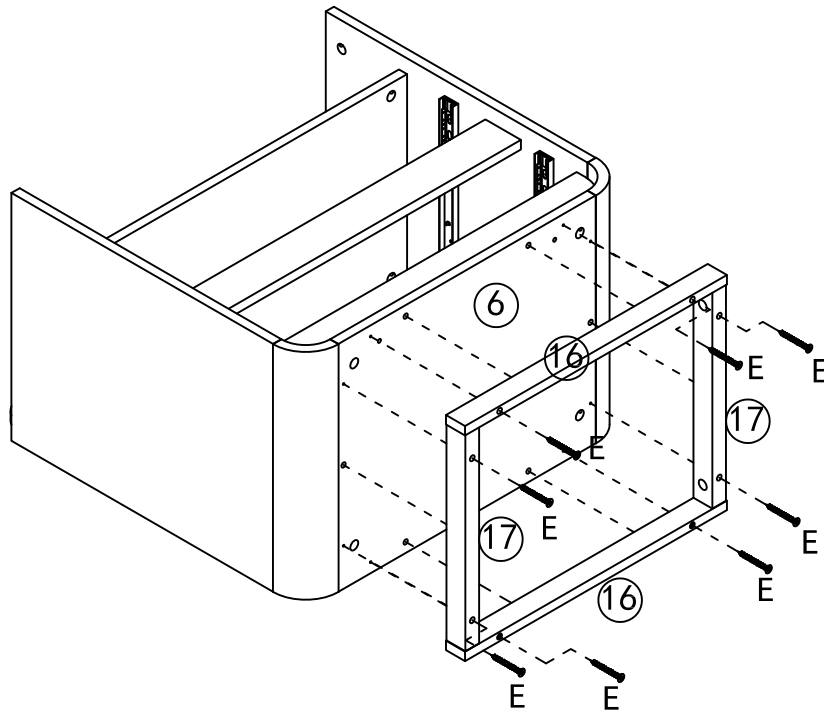
X2

# STEP 14

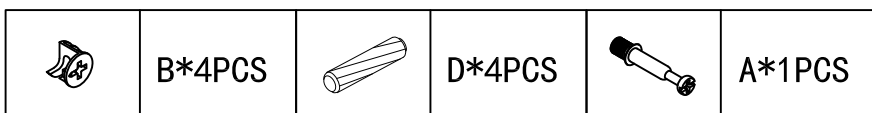
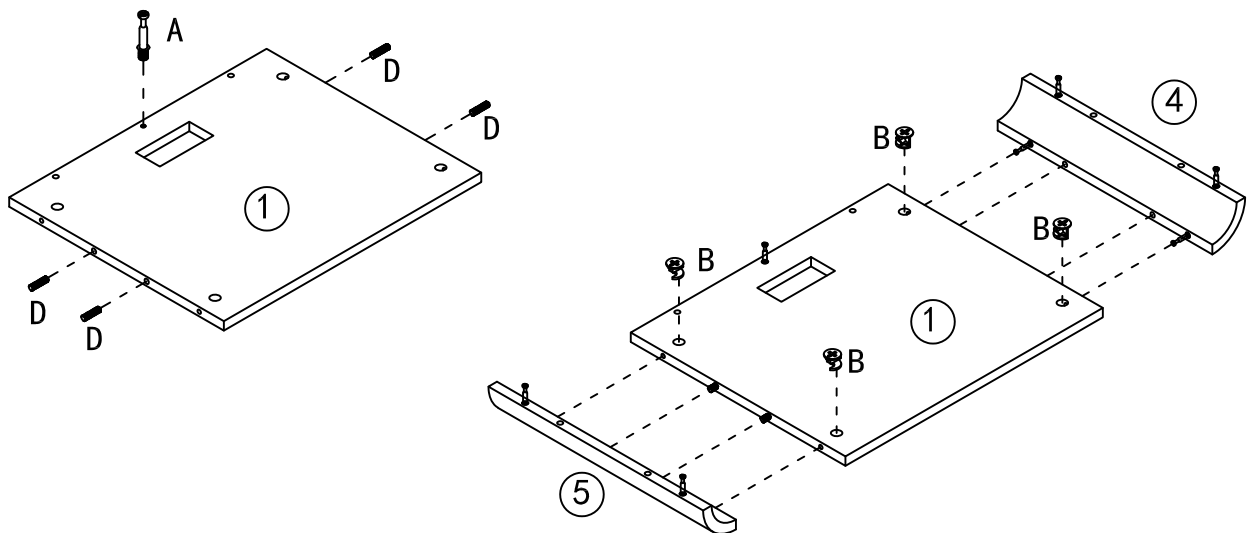


	B*4PCS
---	--------

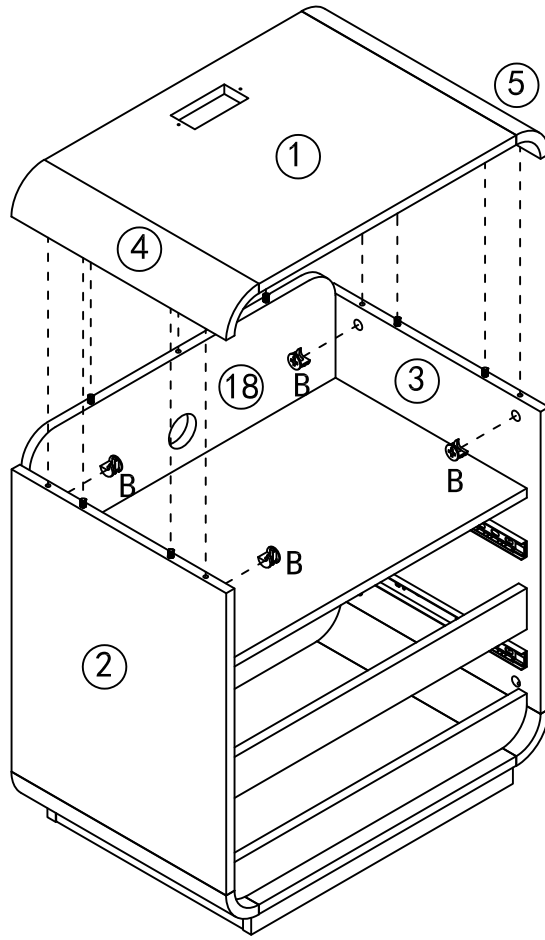
# STEP 15




# STEP 16

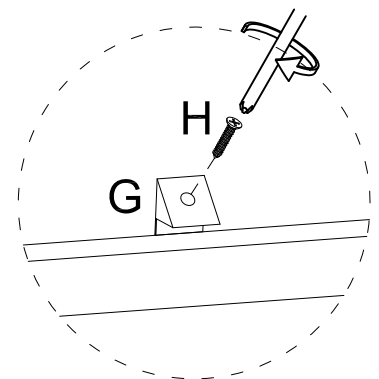
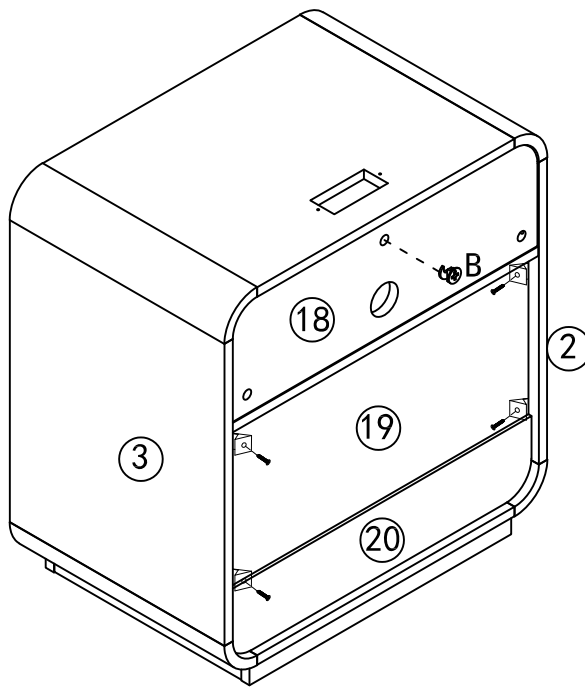





# STEP 17



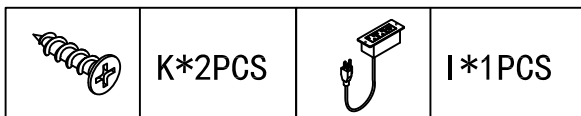
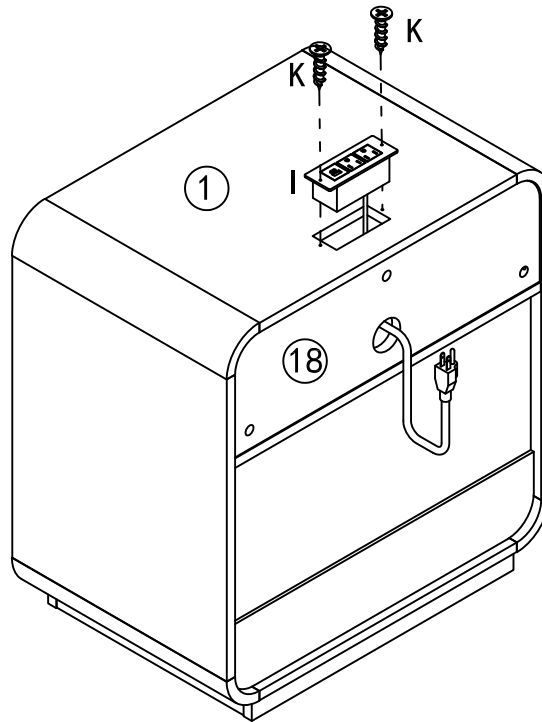
	B*4PCS
---	--------

# STEP 18

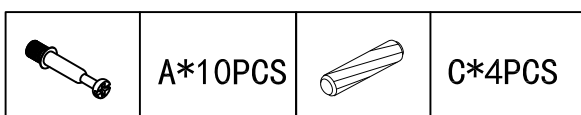
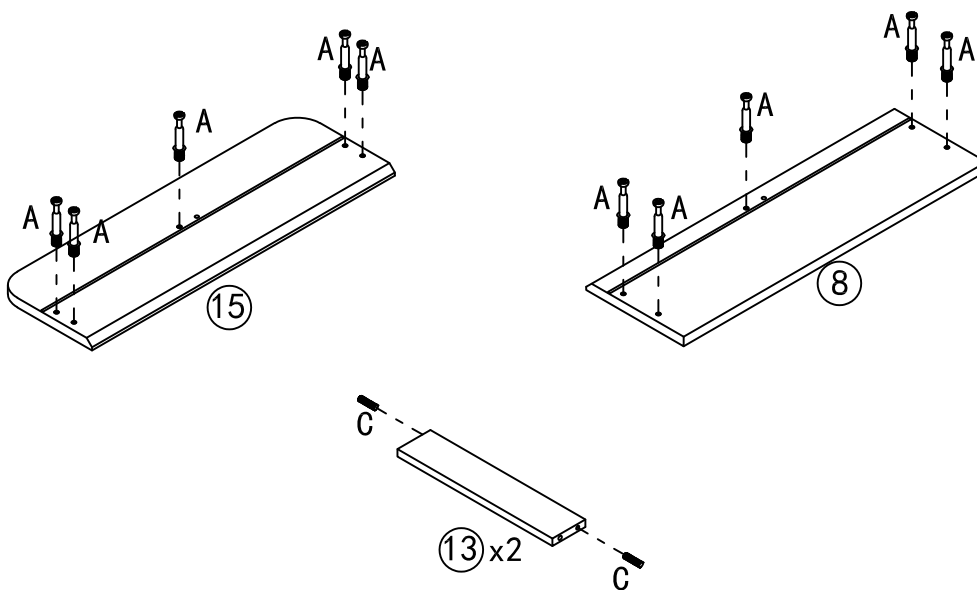


	B*1PCS		G*4PCS		H*4PCS
---	--------	---	--------	---	--------

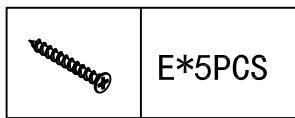
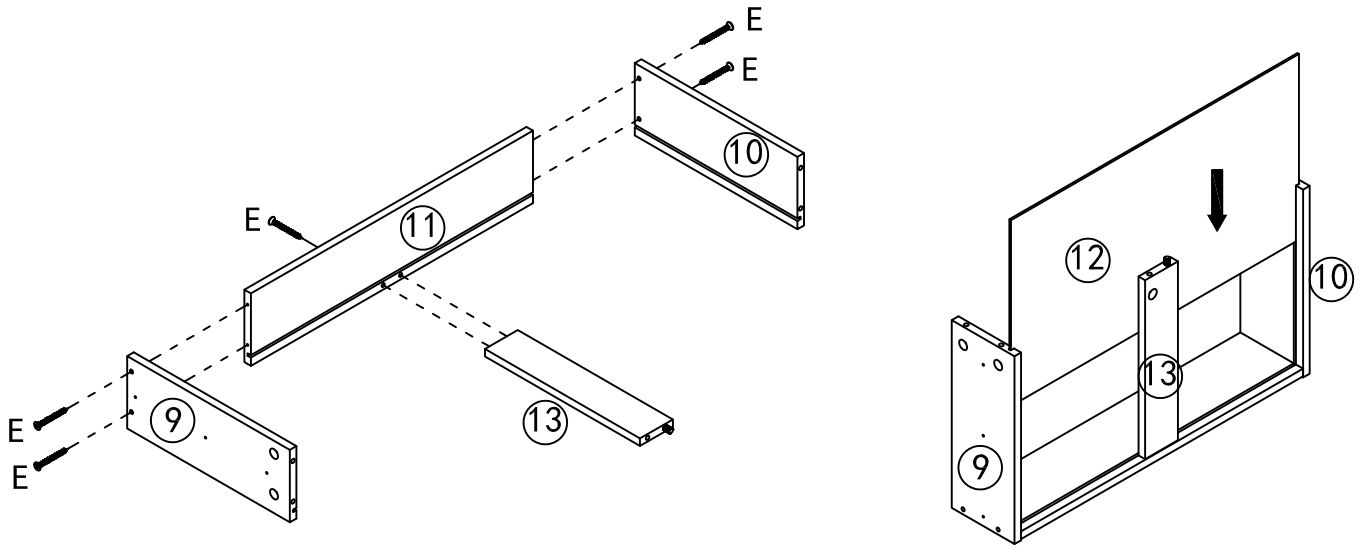
# STEP 19



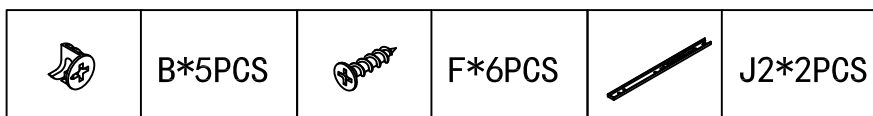
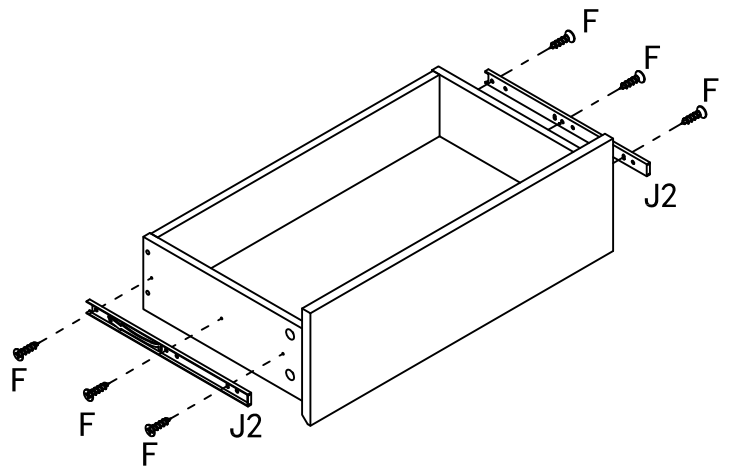
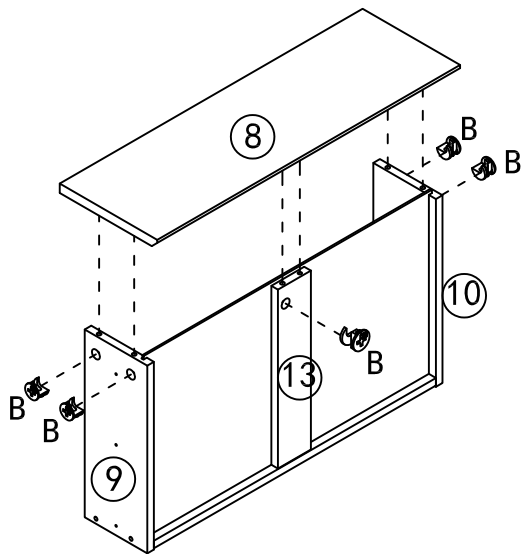
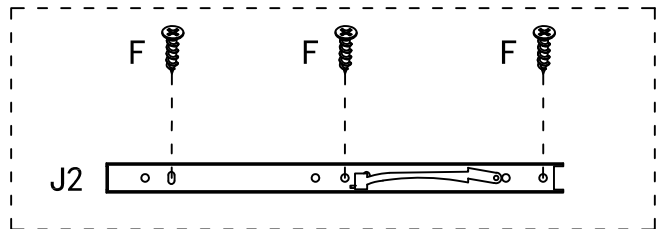
# STEP 20



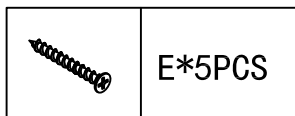
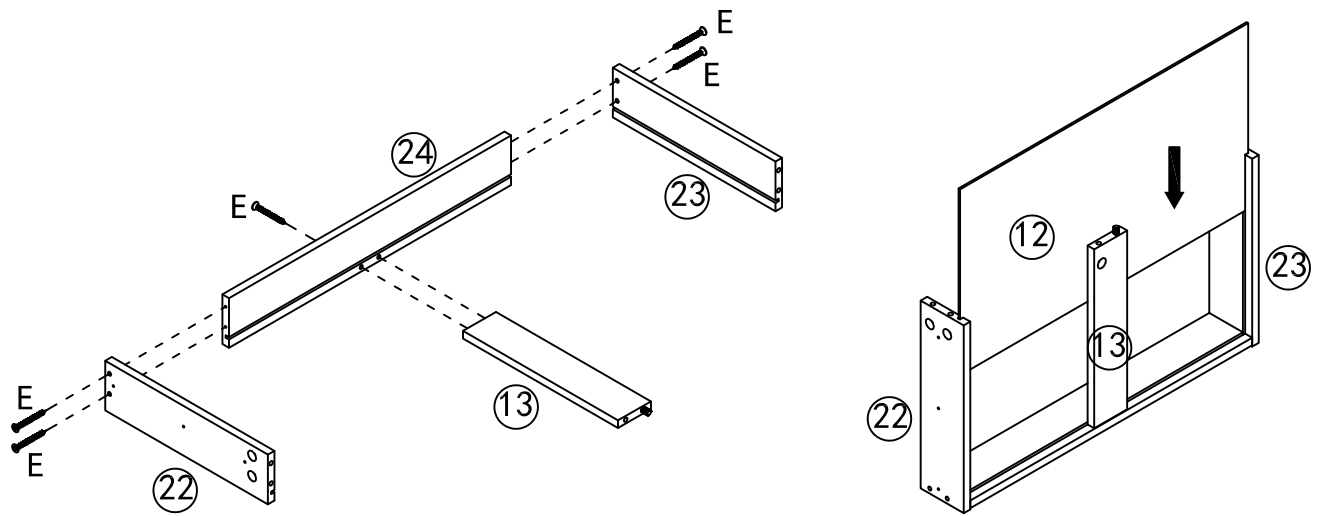
# STEP 21



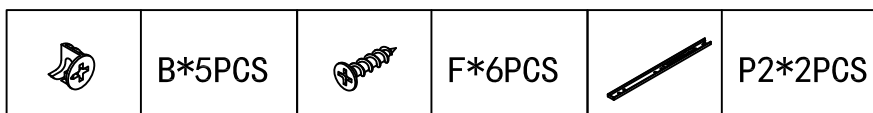
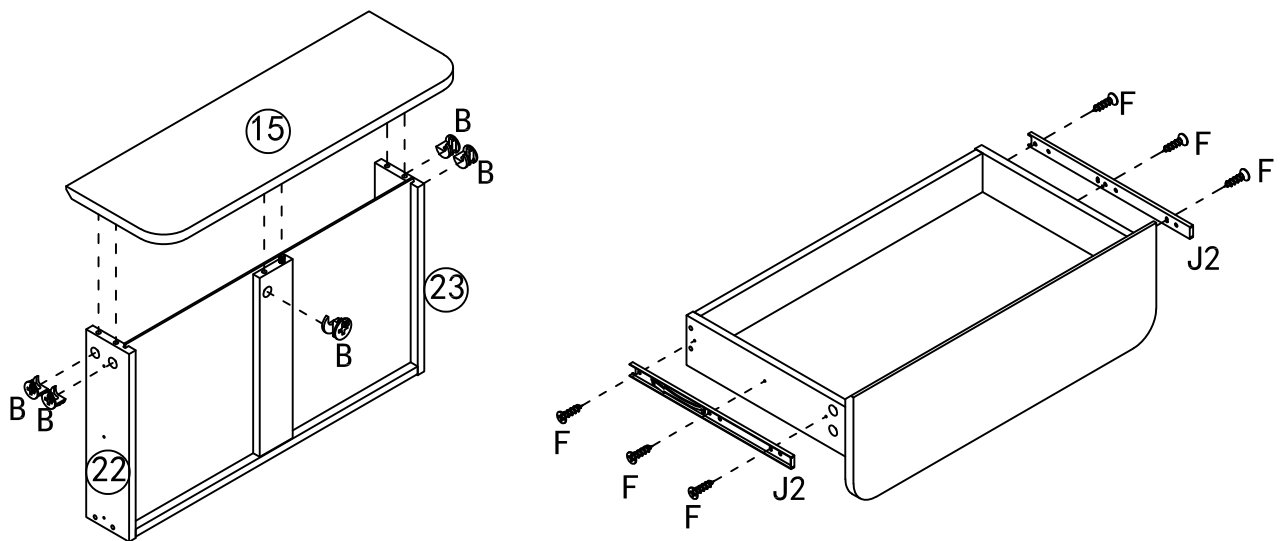
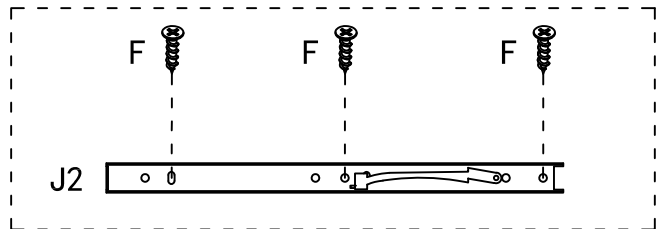
# STEP 22



# STEP 23



# STEP 24



# STEP 25

