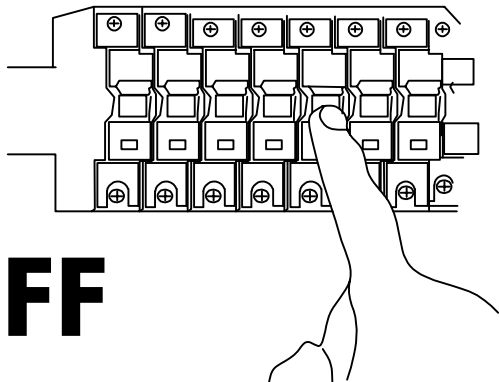


Installation sequence

1



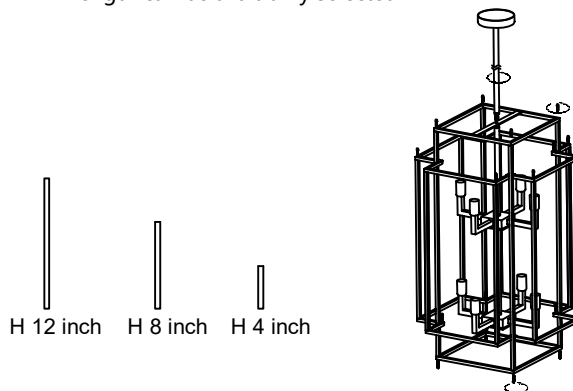
OFF

STEPS

Turn off the power

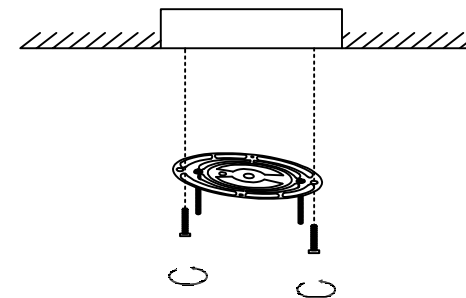
2

- 1.Assemble the lamp body
- 2.The lamp body is fixed with a connecting rod, and the length can be arbitrarily selected



After assembling the lamp body, connecting rod and chassis, Continue to install the hanging plate, As shown in the figure

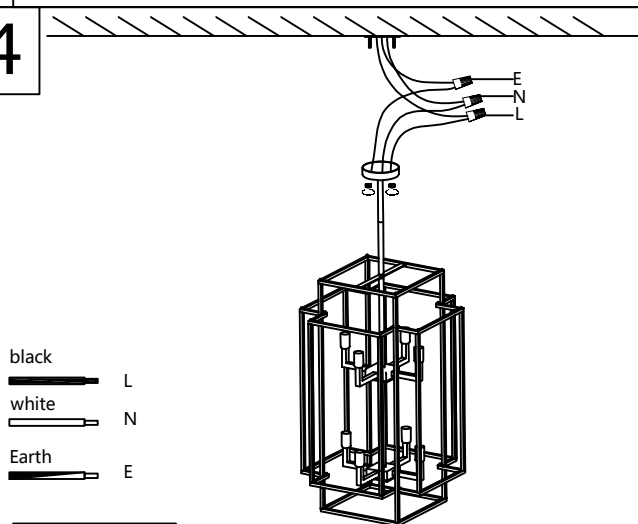
3



STEPS

Install the hanging board on the ceiling, and then proceed to the next step, as shown in Figure 4

4

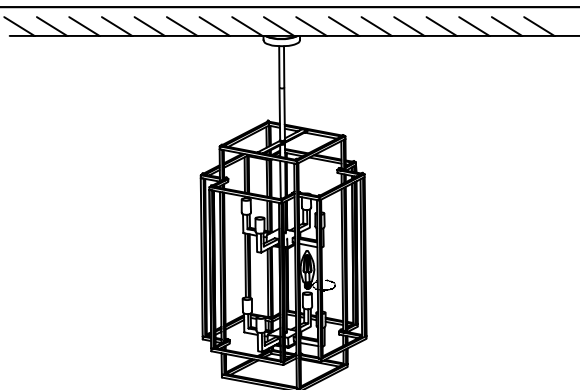


black — L
white — N
Earth — E

STEPS

- 1.Connect the power cord of the lamp body to the reserved power supplyCable, pay attention to the positive and negative poles
- 2.Fix the lamp body on the wall with nuts

5



STEPS

- 1.Screw on the light source, hang the crystal, and refer to the Pearl drawing for hanging metho
- 2.Screw on the bulb

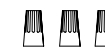
Advertencia:

Advertencia:

- 1.Voltage: 110V-130V
- 2.Bulb Model: E12 / MAX-40W
- 3.Before installation, please check whether the accessories are complete,If you have any problem, please contact our customer service in time
- 4.Before installation, please cut off the power supply to prevent electric shock.
- 5.Please be sure the installation according to the company's instructions.



Screw



Wire connector



Instruction