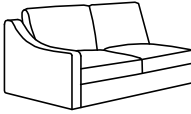
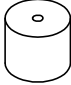
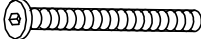
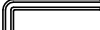


# ASSEMBLY INSTRUCTION

## LSF 2- SEATER

LEGS AND HARDWARE ARE STORED IN THE BOTTOM OF THE SEAT, PLEASE TAKE OUT FOR ASSEMBLY.

NO.	PARTS LIST	QTY	DESCRIPTION
A		1	LSF 2- SEATER

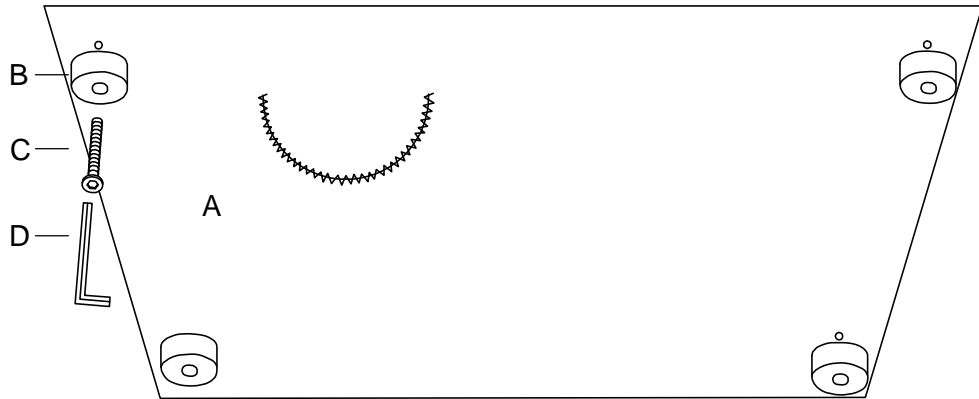
NO.	HARDWARE LIST	QTY	DESCRIPTION
B	 80*80*50mm	4	WOODEN LEGS
C	 M8*60mm	4	BOLT
D	 M5*100*38mm	1	ALLEN KEY

# ASSEMBLY INSTRUCTION

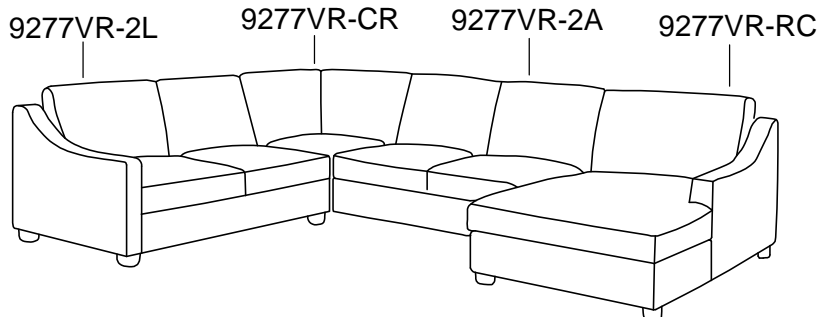
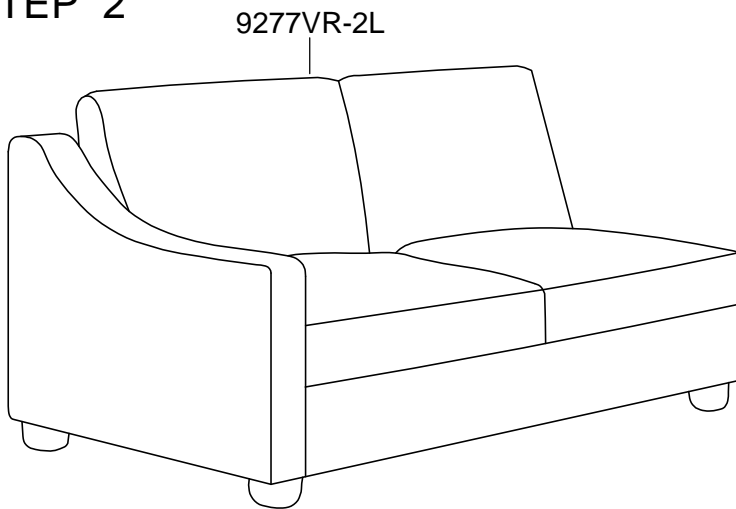
## LSF 2- SEATER

### STEP 1

PARTS INSIDE



### STEP 2



### CARE INSTRUCTION FOR FABRIC FURNITURE

In order to maintain the original appearance of your fabric furniture, please follow below simple care procedures.


°Avoid exposing furniture directly to sunlight or heating and air conditioning outlets. Exposure to sunlight or heating and air conditioning outlets will fade/damage fabric.

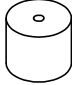
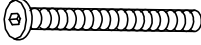

°Wipe gently with a damp soft cloth to remove dust, dirt and any grime build up.

# ASSEMBLY INSTRUCTION

## RSF CHAISE

LEGS AND HARDWARE ARE STORED IN THE BOTTOM OF THE SEAT, PLEASE TAKE OUT FOR ASSEMBLY.

NO.	PARTS LIST	QTY	DESCRIPTION
A		1	RSF CHAISE

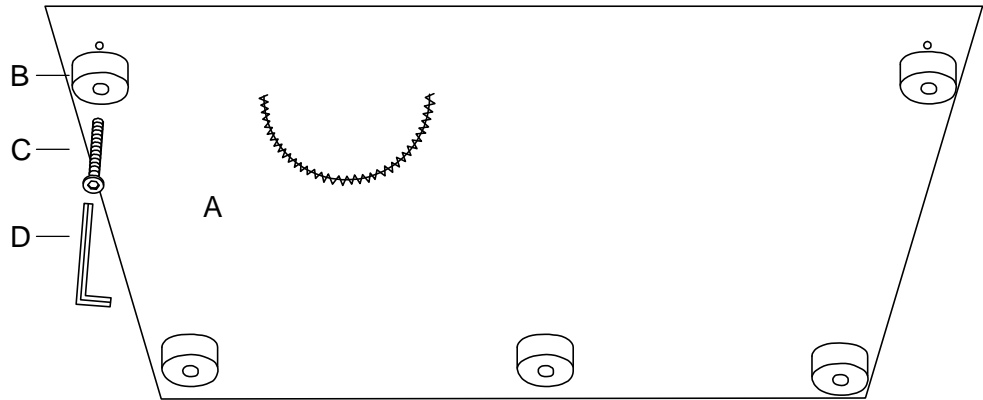
NO.	HARDWARE LIST	QTY	DESCRIPTION
B	 80*80*50mm	5	WOODEN LEGS
C	 M8*60mm	5	BOLT
D	 M5*100*38mm	1	ALLEN KEY

# ASSEMBLY INSTRUCTION

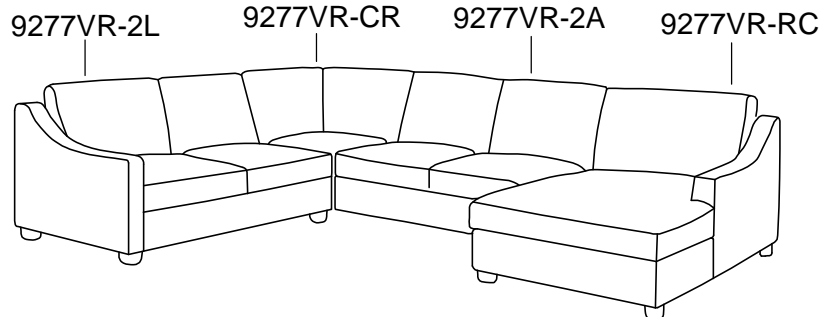
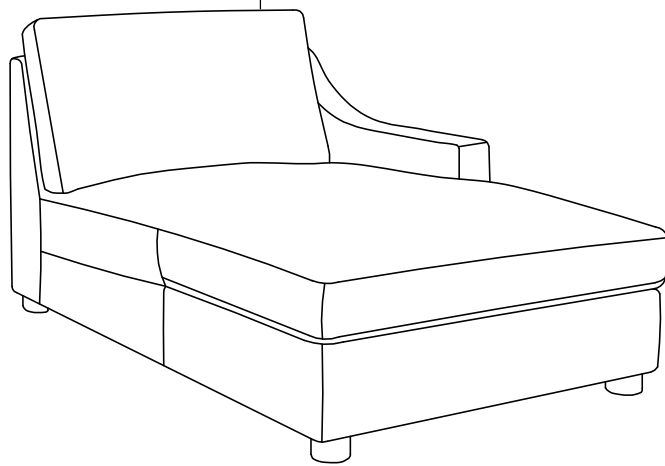
## RSF CHAISE

### STEP 1

PARTS INSIDE



### STEP 2



### CARE INSTRUCTION FOR FABRIC FURNITURE

In order to maintain the original appearance of your fabric furniture, please follow below simple care procedures.

°Avoid exposing furniture directly to sunlight or heating and air conditioning outlets. Exposure to sunlight or heating and air conditioning outlets will fade/damage fabric.

°Wipe gently with a damp soft cloth to remove dust, dirt and any grime build up.