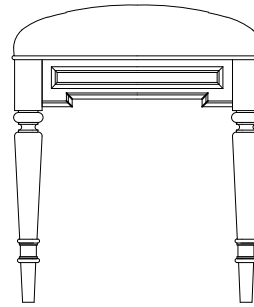


ASSEMBLY INSTRUCTIONS

206-690



TOOLS REQUIRED:

Wrench (supplied, part # A)

BEFORE YOU START:

1. Check the parts against the parts list to make sure all items are present.
2. Assemble your furniture on a soft, flat surface to avoid scratching the finish.
3. CAUTION: Do not over tighten screws, nuts or bolts during assembly.
4. Your furniture may require occasional tightening.

INSTRUCTIONS:

1. Turn the stool on the smooth and clean soft surface.
2. Attach Legs to seat frame using Nut (B), Bolt (C), Lock washer (D), Flat washer (E) and tighten with Wrench (A). As show in Figure 1.
3. Turn the stool up after assembled.
4. To level the stool, please adjust the levelers accordingly. As show in Figure 2.

Figure 1

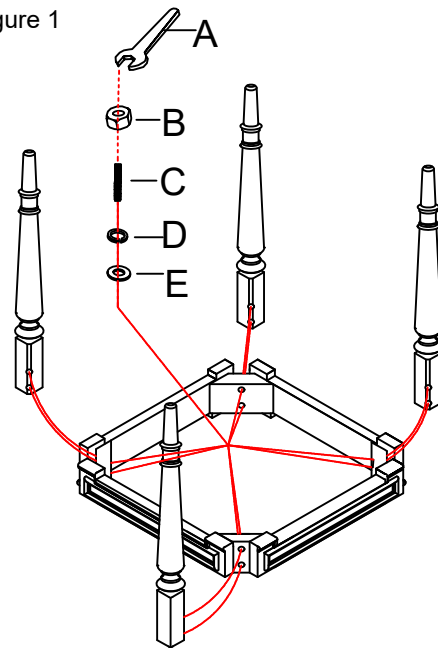
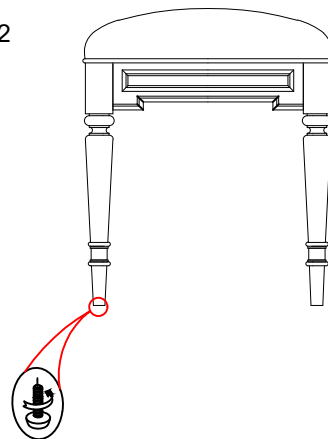


Figure 2



NO	DRAWING	DESCRIPTION	SIZE	Q' ty
A		Wrench	14mm	1pc
B		Nut	ø5/16"*14mm	8pcs
C		Bolt	ø5/16"*65mm	8pcs
D		Lock washer	ø5/16"	8pcs
E		Flat washer	ø5/16"*22mm	8pcs